



US00D595782S

(12) **United States Design Patent**
Whitfield

(10) **Patent No.:** **US D595,782 S**
(45) **Date of Patent:** **** Jul. 7, 2009**

(54) **TRANSPARENT INDICIA HOLDER FOR GOLF CARTS**

(76) Inventor: **Richard Whitfield**, 7407 SE. Hill Ter., Hobe Sound, FL (US) 33455

(**) Term: **14 Years**

(21) Appl. No.: **29/306,234**

(22) Filed: **Apr. 4, 2008**

(51) **LOC (9) Cl.** **20-03**

(52) **U.S. Cl.** **D20/43**

(58) **Field of Classification Search** D34/27;
D21/385, 771; 40/771, 124.01, 661, 302,
40/661.03, 661.08, 642.01, 642.02, 643,
40/649, 658.1, 1.5, 1.6; D20/21, 22, 42,
D20/99, 20, 43, 44; D6/300, 310, 311, 314;
D11/78.1; D19/65

See application file for complete search history.

(56) **References Cited**

U.S. PATENT DOCUMENTS

251,966	A *	1/1882	Tait	40/658
2,409,814	A *	10/1946	Vargish	40/745
2,434,860	A *	1/1948	Oxley	248/460
3,086,658	A *	4/1963	Palmer	211/50
3,237,327	A *	3/1966	Griggs	40/643
D220,911	S *	6/1971	McGrady	D6/314
D228,998	S *	11/1973	Rozman	D6/310
D238,528	S *	1/1976	Crawford	D6/314
4,051,615	A *	10/1977	Gosanko et al.	40/661
4,165,572	A *	8/1979	Sussman	40/661
D260,782	S *	9/1981	DeMars	D20/42
D261,013	S *	9/1981	DeMars	D20/42
4,301,608	A *	11/1981	Taylor, Jr.	40/661
4,449,310	A *	5/1984	Kline	40/658
4,685,701	A *	8/1987	Amundson et al.	281/42
4,699,303	A *	10/1987	Kline	224/667

D298,553	S *	11/1988	Zobitz	D20/43
D311,457	S *	10/1990	Shapiro	D6/314
5,050,830	A *	9/1991	Hall	248/205.2
D384,655	S *	10/1997	Knoop	D19/91
5,979,097	A *	11/1999	Moore	40/769
6,006,459	A *	12/1999	Kosmach	40/200
6,430,857	B1 *	8/2002	Nagel	40/661
6,484,429	B1 *	11/2002	Przylucki	40/661.08
D494,631	S *	8/2004	Douziech	D20/42
D527,426	S *	8/2006	Mason	D20/43
D543,591	S *	5/2007	Simasko	D20/43
7,281,344	B2 *	10/2007	Knauf	40/649
D573,657	S *	7/2008	Caterinacci	D20/43
2003/0182836	A1 *	10/2003	Rodrigues et al.	40/661
2004/0035038	A1 *	2/2004	Pomerantz	40/661
2004/0074127	A1 *	4/2004	Schneider	40/661
2005/0081417	A1 *	4/2005	Valiulis	40/661

* cited by examiner

Primary Examiner—Cynthia E Ramirez
(74) *Attorney, Agent, or Firm*—McHale & Slavin, P.A.

(57) **CLAIM**

The ornamental design for a transparent indicia holder for golf carts, as shown and described.

DESCRIPTION

FIG. 1 is a front elevation view of the transparent indicia holder for golf carts of the instant invention;
FIG. 2 is a rear elevation view of the instant invention;
FIG. 3 is a top plan view of the instant invention;
FIG. 4 is a bottom plan view of the instant invention;
FIG. 5 is a right side view of the instant invention, the left side being a mirror image thereof; and,
FIG. 6 is a perspective view of the instant invention.

1 Claim, 1 Drawing Sheet

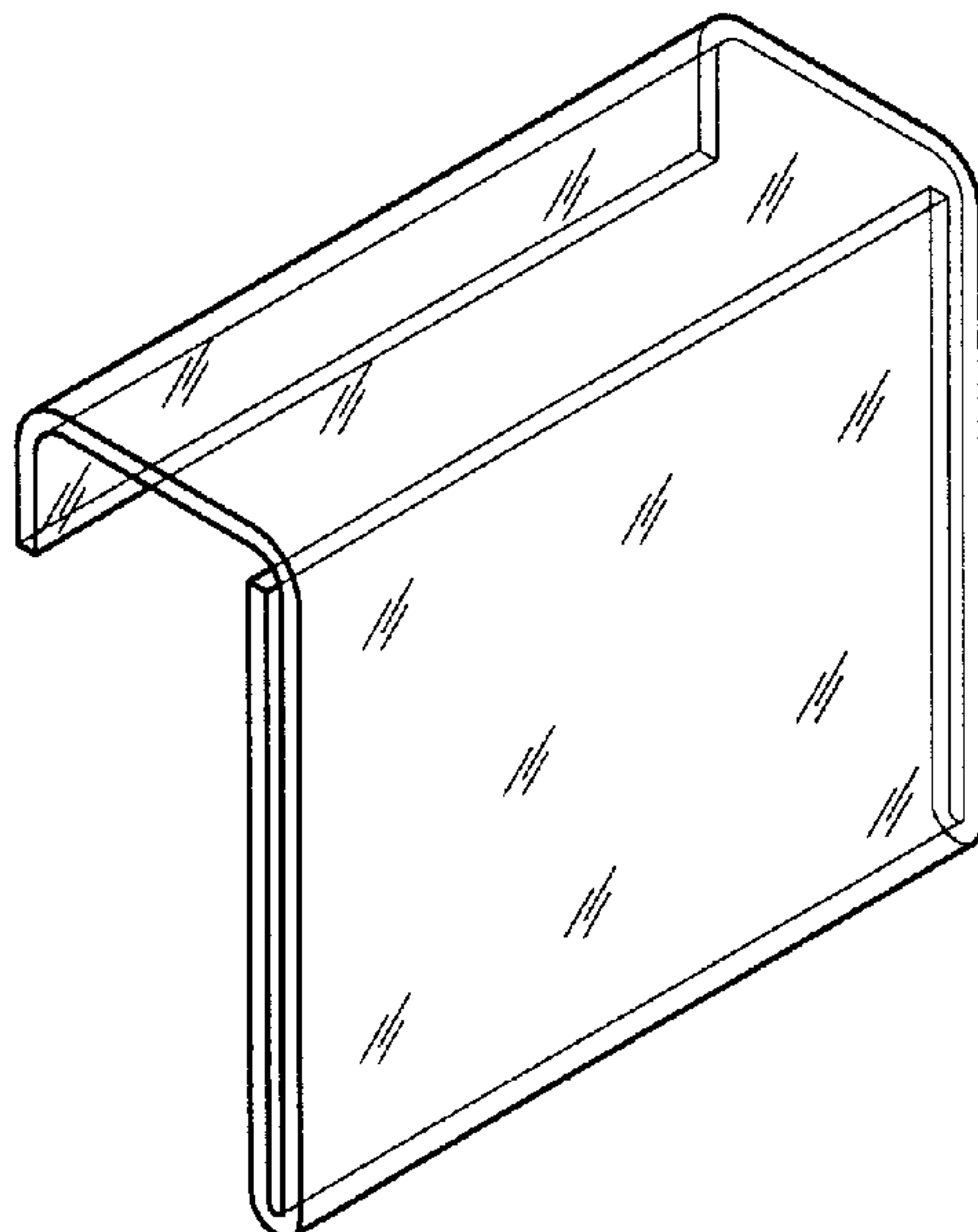


FIG. 1

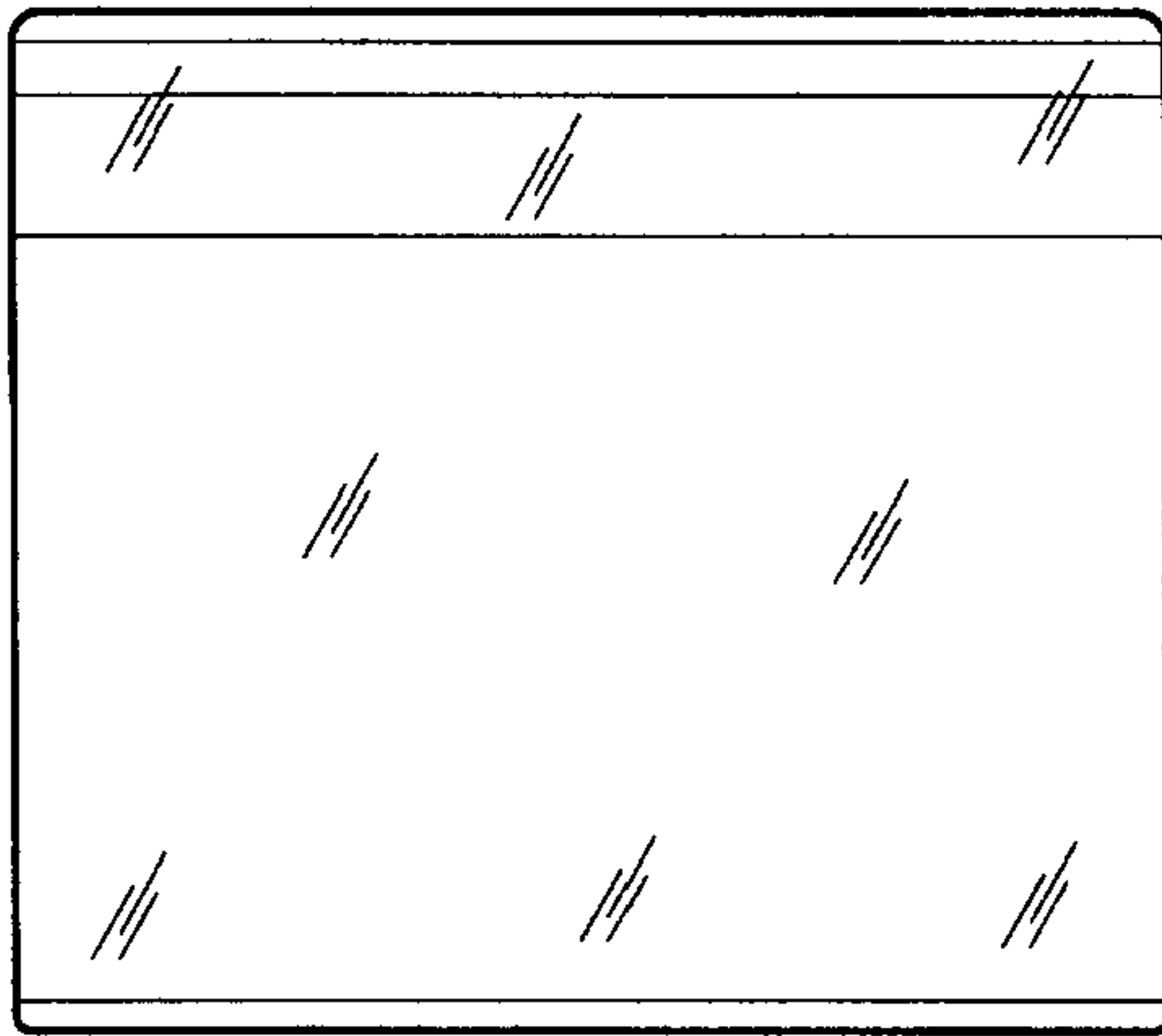


FIG. 2

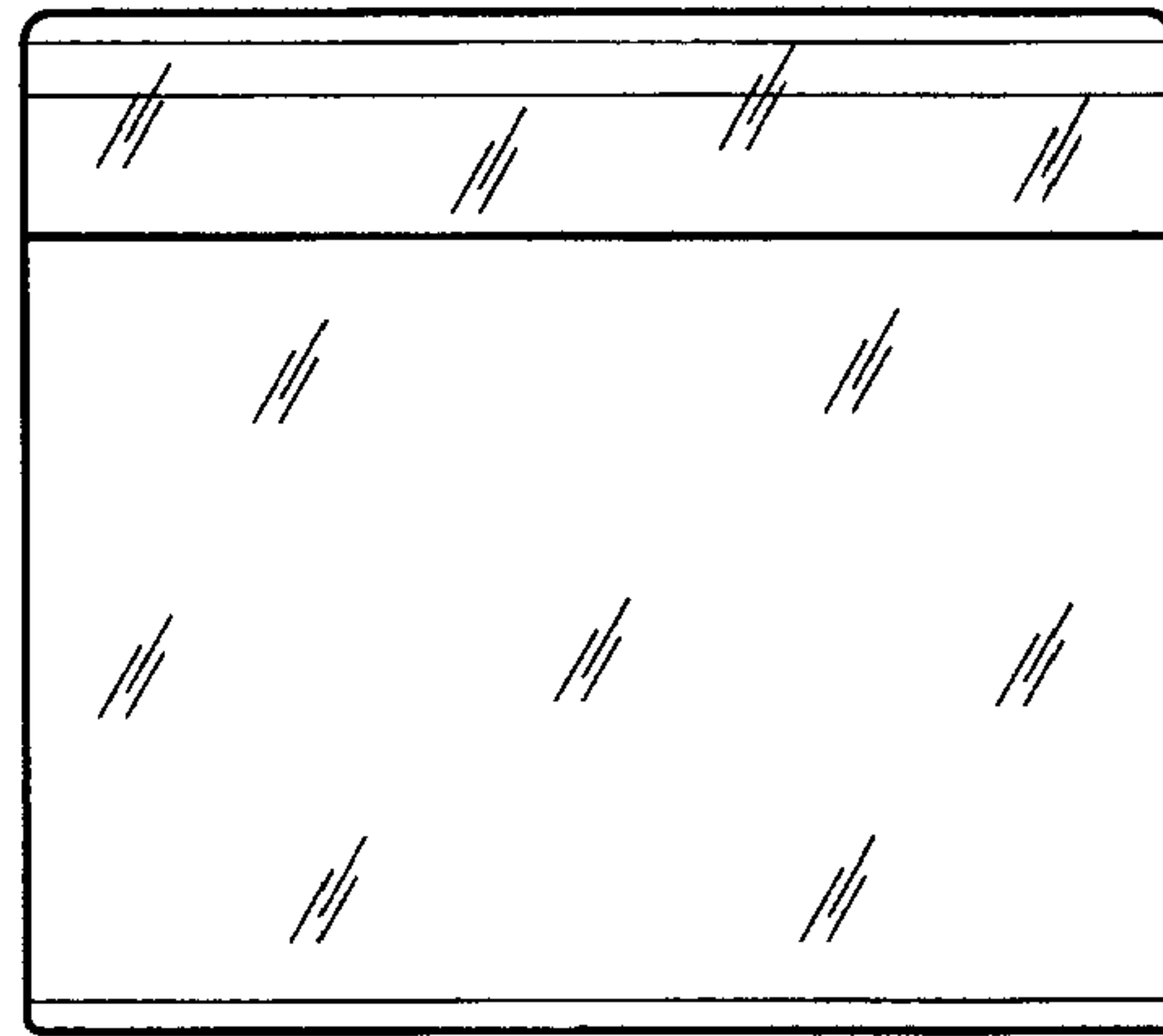


FIG. 3

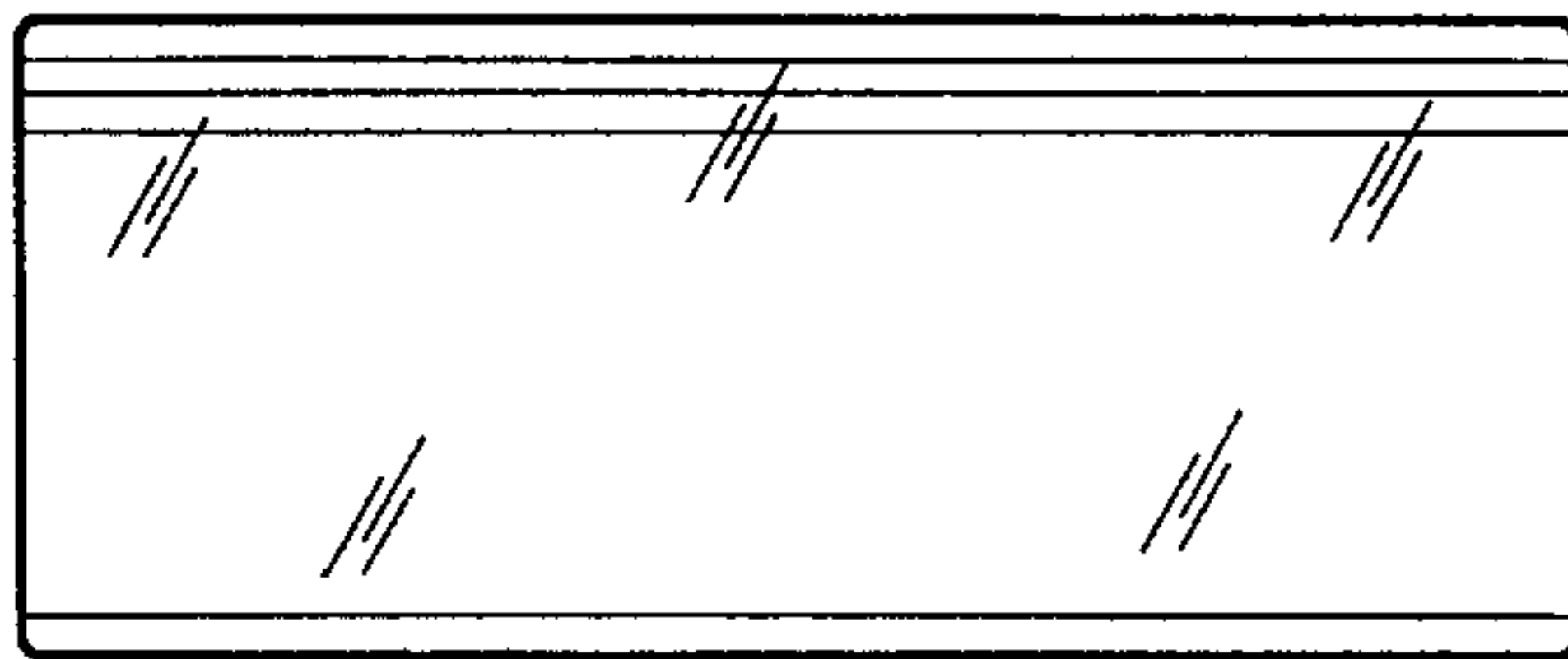


FIG. 4

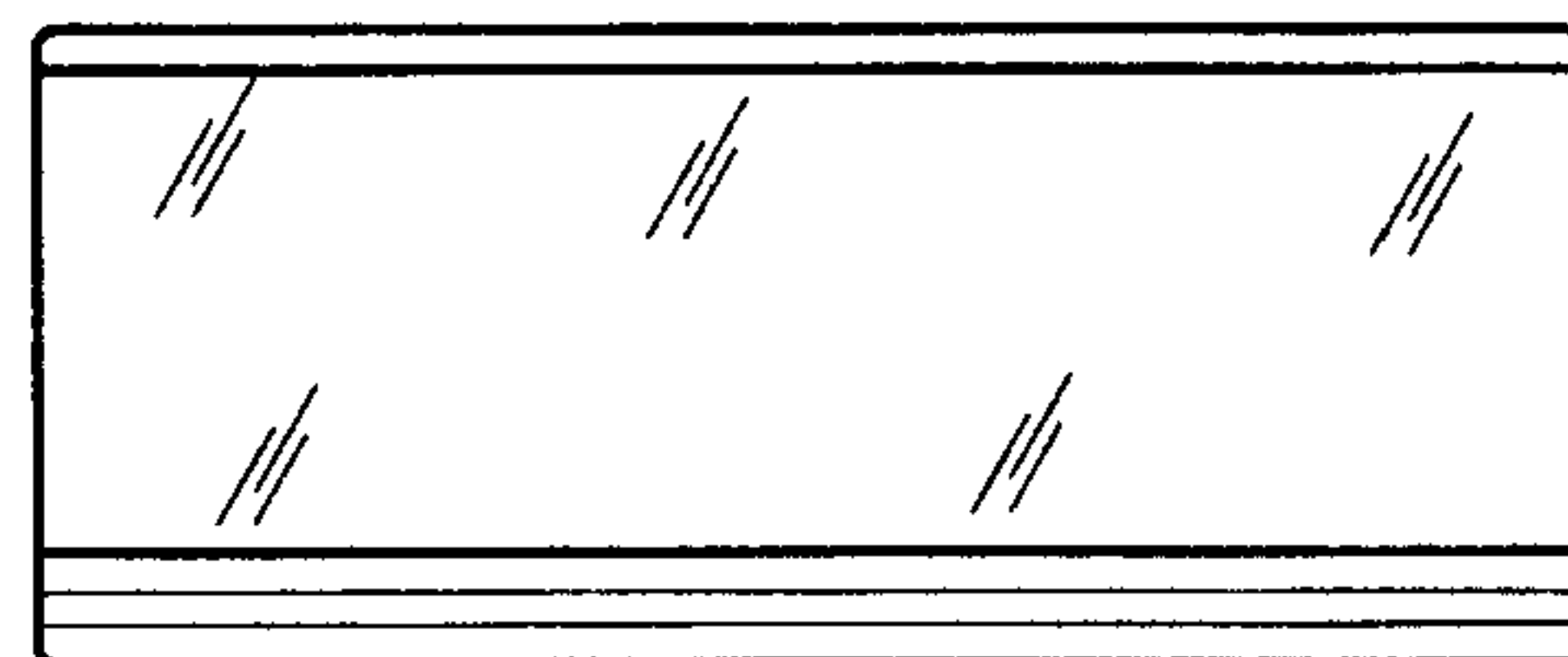


FIG. 5

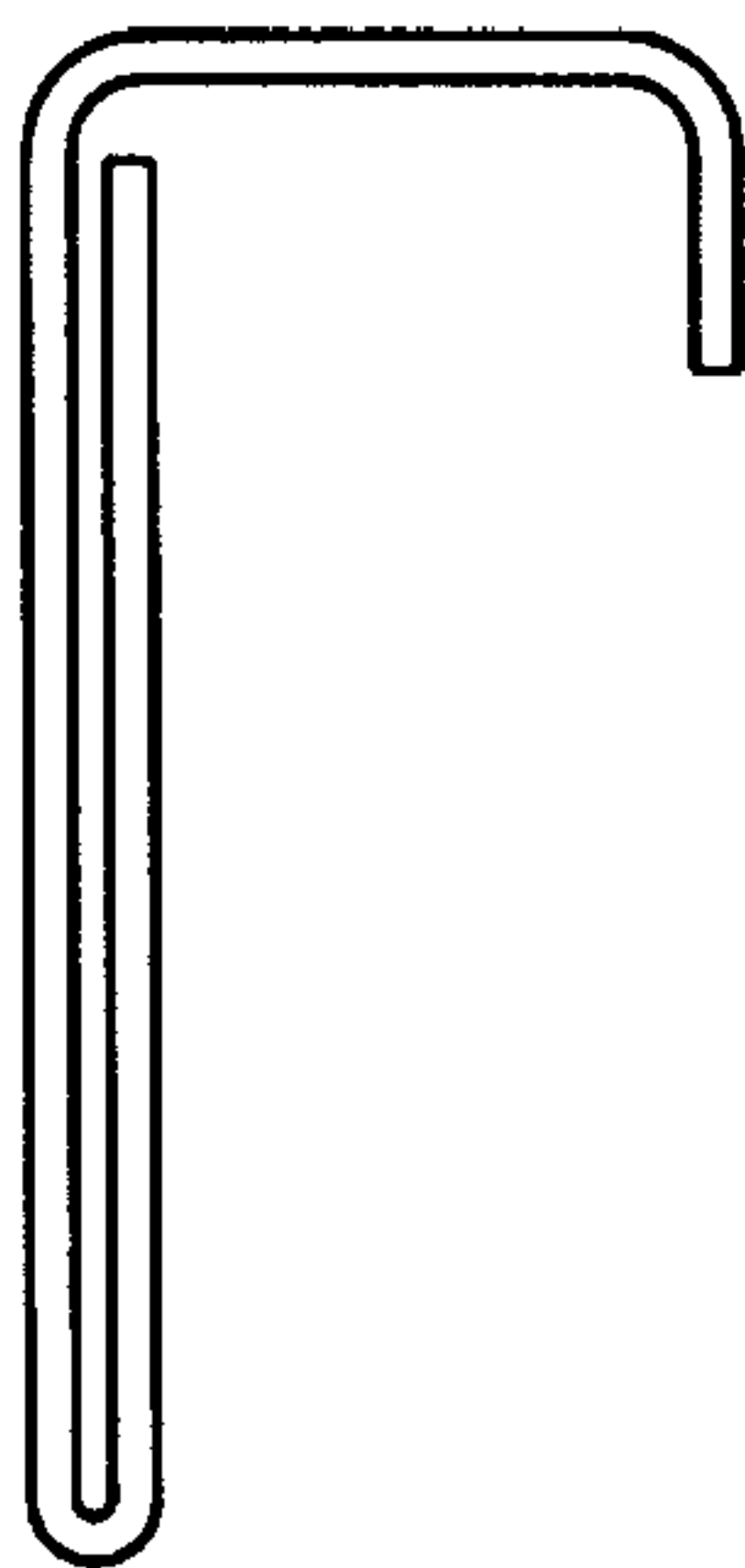


FIG. 6

