

US00D595774S

(12) **United States Design Patent**  
**Kouda**

(10) **Patent No.:** **US D595,774 S**  
(45) **Date of Patent:** **\*\* Jul. 7, 2009**

(54) **COATING FILM TRANSFER APPARATUS**

(75) Inventor: **Yoshinori Kouda**, Tokyo (JP)

(73) Assignee: **Tombow Pencil Co. Ltd.**, Tokyo (JP)

(\*\*) Term: **14 Years**

(21) Appl. No.: **29/292,468**

(22) Filed: **Oct. 12, 2007**

(30) **Foreign Application Priority Data**

Apr. 19, 2007 (JP) ..... 2007-010474

(51) **LOC (9) Cl.** ..... **19-02**

(52) **U.S. Cl.** ..... **D19/69**

(58) **Field of Classification Search** ..... D19/66,  
D19/67, 68, 69, 70; 156/523, 257, 540, 577;  
206/411; 225/6, 25, 39, 77; 242/588, 588.1,  
242/588.2, 588.3, 588.6, 5

See application file for complete search history.

(56) **References Cited**

U.S. PATENT DOCUMENTS

- D355,934 S \* 2/1995 Oga et al. .... D19/69
- D421,059 S \* 2/2000 Shimizu ..... D19/69
- D424,619 S \* 5/2000 Katami ..... D19/69
- D436,625 S \* 1/2001 Katami ..... D19/69
- D446,246 S \* 8/2001 Kimura ..... D19/69
- D456,450 S \* 4/2002 Kimura ..... D19/69
- D476,035 S \* 6/2003 Katami ..... D19/69
- D494,221 S \* 8/2004 Suzuki ..... D19/69
- D498,498 S \* 11/2004 Ono ..... D19/69
- D524,373 S \* 7/2006 Kimura ..... D19/69
- D527,766 S \* 9/2006 Mitsui et al. .... D19/69
- D543,239 S \* 5/2007 Suzuki ..... D19/69
- D555,200 S \* 11/2007 Ono ..... D19/69
- D559,911 S \* 1/2008 Kai et al. .... D19/69
- D559,912 S \* 1/2008 Kai et al. .... D19/69
- D571,402 S \* 6/2008 Kai et al. .... D19/69

- D574,431 S \* 8/2008 Kouda ..... D19/69
- D577,771 S \* 9/2008 Kouda ..... D19/69
- 2005/0155717 A1 \* 7/2005 Mitsui et al. .... 156/577

\* cited by examiner

*Primary Examiner*—Cathron C Brooks

*Assistant Examiner*—Austin Murphy

(74) *Attorney, Agent, or Firm*—Scott D. Wofsy; Edwards Angell Palmer & Dodge LLP

(57) **CLAIM**

The ornamental design of a coating film transfer apparatus, as is shown and described.

**DESCRIPTION**

The subject invention is directed to the ornamental design of a coating film transfer apparatus for applying an adhesive film or correction film to a substrate surface, as shown and described in the accompanying drawings, wherein portions of the coating film transfer apparatus shown in broken lines form no part of the claimed design, wherein:

FIG. 1 is a front view of the coating film transfer apparatus of the subject invention;

FIG. 2 is a rear view of the coating film transfer apparatus of the subject invention;

FIG. 3 is a top view of the coating film transfer apparatus of the subject invention;

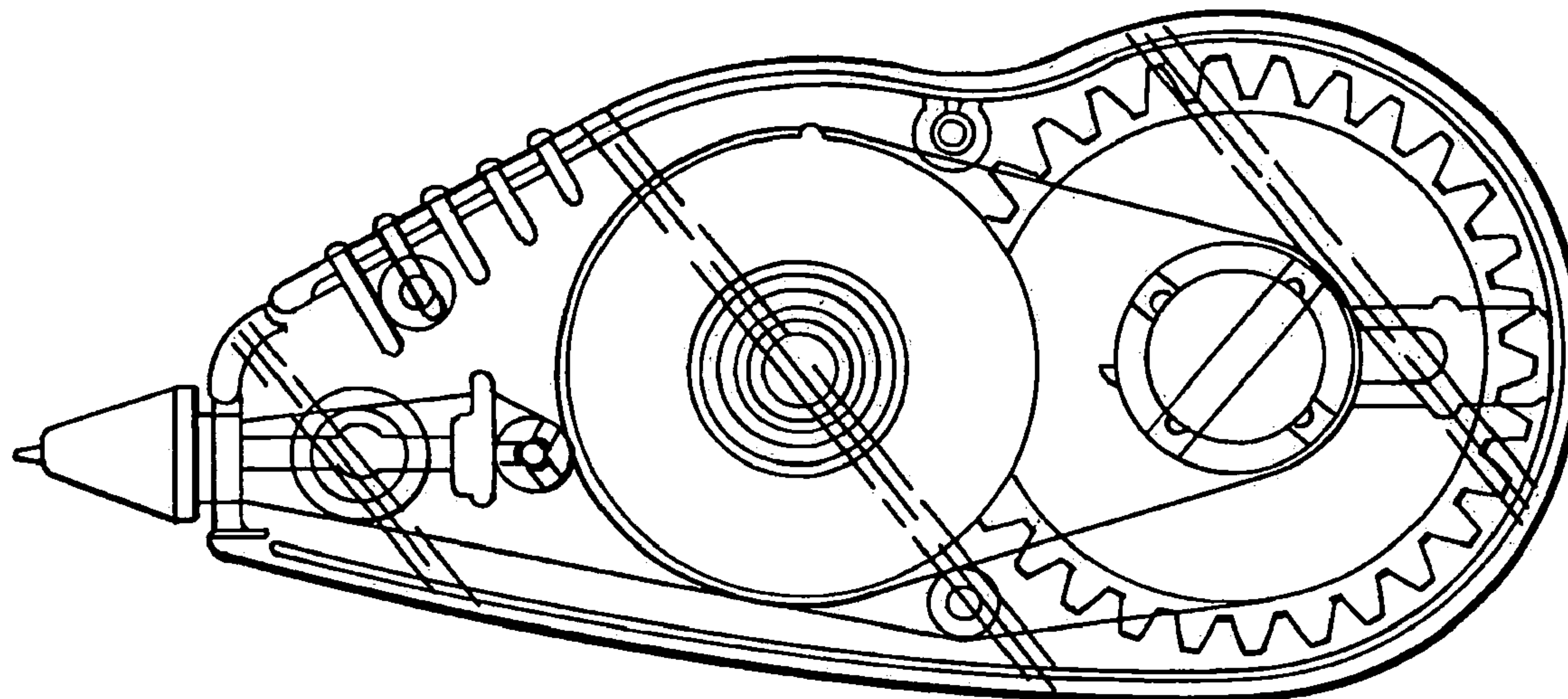
FIG. 4 is a bottom view of the coating film transfer apparatus of the subject invention;

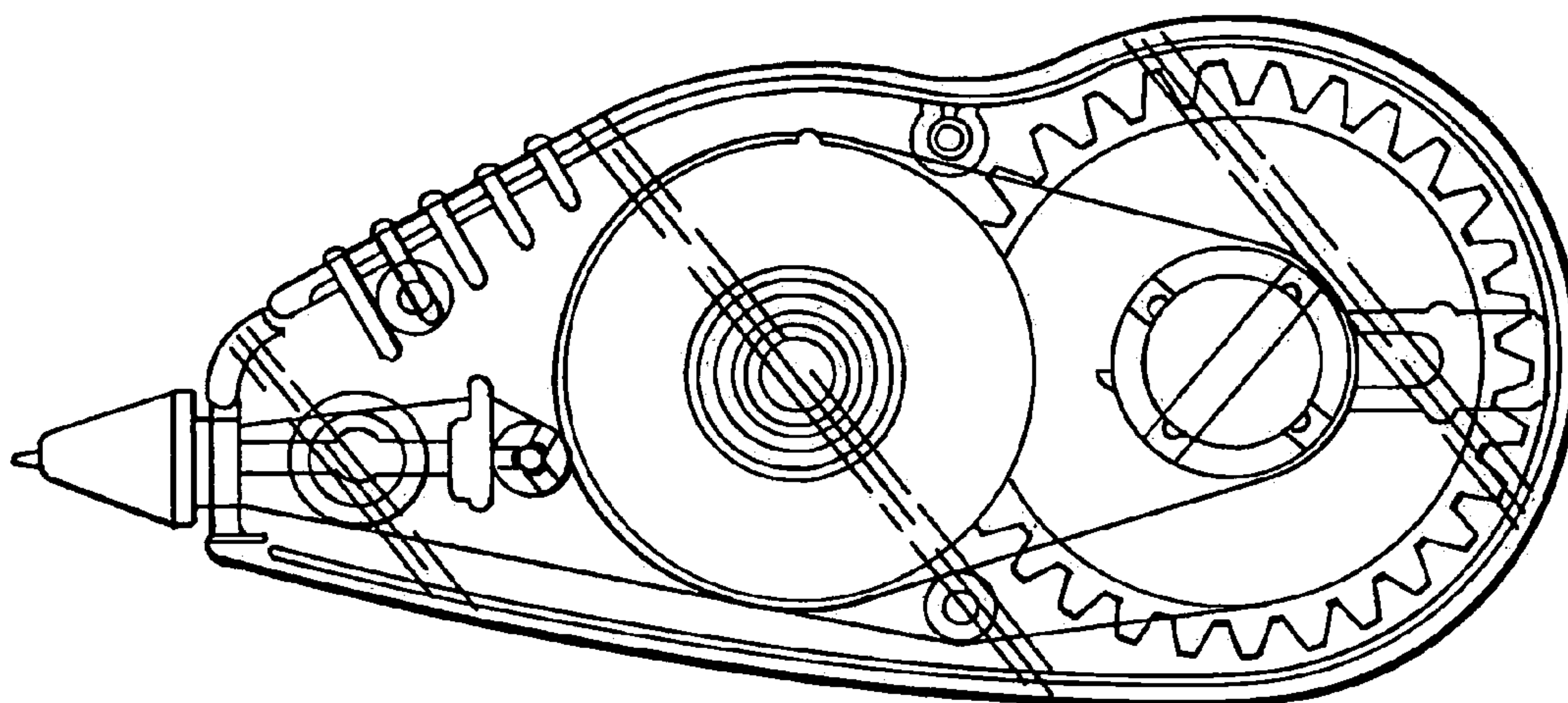
FIG. 5 is a left side view of the coating film transfer apparatus of the subject invention;

FIG. 6 is a right side view of the coating film transfer apparatus of the subject invention; and,

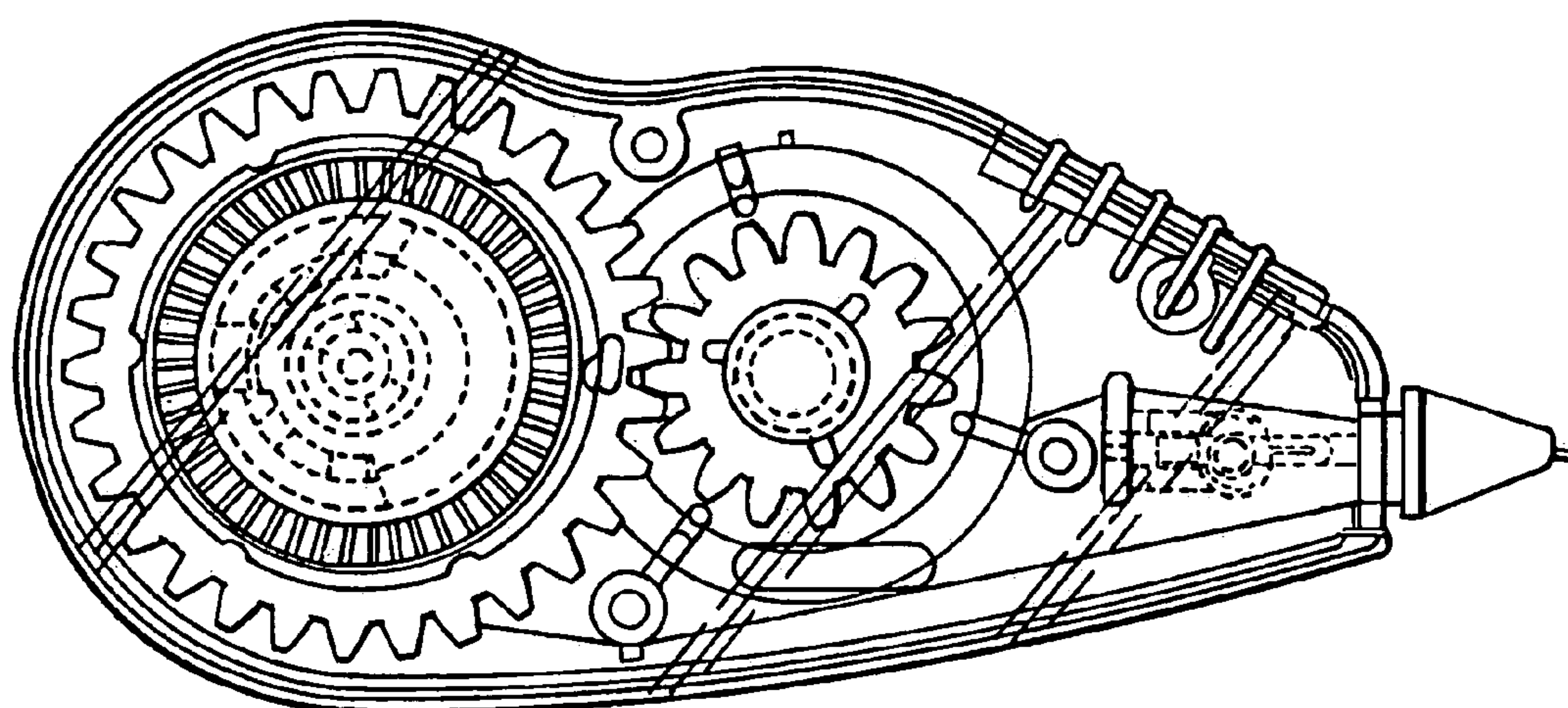
FIG. 7 is a perspective view of the coating film transfer apparatus of the subject invention.

**1 Claim, 3 Drawing Sheets**

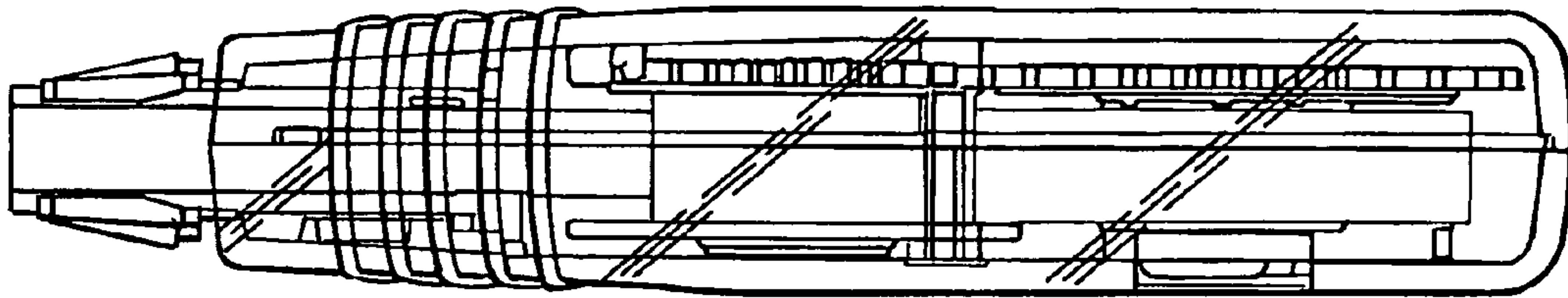




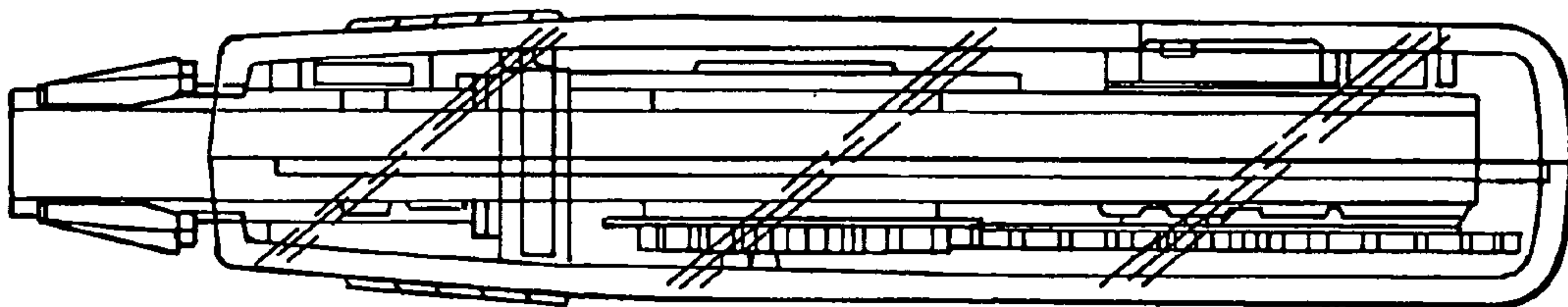
**Fig. 1**



**Fig. 2**

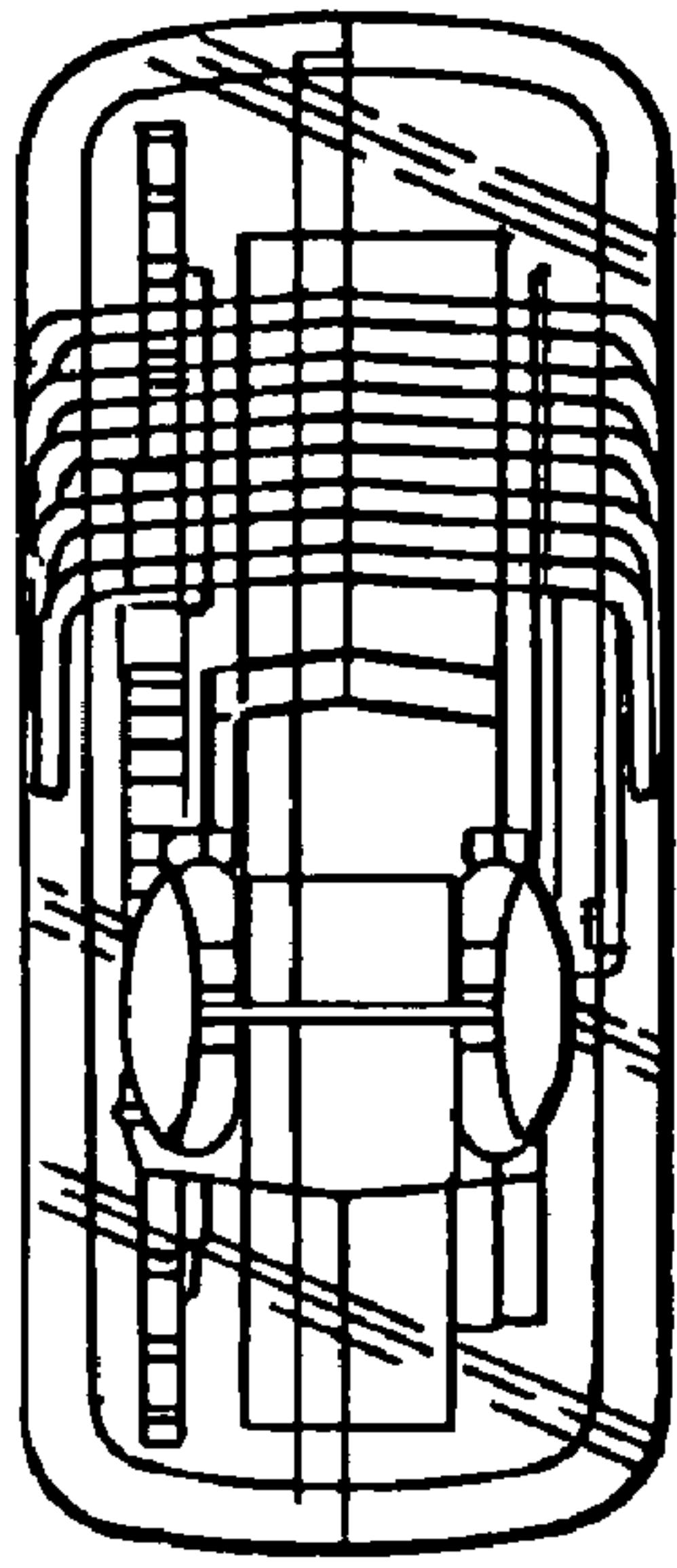


**Fig. 3**

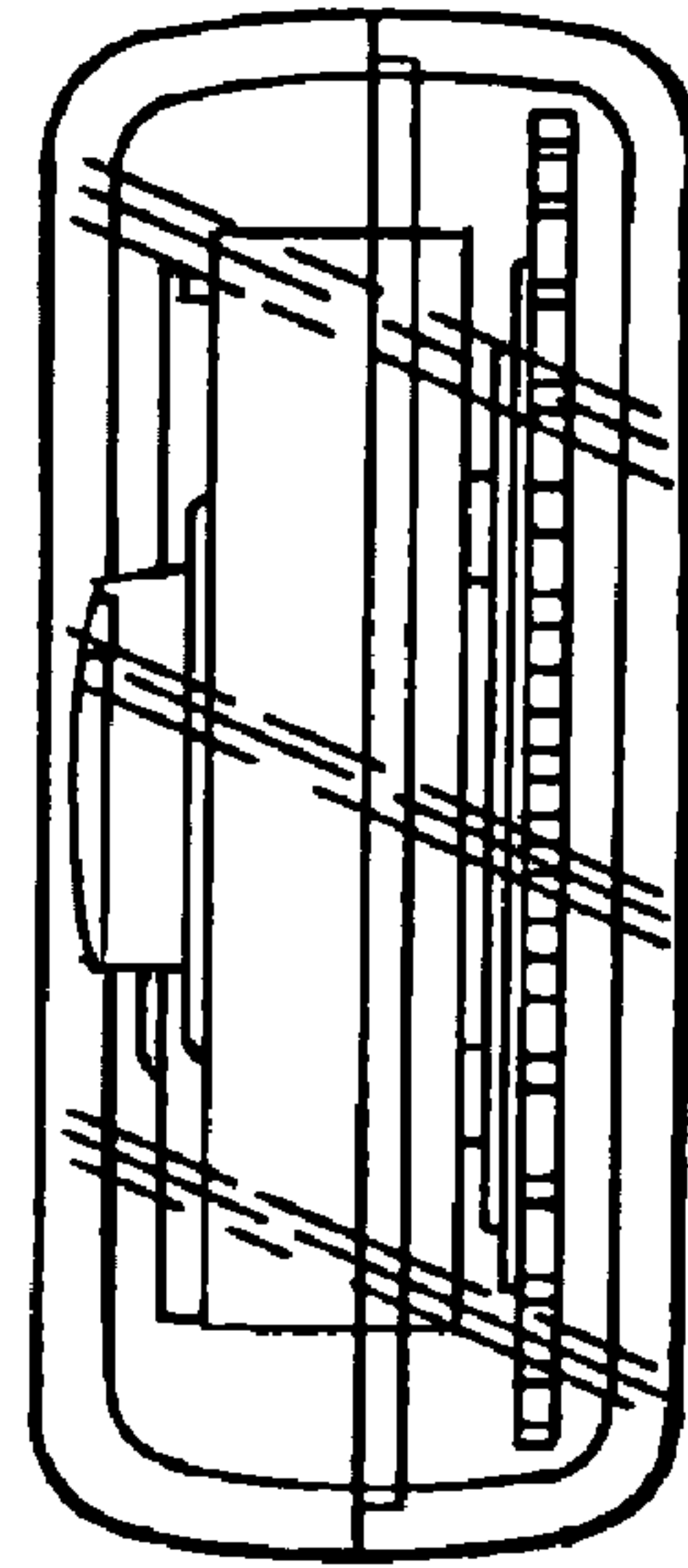


**Fig. 4**

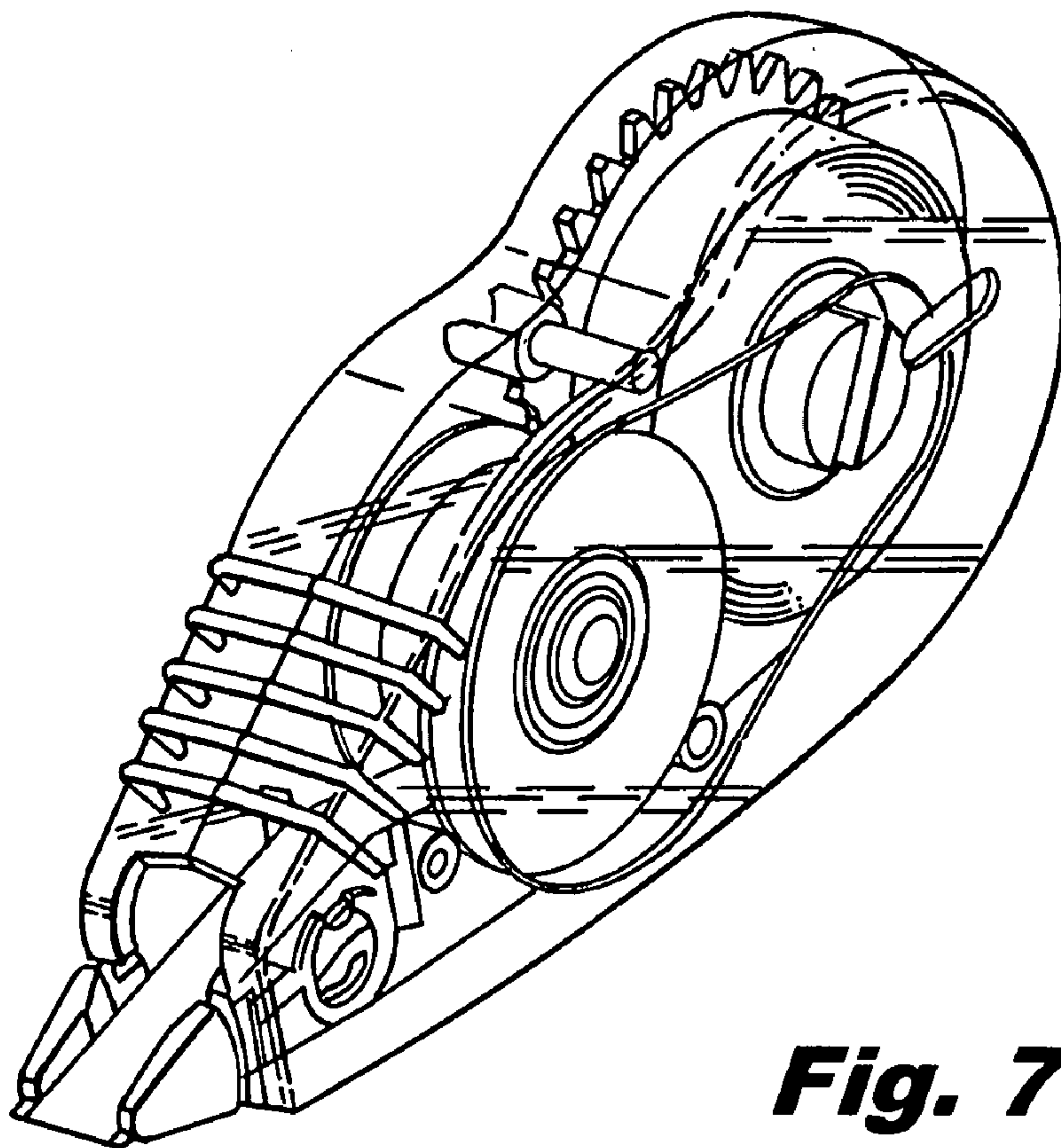




**Fig. 5**



**Fig. 6**



**Fig. 7**