



US00D595768S

(12) **United States Design Patent**  
**Hashimoto**

(10) **Patent No.:** **US D595,768 S**  
(45) **Date of Patent:** **\*\* Jul. 7, 2009**

(54) **INK CARTRIDGE**

(75) Inventor: **Naoyoshi Hashimoto**, Shiojiri (JP)

(73) Assignee: **Seiko Epson Corporation** (JP)

(\*\*) Term: **14 Years**

(21) Appl. No.: **29/308,353**

(22) Filed: **Jun. 11, 2008**

(30) **Foreign Application Priority Data**

Feb. 7, 2008 (JP) ..... 2008-002613

(51) **LOC (9) Cl.** ..... **18-02**

(52) **U.S. Cl.** ..... **D18/56; 347/86**

(58) **Field of Classification Search** ..... D18/40,  
D18/43, 56; 347/86-87

See application file for complete search history.

(56) **References Cited**

**U.S. PATENT DOCUMENTS**

D522,049 S *	5/2006	Ishizawa et al.	.....	D18/56
D524,855 S *	7/2006	Ishizawa et al.	.....	D18/56
D569,421 S *	5/2008	Matsumoto	.....	D18/56
D569,422 S *	5/2008	Matsumoto	.....	D18/56
D571,397 S *	6/2008	Matsumoto	.....	D18/56
D579,492 S *	10/2008	Matsumoto	.....	D18/56
2005/0036015 A1 *	2/2005	Seino et al.	.....	347/86
2005/0052511 A1 *	3/2005	Seino et al.	.....	347/86

**FOREIGN PATENT DOCUMENTS**

JP 01217193 7/2004

JP 01257643 10/2004

**OTHER PUBLICATIONS**

Illustration of "Ink Cartridge for Printer", ASCII, p. 355, vol. 8 (Aug. 1, 1997); JPO Reference No. HA09015028.

\* cited by examiner

*Primary Examiner*—Cathy Anne MacCormac

(74) *Attorney, Agent, or Firm*—Harness, Dickey & Pierce, P.L.C.

(57) **CLAIM**

The ornamental design for an ink cartridge, as shown and described.

**DESCRIPTION**

FIG. 1 is a perspective view of an ink cartridge, as viewed from the front, bottom and left side, embodying my new design;

FIG. 2 is a perspective view thereof, as viewed from the front, top and left side;

FIG. 3 is a front view thereof;

FIG. 4 is a rear view thereof;

FIG. 5 is a left side view thereof;

FIG. 6 is a right side view thereof;

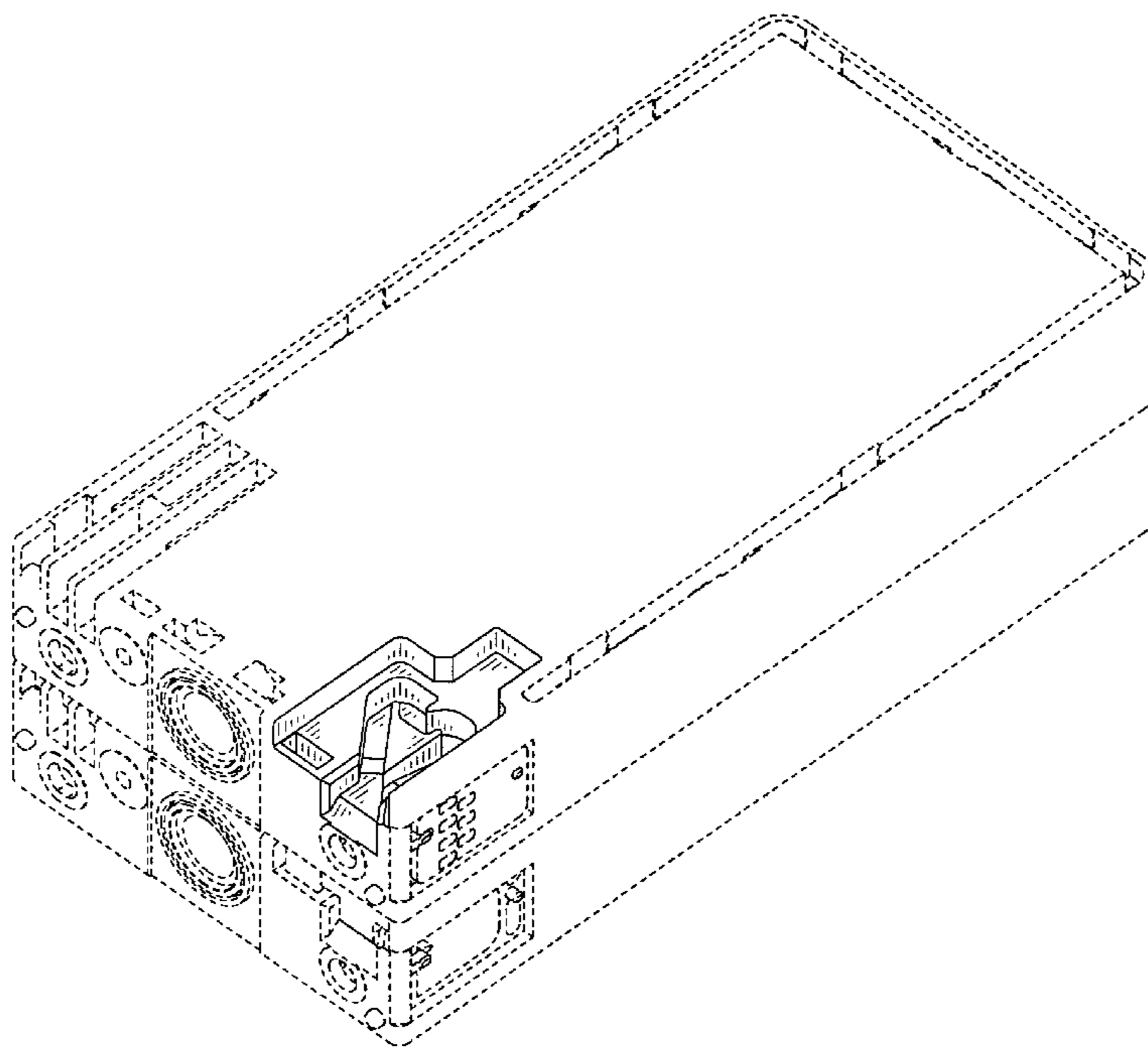
FIG. 7 is a top view thereof;

FIG. 8 is a bottom view thereof; and,

FIG. 9 is an enlarged view of the area A-A' and B-B' in FIG. 3.

The portions shown in broken lines are for illustrative purposes only and form no part of the claimed design.

**1 Claim, 6 Drawing Sheets**



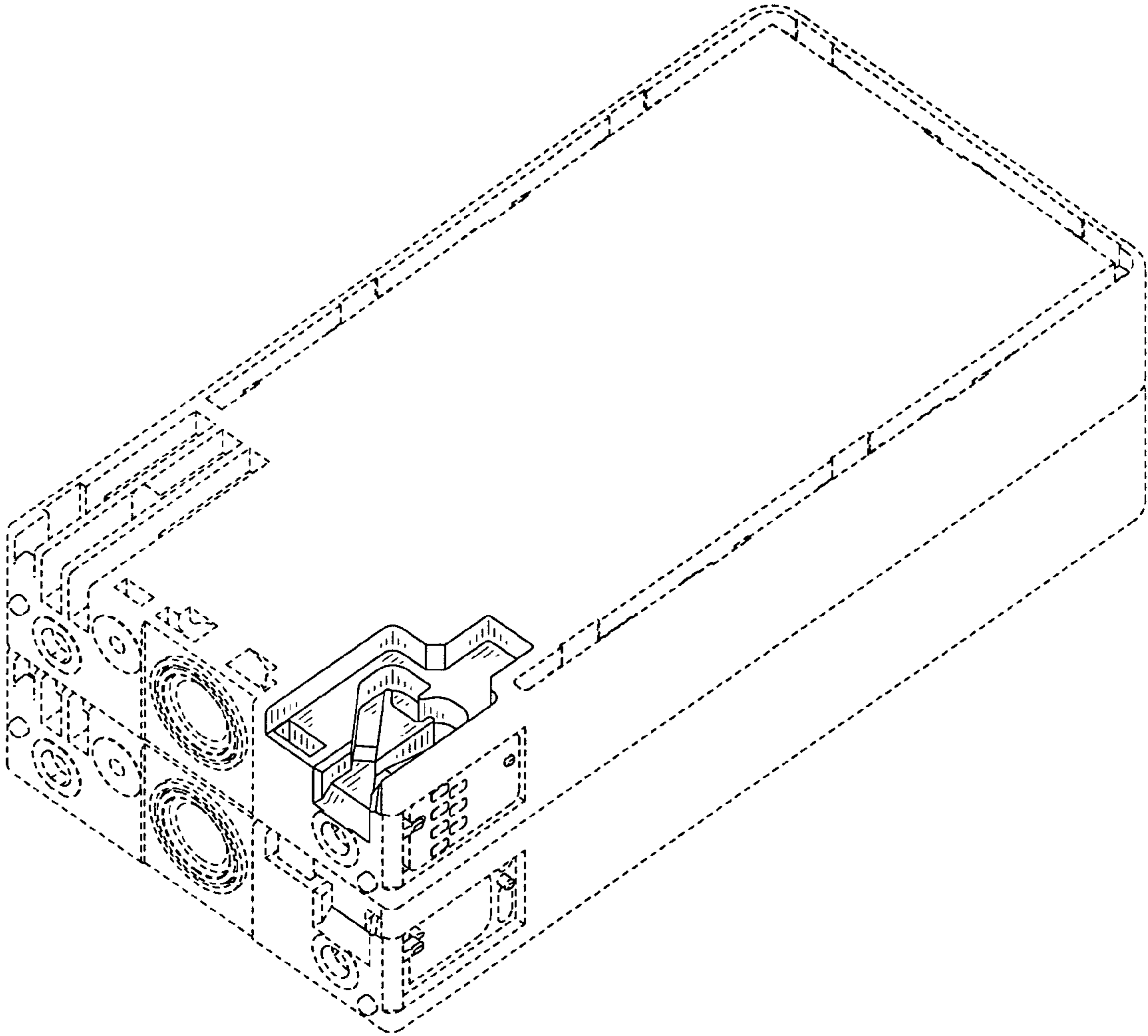


FIG. 1

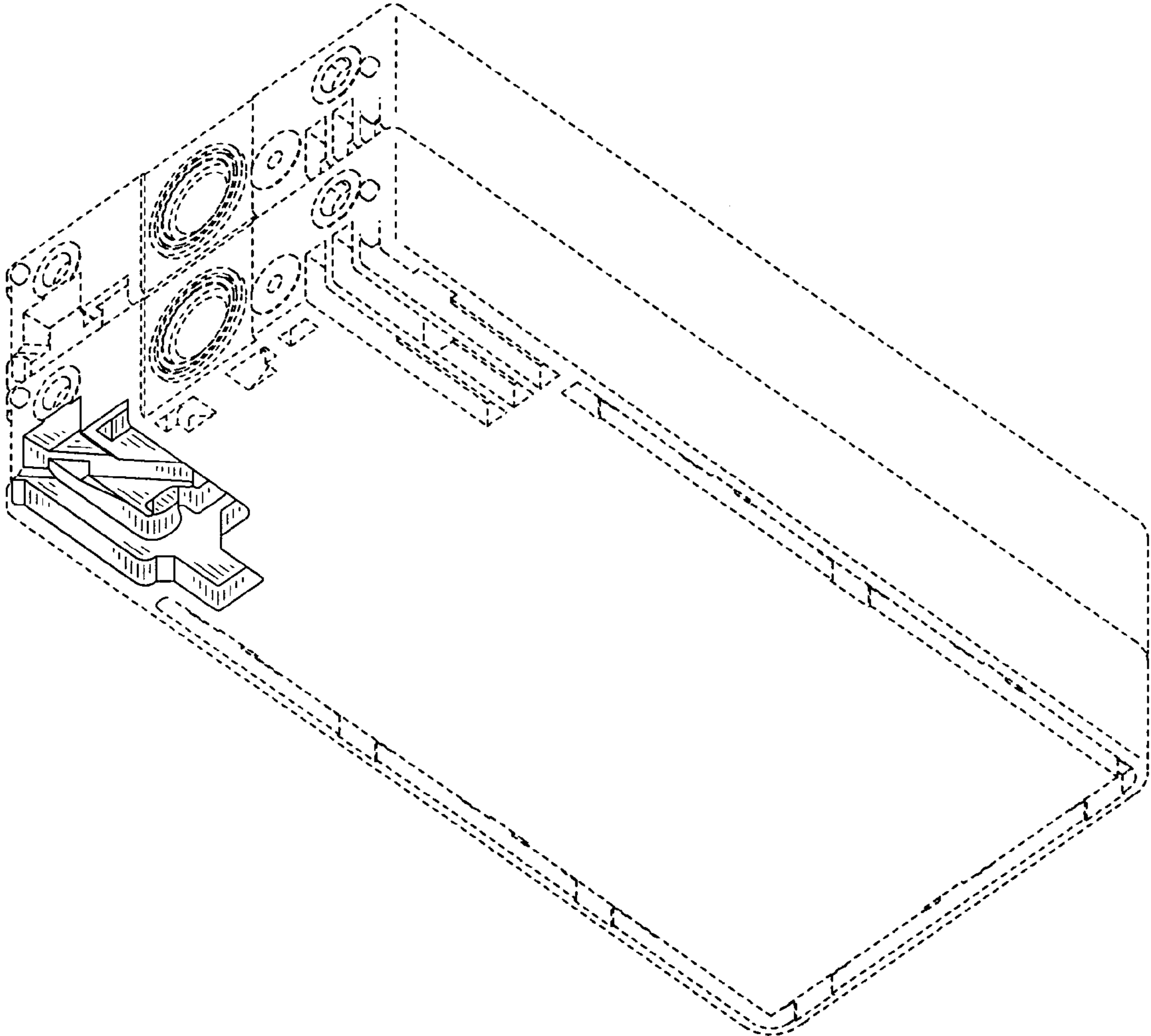


FIG. 2

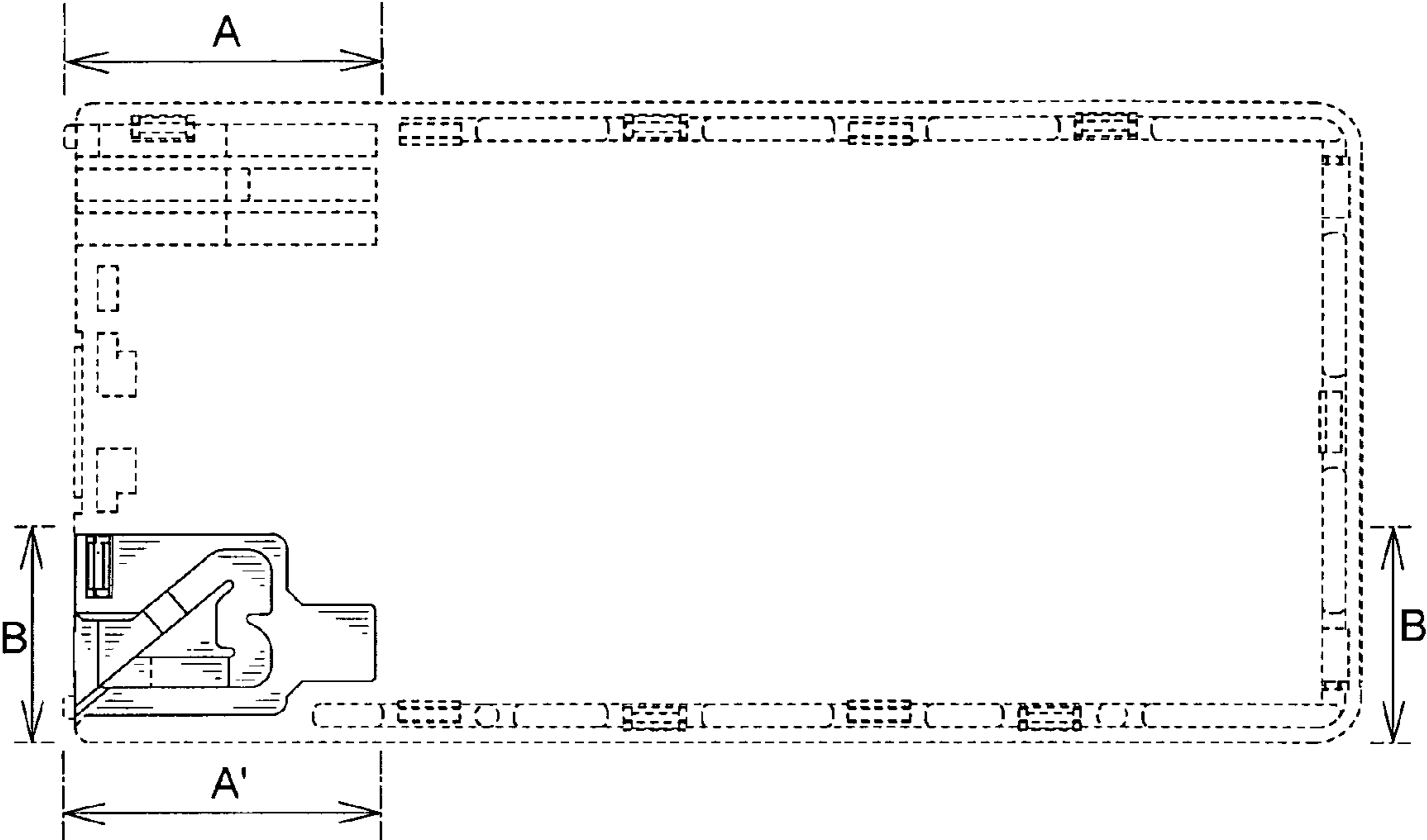


FIG. 3

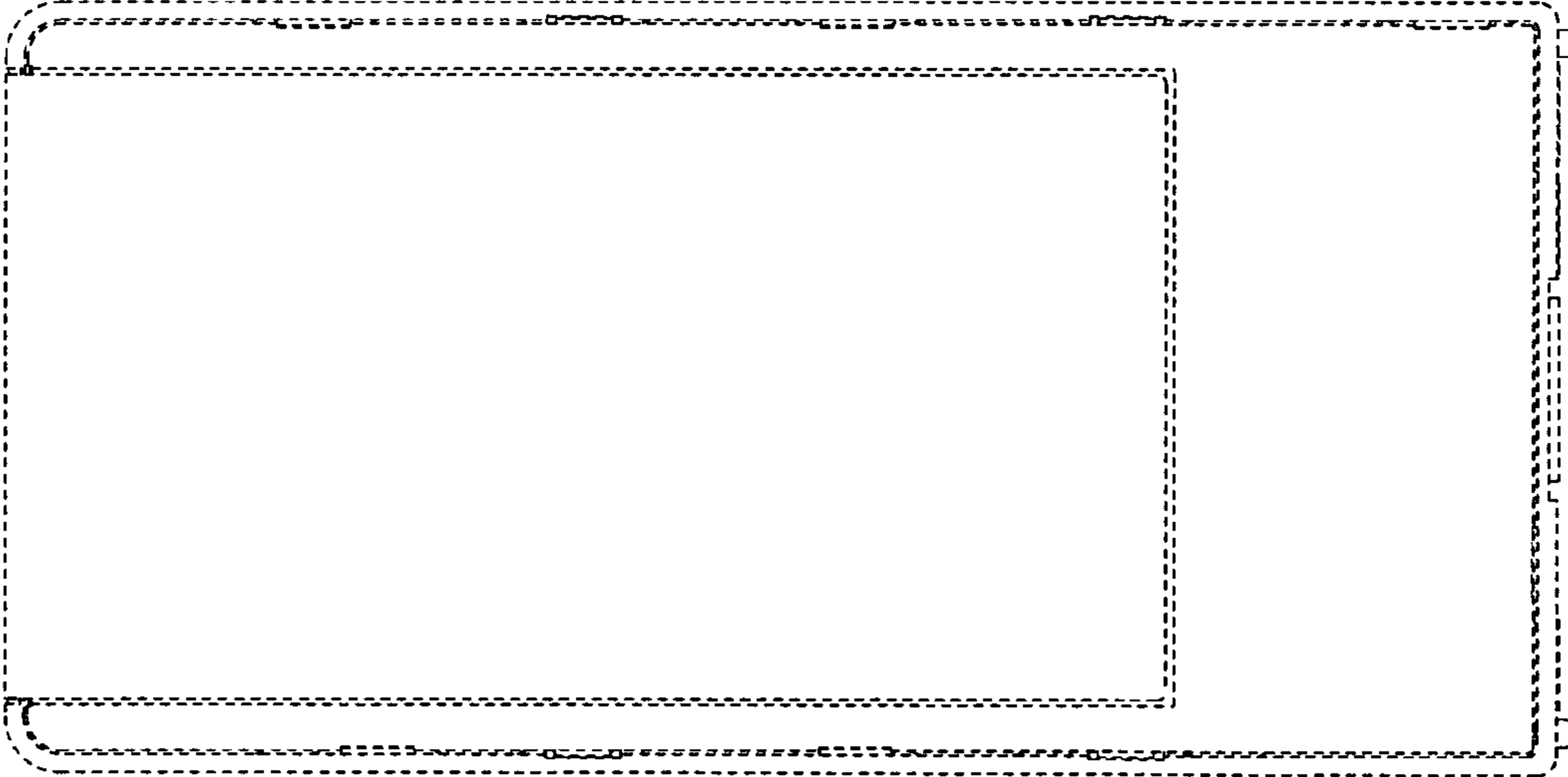


FIG. 4

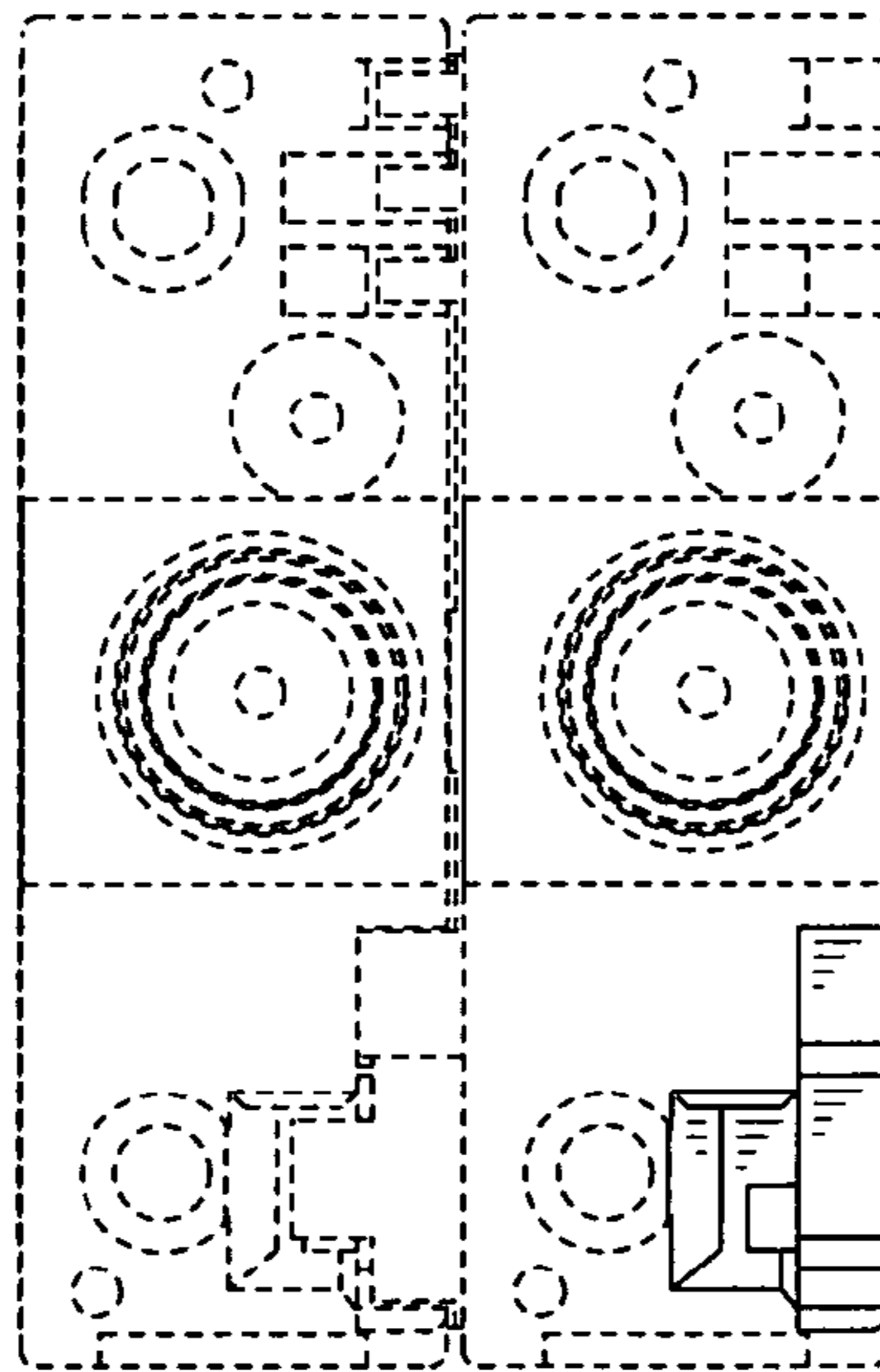


FIG. 5

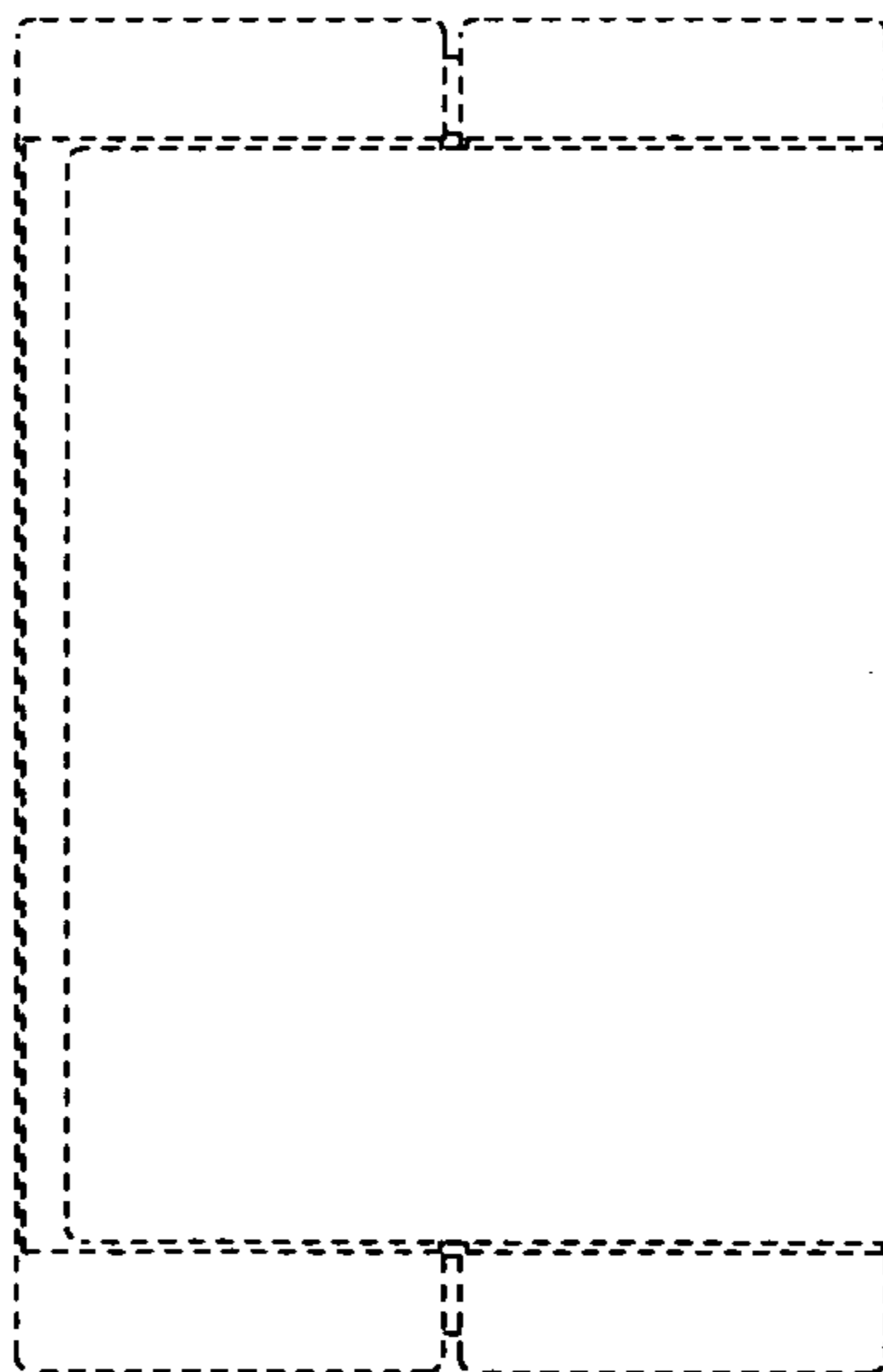


FIG. 6

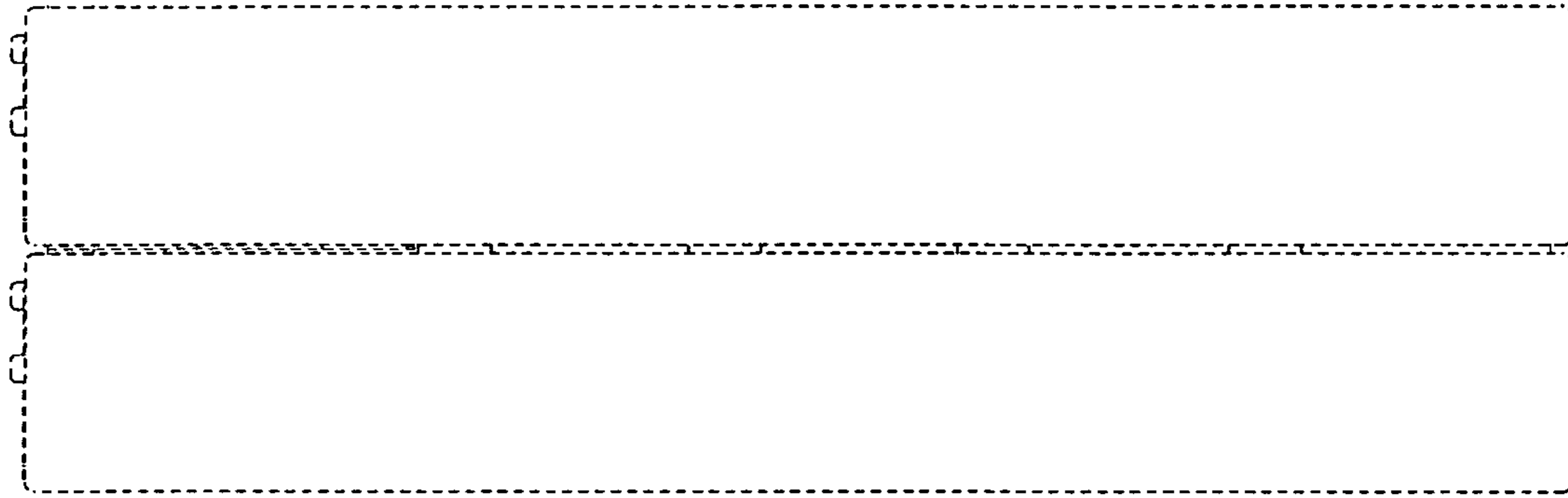


FIG. 7

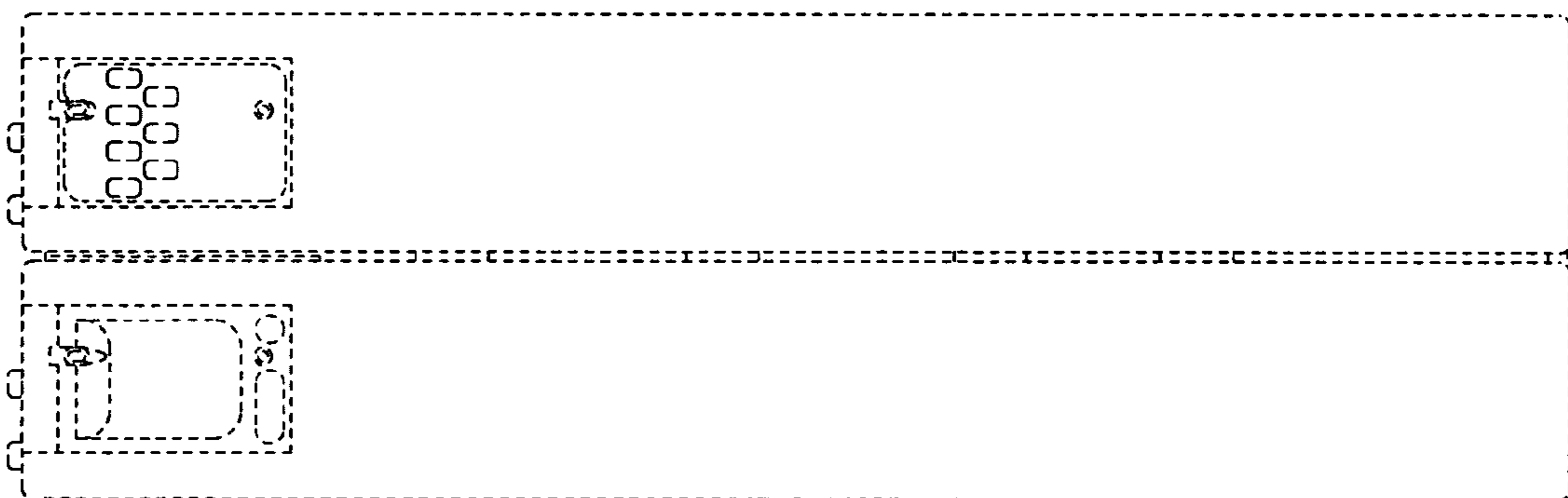


FIG. 8

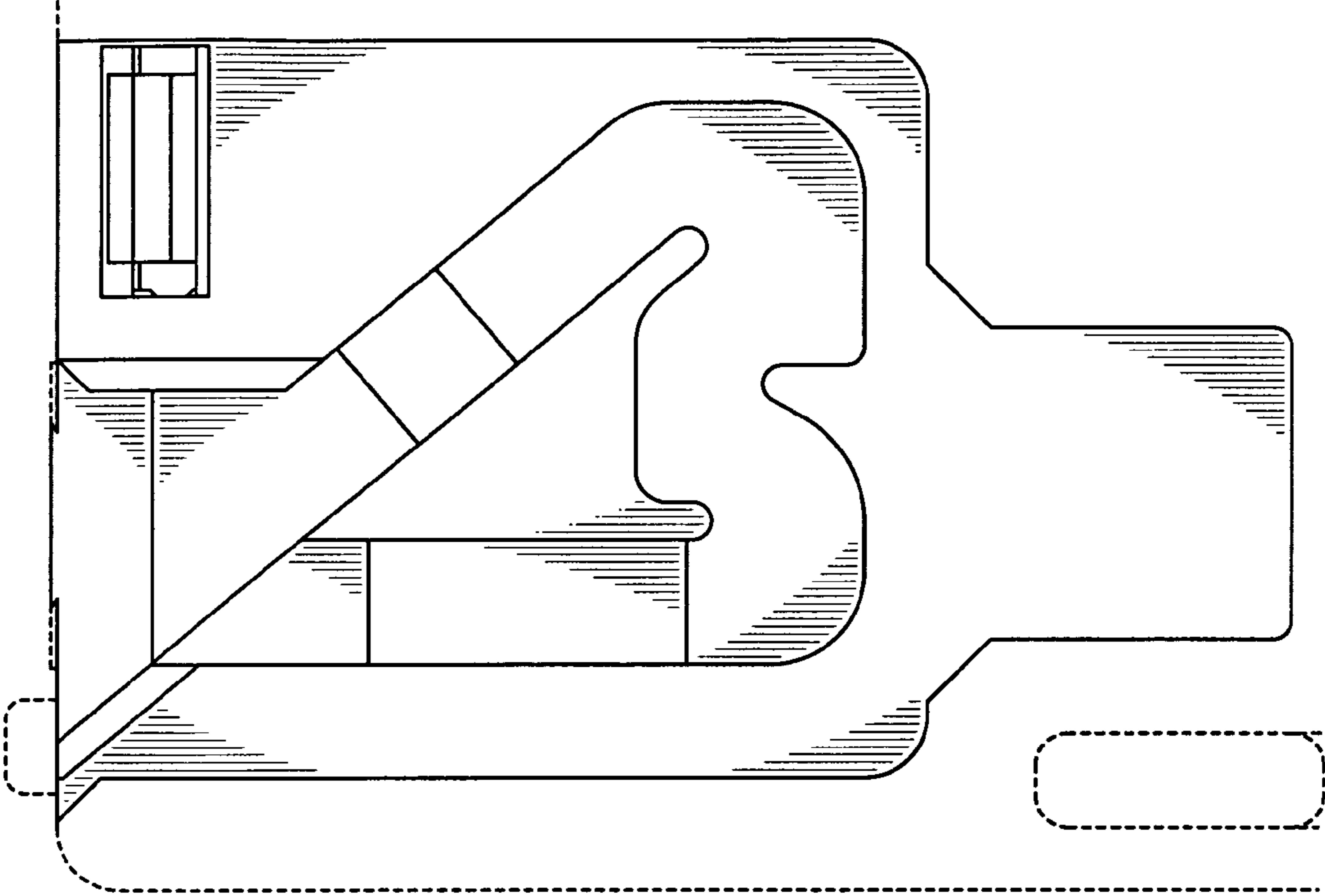


FIG. 9