

US00D595767S

(12) **United States Design Patent**
Hashimoto

(10) **Patent No.:** **US D595,767 S**
(45) **Date of Patent:** **** Jul. 7, 2009**

(54) **INK CARTRIDGE**

JP 01257643 10/2004

(75) Inventor: **Naoyoshi Hashimoto**, Shiojiri (JP)

(73) Assignee: **Seiko Epson Corporation** (JP)

(**) Term: **14 Years**

(21) Appl. No.: **29/308,352**

(22) Filed: **Jun. 11, 2008**

(30) **Foreign Application Priority Data**

Feb. 7, 2008 (JP) 2008-002612

(51) **LOC (9) Cl.** **18-02**

(52) **U.S. Cl.** **D18/56; 347/86**

(58) **Field of Classification Search** D18/40,
D18/43, 56; 347/86-87

See application file for complete search history.

(56) **References Cited**

U.S. PATENT DOCUMENTS

D522,049	S *	5/2006	Ishizawa et al.	D18/56
D524,855	S *	7/2006	Ishizawa et al.	D18/56
D569,421	S *	5/2008	Matsumoto	D18/56
D569,422	S *	5/2008	Matsumoto	D18/56
D571,397	S *	6/2008	Matsumoto	D18/56
D579,492	S *	10/2008	Matsumoto	D18/56
2005/0036015	A1 *	2/2005	Seino et al.	347/86
2005/0052511	A1 *	3/2005	Seino et al.	347/86

FOREIGN PATENT DOCUMENTS

JP 01217193 7/2004

OTHER PUBLICATIONS

Illustration of "Ink Cartridge for Printer", ASCII, p. 355, vol. 8 (Aug. 1, 1997); JPO Reference No. HA09015028.

* cited by examiner

Primary Examiner—Cathy Anne MacCormac

(74) *Attorney, Agent, or Firm*—Harness, Dickey & Pierce, P.L.C.

(57) **CLAIM**

The ornamental design for an ink cartridge, as shown and described.

DESCRIPTION

FIG. 1 is a perspective view of an ink cartridge, as viewed from the front, bottom and left side, embodying my new design;

FIG. 2 is a perspective view thereof, as viewed from the front, top and left side;

FIG. 3 is a front view thereof;

FIG. 4 is a rear view thereof;

FIG. 5 is a left side view thereof;

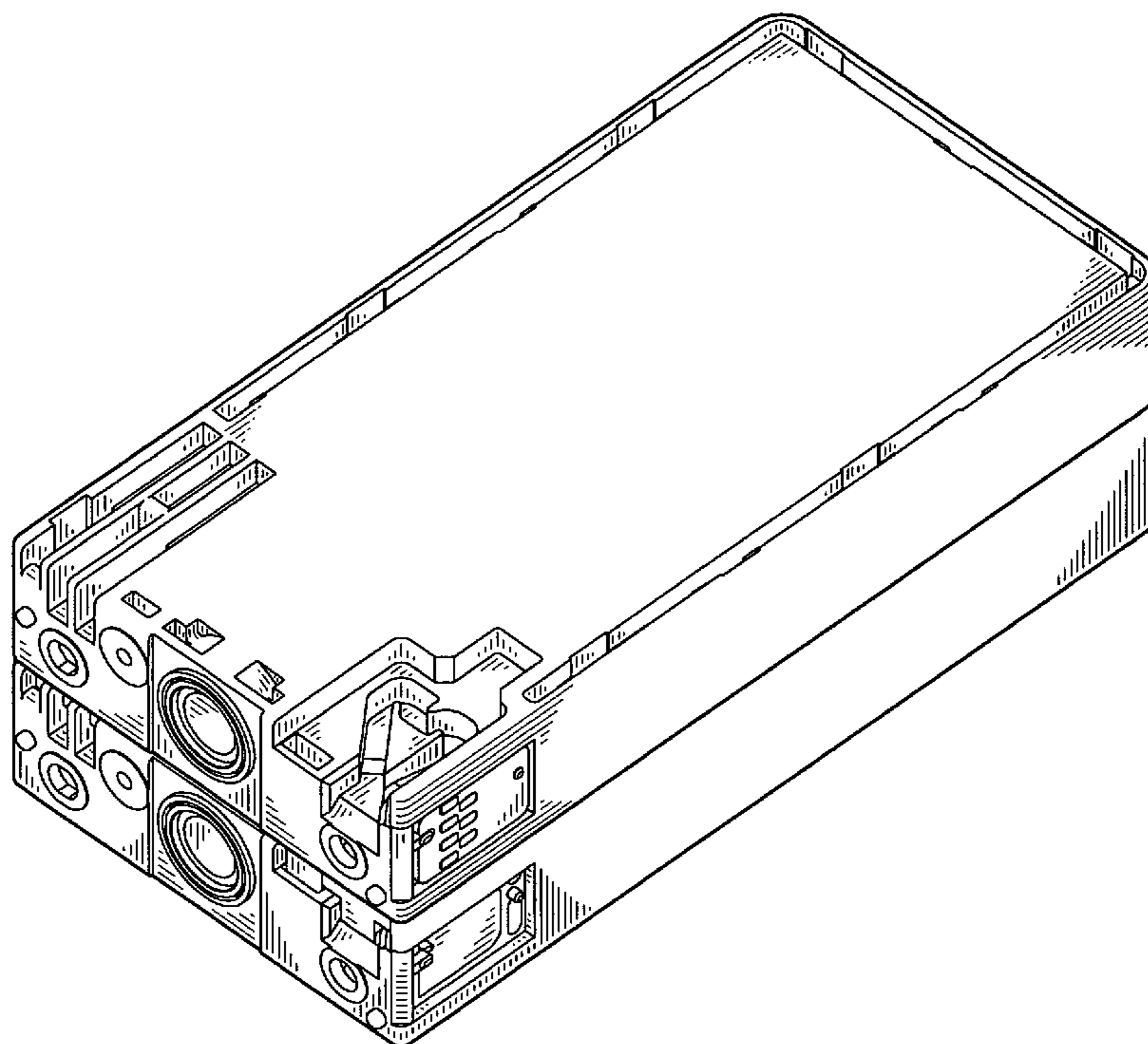
FIG. 6 is a right side view thereof;

FIG. 7 is a top view thereof;

FIG. 8 is a bottom view thereof; and,

FIG. 9 is a perspective view thereof, as viewed from the rear, bottom and left side.

1 Claim, 6 Drawing Sheets



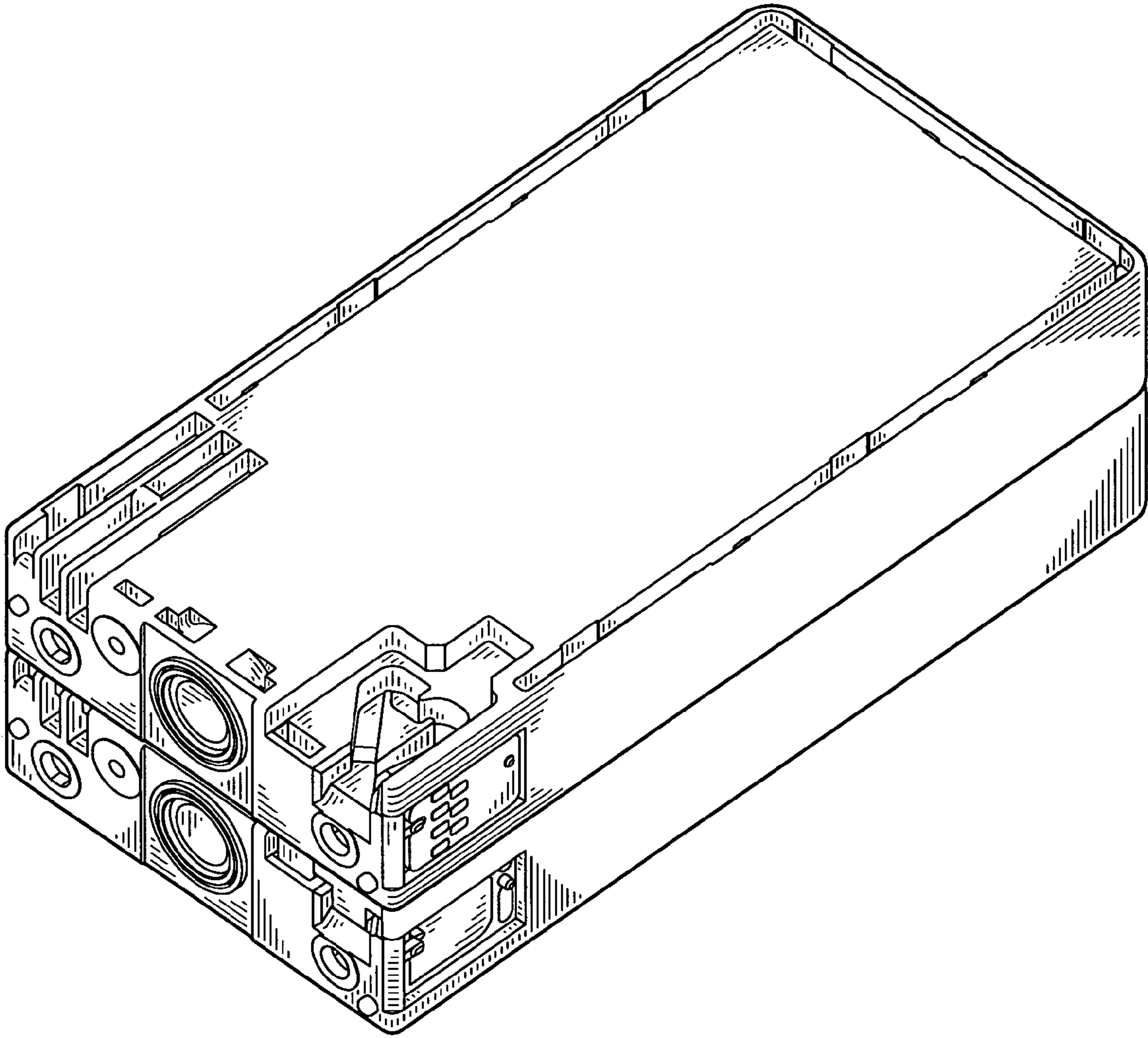


FIG. 1

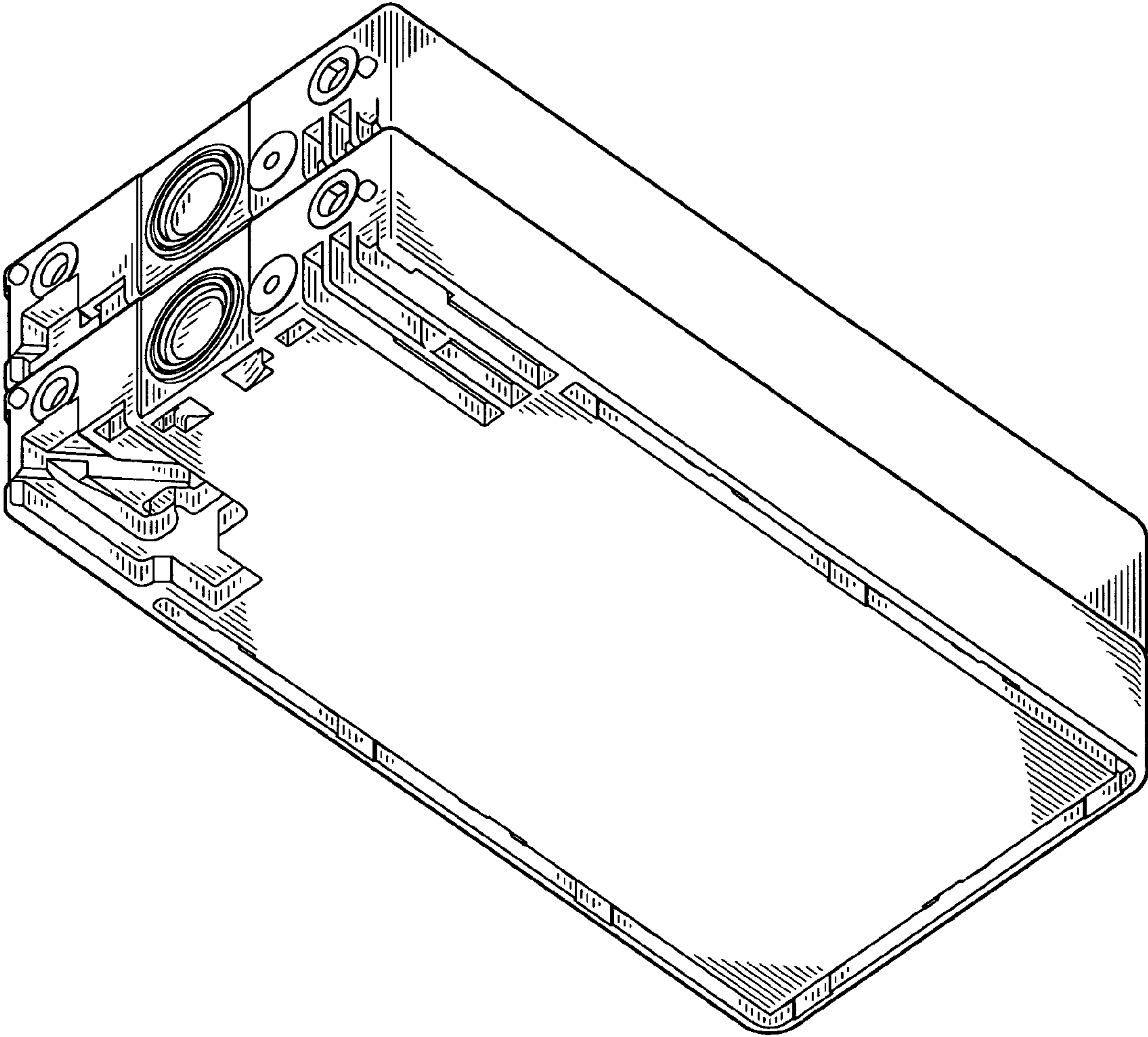


FIG. 2

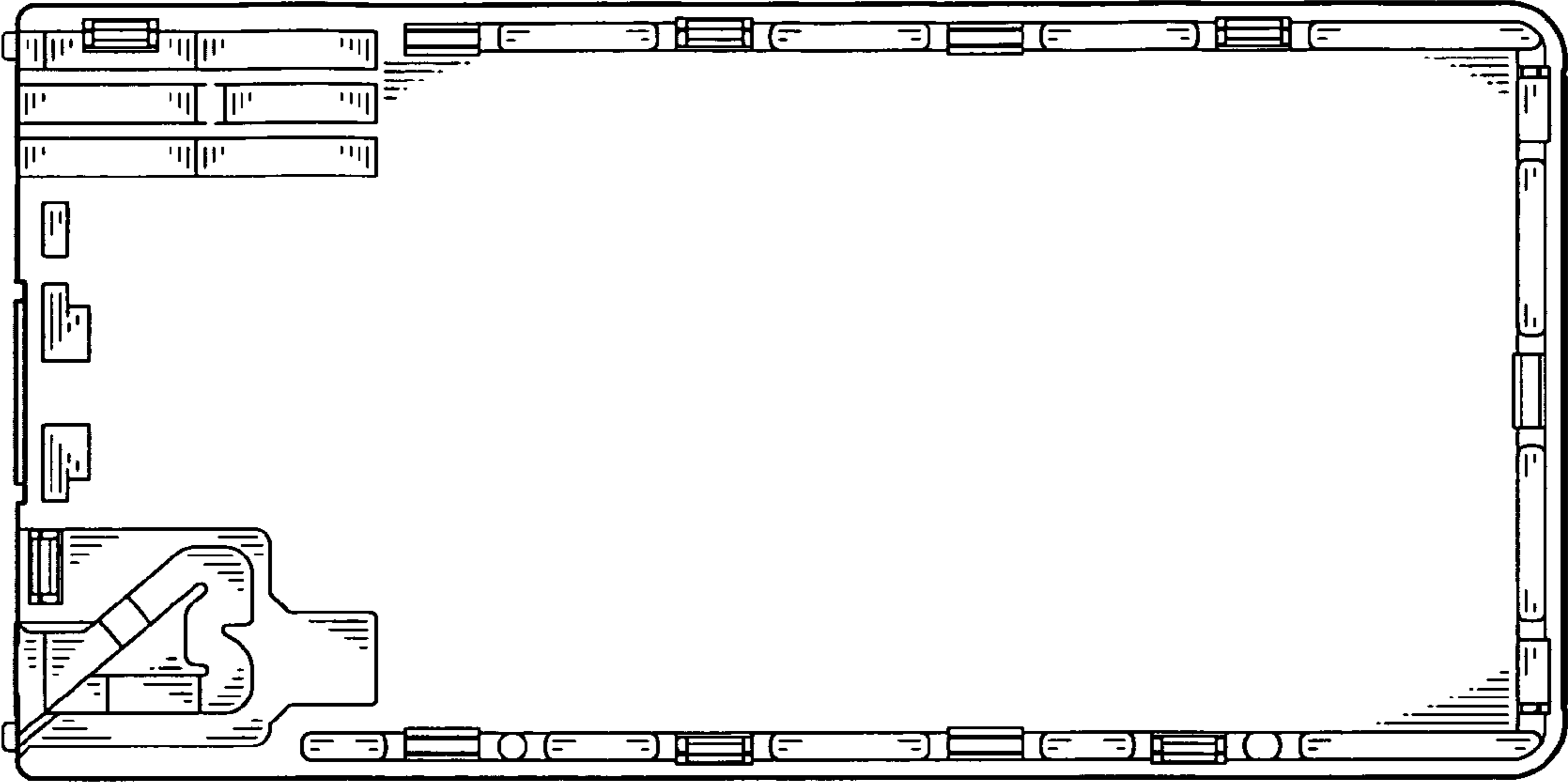


FIG. 3

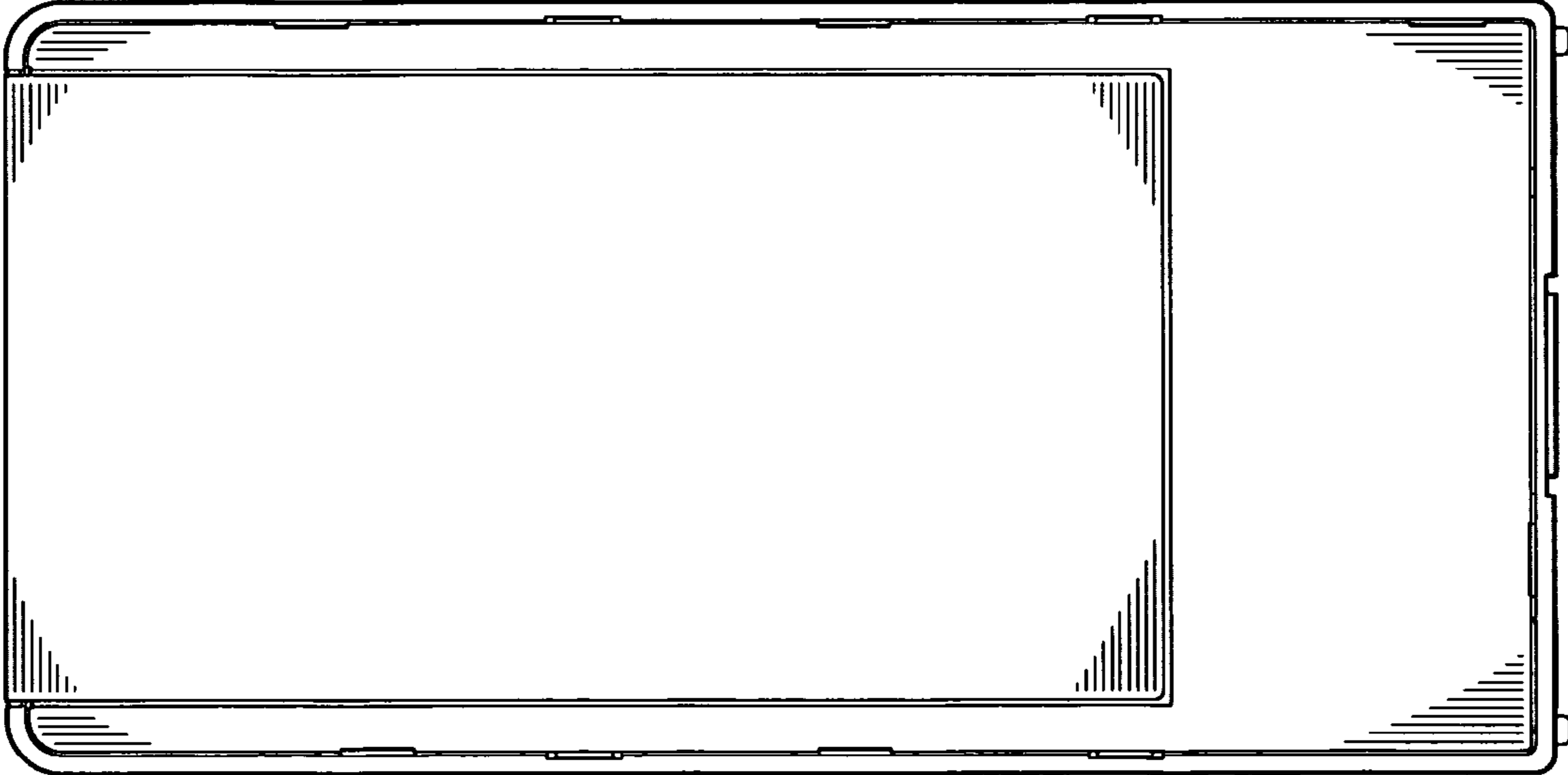


FIG. 4

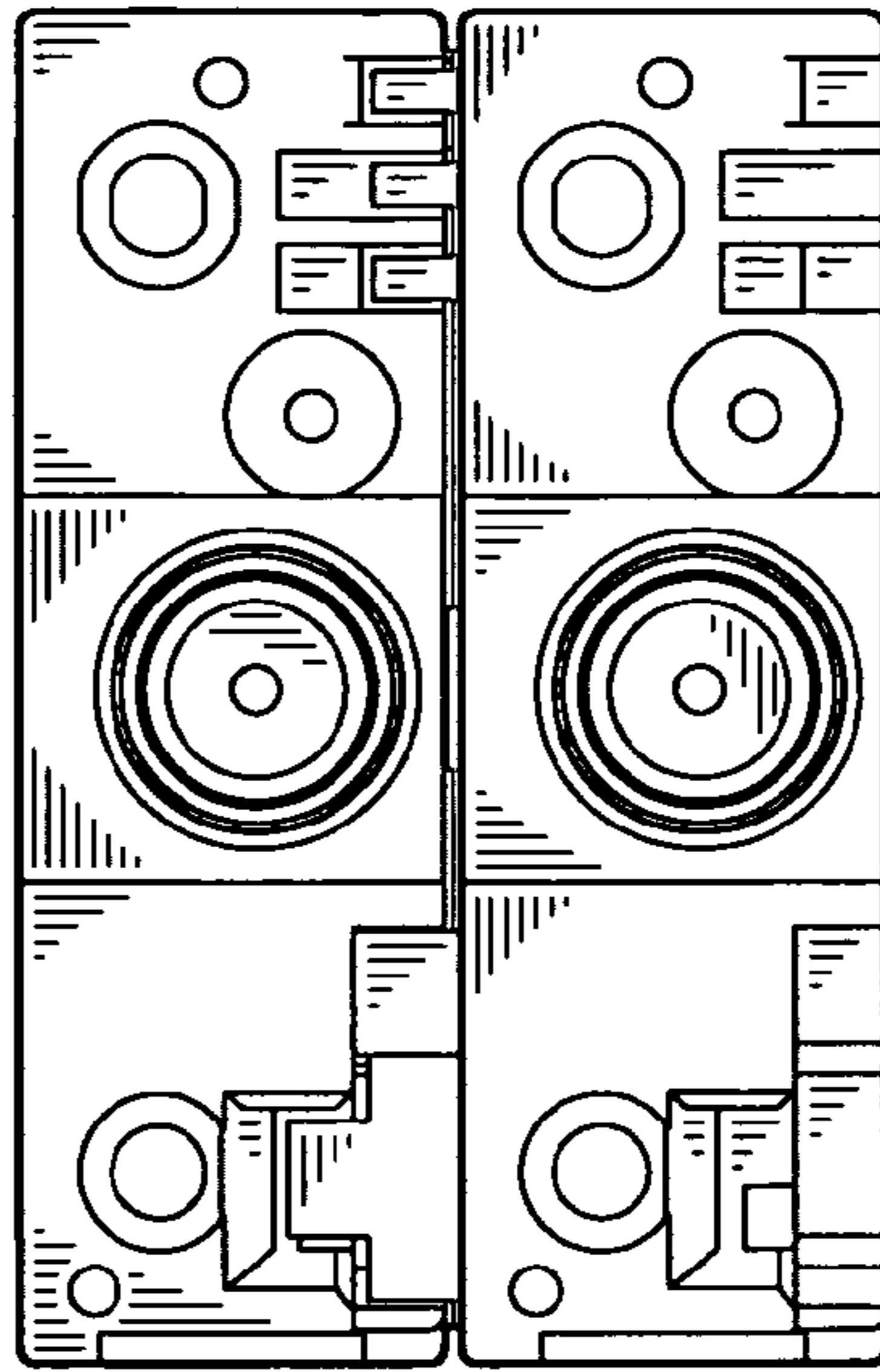


FIG. 5

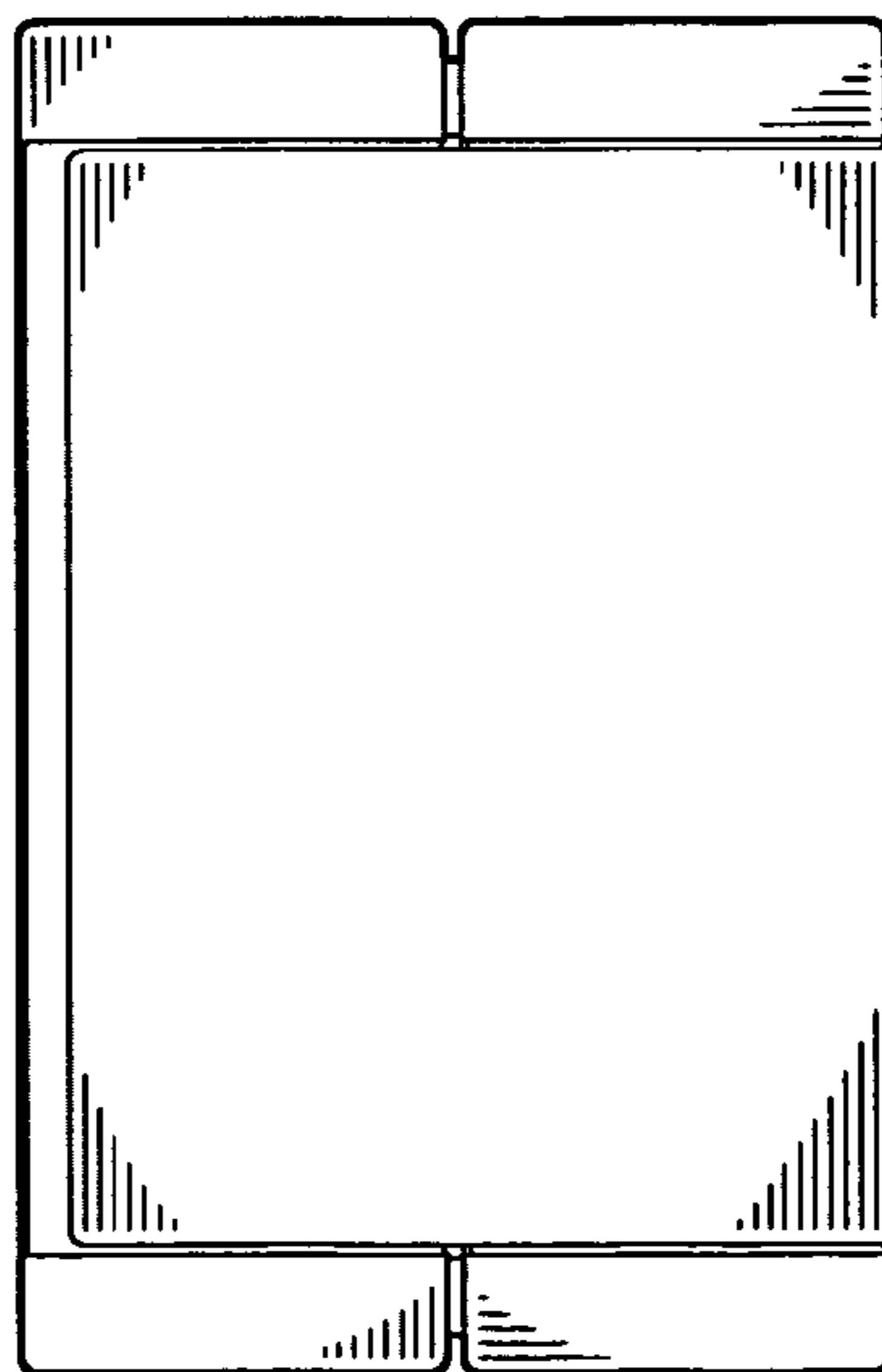


FIG. 6

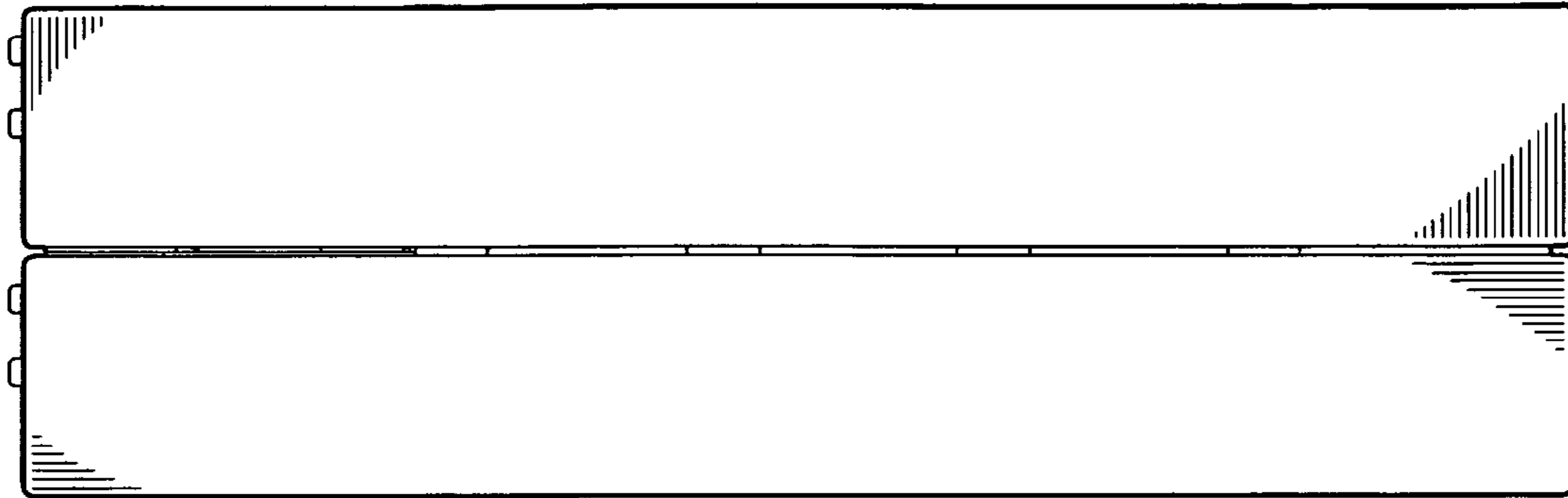


FIG. 7

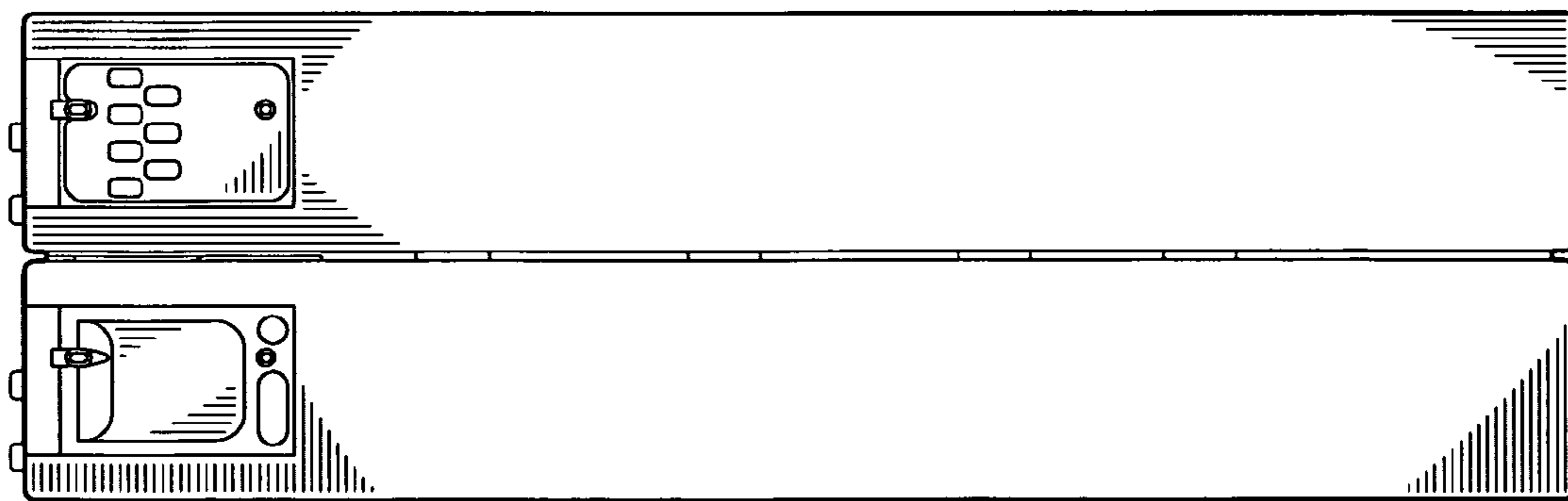


FIG. 8

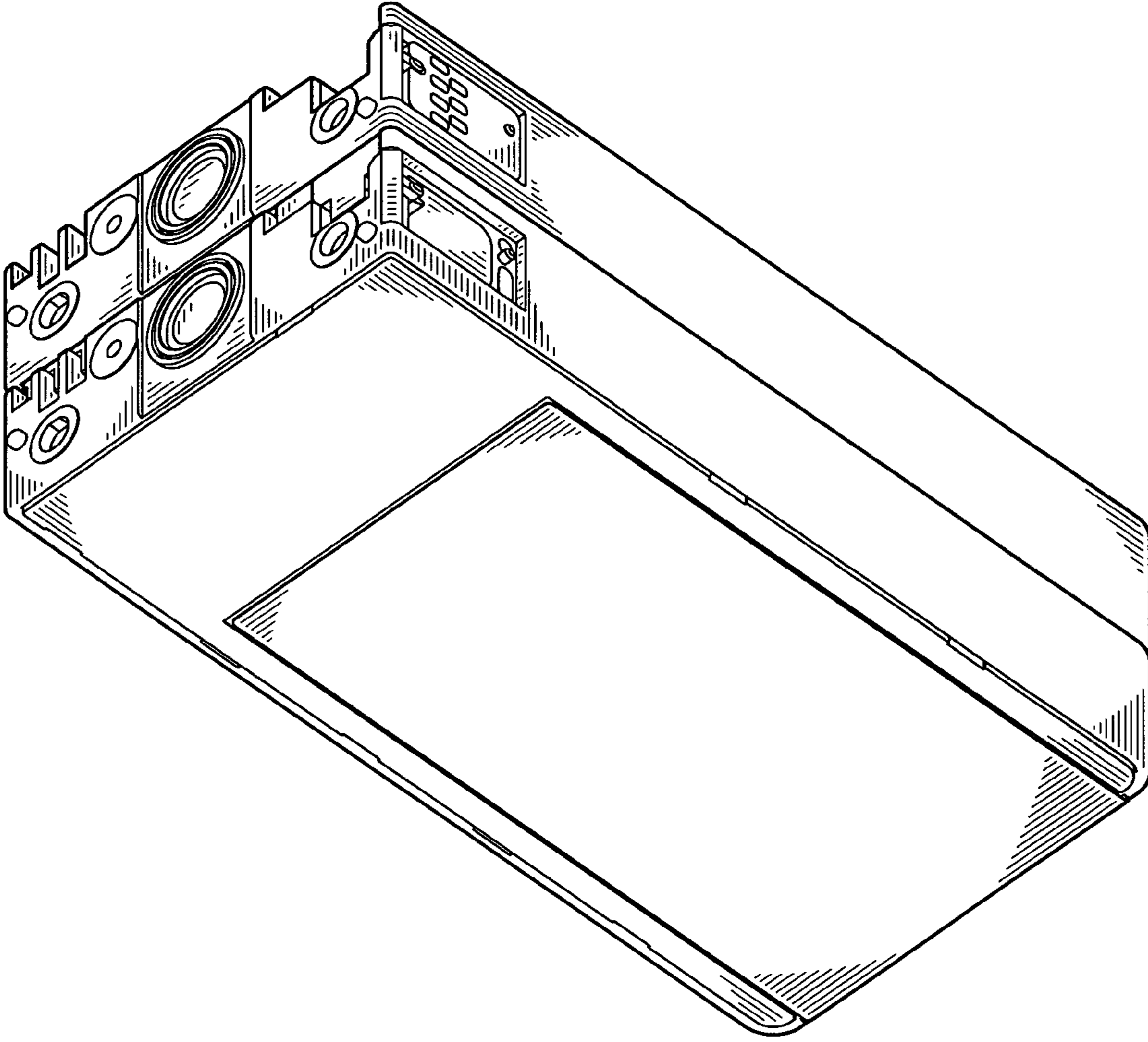


FIG. 9