



US00D595766S

(12) **United States Design Patent**
Munakata et al.

(10) **Patent No.:** **US D595,766 S**

(45) **Date of Patent:** **** Jul. 7, 2009**

(54) **MASS SHEET FEED TRAY**

(75) Inventors: **Takashi Munakata**, Kanagawa (JP);
Aya Masuda, Tokyo (JP); **Masanao**
Takahashi, Tokyo (JP); **Yoshihisa**
Minakawa, Tokyo (JP)

(73) Assignee: **Ricoh Company, Ltd.**, Tokyo (JP)

(**) Term: **14 Years**

(21) Appl. No.: **29/292,862**

(22) Filed: **Oct. 31, 2007**

(30) **Foreign Application Priority Data**

May 1, 2007 (JP) 2007-011725

(51) **LOC (9) Cl.** **16-03**

(52) **U.S. Cl.** **D18/44; D18/39**

(58) **Field of Classification Search** D18/36-41,
D18/44-56; 222/DIG. 1; 271/3.14, 8.1,
271/226, 278; 355/97, 99; 358/1.1; 399/1-7,
399/16, 75, 81, 107, 130, 151, 361, 365,
399/367, 381-383, 388

See application file for complete search history.

(56) **References Cited**

U.S. PATENT DOCUMENTS

D280,630 S * 9/1985 Kadota D18/38
D299,926 S * 2/1989 Katada et al. D18/38
D312,267 S * 11/1990 Biggs et al. D18/39
D328,757 S * 8/1992 Katada D18/44

D360,893 S * 8/1995 Quedenfeld et al. D18/53
D432,160 S * 10/2000 Kabumoto et al. D18/37
D453,943 S * 2/2002 Sasaki D18/39
D537,473 S * 2/2007 Takahashi et al. D18/44
D544,534 S * 6/2007 Reece D18/53
D550,761 S * 9/2007 Clark, III D18/39

* cited by examiner

Primary Examiner—Caron Veynar

Assistant Examiner—Garth Rademaker

(74) *Attorney, Agent, or Firm*—Dickstein Shapiro LLP

(57) **CLAIM**

The ornamental design for a mass sheet feed tray, as shown and described.

DESCRIPTION

FIG. 1 is a front elevation of a mass sheet feed tray according to the present invention;

FIG. 2 is a rear elevation thereof;

FIG. 3 is a top plan view thereof;

FIG. 4 is a bottom plan view thereof;

FIG. 5 is a right side elevation thereof;

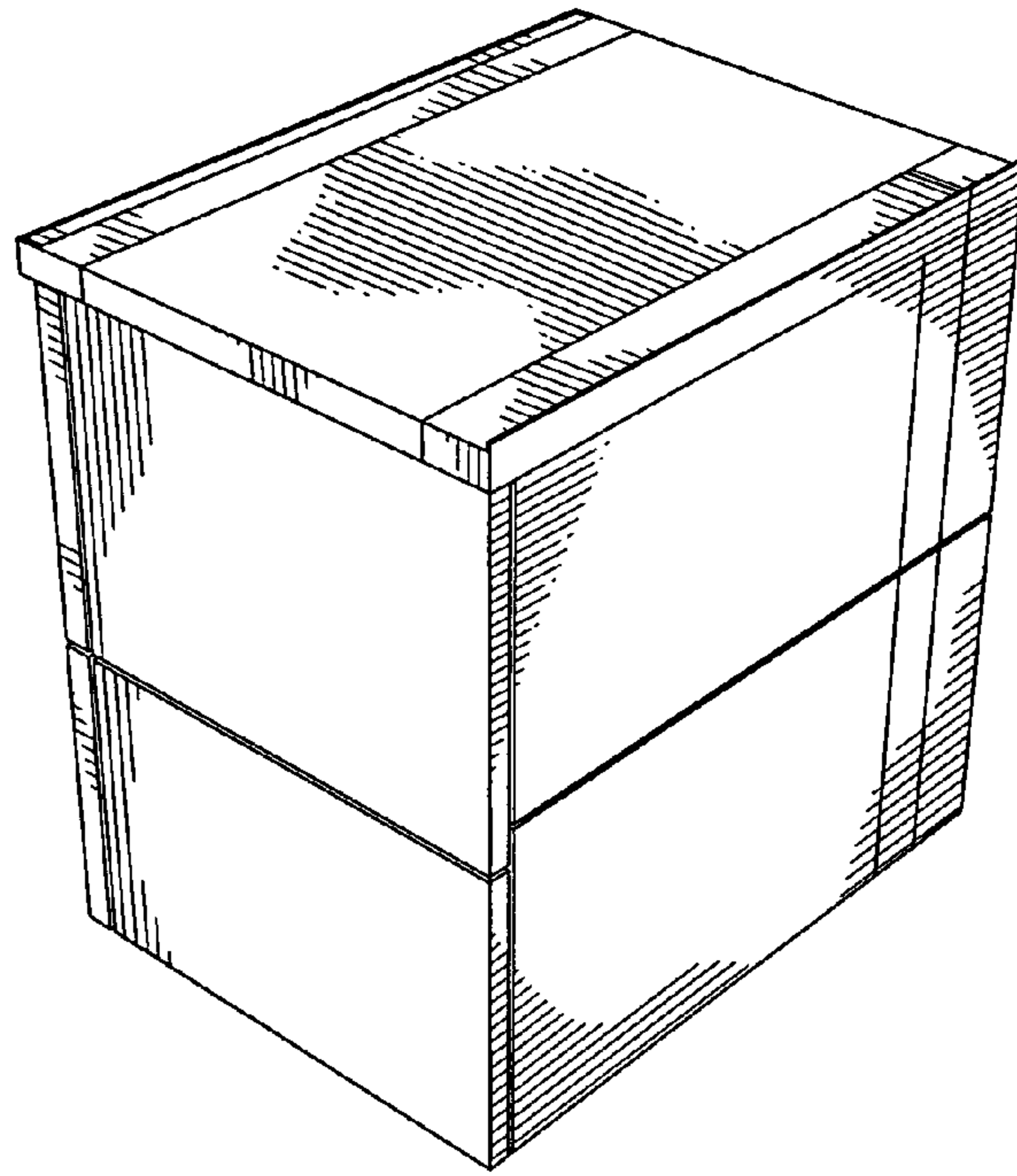
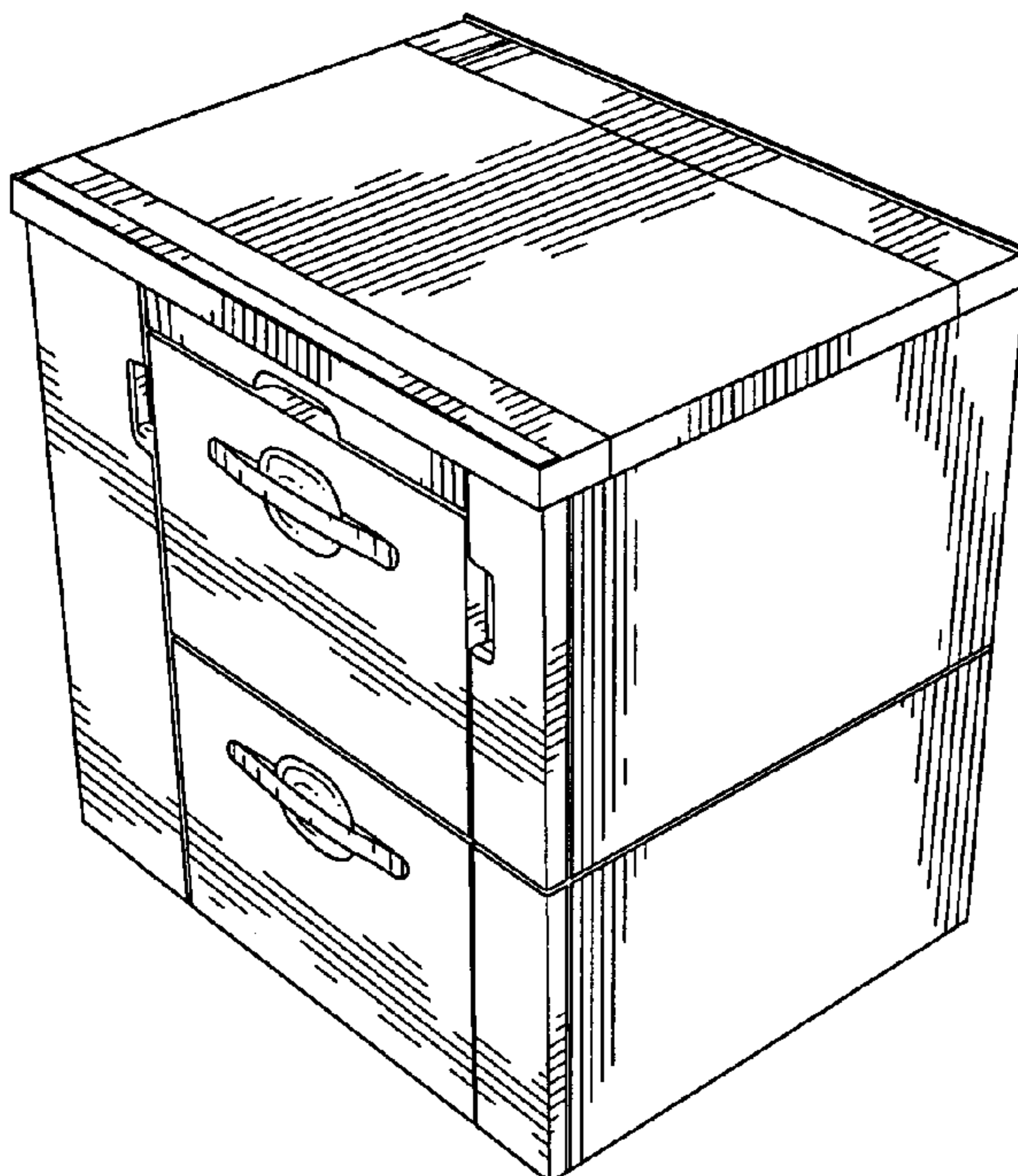
FIG. 6 is a left side elevation thereof;

FIG. 7 is a top, front and right side perspective view thereof; and,

FIG. 8 is a top, rear and right side perspective view thereof.

The broken lines in FIG. 4 represent unclaimed, environmental subject matter.

1 Claim, 5 Drawing Sheets



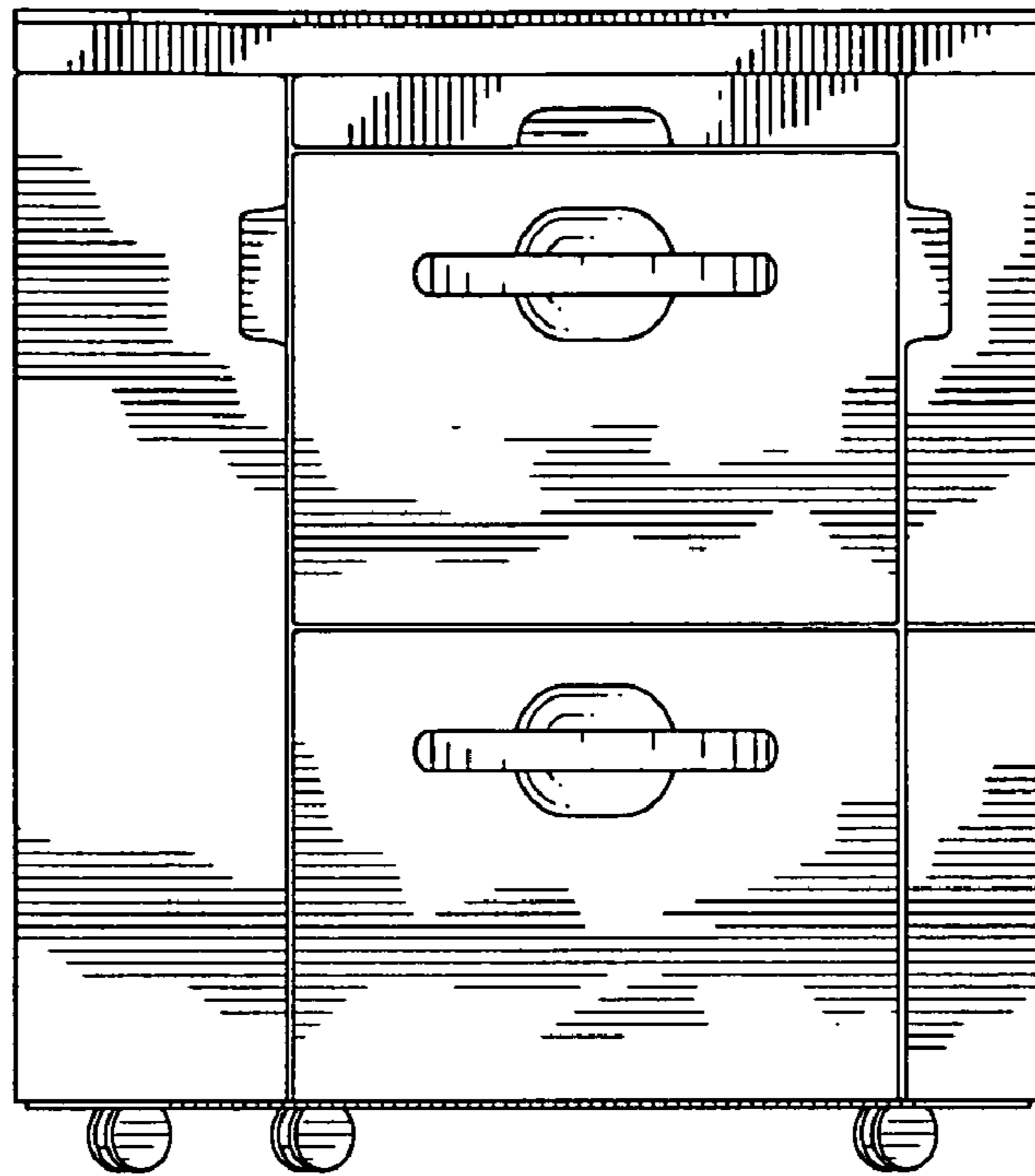


FIG. 1

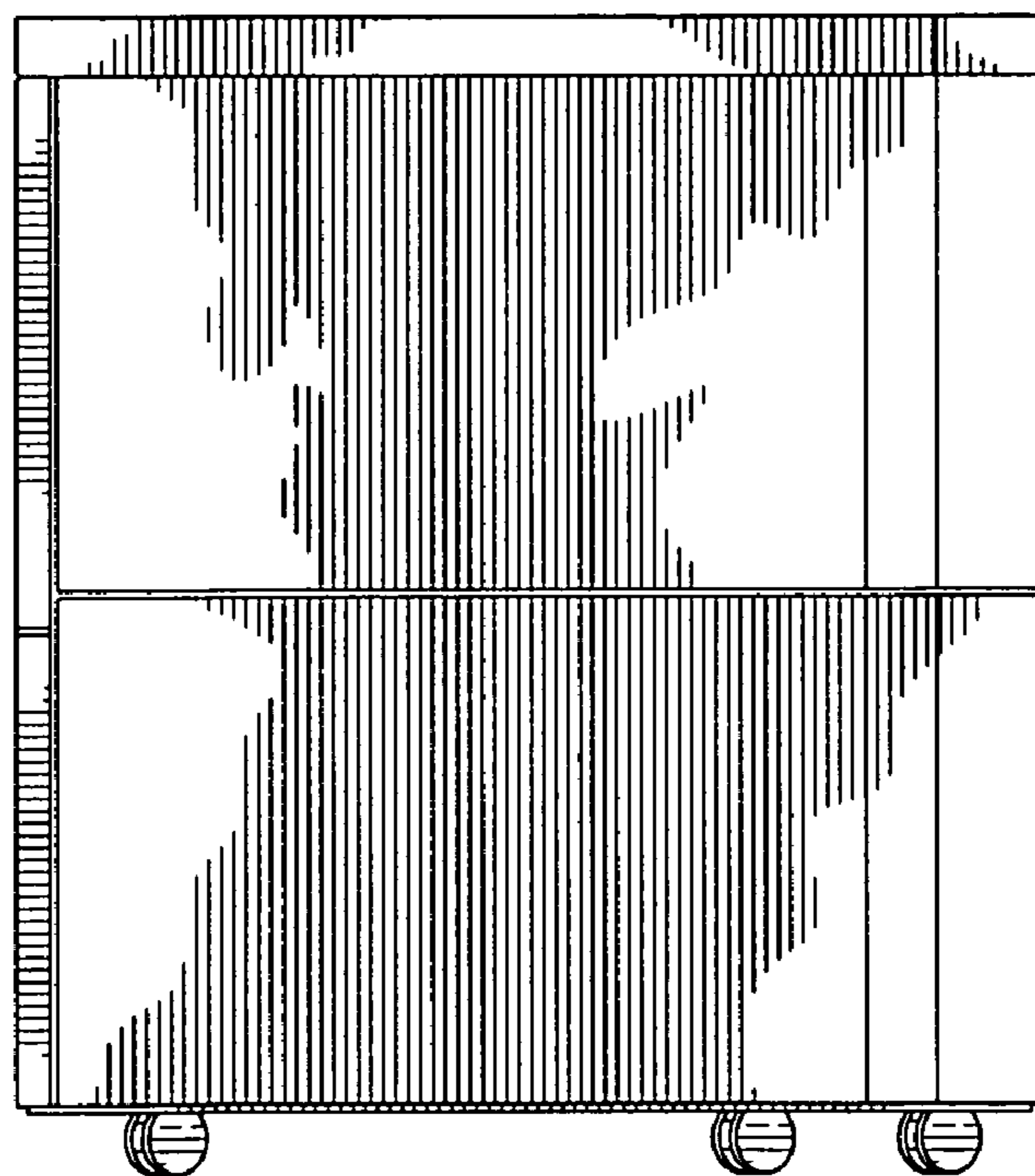


FIG. 2

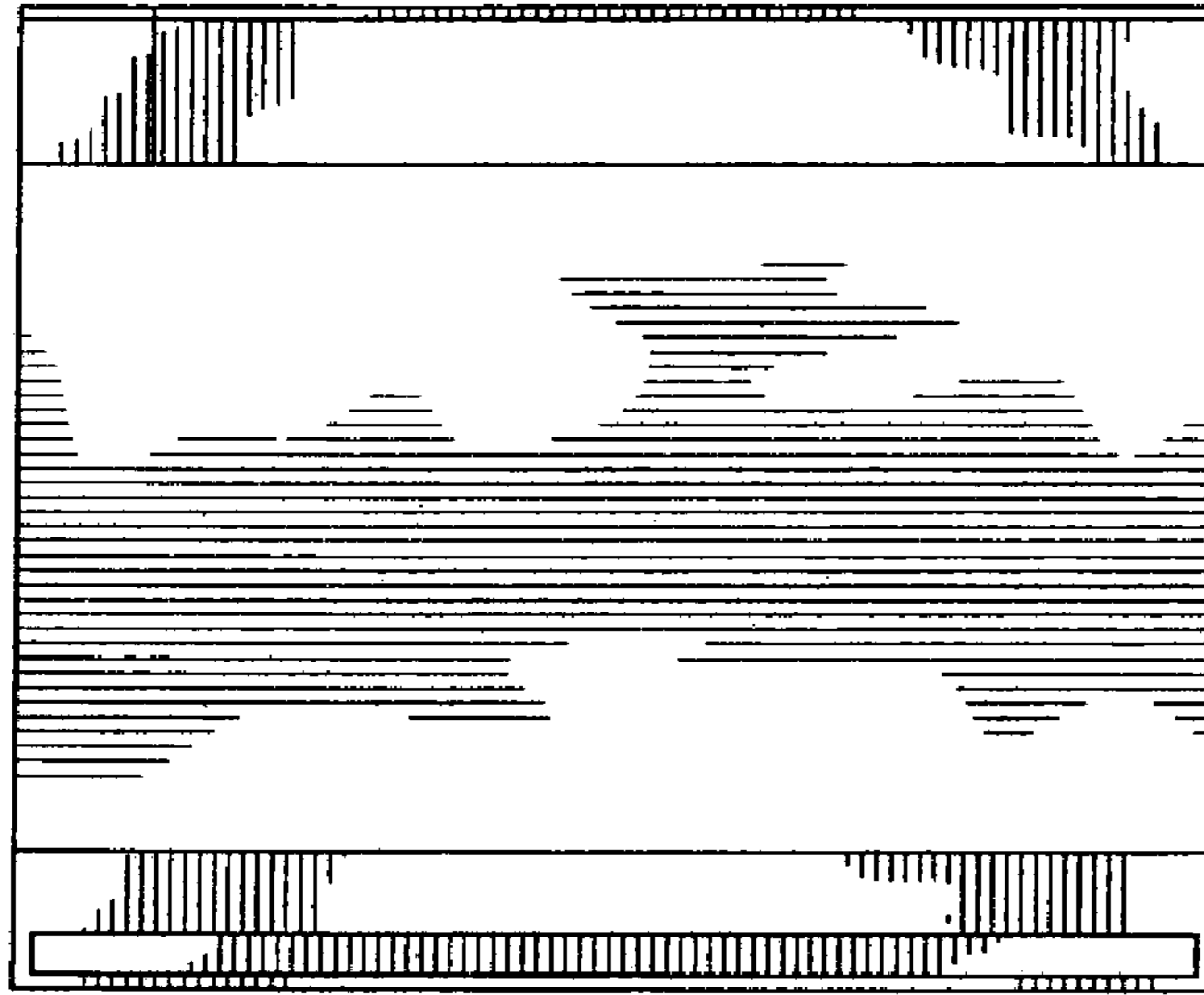


FIG. 3

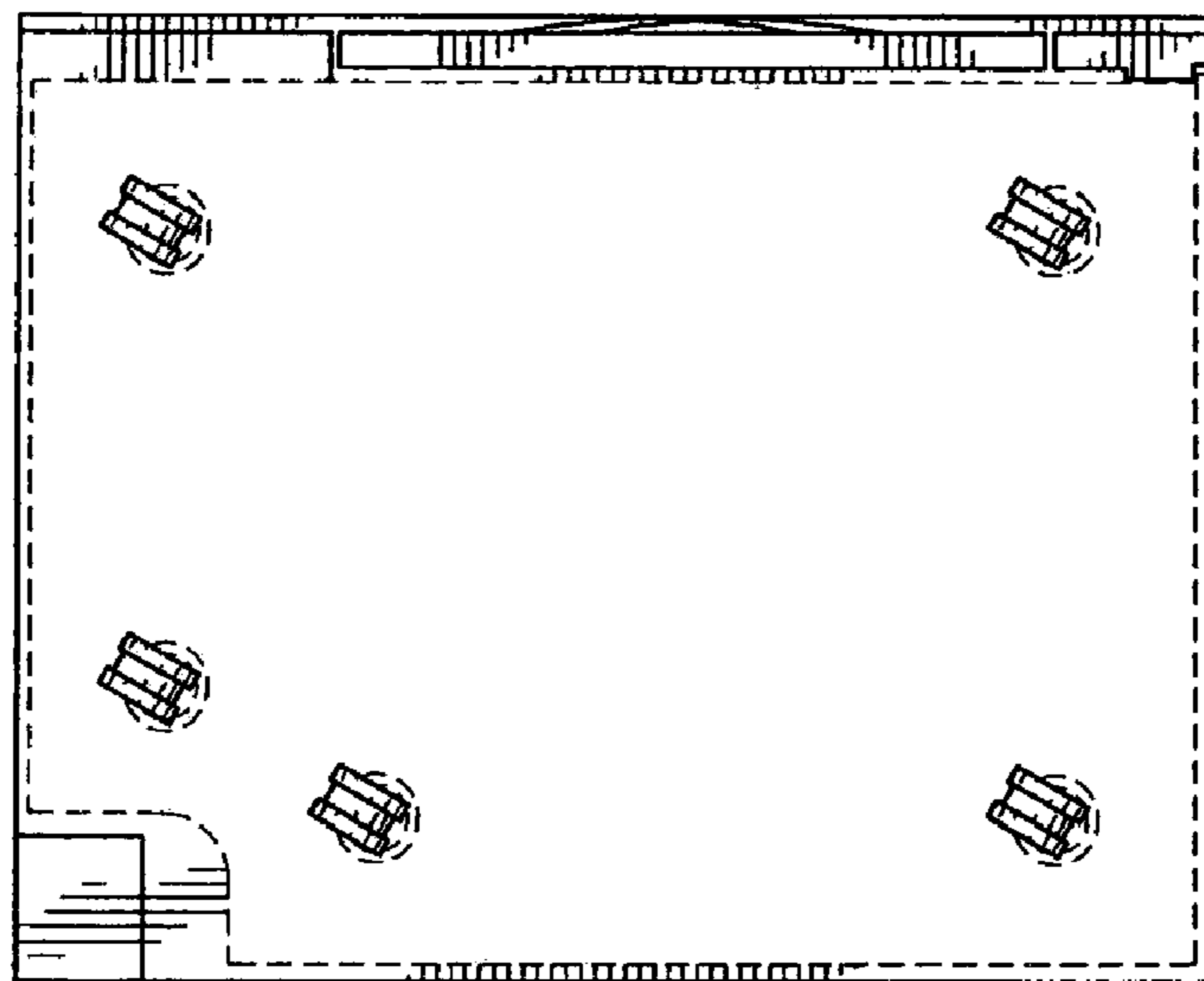


FIG. 4

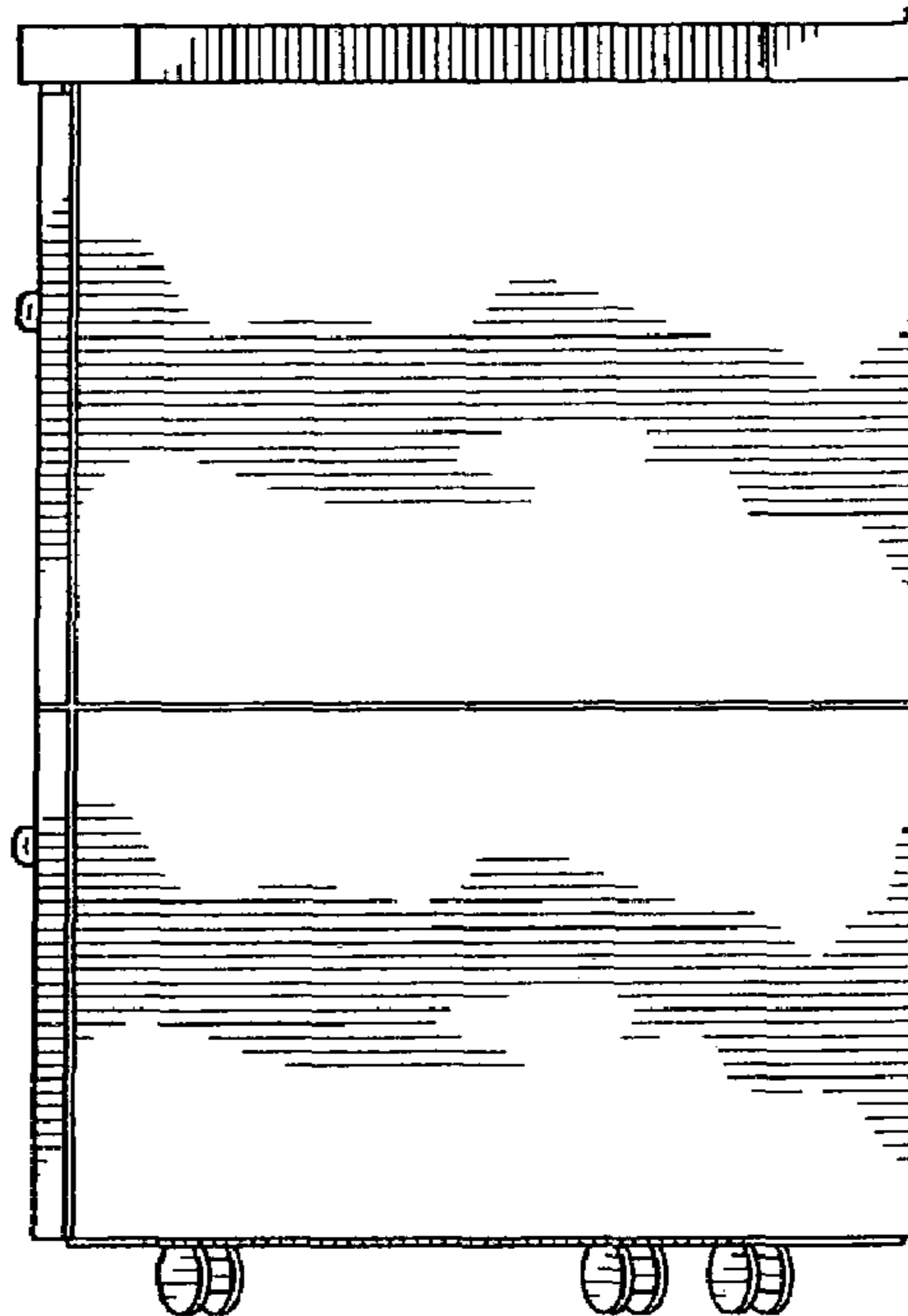


FIG. 5

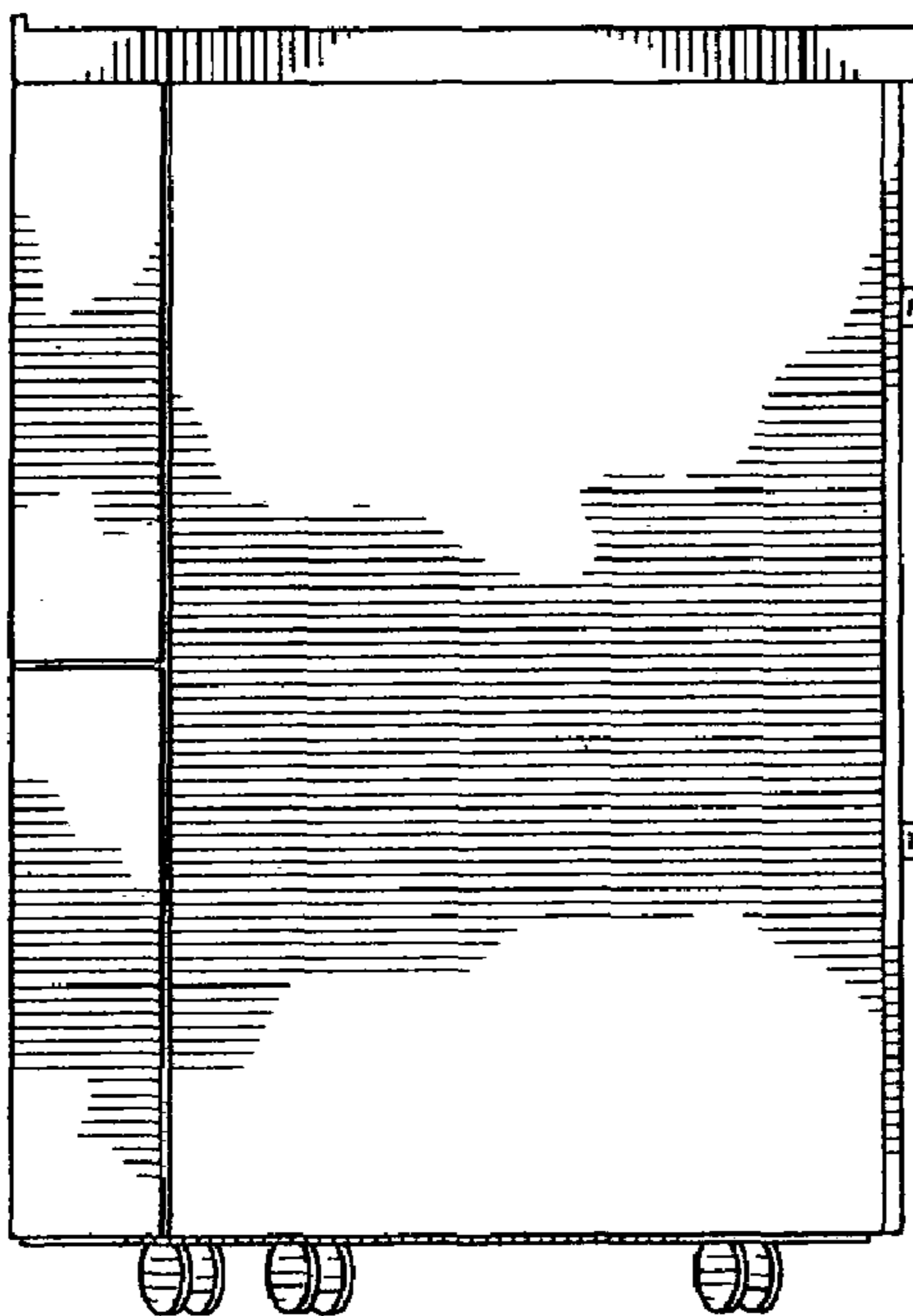


FIG. 6

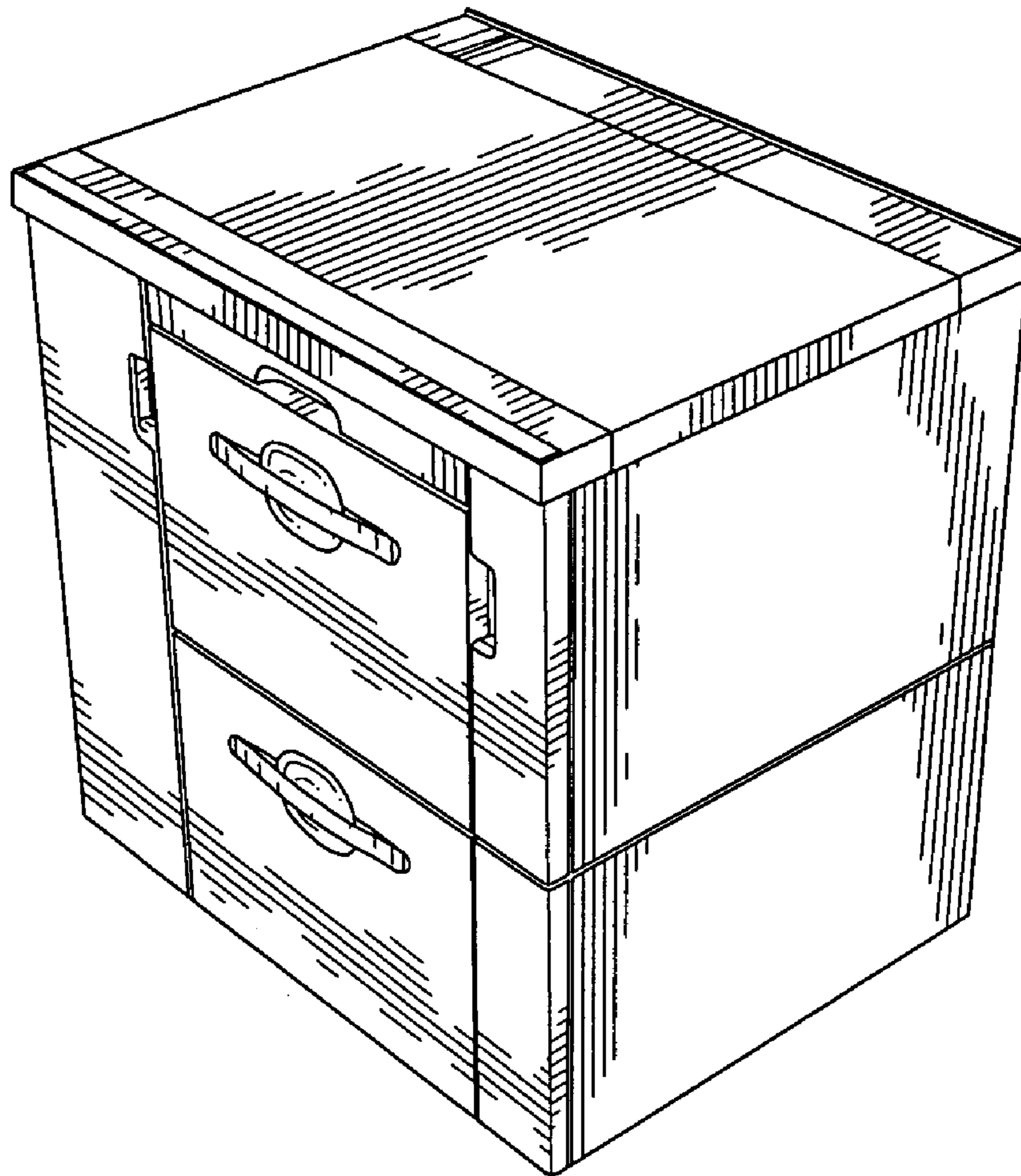


FIG. 7

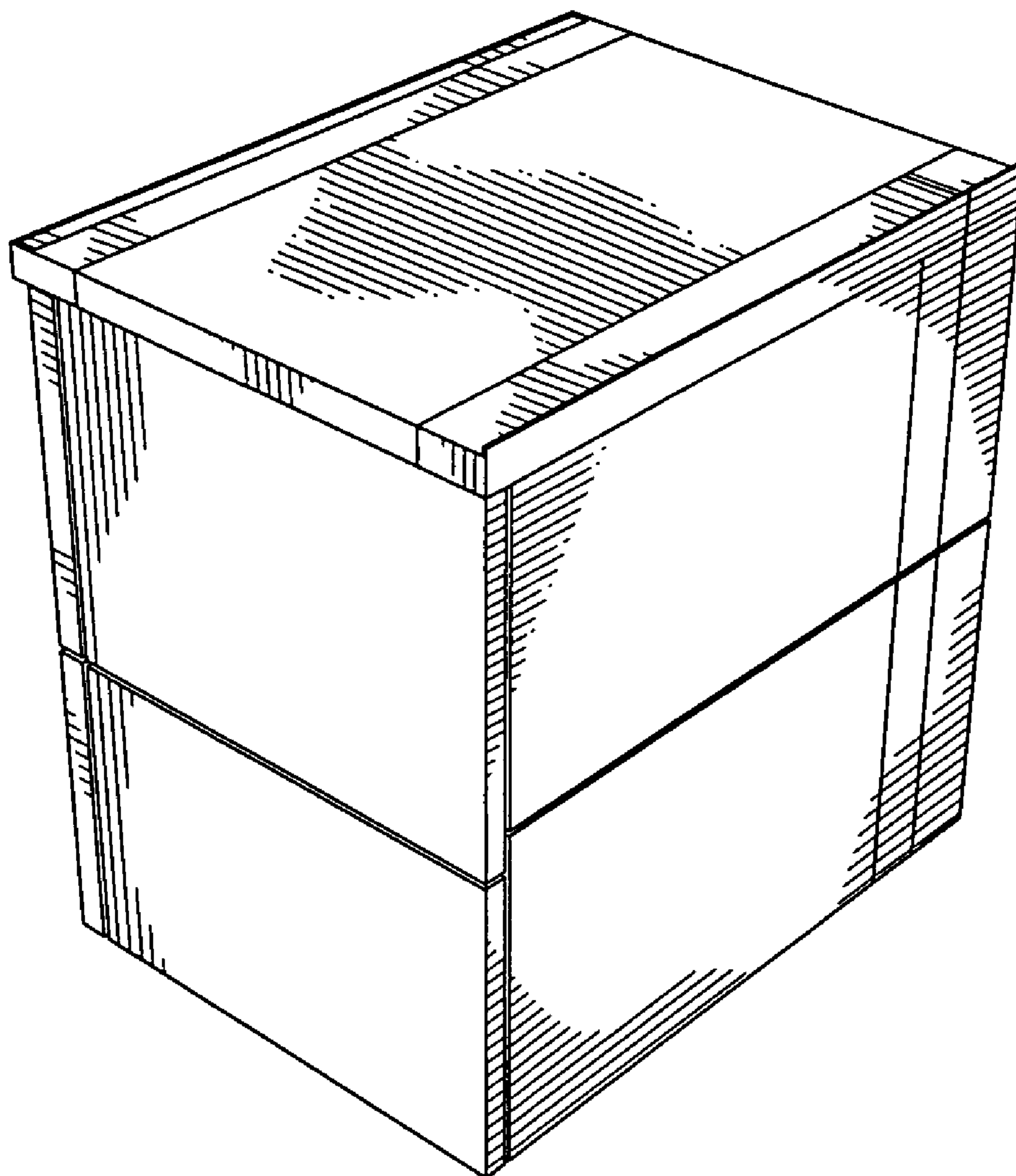


FIG. 8