



US00D595756S

(12) **United States Design Patent**
Sakamaki et al.

(10) **Patent No.:** **US D595,756 S**
(45) **Date of Patent:** **** Jul. 7, 2009**

(54) **PROJECTOR**

(75) Inventors: **Isao Sakamaki**, Matsumoto (JP); **Tetsu Nakayama**, Shiojiri (JP); **Hirohisa Nakano**, Matsumoto (JP); **Toshimitsu Watanabe**, Matsumoto (JP)

(73) Assignee: **Seiko Epson Corporation**, Tokyo (JP)

(**) Term: **14 Years**

(21) Appl. No.: **29/321,085**

(22) Filed: **Jul. 10, 2008**

(30) **Foreign Application Priority Data**

Apr. 24, 2008 (JP) 2008-010492

(51) **LOC (9) Cl.** **16-02**

(52) **U.S. Cl.** **D16/235; D16/230**

(58) **Field of Classification Search** D16/205,
D16/208, 213, 221, 225, 230-231, 234; D21/514;
353/115, 119, 122

See application file for complete search history.

(56) **References Cited**

U.S. PATENT DOCUMENTS

D479,261 S * 9/2003 Kawasaki et al. D16/230

D505,440 S * 5/2005 Kawasaki et al. D16/231
6,966,653 B2 * 11/2005 Kitabayashi 353/60
D527,407 S * 8/2006 Kawasaki et al. D16/230
D548,264 S * 8/2007 Sakamaki et al. D16/230
D574,875 S 8/2008 Sakamaki et al.

* cited by examiner

Primary Examiner—Ian Simmons

Assistant Examiner—Wan Laymon

(74) *Attorney, Agent, or Firm*—Oliff & Berridge, PLC

(57) **CLAIM**

The ornamental design for a projector, as shown and described.

DESCRIPTION

FIG. 1 is a perspective view of a projector;

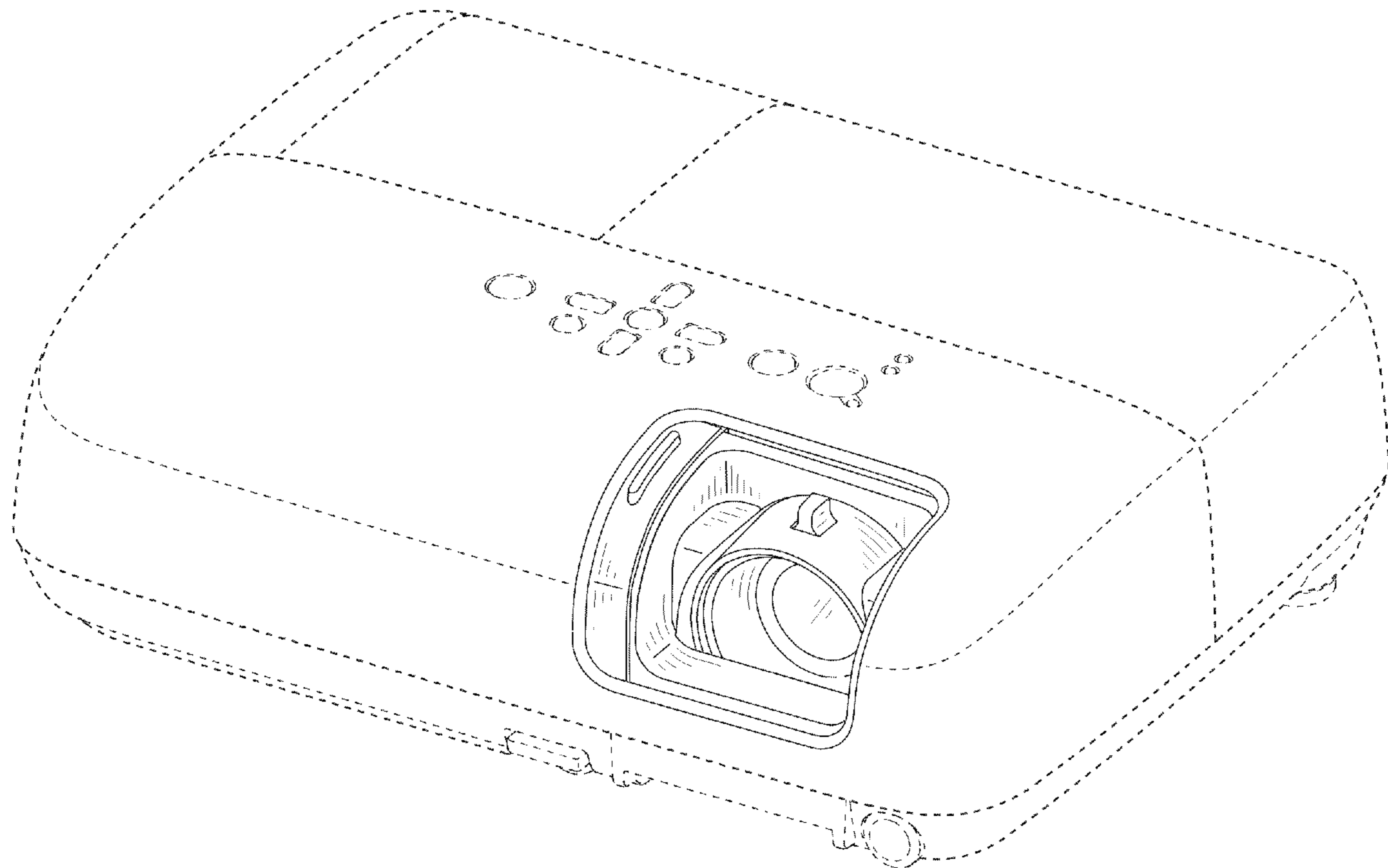
FIG. 2 is a front view thereof;

FIG. 3 is a right-side view thereof; and,

FIG. 4 is a top view thereof.

The broken lines depict environmental subject matter only and form no part of the claimed design.

1 Claim, 3 Drawing Sheets



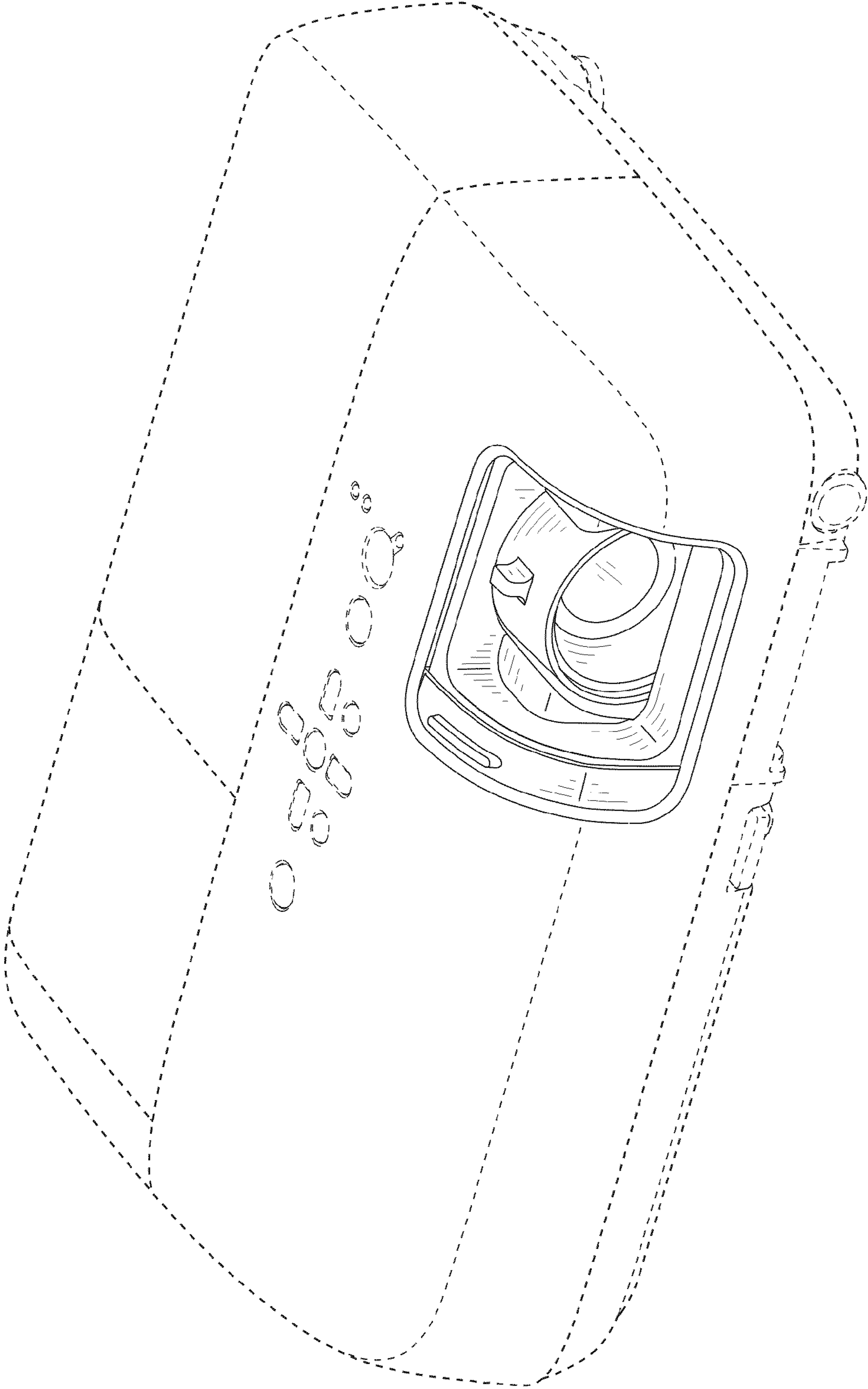


FIG. 1

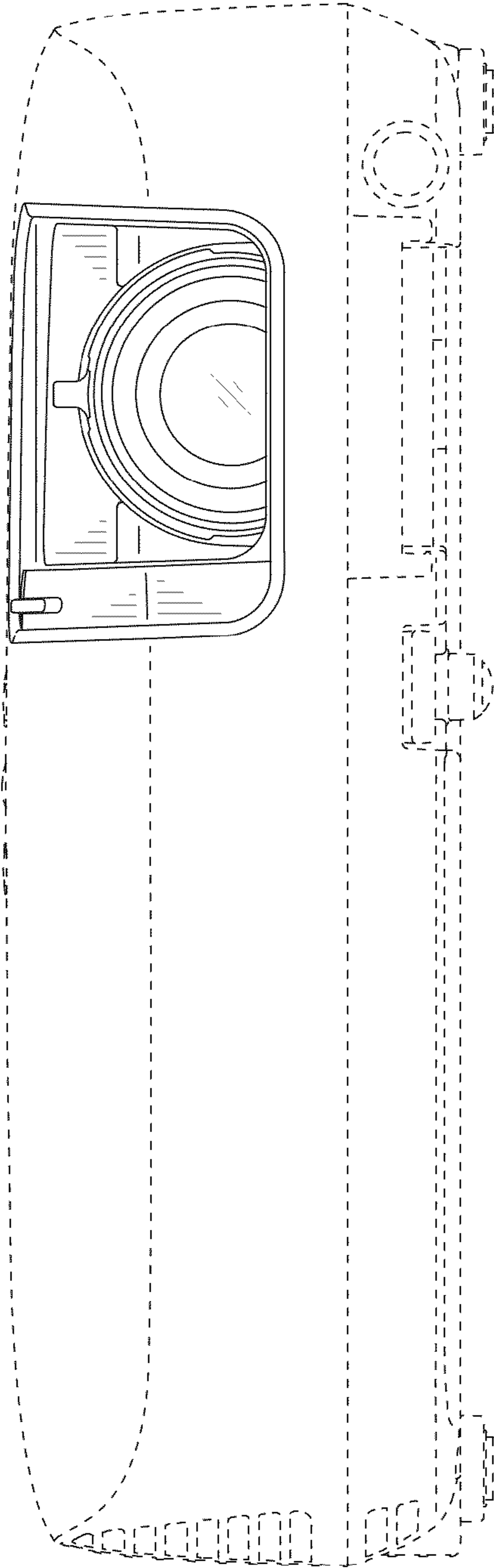


FIG. 2

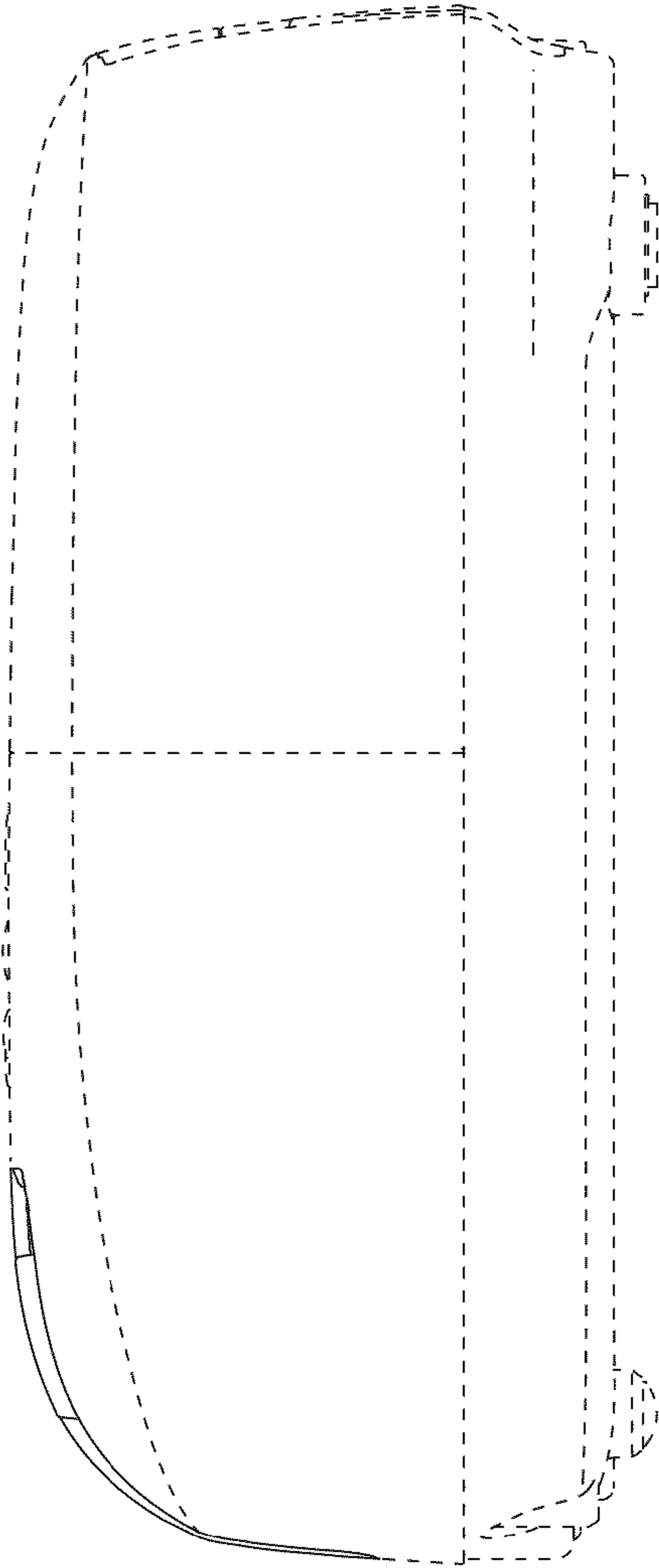


FIG. 3

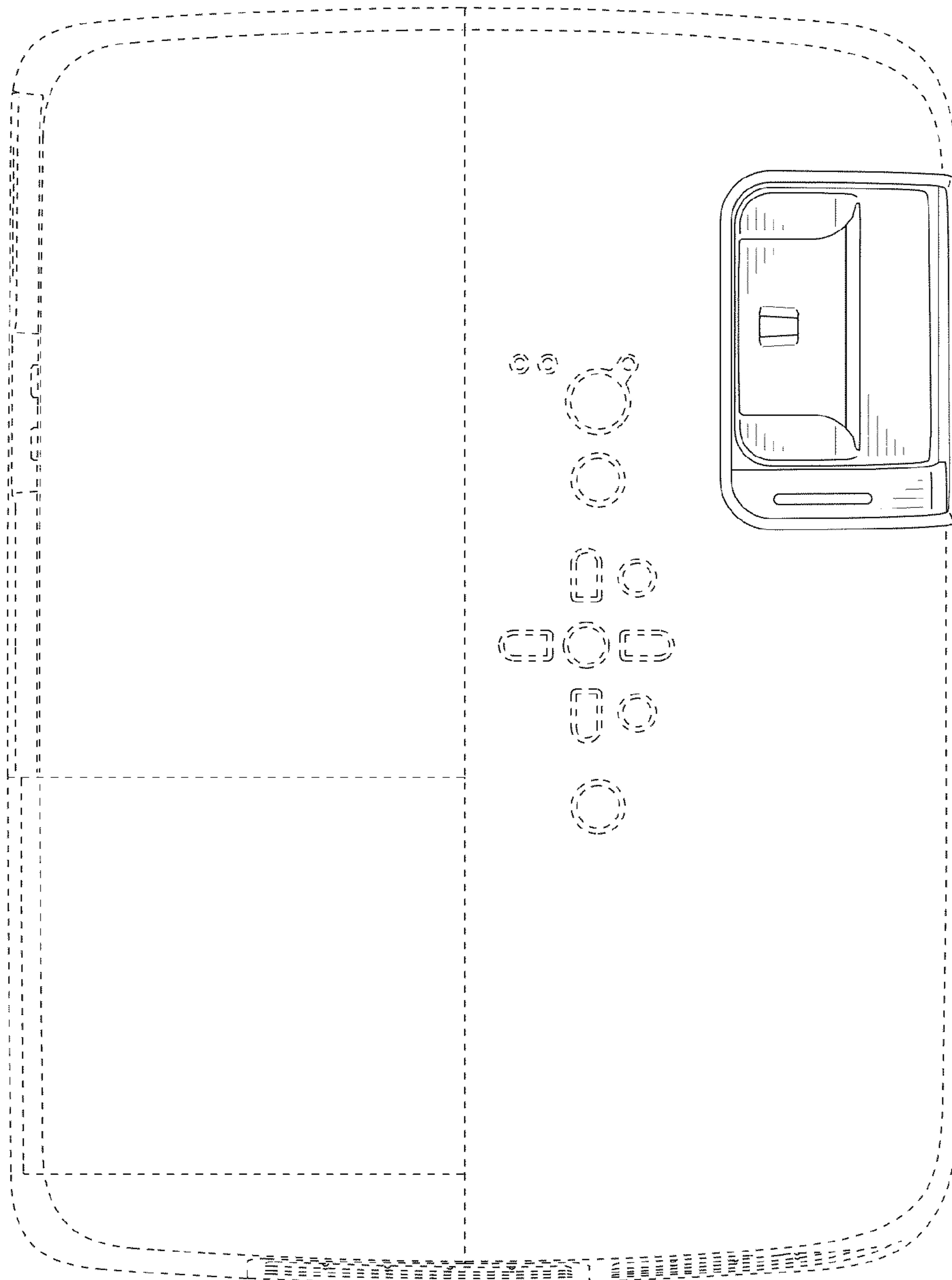


FIG. 4