



US00D595754S

(12) **United States Design Patent**  
**Hamilton**

(10) **Patent No.:** **US D595,754 S**

(45) **Date of Patent:** **\*\* Jul. 7, 2009**

(54) **SPOTTING SCOPE**

(75) Inventor: **Samuel J. Hamilton**, Mount Horeb, WI  
(US)

(73) Assignee: **Sheltered Wings, Inc.**, Middletown, WI  
(US)

(\*\*) Term: **14 Years**

(21) Appl. No.: **29/306,445**

(22) Filed: **Apr. 9, 2008**

(51) **LOC (9) Cl.** ..... **16-06**

(52) **U.S. Cl.** ..... **D16/132**

(58) **Field of Classification Search** ..... D16/130,  
D16/132, 133; D22/109; 250/214 VT; 33/272;  
356/247; 359/350, 351, 355, 399, 419, 422,  
359/424, 431, 432, 426, 427, 513, 428, 617,  
359/819; 396/419

See application file for complete search history.

(56) **References Cited**

**U.S. PATENT DOCUMENTS**

D123,486 S	*	11/1940	Miles	.....	D16/132
D159,719 S	*	8/1950	Davidson	.....	D16/132
D215,355 S	*	9/1969	Weatherby	.....	D16/132
D272,916 S	*	3/1984	Tomatsuri et al.	.....	D16/132
D285,802 S	*	9/1986	Ogasawara	.....	D16/132
D288,210 S	*	2/1987	Mise	.....	D16/132
D374,021 S	*	9/1996	Meinzer	.....	D16/132
D417,680 S	*	12/1999	Diebel et al.	.....	D16/132

D454,898 S	*	3/2002	Ogasawara et al.	.....	D16/132
D479,255 S	*	9/2003	Hamamura	.....	D16/132
D482,709 S	*	11/2003	Meinzer	.....	D16/132
D512,449 S	*	12/2005	Regan et al.	.....	D16/132
D534,193 S	*	12/2006	Ono	.....	D16/132
D550,263 S	*	9/2007	Zhou	.....	D16/132
D572,740 S	*	7/2008	Kitera	.....	D16/132

\* cited by examiner

*Primary Examiner*—Paula Greene

(74) *Attorney, Agent, or Firm*—Langlotz Patent & Trademark  
Works, Inc.; Bennet K. Langlotz

(57) **CLAIM**

The ornamental design for a spotting scope, as shown and described.

**DESCRIPTION**

FIG. 1 is a front and left side perspective view of a spotting scope in accordance with the new design;

FIG. 2 is a rear and right side perspective view thereof;

FIG. 3 is a left elevation view thereof;

FIG. 4 is a rear elevation view thereof;

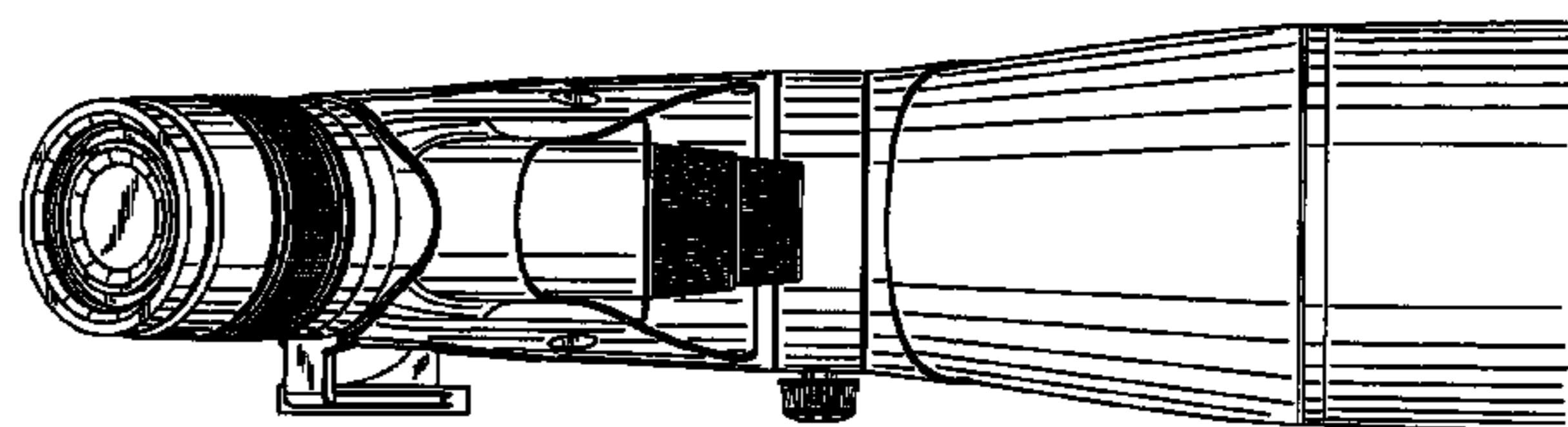
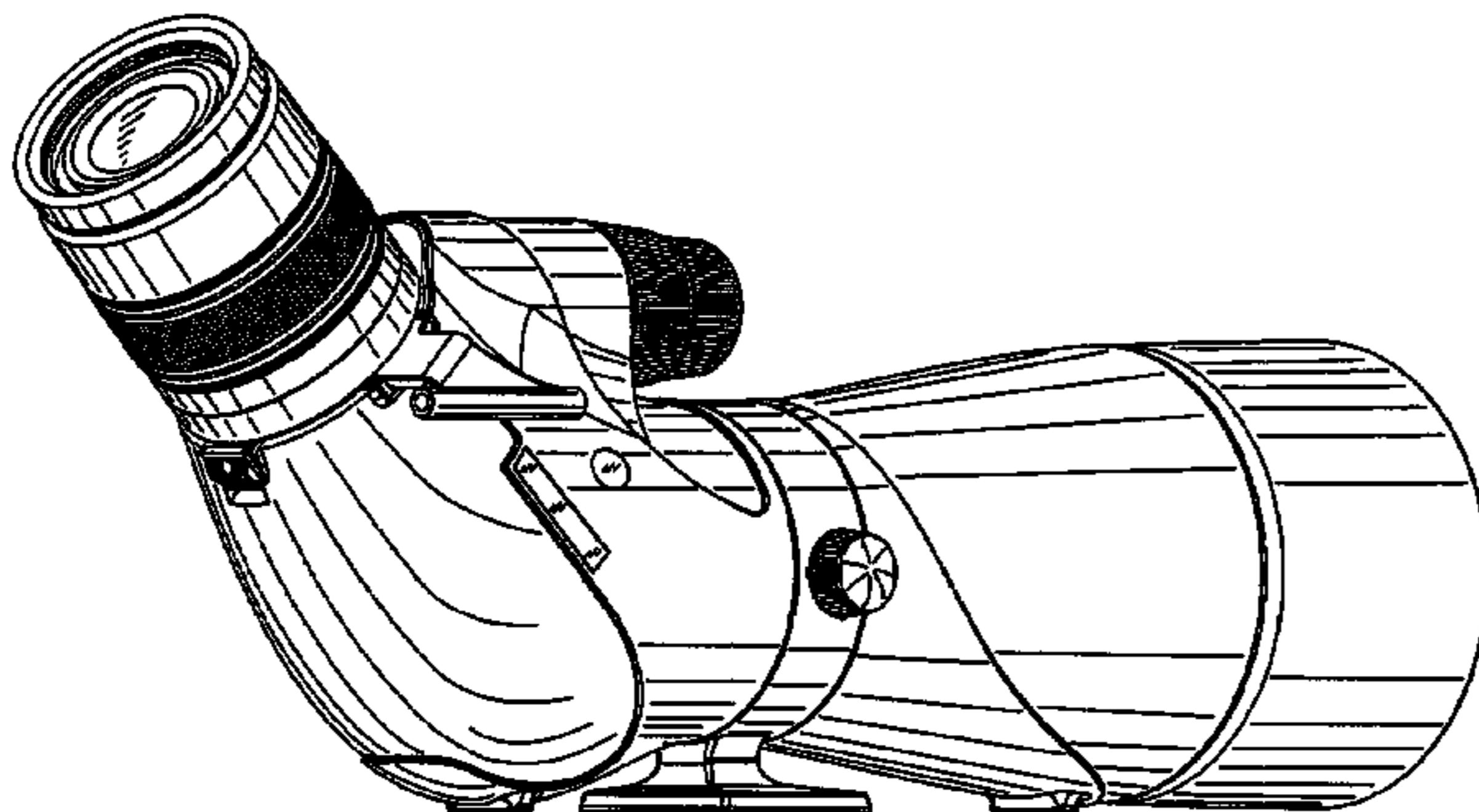
FIG. 5 is a right elevation view thereof;

FIG. 6 is a front elevation view thereof;

FIG. 7 is a top plan view thereof; and,

FIG. 8 is a bottom plan view thereof.

**1 Claim, 8 Drawing Sheets**



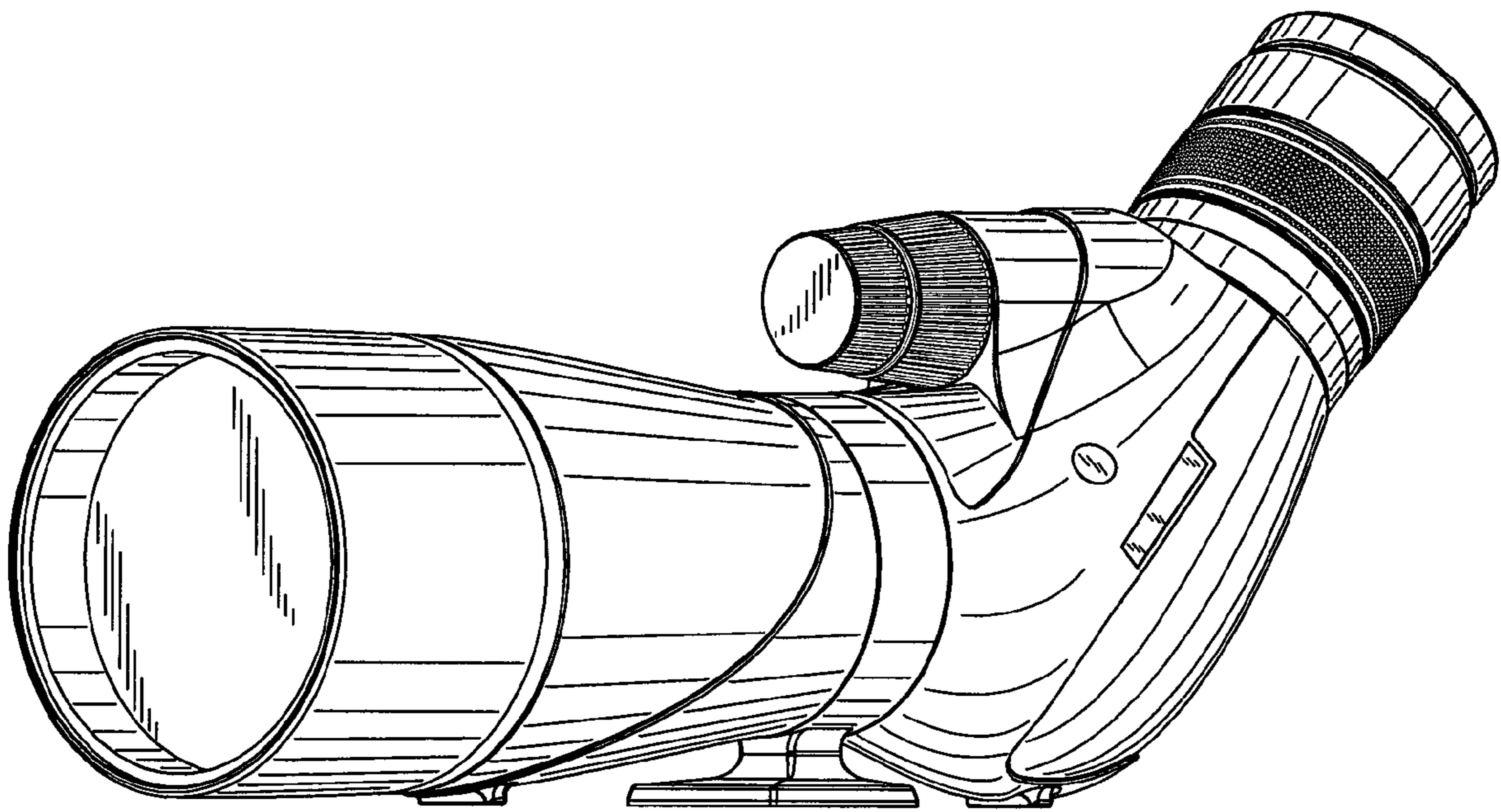


FIG. 1

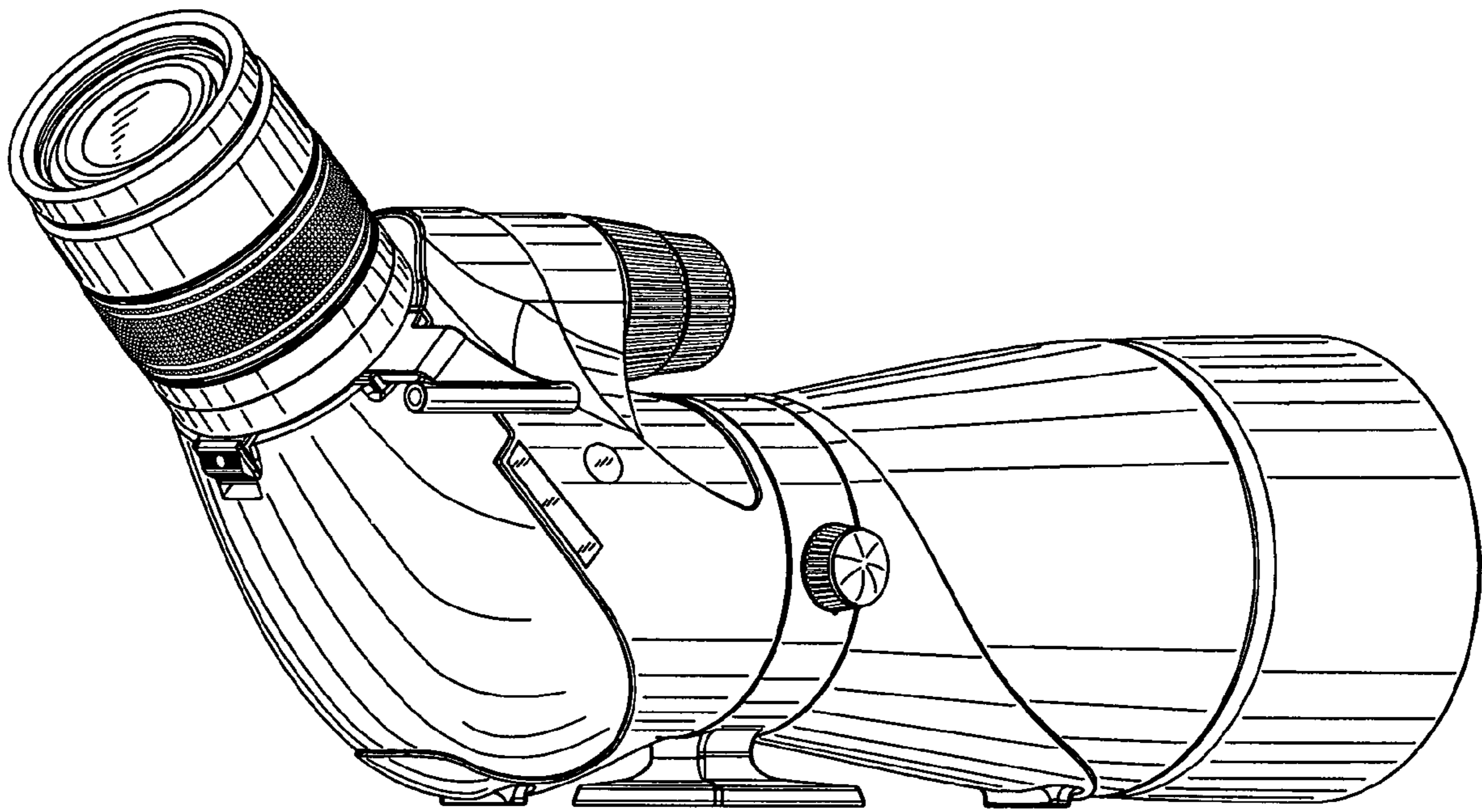


FIG. 2

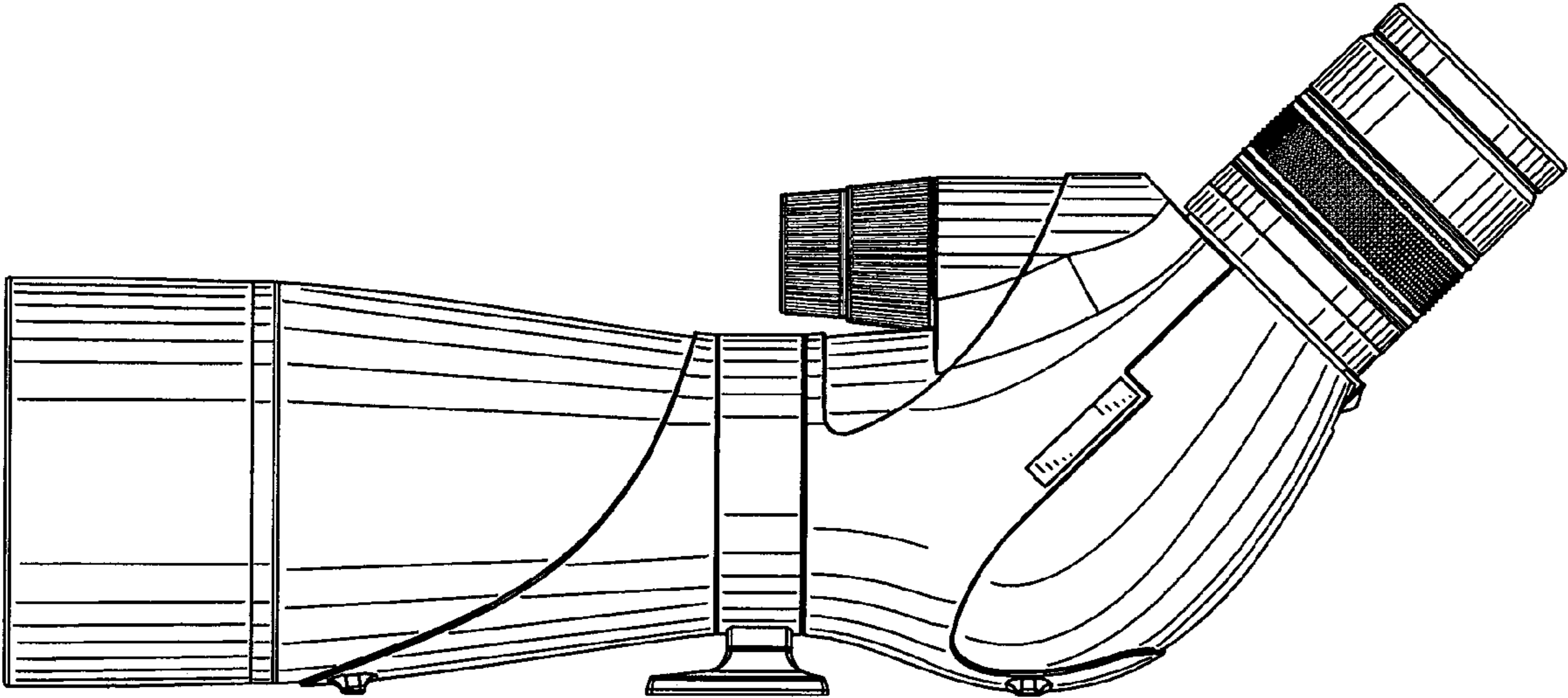


FIG. 3

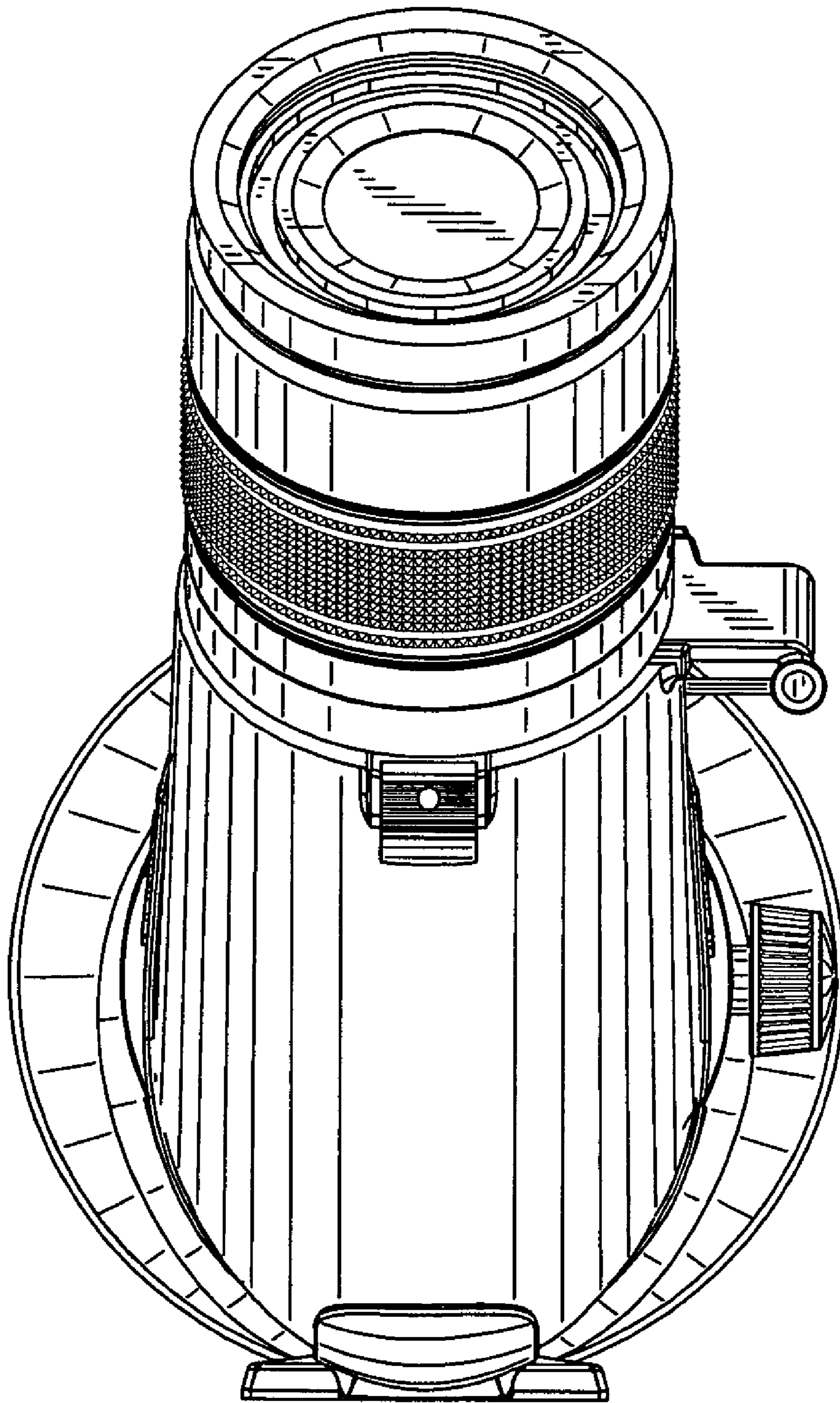


FIG. 4

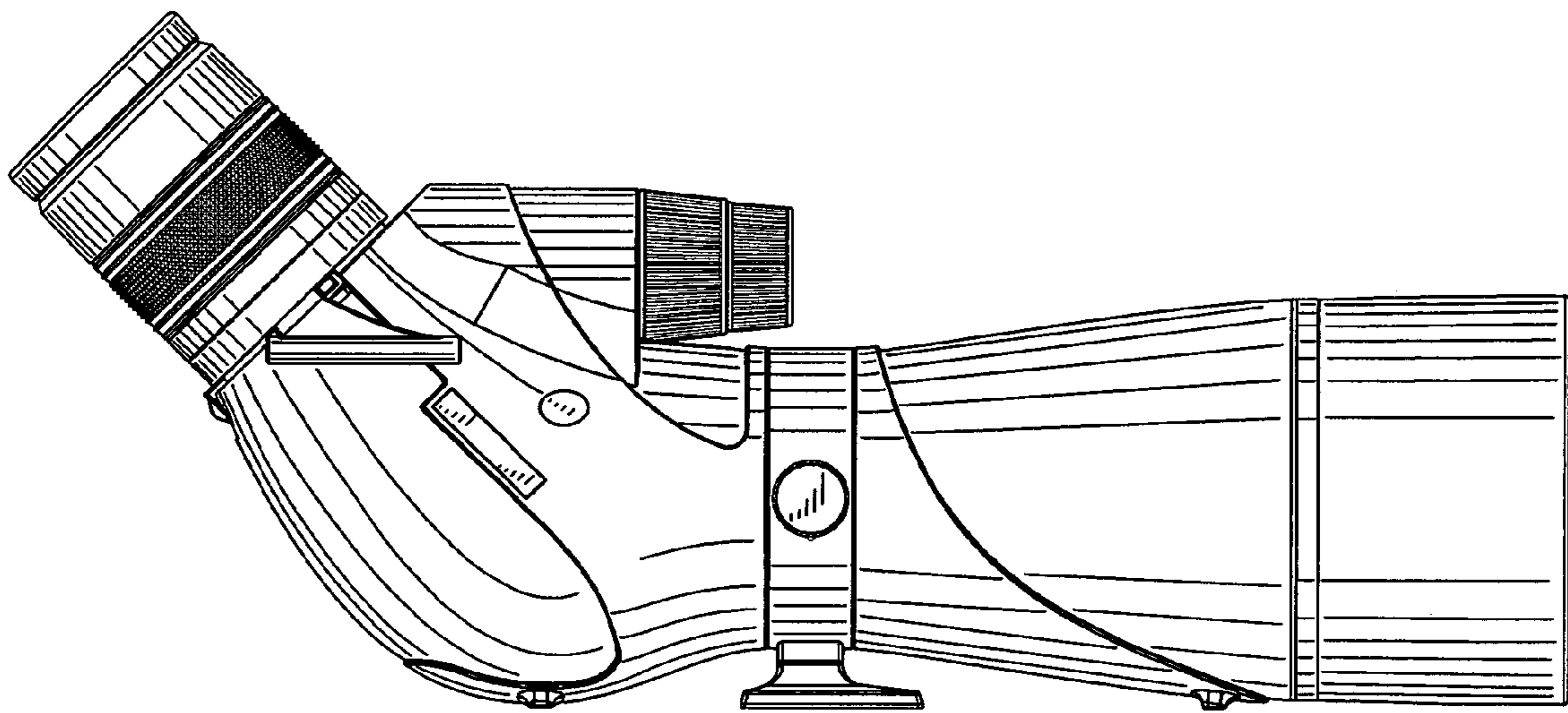


FIG. 5

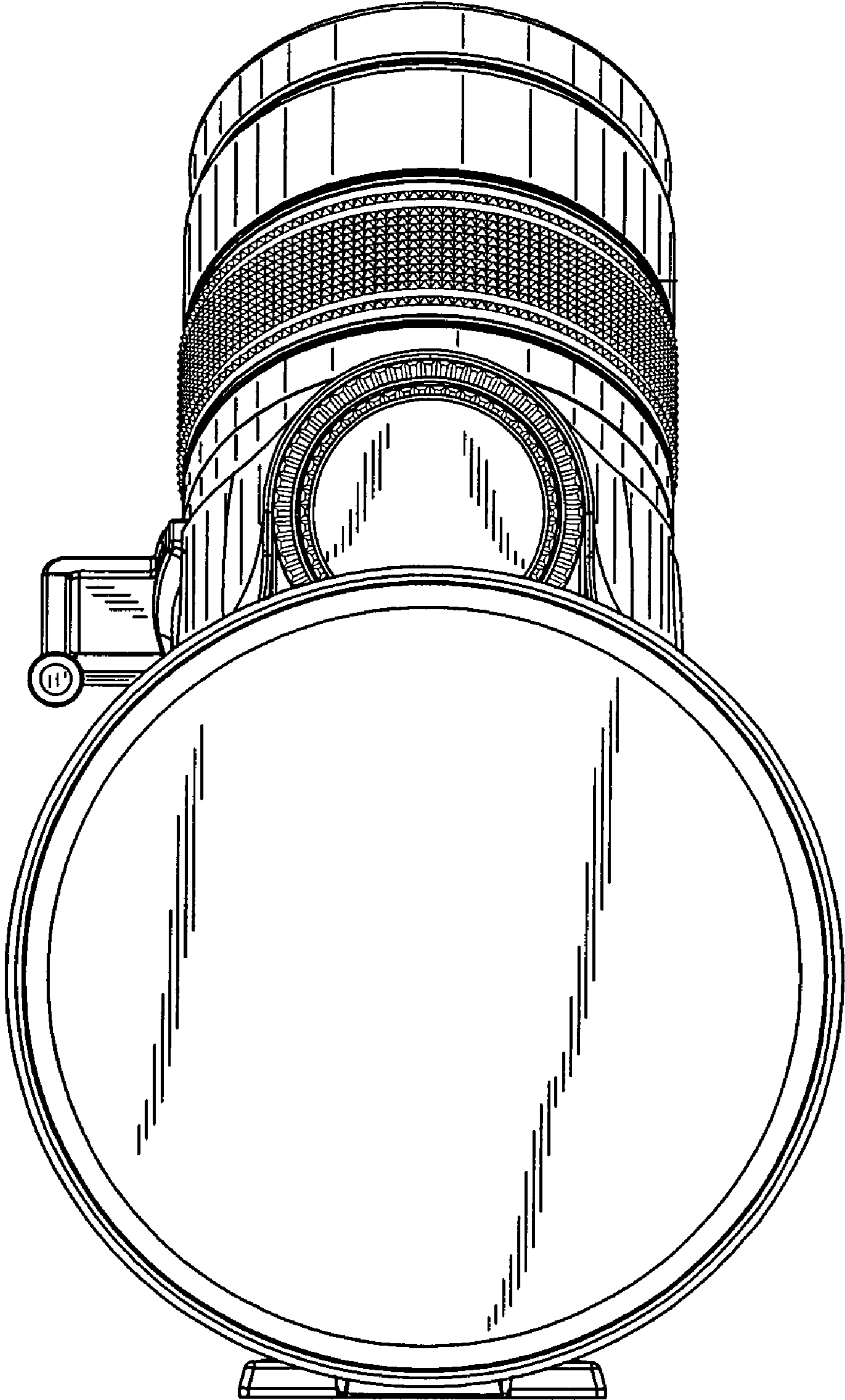


FIG. 6

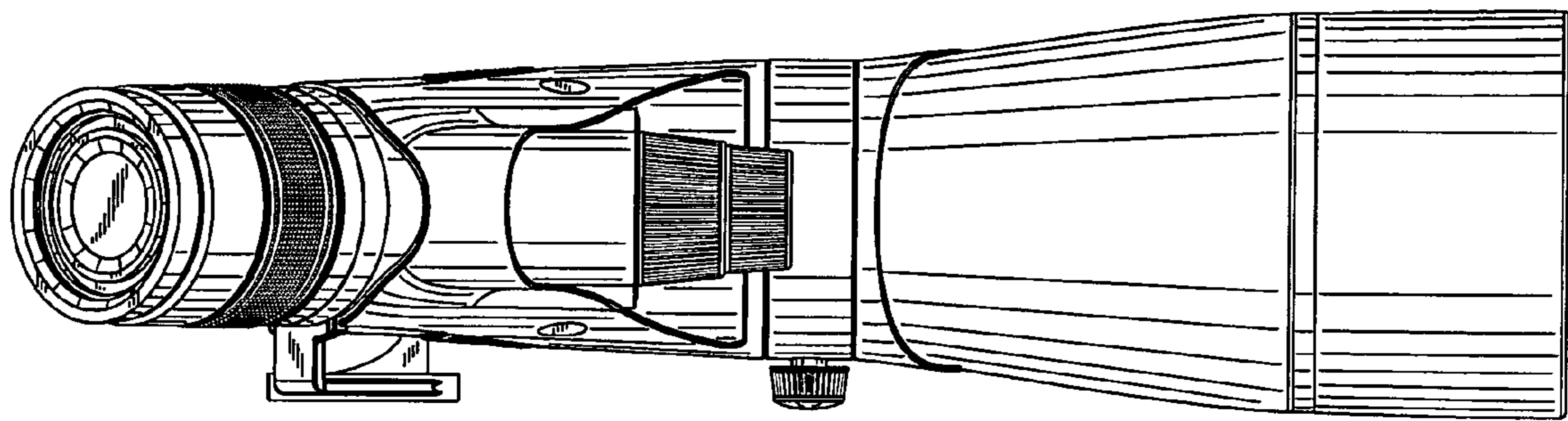


FIG. 7



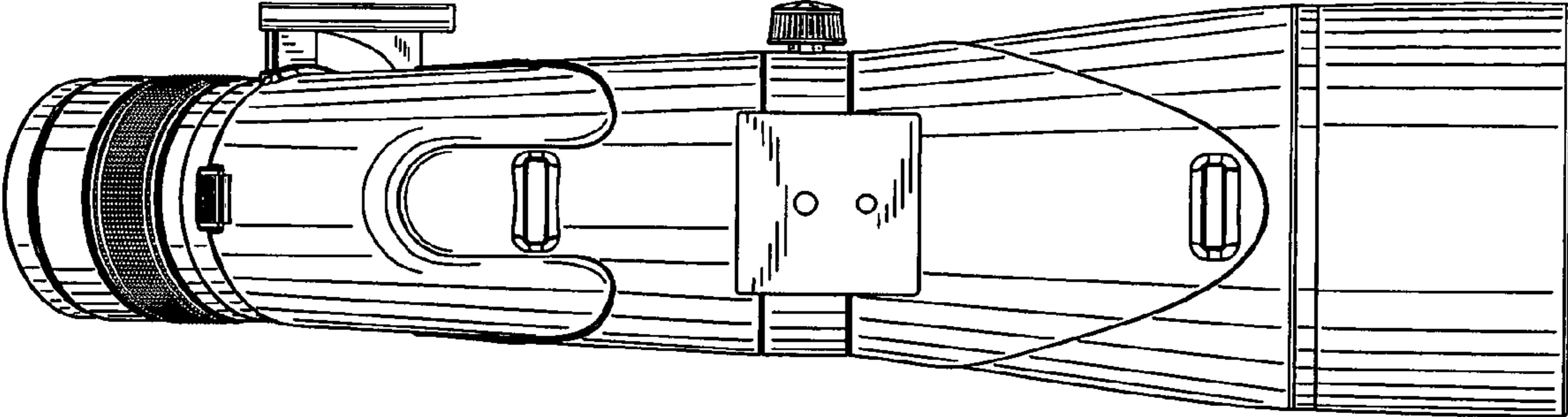


FIG. 8