



US00D595753S

(12) **United States Design Patent**  
**Tseng**

(10) **Patent No.:** **US D595,753 S**  
(45) **Date of Patent:** **\*\* Jul. 7, 2009**

(54) **LINEAR ACTUATOR**

(75) Inventor: **Kuan-Shu Tseng**, Xindian (TW)

(73) Assignee: **T-Motion Technology Co., Ltd.**, Taipei (TW)

(\*\*) Term: **14 Years**

(21) Appl. No.: **29/331,134**

(22) Filed: **Jan. 21, 2009**

(51) **LOC (9) Cl.** ..... **15-09**

(52) **U.S. Cl.** ..... **D15/143**

(58) **Field of Classification Search** ..... D13/118;  
D15/1-5, 143, 148, 149, 199; 74/89.15,  
74/90.15, 490.09, 411.5; 297/14, 325, 327;  
310/20, 20.8, 80

See application file for complete search history.

(56) **References Cited**

**U.S. PATENT DOCUMENTS**

6,321,611	B1 *	11/2001	Szu et al.	.....	74/89.37
D458,284	S *	6/2002	Landerholm et al.	.....	D15/143
D497,620	S *	10/2004	Morton	.....	D15/7
D514,146	S *	1/2006	Haneball	.....	D15/143
D522,028	S *	5/2006	Beadle et al.	.....	D15/148
D523,880	S *	6/2006	Christensen et al.	.....	D15/143
D577,753	S *	9/2008	Lund et al.	.....	D15/143

2005/0264109 A1\* 12/2005 Abrahamsen ..... 310/20  
2007/0169578 A1\* 7/2007 Christensen et al. .... 74/89.37

\* cited by examiner

*Primary Examiner*—Sandra Snapp  
*Assistant Examiner*—Patricia Palasik

(57) **CLAIM**

The ornamental design for a linear actuator, as shown and described.

**DESCRIPTION**

FIG. 1 is a perspective view of a linear actuator showing my new design;

FIG. 2 is a front view thereof;

FIG. 3 is a rear view thereof;

FIG. 4 is a left side view thereof;

FIG. 5 is a right side view thereof;

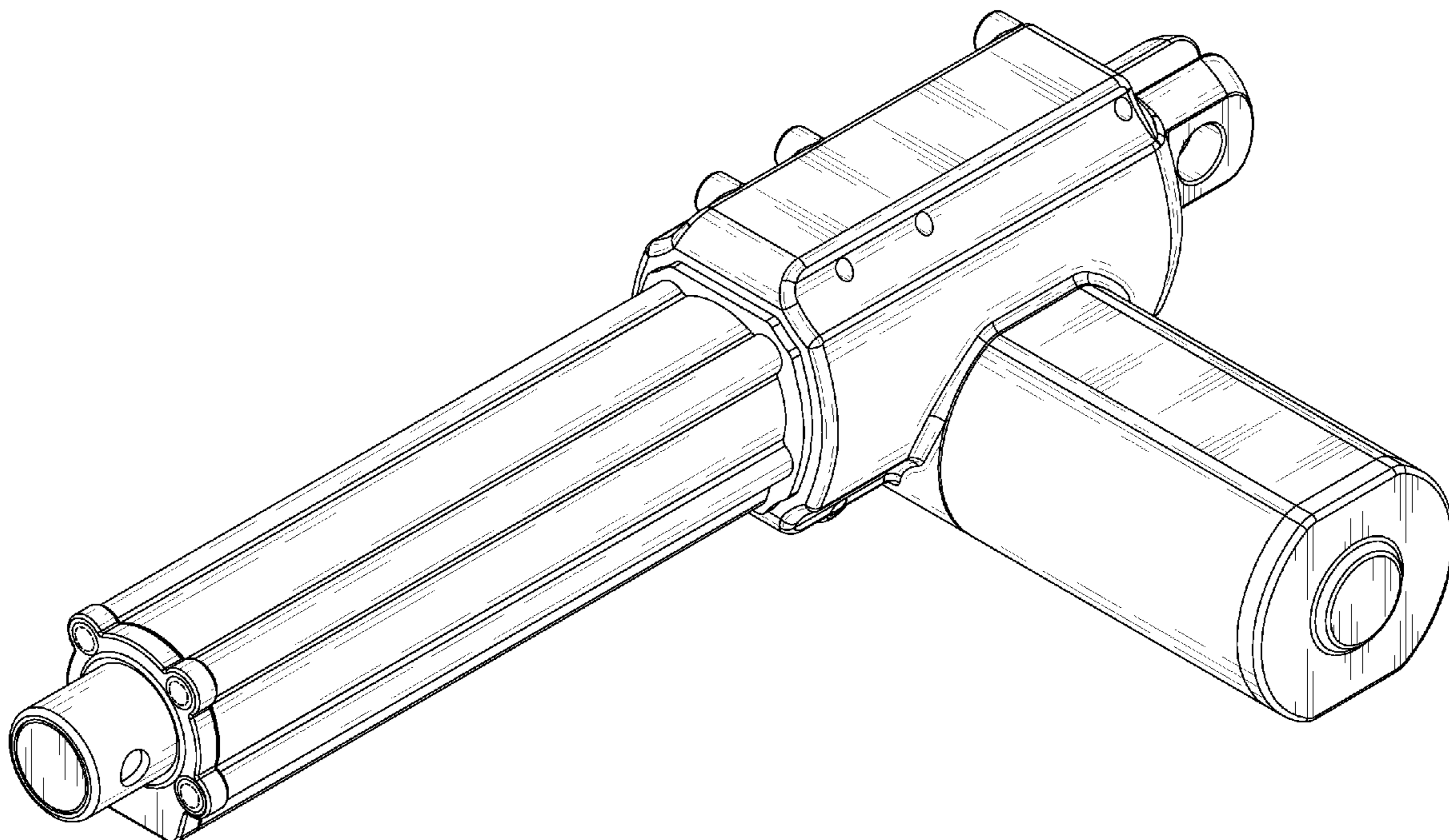
FIG. 6 is a top view thereof;

FIG. 7 is a bottom view thereof; and,

FIG. 8 is another perspective view showing the linear actuator.

The broken lines in the drawings depict unclaimed environmental subject matter.

**1 Claim, 6 Drawing Sheets**



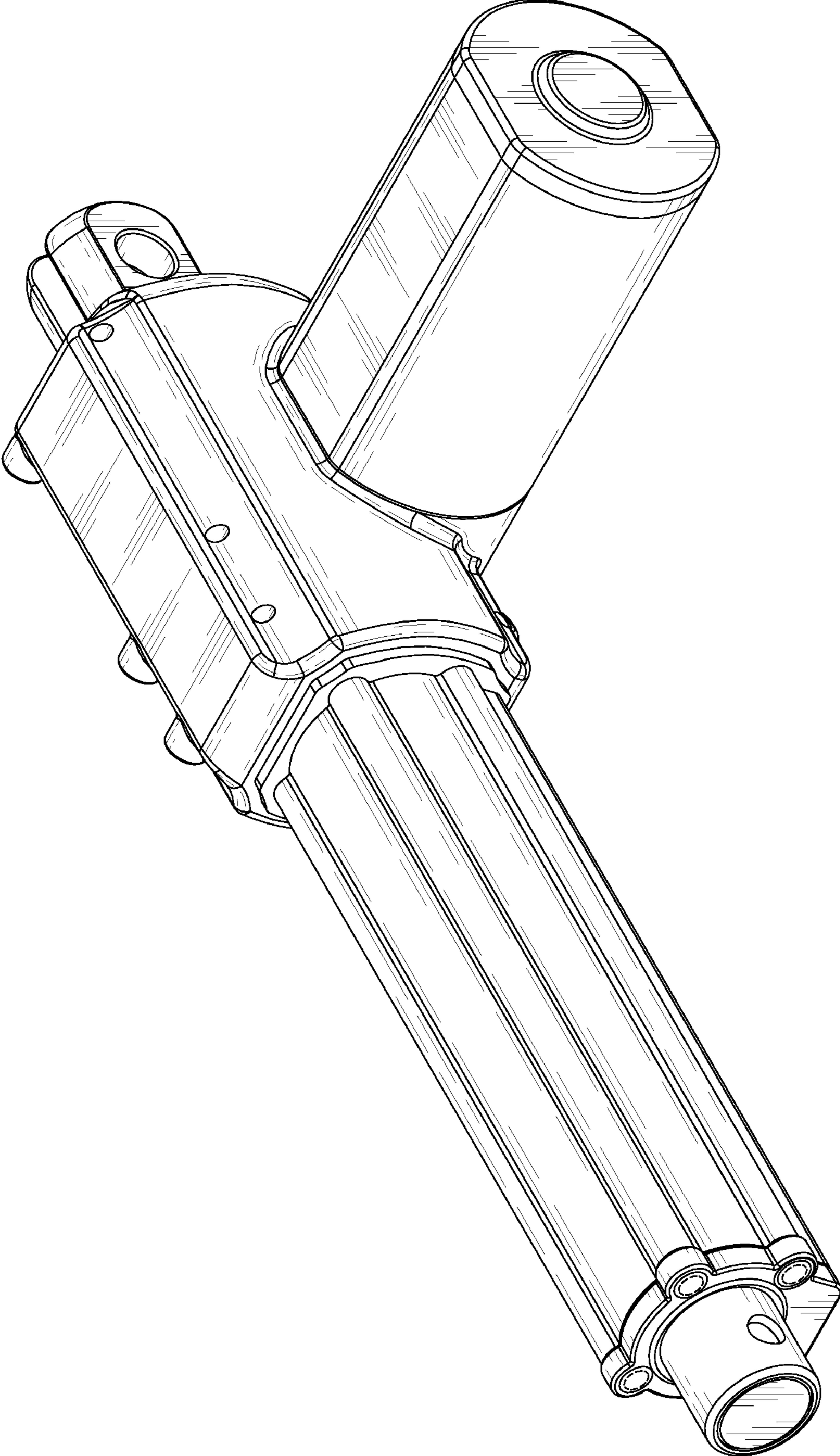


FIG.1

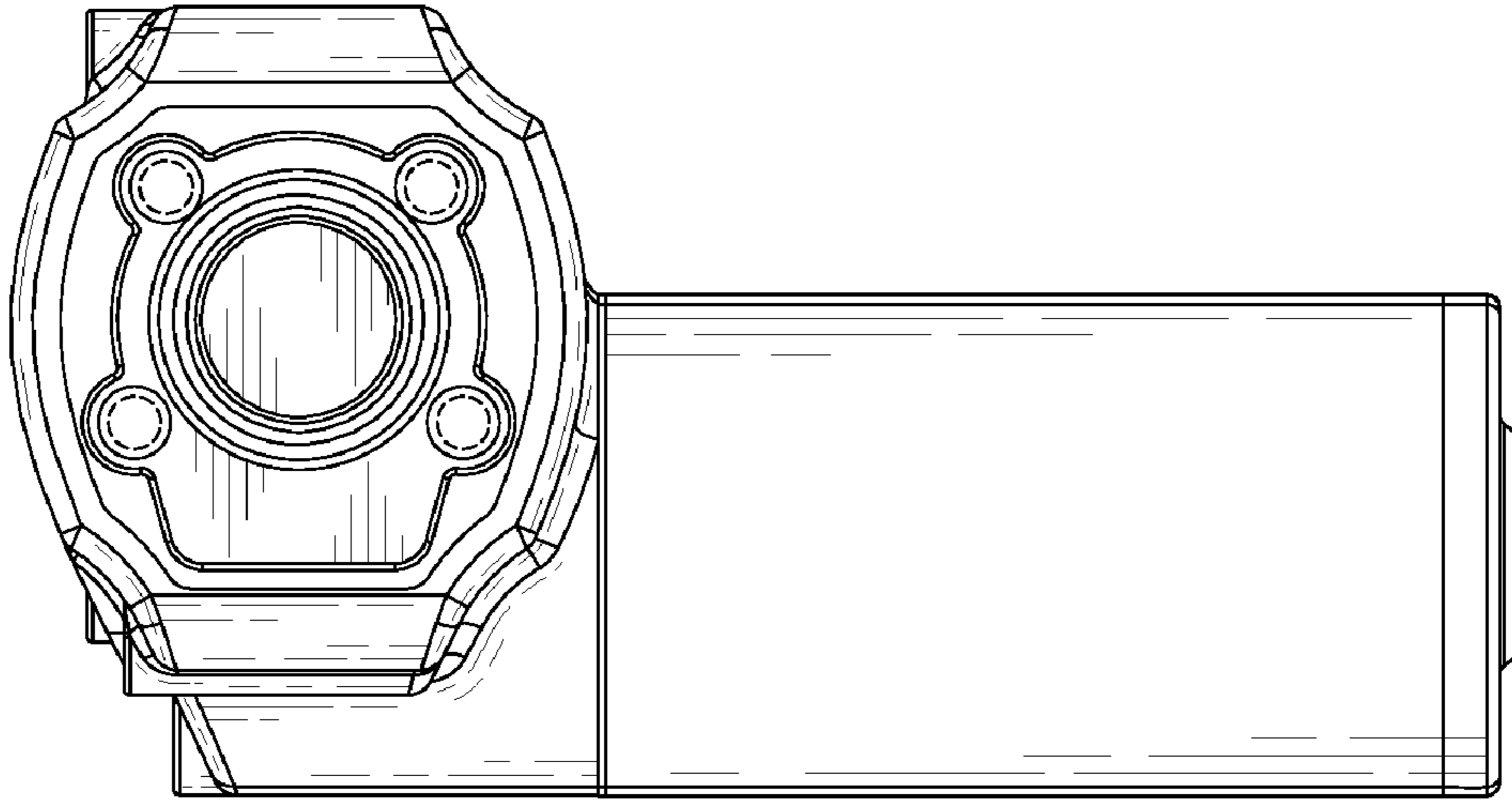


FIG. 2

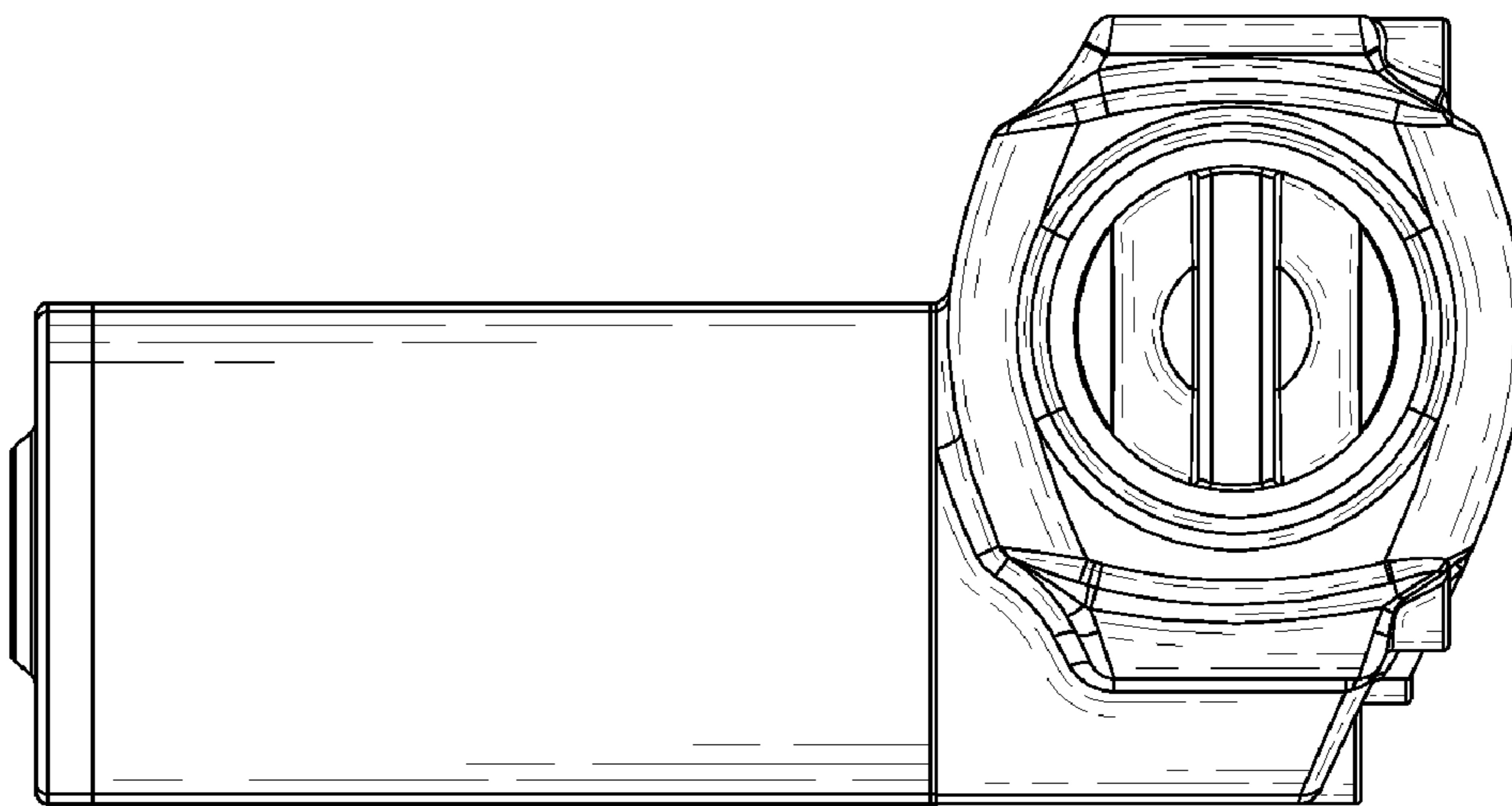


FIG. 3



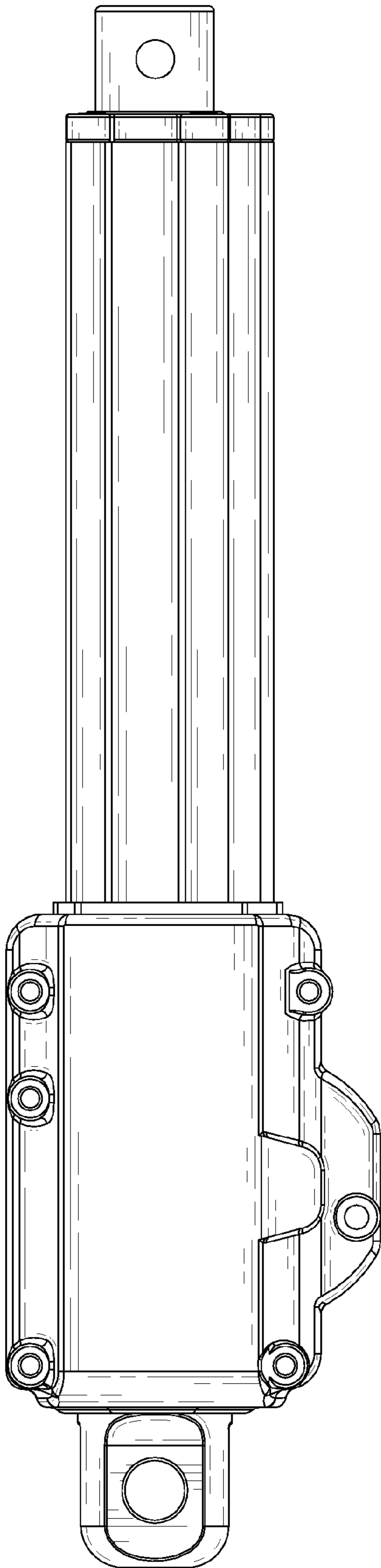


FIG. 4

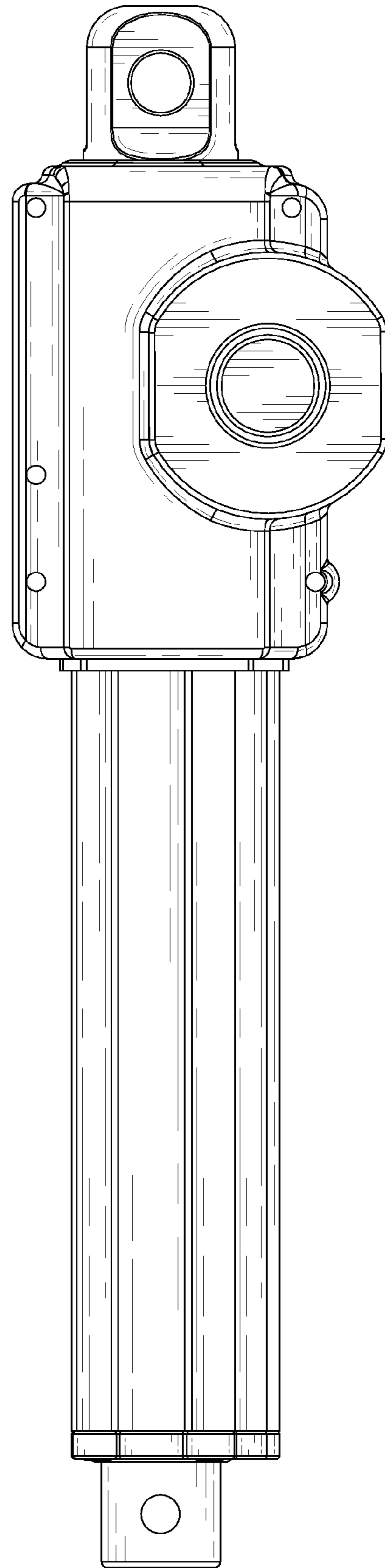


FIG. 5

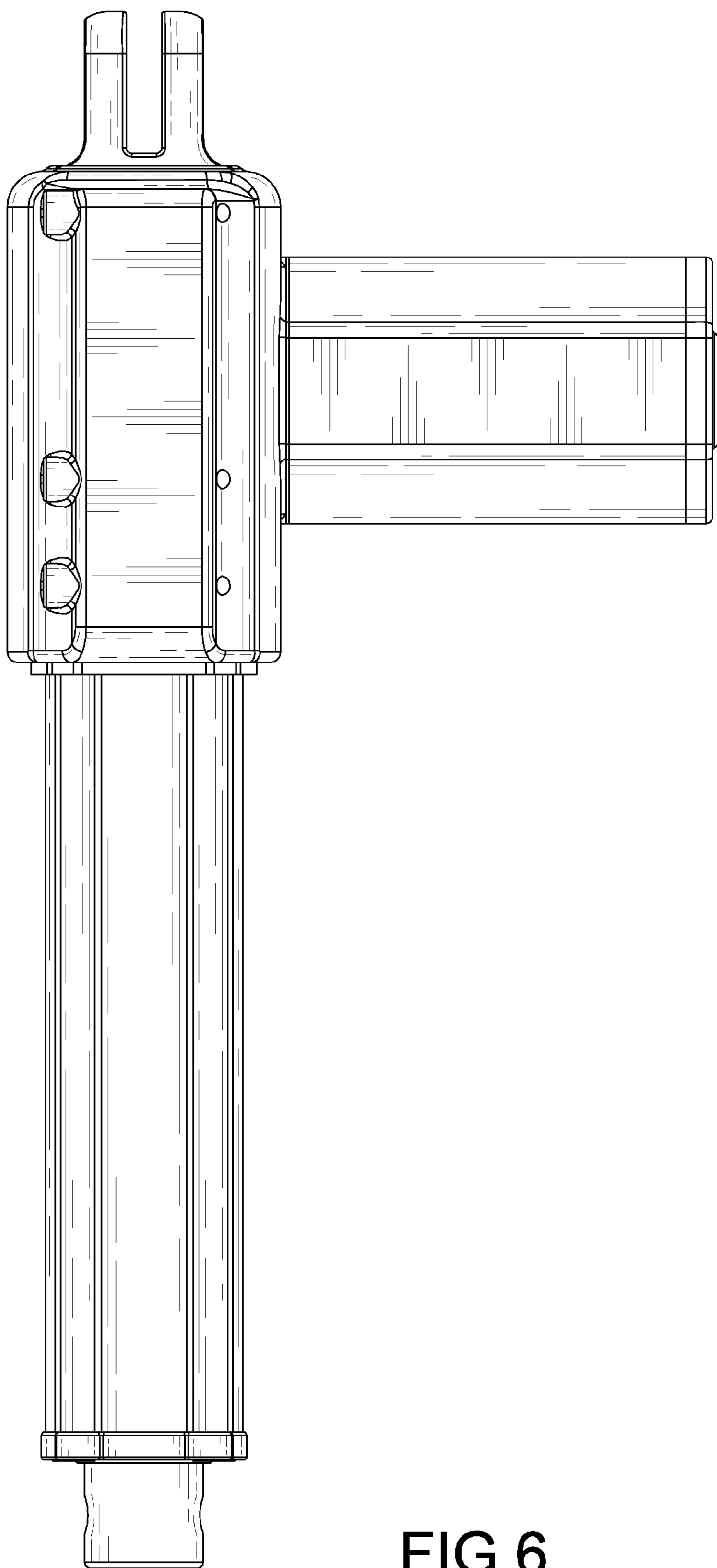


FIG.6

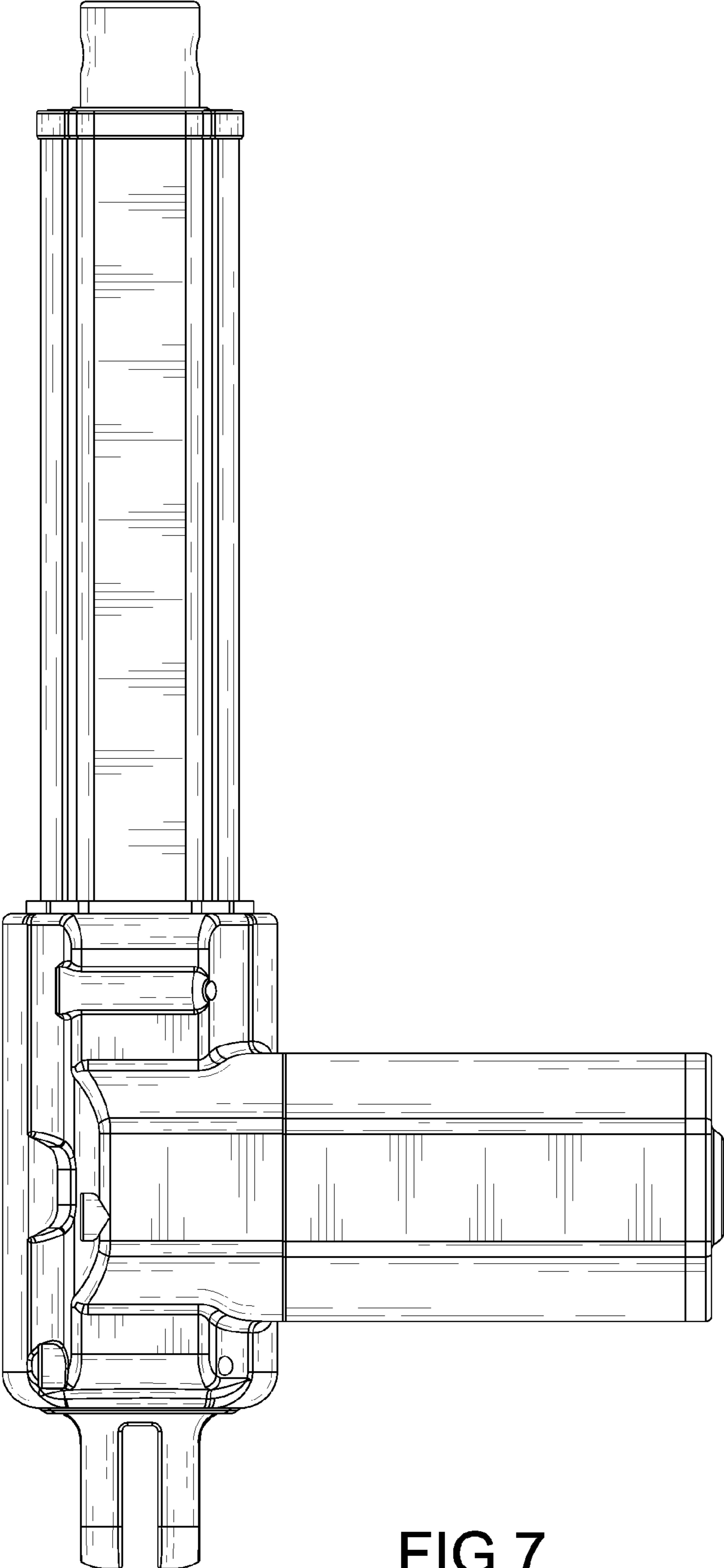


FIG.7

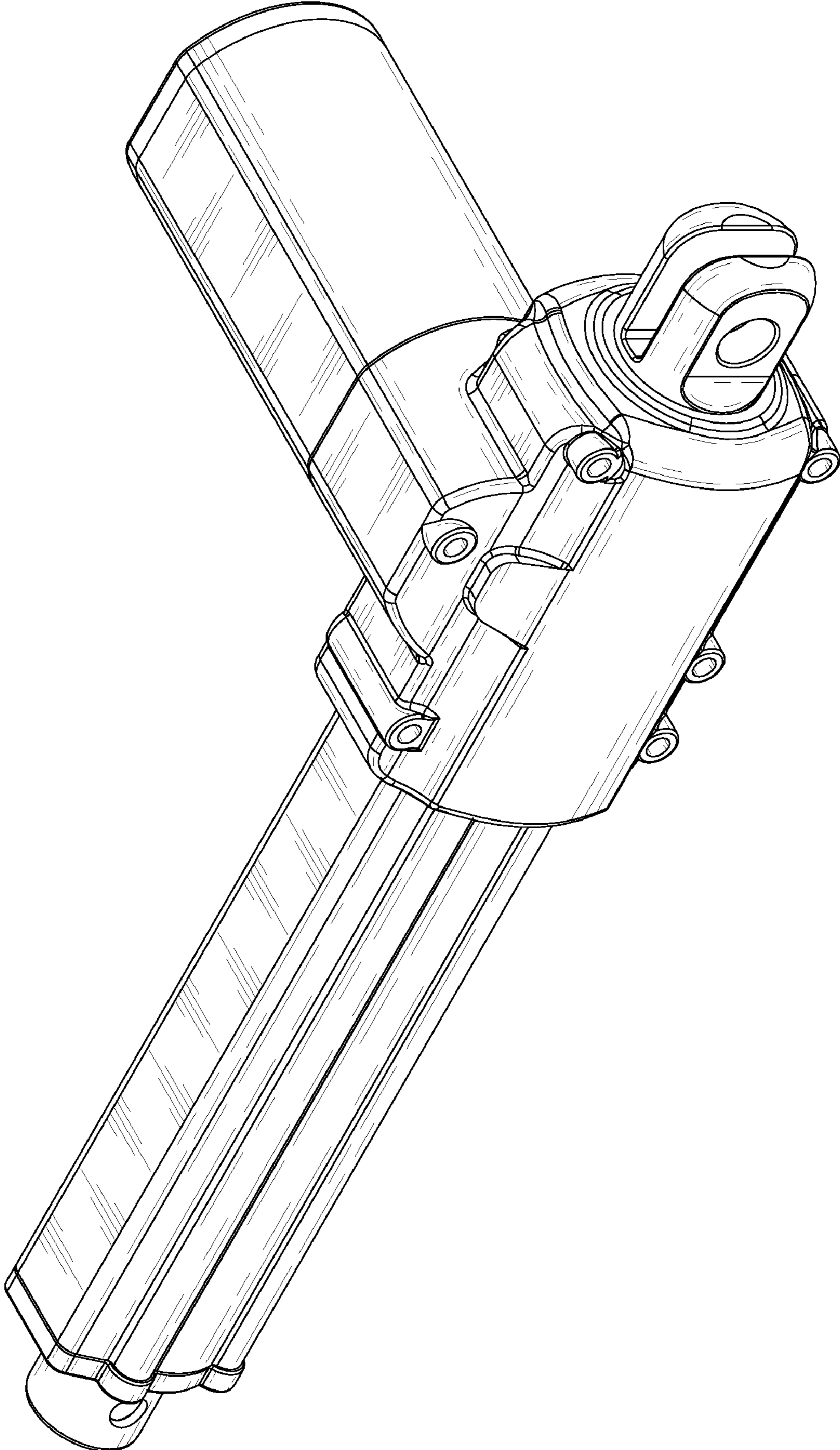


FIG.8