

US00D595752S

(12) **United States Design Patent**
Lin et al.

(10) **Patent No.:** **US D595,752 S**
(45) **Date of Patent:** **** Jul. 7, 2009**

(54) **LINEAR ACTUATOR**

(75) Inventors: **Jin-Cheng Lin**, Taichung (TW);
Hsin-An Chiang, Taichung (TW)

(73) Assignee: **Hiwin Mikrosystem Corp.**, Taichung (TW)

(**) Term: **14 Years**

(21) Appl. No.: **29/313,214**

(22) Filed: **Dec. 17, 2008**

(51) **LOC (9) Cl.** **15-09**

(52) **U.S. Cl.** **D15/143**

(58) **Field of Classification Search** D13/118;
D15/1-5, 143, 148, 149, 199; 74/89.15,
74/90.15, 490.09, 411.5; 297/14, 325, 327;
310/20, 20.8, 80

See application file for complete search history.

(56) **References Cited**

U.S. PATENT DOCUMENTS

6,321,611 B1 * 11/2001 Szu et al. 74/89.37

D458,284 S * 6/2002 Landerholm et al. D15/143
D497,620 S * 10/2004 Morton D15/7
D514,146 S * 1/2006 Haneball D15/143
D522,028 S * 5/2006 Beadle et al. D15/148
D523,880 S * 6/2006 Christensen et al. D15/143
D577,753 S * 9/2008 Lund et al. D15/143
2005/0264109 A1 * 12/2005 Abrahamsen 310/20
2007/0169578 A1 * 7/2007 Christensen et al. 74/89.37

* cited by examiner

Primary Examiner—Sandra Snapp

Assistant Examiner—Patricia Palasik

(74) *Attorney, Agent, or Firm*—Charles E. Baxley

(57) **CLAIM**

The ornamental design for a linear actuator, as shown.

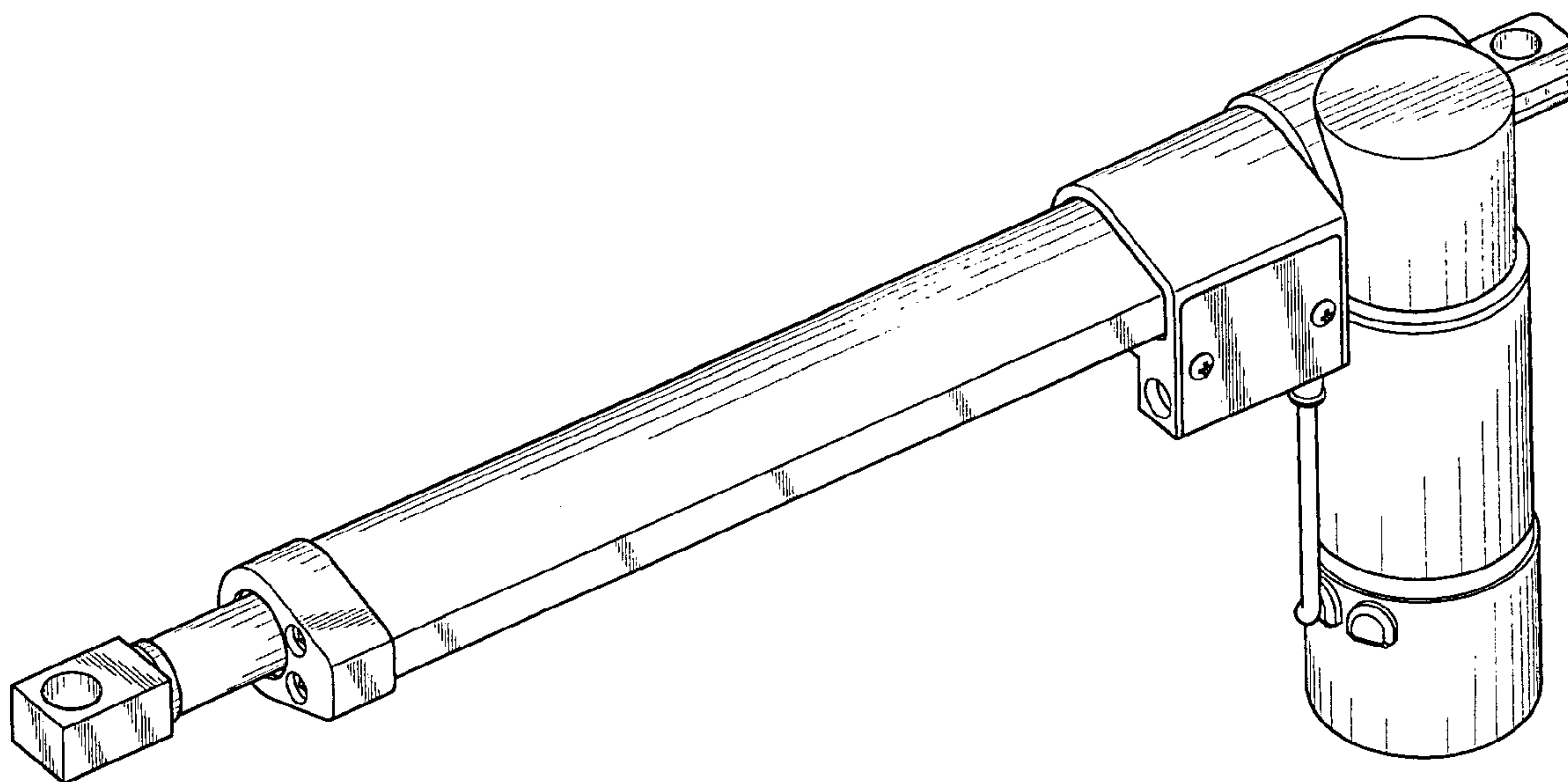
DESCRIPTION

FIG. 1 is a front perspective view of a linear actuator showing our new design thereof;

FIG. 2 is a rear perspective view thereof; and,

FIG. 3 is a bottom perspective view thereof.

1 Claim, 3 Drawing Sheets



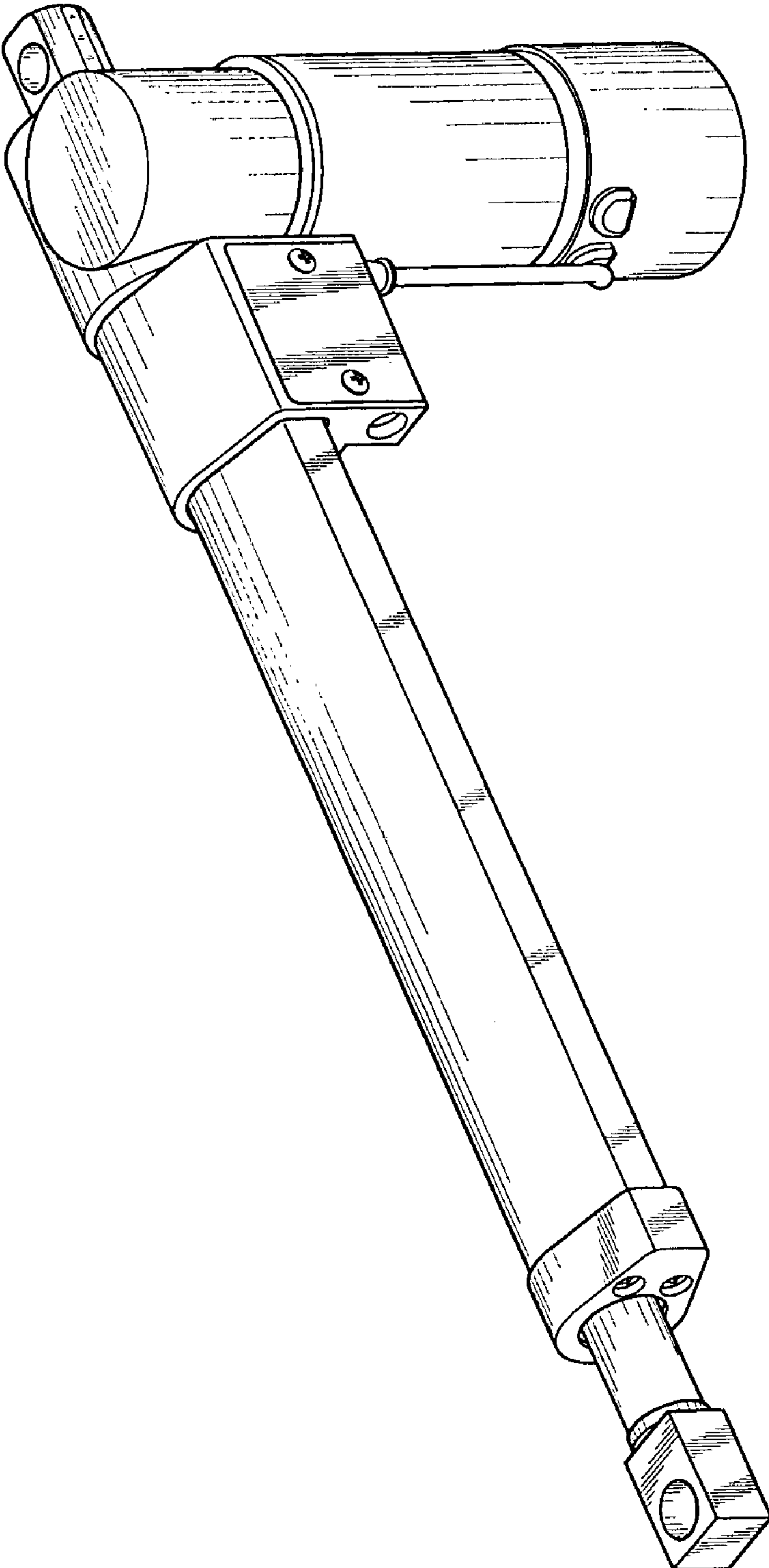


FIG. 1

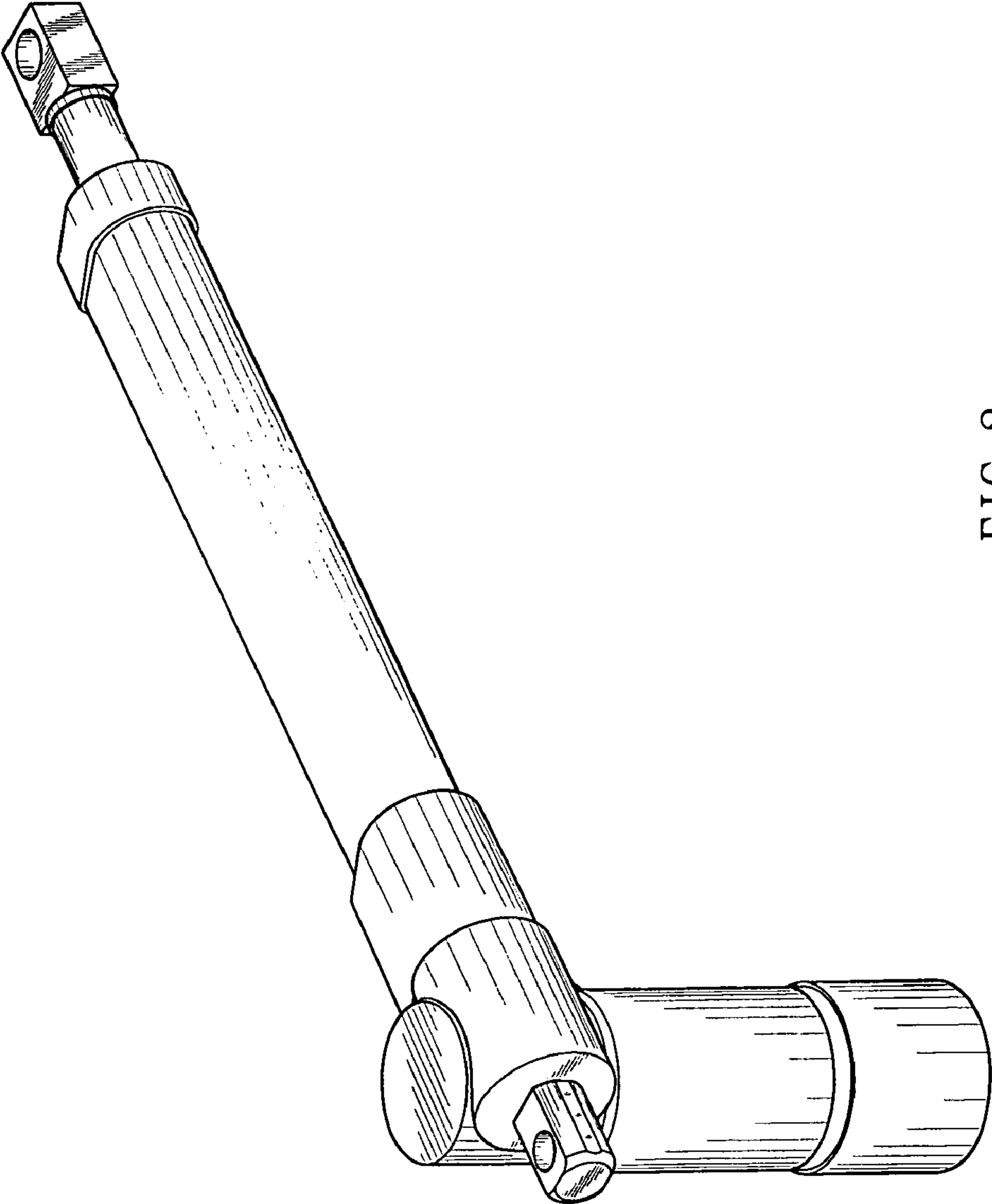


FIG. 2

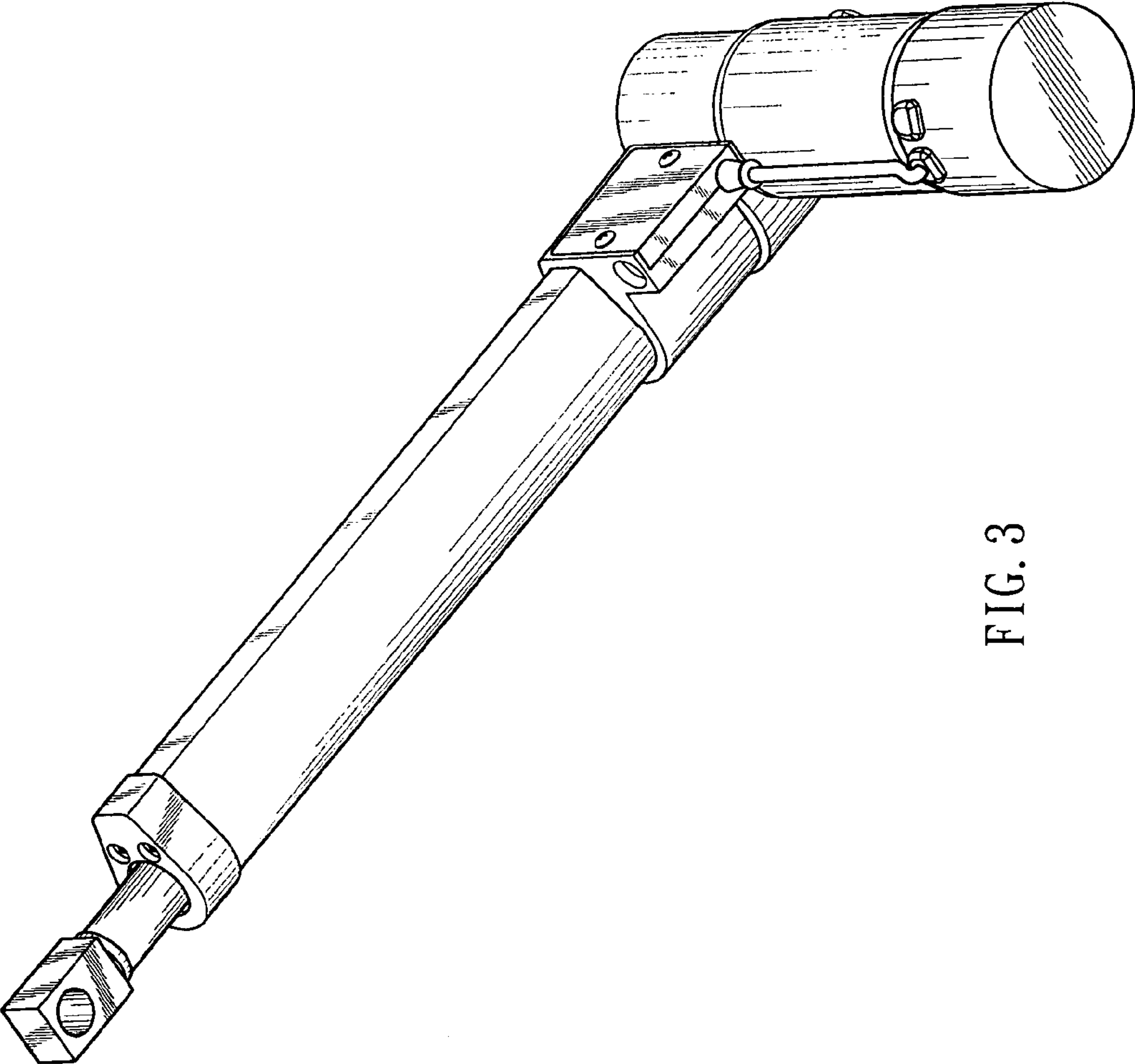


FIG. 3