



US00D595751S

(12) **United States Design Patent**
Sakata et al.

(10) **Patent No.:** **US D595,751 S**
(45) **Date of Patent:** **** Jul. 7, 2009**

(54) **THROWAWAY INSERT FOR METAL CUTTING TOOL**

(75) Inventors: **Naoki Sakata**, Hyogo (JP); **Shinya Uesaka**, Hyogo (JP); **Takuichiro Tayama**, Hyogo (JP); **Yasuyuki Kanada**, Hyogo (JP); **Keiji Kinoshita**, Hyogo (JP); **Hiroki Yonekura**, Hyogo (JP)

(73) Assignee: **Sumitomo Electric Hardmetal Corp.**, Hyogo (JP)

(**) Term: **14 Years**

(21) Appl. No.: **29/331,359**

(22) Filed: **Jan. 23, 2009**

Related U.S. Application Data

(62) Division of application No. 29/274,289, filed on Apr. 11, 2007.

Foreign Application Priority Data

Oct. 12, 2006	(JP)	2006-027522
Oct. 12, 2006	(JP)	2006-027543
Oct. 12, 2006	(JP)	2006-027544
Oct. 12, 2006	(JP)	2006-027545
Oct. 12, 2006	(JP)	2006-027546
Oct. 12, 2006	(JP)	2006-027547

(51) **LOC (9) Cl.** **15-09**

(52) **U.S. Cl.** **D15/139**

(58) **Field of Classification Search** D15/138, D15/139, 140; 407/35, 42, 112-119
See application file for complete search history.

(56) **References Cited**

U.S. PATENT DOCUMENTS

3,518,737	A	7/1970	Hood
4,412,763	A	11/1983	Shallenberger, Jr.
5,007,775	A	4/1991	Pantzar
D401,253	S	11/1998	Inayama et al.

D544,004	S	6/2007	Janness
D550,730	S	9/2007	Nicholas
7,281,884	B2	10/2007	Maeda
2004/0202515	A1	10/2004	Satran et al.
2005/0063792	A1	3/2005	Satran
2005/0214081	A1	9/2005	Satran et al.
2007/0257544	A1	11/2007	Baker et al.
2008/0003067	A1	1/2008	Ejderklint et al.
2008/0138162	A1*	6/2008	Webb et al. 407/113
2008/0226403	A1*	9/2008	Craig 407/113
2008/0304924	A1*	12/2008	Engstrom et al. 407/114
2009/0035076	A1*	2/2009	Hecht 407/113
2009/0047078	A1*	2/2009	Kirchberger 407/114

* cited by examiner

Primary Examiner—Sandra Snapp

Assistant Examiner—Patricia Palasik

(74) *Attorney, Agent, or Firm*—McDermott Will & Emery LLP

(57) **CLAIM**

The ornamental design for a throwaway insert for a metal cutting tool, as shown and described.

DESCRIPTION

FIG. 1 is a perspective view of a throwaway insert for a metal cutting tool of a present design;

FIG. 2 is a front view thereof;

FIG. 3 is a plan view thereof;

FIG. 4 is a rear view thereof;

FIG. 5 is a bottom view thereof;

FIG. 6 is a left-hand side view thereof;

FIG. 7 is a right-hand side view thereof;

FIG. 8 is a sectional view taken along line 8—8 of FIG. 2;

FIG. 9 is a perspective view of the throwaway insert for a metal cutting tool in use; and,

FIG. 10 is an elevation view of the throwaway insert for a metal cutting tool in use.

The broken lines in the drawings depict unclaimed environmental subject matter.

1 Claim, 3 Drawing Sheets

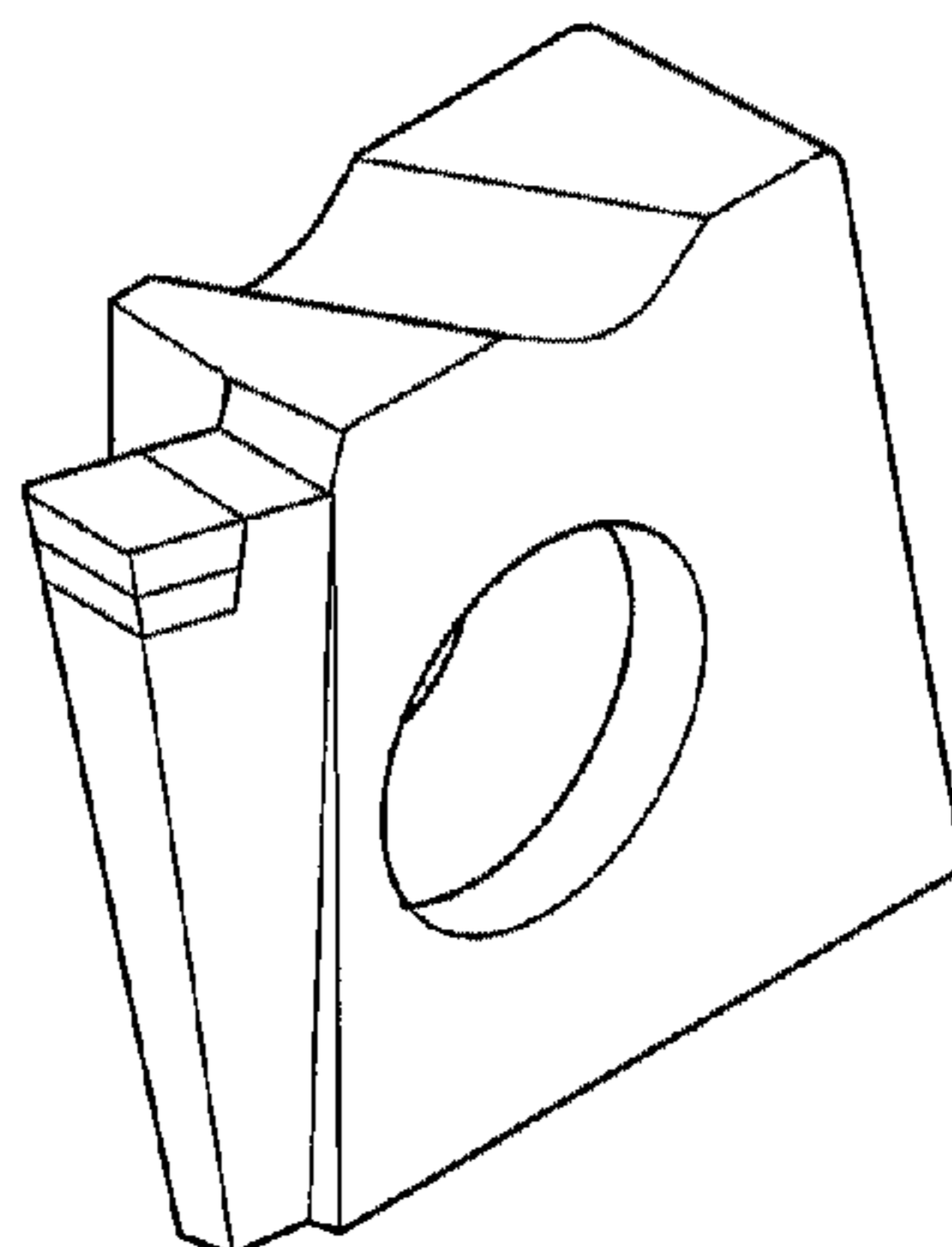


Fig. 1

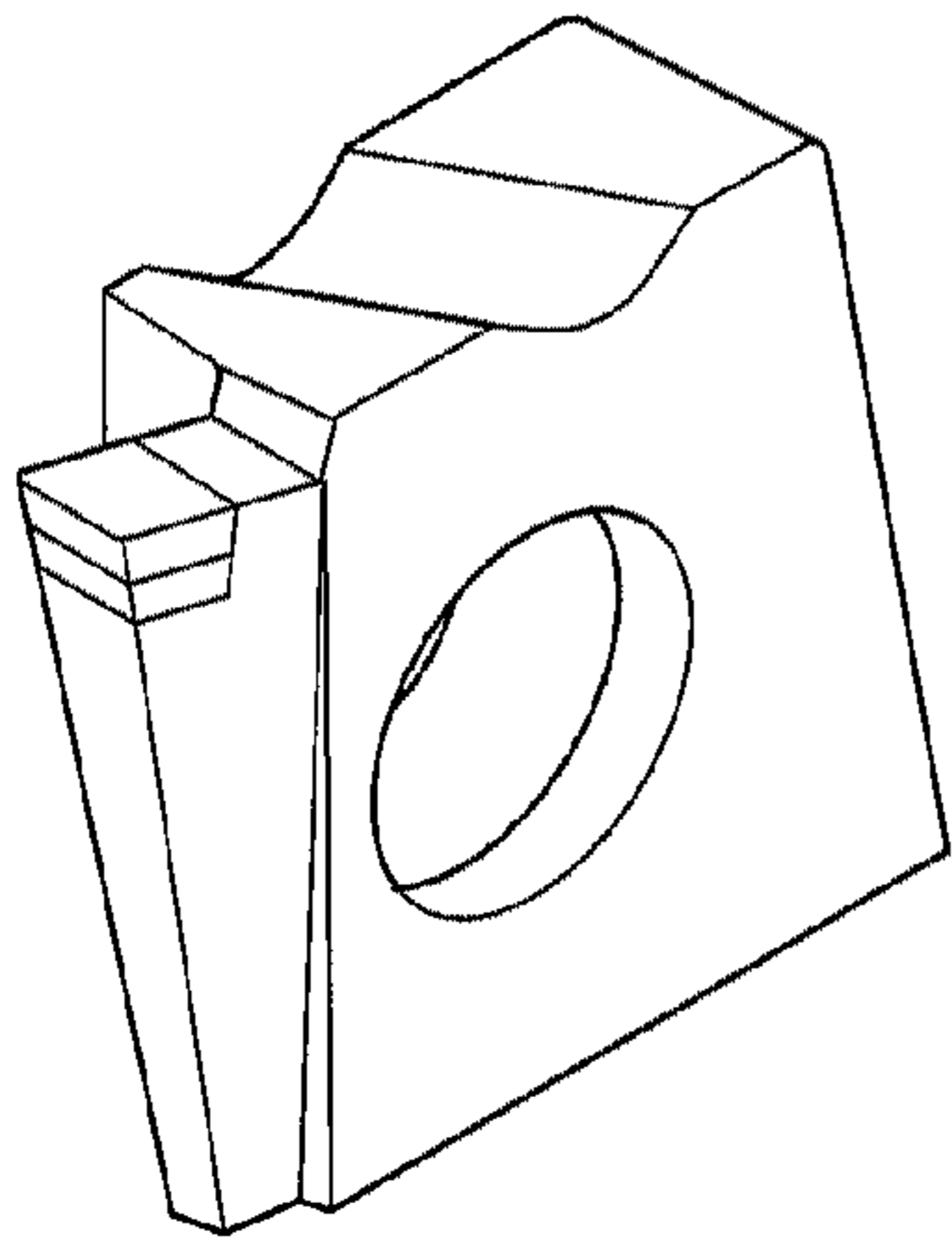


Fig. 3

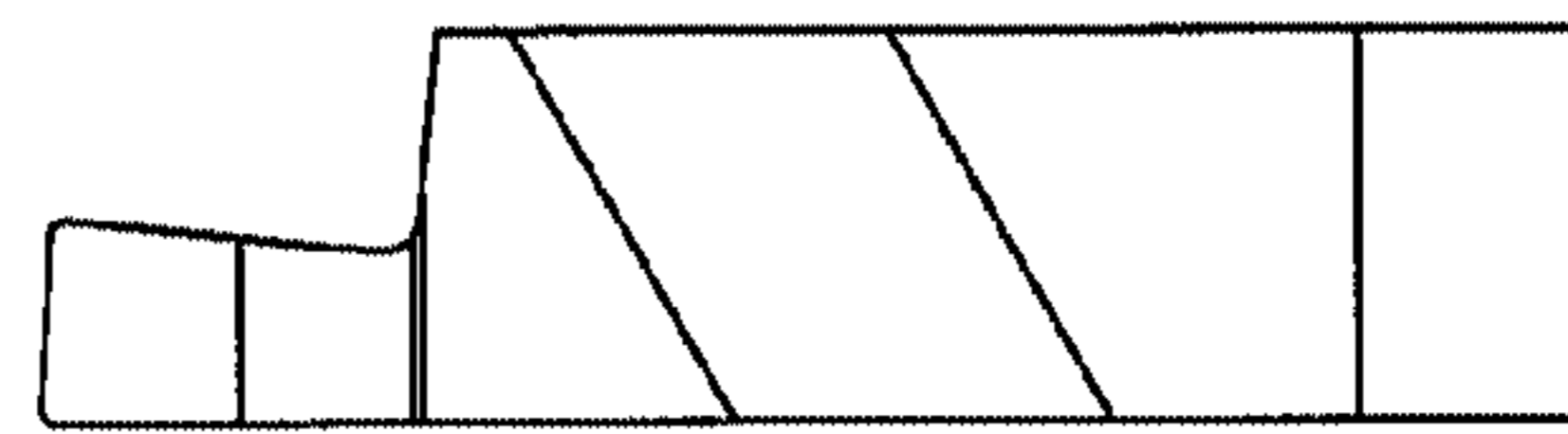


Fig. 2

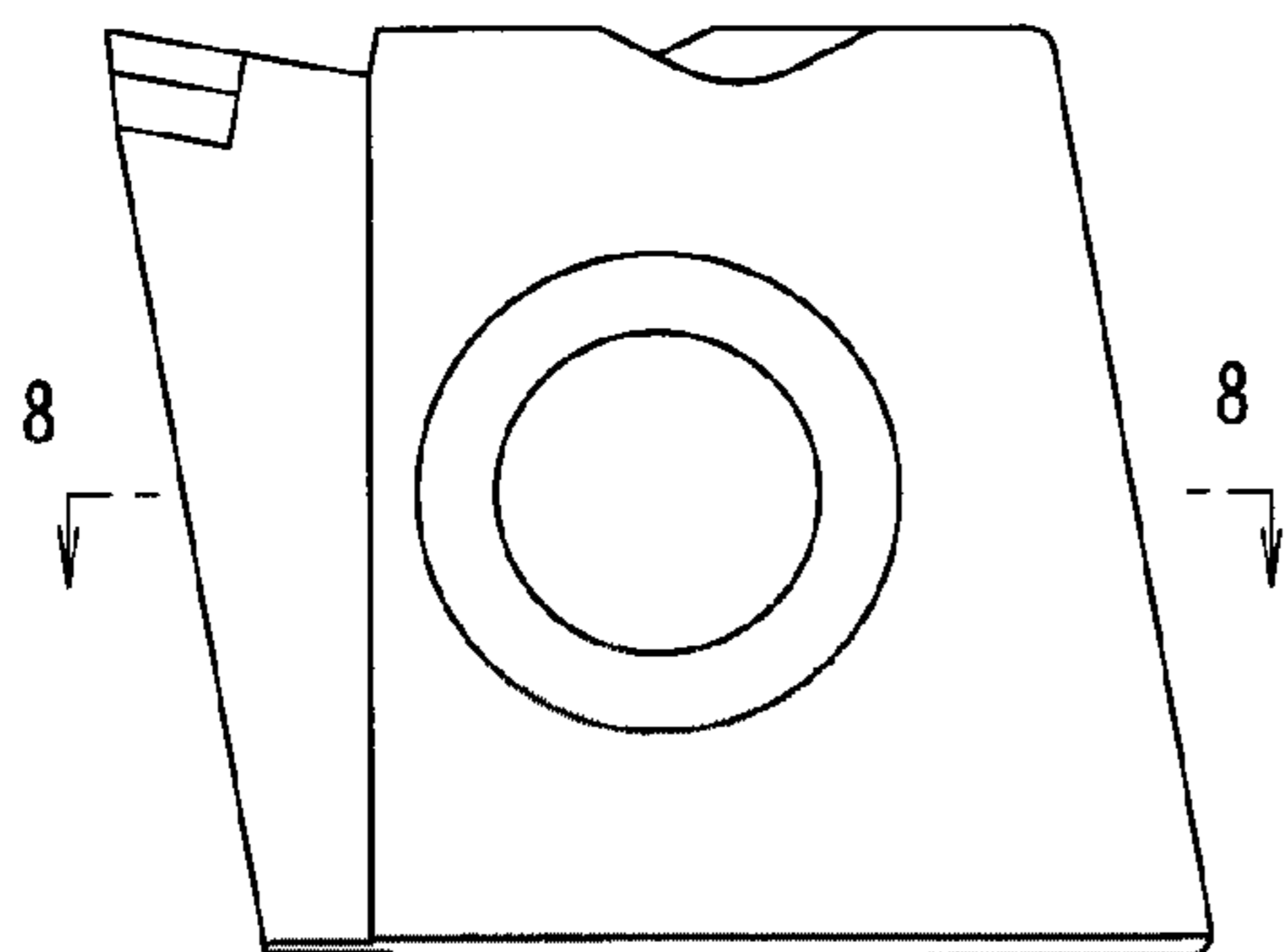


Fig. 4

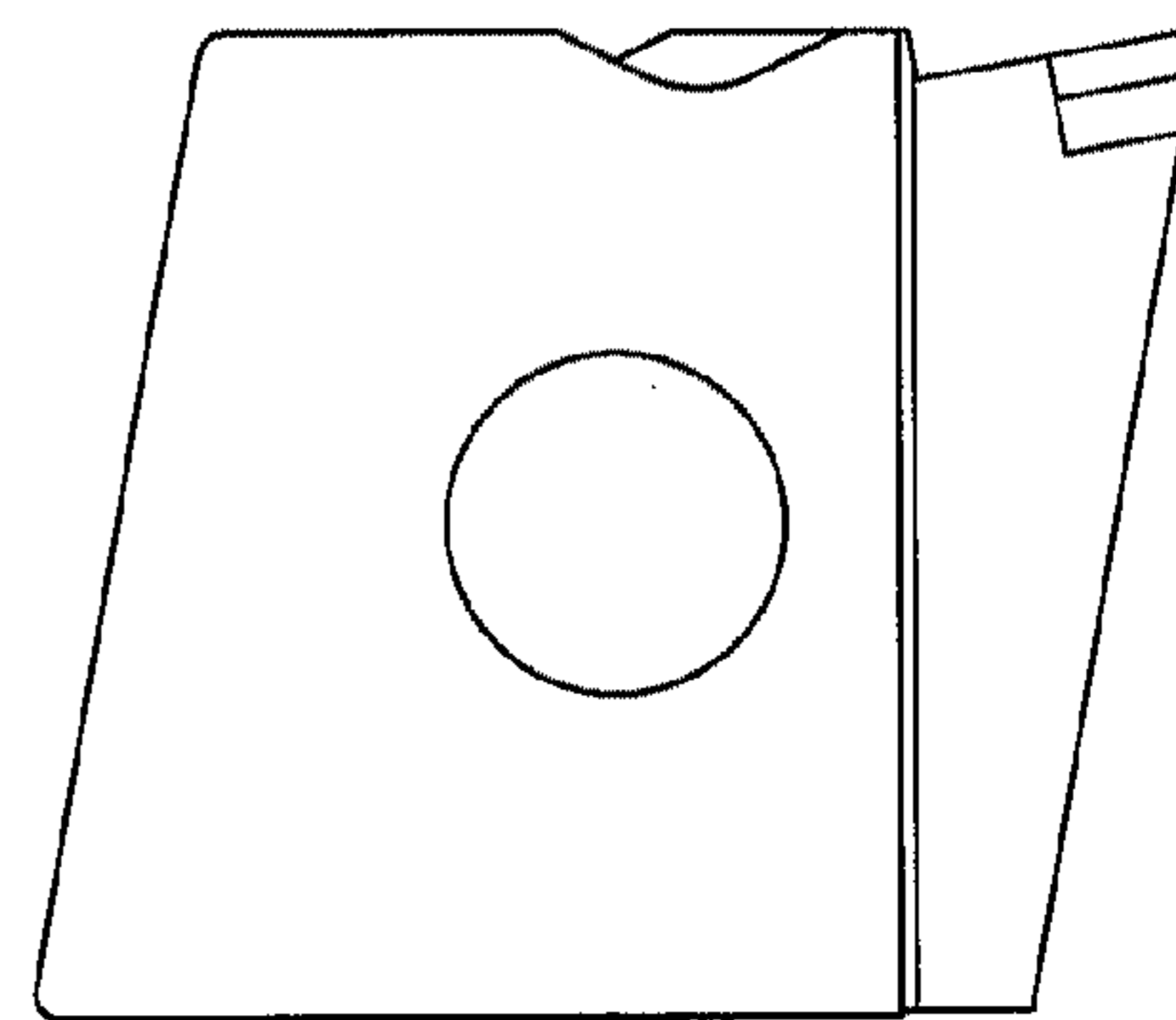


Fig. 5



Fig. 7

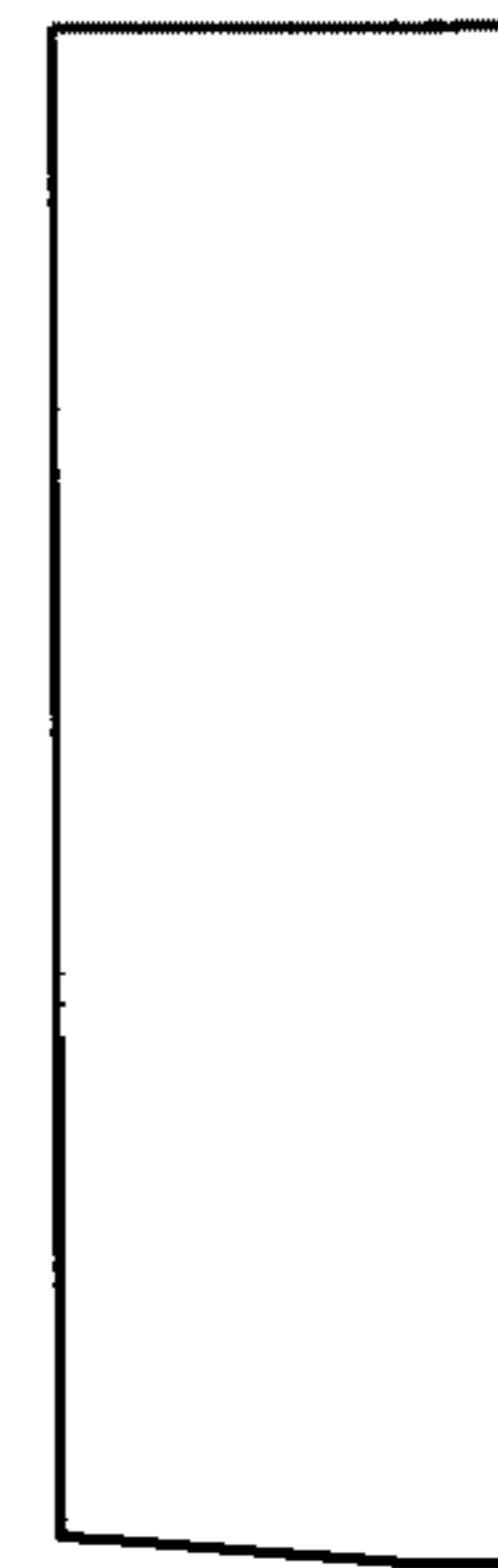


Fig. 6

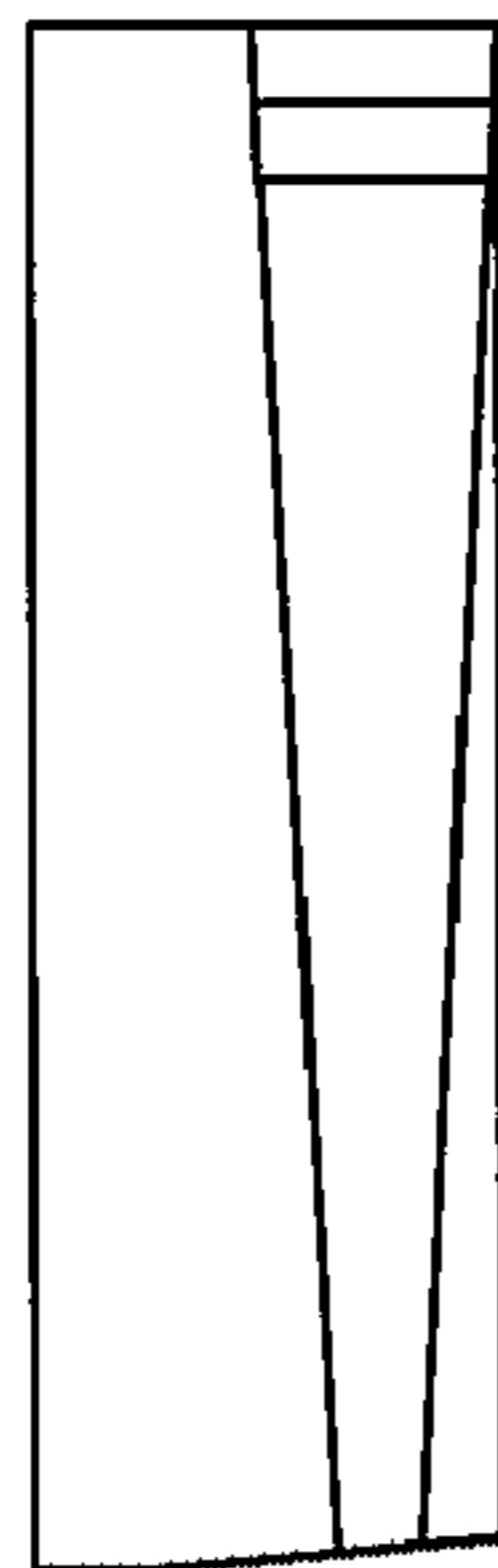


Fig. 8

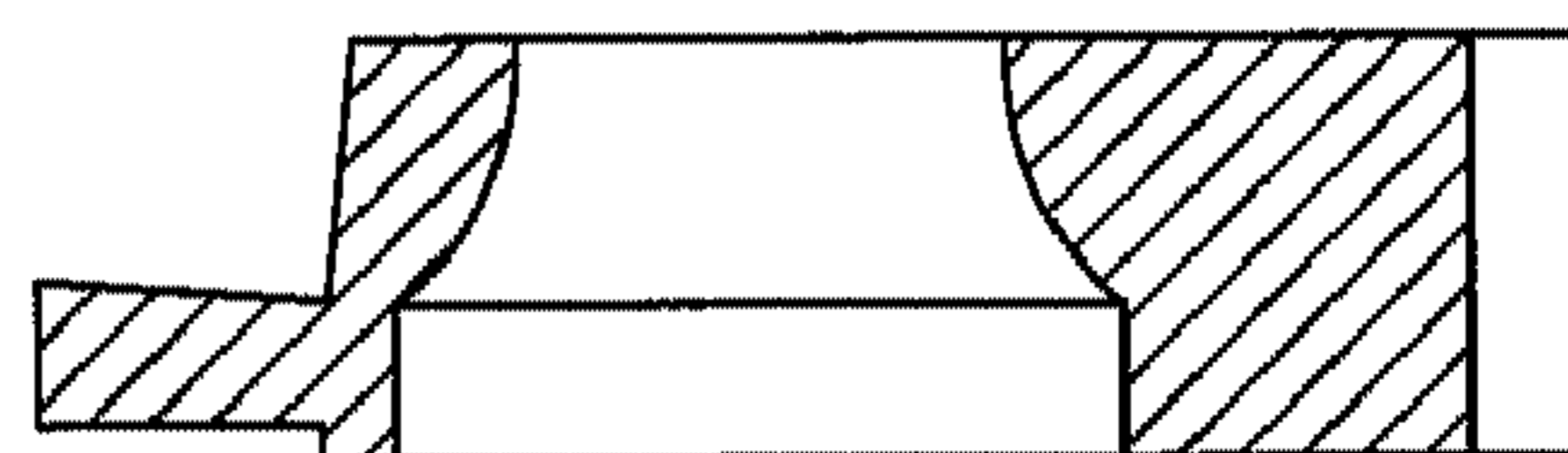


Fig. 9

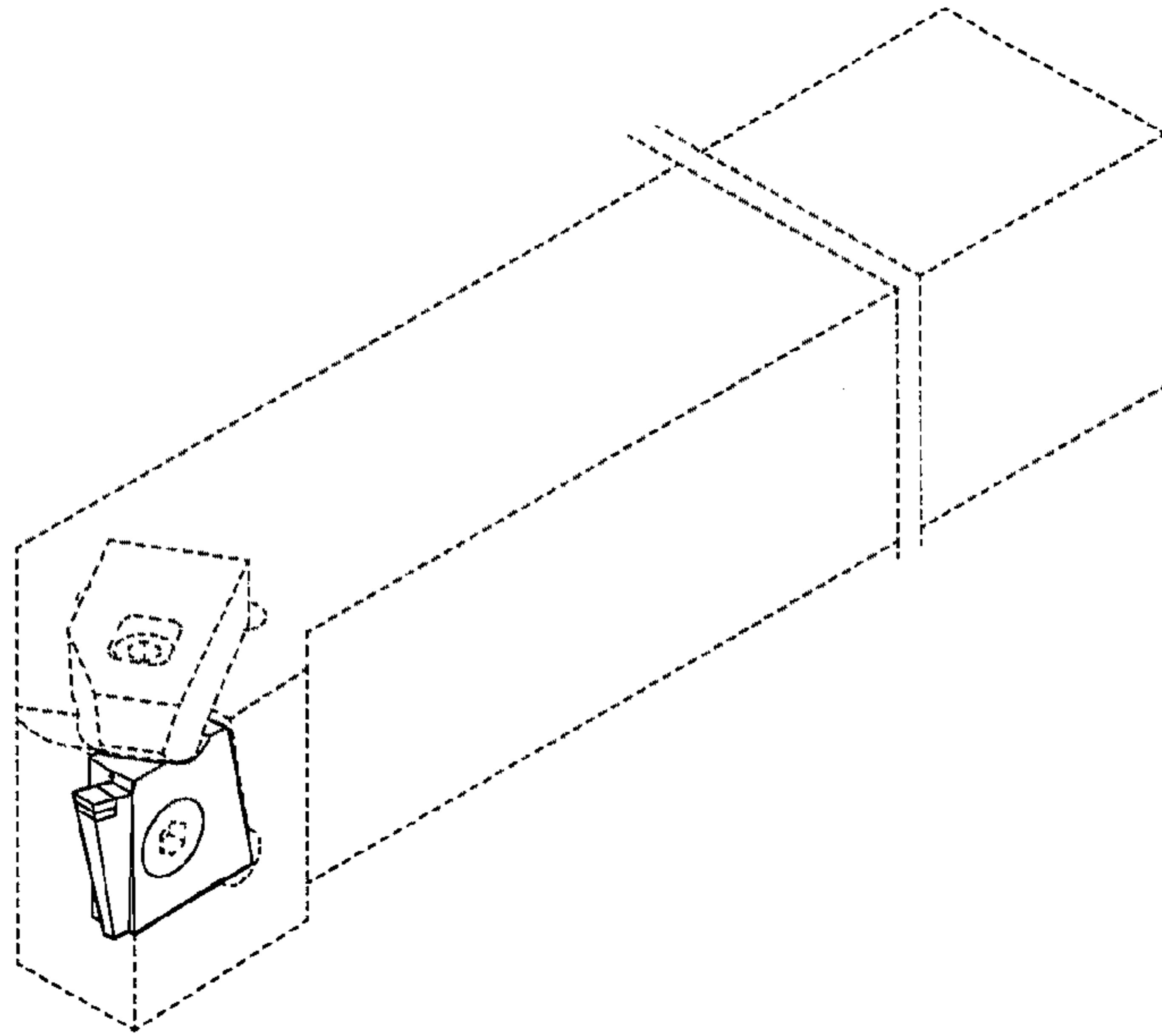


Fig. 10

