



US00D595748S

(12) **United States Design Patent**
Kratschmer

(10) **Patent No.:** **US D595,748 S**

(45) **Date of Patent:** **** Jul. 7, 2009**

(54) **COMBINED REFRIGERATOR AND STAND**

(75) Inventor: **Matthias Kratschmer**, Radebeul (DE)

(73) Assignee: **Bitzer Kuehlmaschinenbau GmbH**
(DE)

(**) Term: **14 Years**

(21) Appl. No.: **29/297,907**

(22) Filed: **Nov. 21, 2007**

(30) **Foreign Application Priority Data**

May 25, 2007 (EM) 000730023

(51) **LOC (9) Cl.** **15-06**

(52) **U.S. Cl.** **D15/81**

(58) **Field of Classification Search** D15/79,
D15/80, 81, 82, 83; D6/433; 62/331, 371,
62/440, 467, 529, 531; 312/236, 352, 400-408;
D7/605; D10/49; D23/314, 324, 325, 332,
D23/333, 341

See application file for complete search history.

(56) **References Cited**

U.S. PATENT DOCUMENTS

D176,840 S * 2/1956 Dailey D15/83
D187,769 S * 4/1960 Parker D6/433
D283,897 S * 5/1986 Mitchell D15/79
D308,527 S * 6/1990 Dallman D15/81
D352,420 S * 11/1994 Costello D7/605

D360,681 S * 7/1995 Chopko et al. D23/325
D368,916 S * 4/1996 Pawlowski et al. D15/79
D419,229 S * 1/2000 Stevens et al. D23/325
D432,550 S * 10/2000 Jobst D15/83
D543,219 S * 5/2007 Heath et al. D15/89
D554,544 S * 11/2007 Englert et al. D10/49
D562,359 S * 2/2008 Schreuder et al. D15/81
D579,956 S * 11/2008 Bordet-Stead D15/79

* cited by examiner

Primary Examiner—Stella M Reid

Assistant Examiner—Shanda C Hill

(74) *Attorney, Agent, or Firm*—Reinhart Boerner Van Deuren P.C.

(57) **CLAIM**

The ornamental design for a combined refrigerator and stand, as shown and described.

DESCRIPTION

FIG. 1 is a front perspective view of a combined refrigerator and stand showing my new design;

FIG. 2 is a front elevation view thereof;

FIG. 3 is a rear elevation view thereof;

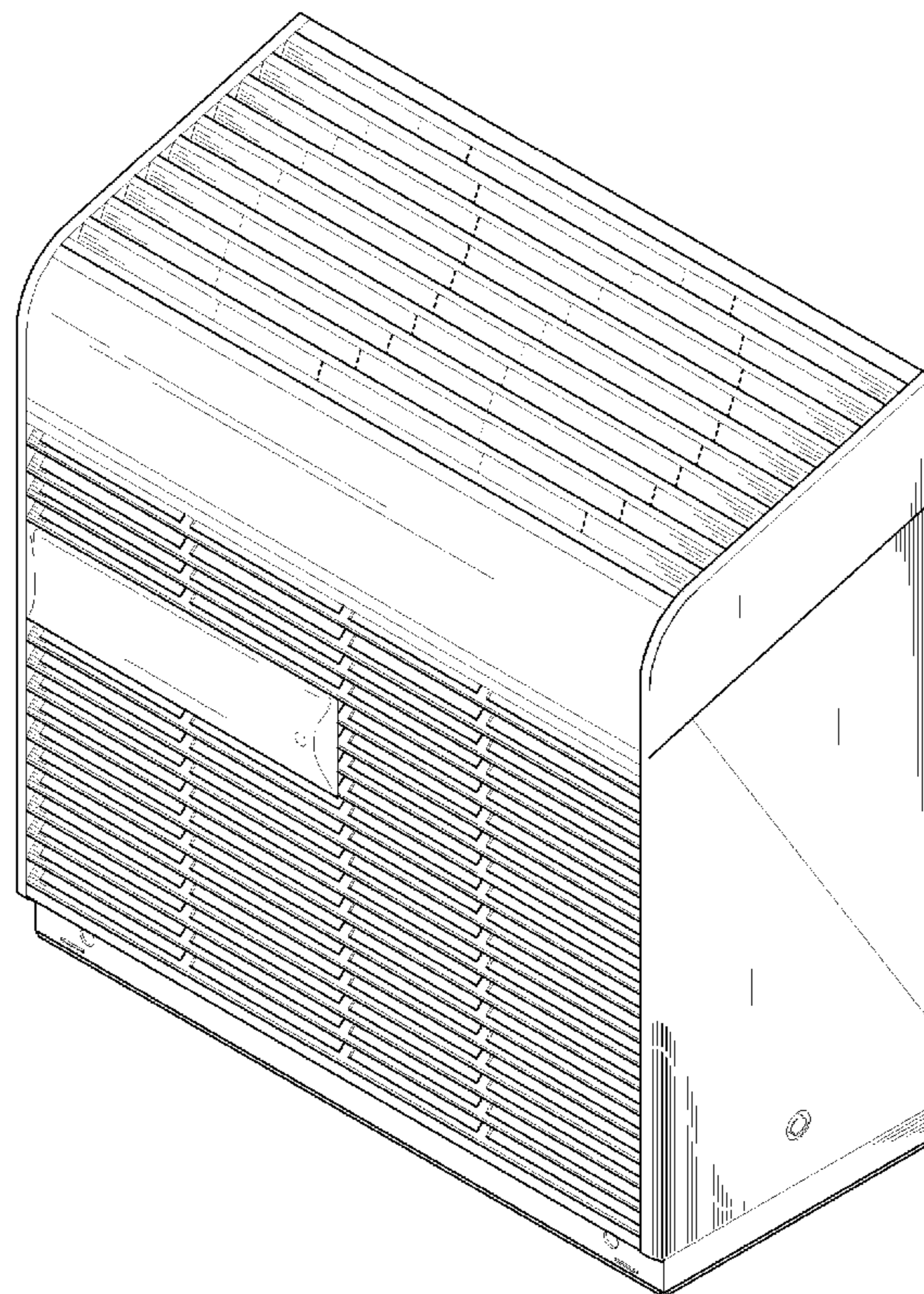
FIG. 4 is a side elevation view thereof;

FIG. 5 is an opposite side view thereof;

FIG. 6 is a top plan view thereof; and,

FIG. 7 is a bottom plan elevation view thereof.

1 Claim, 5 Drawing Sheets



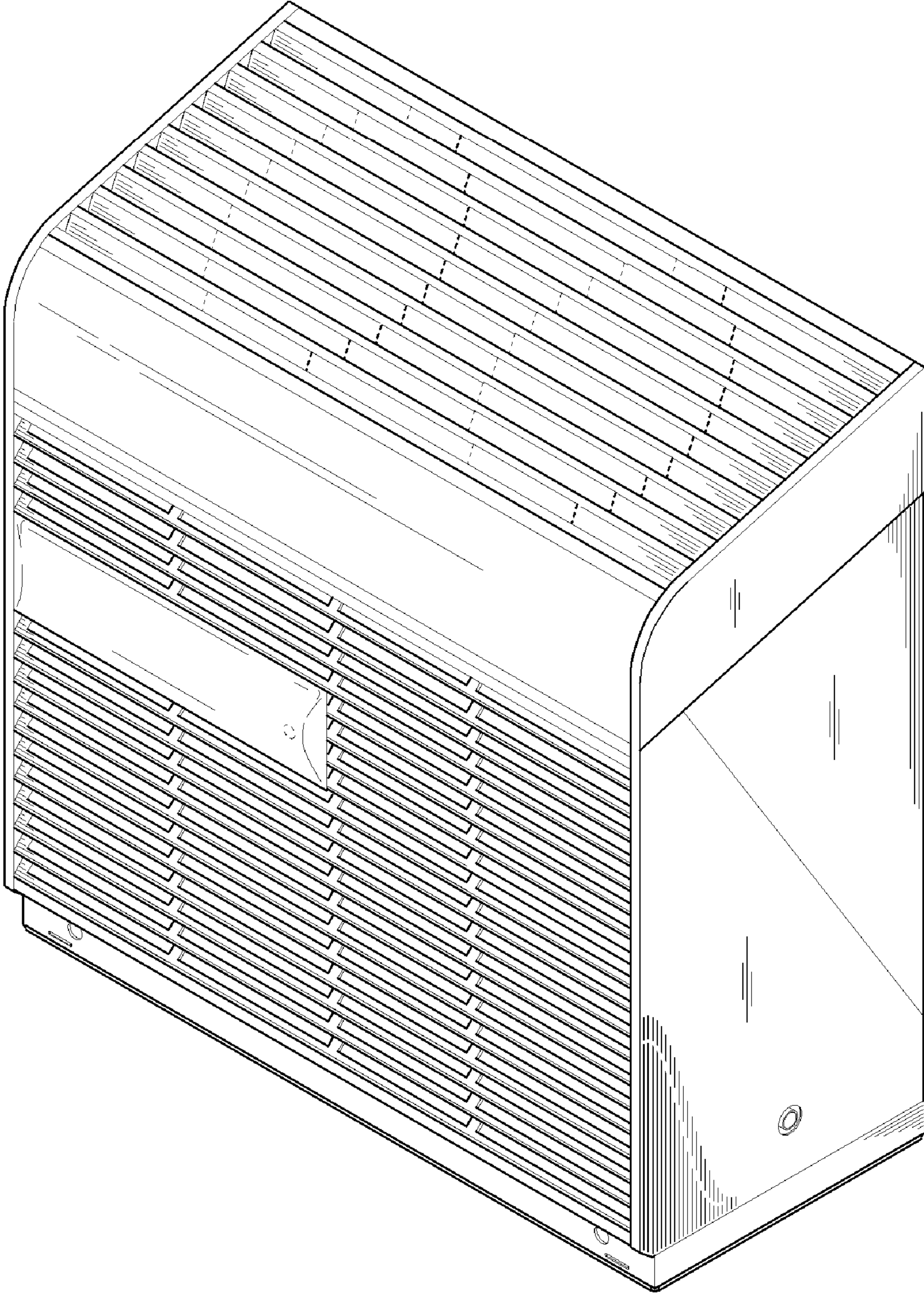


FIG. 1

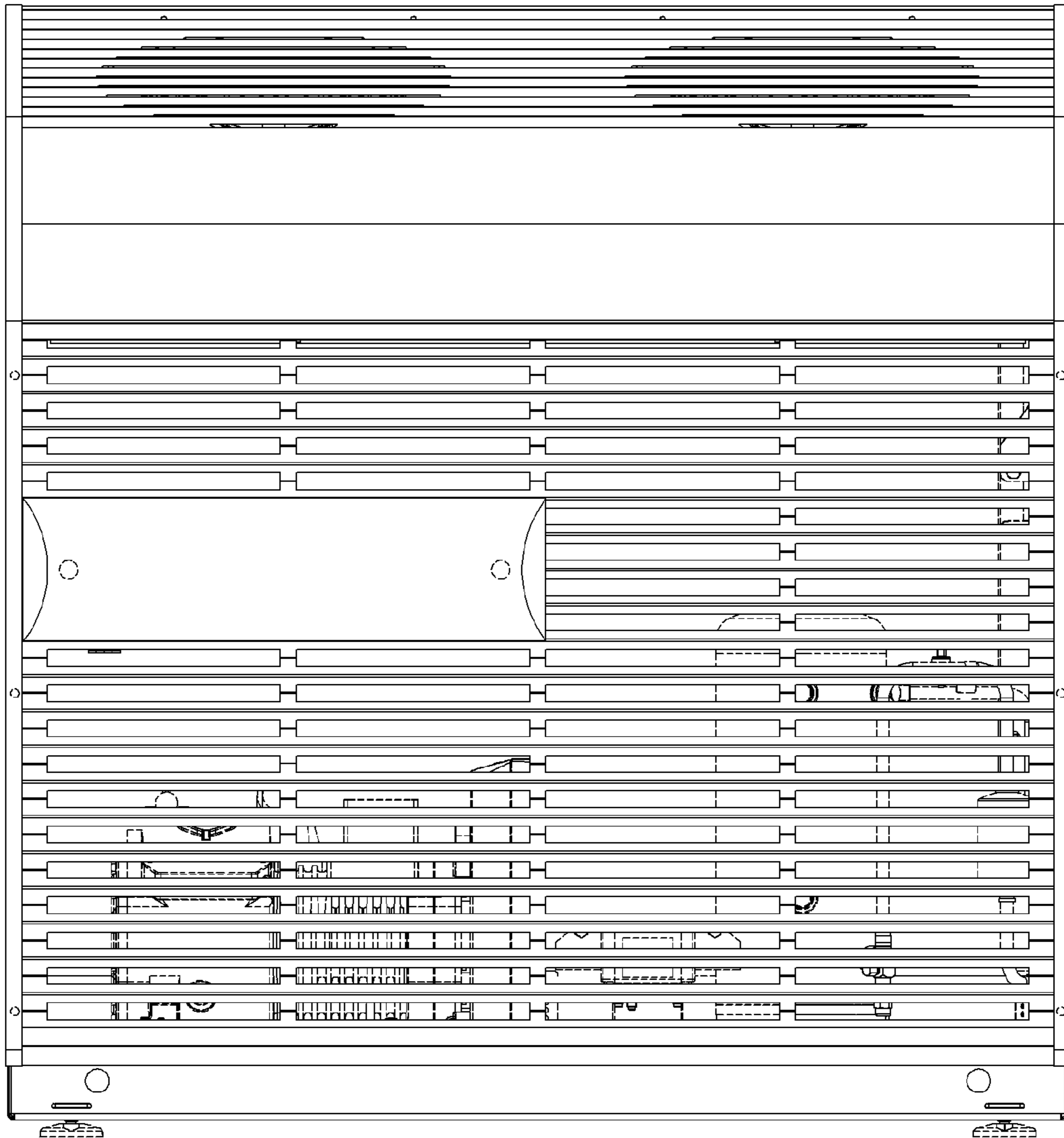


FIG. 2

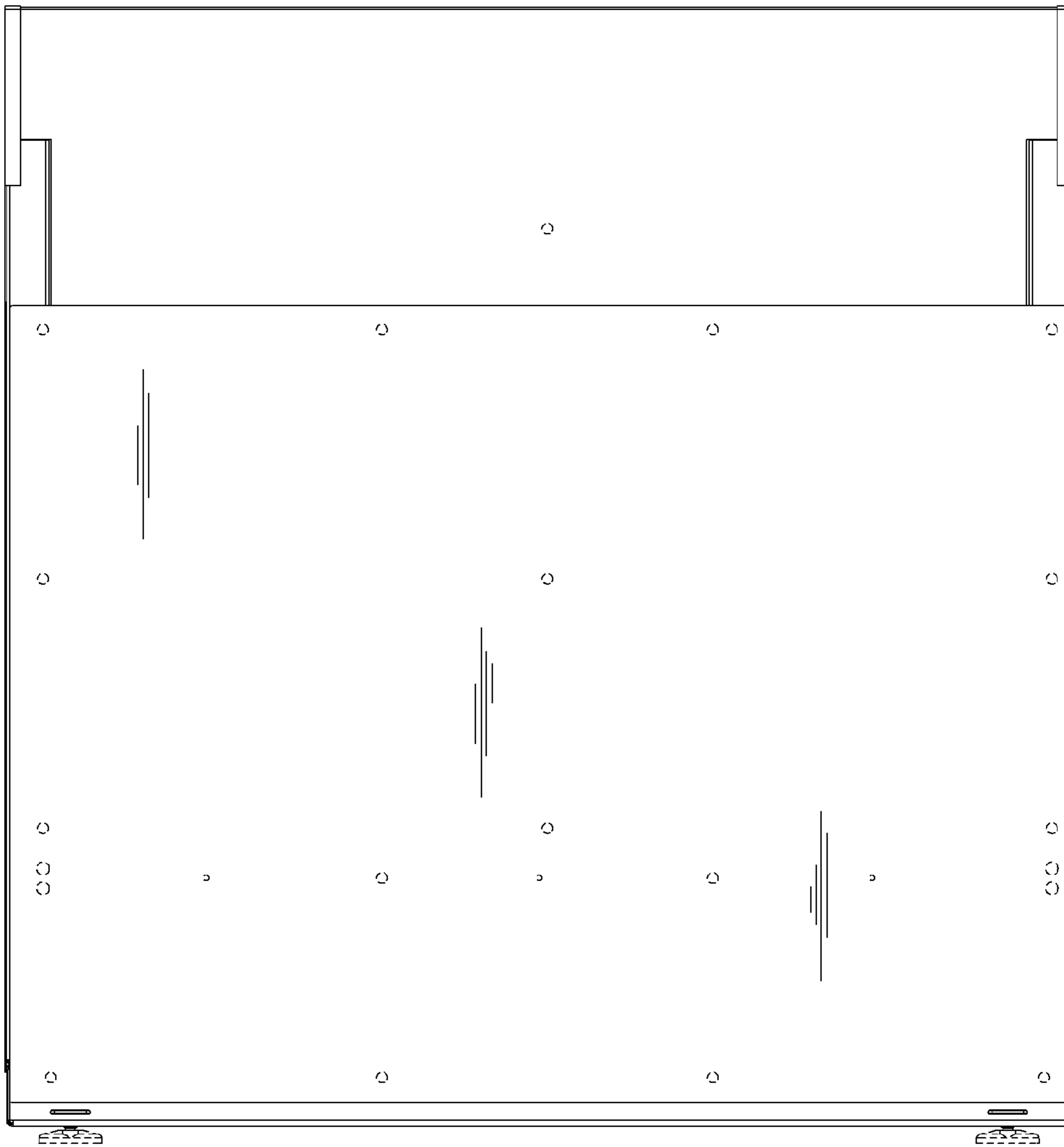


FIG. 3

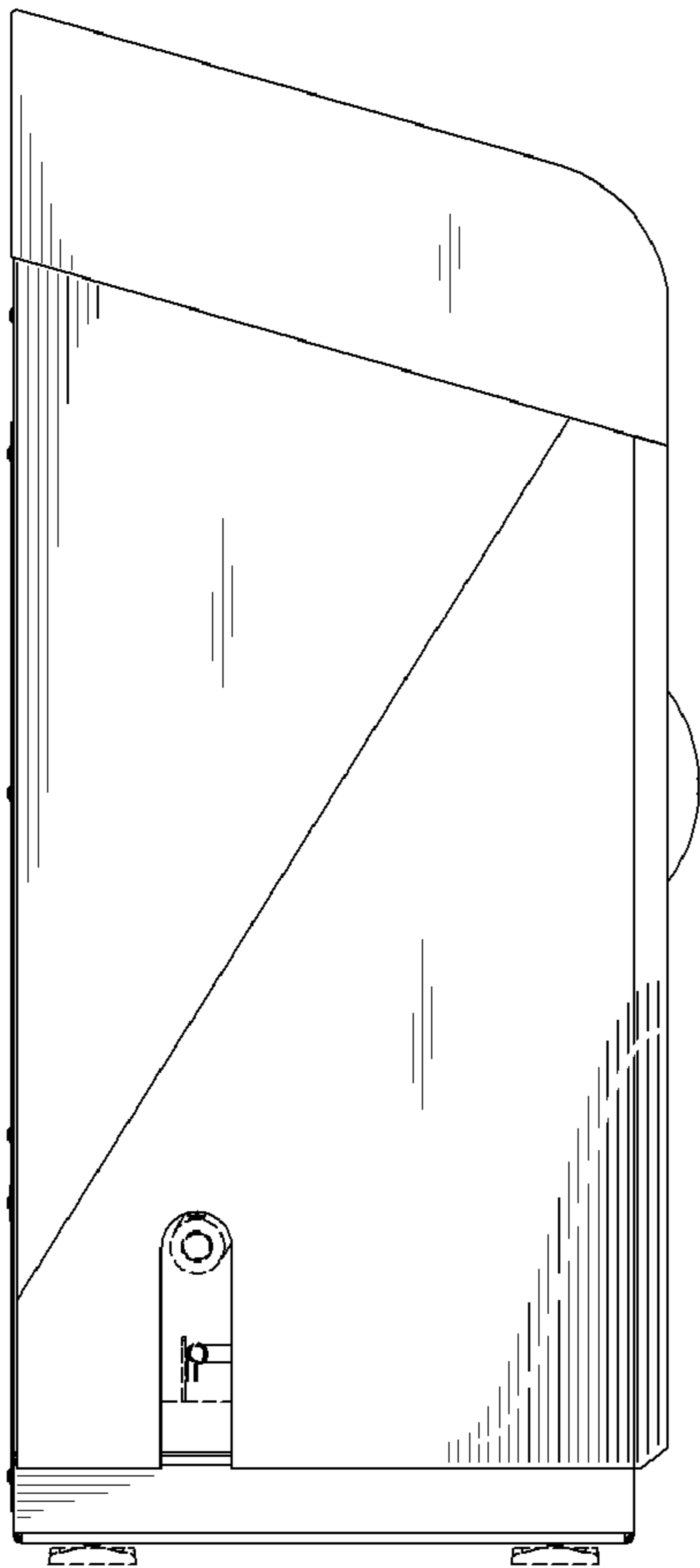


FIG. 4

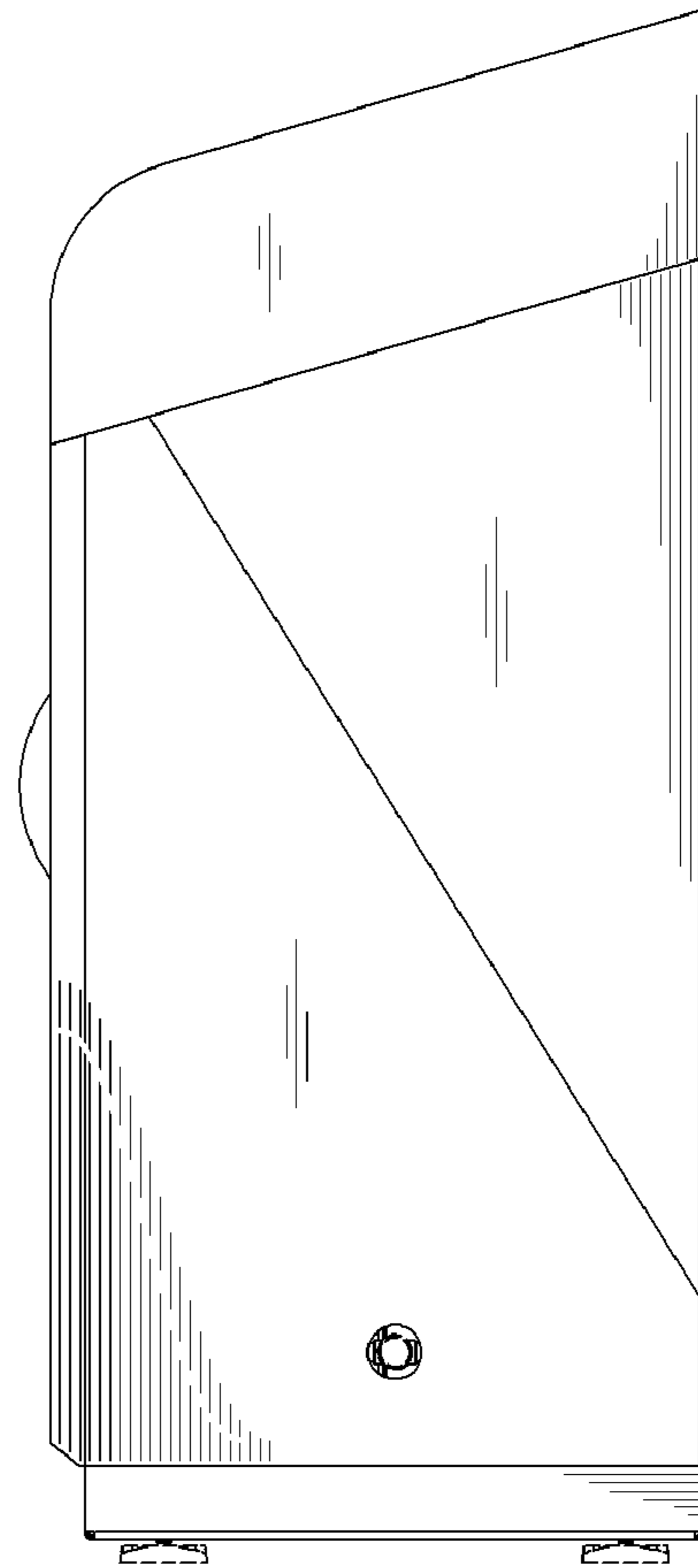


FIG. 5

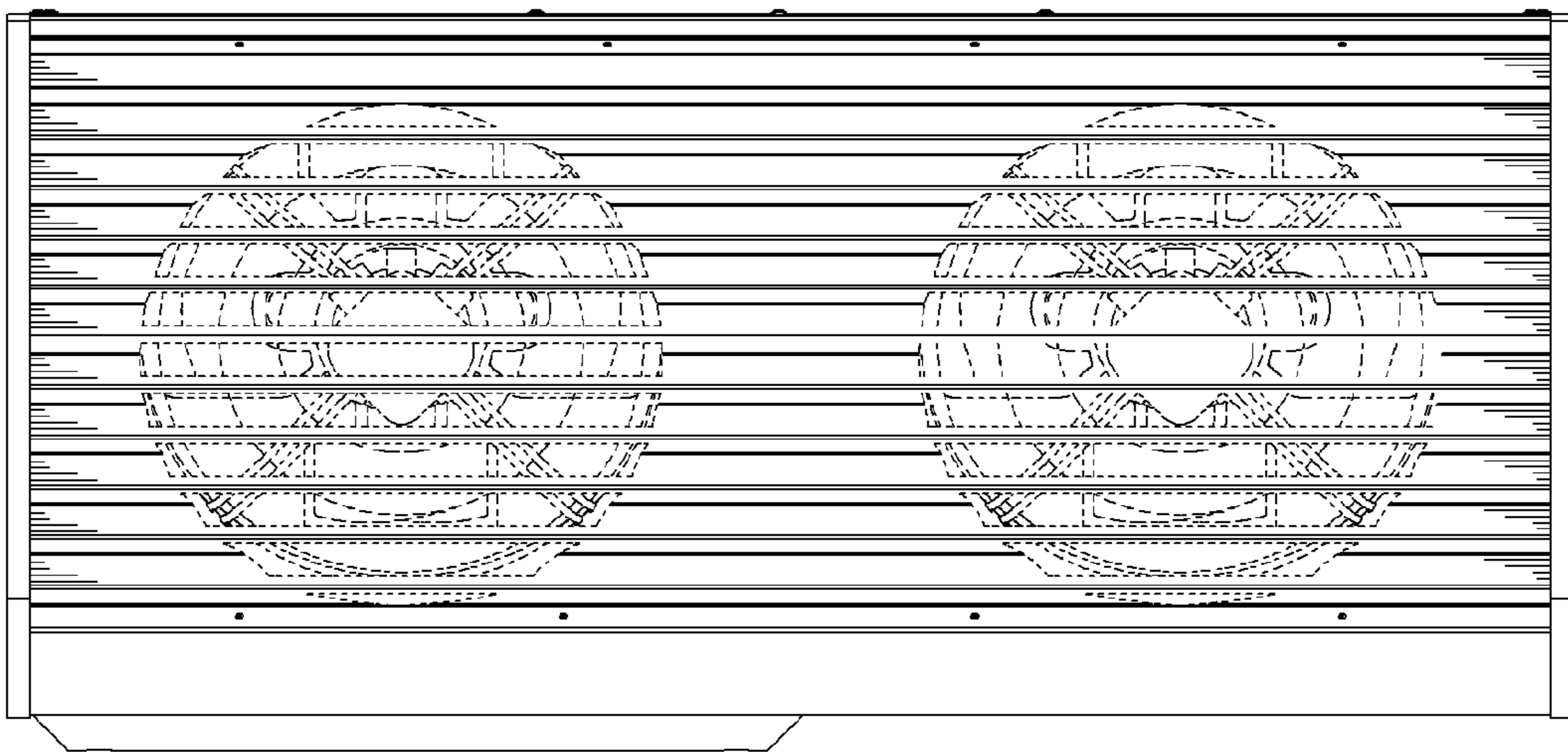


FIG. 6

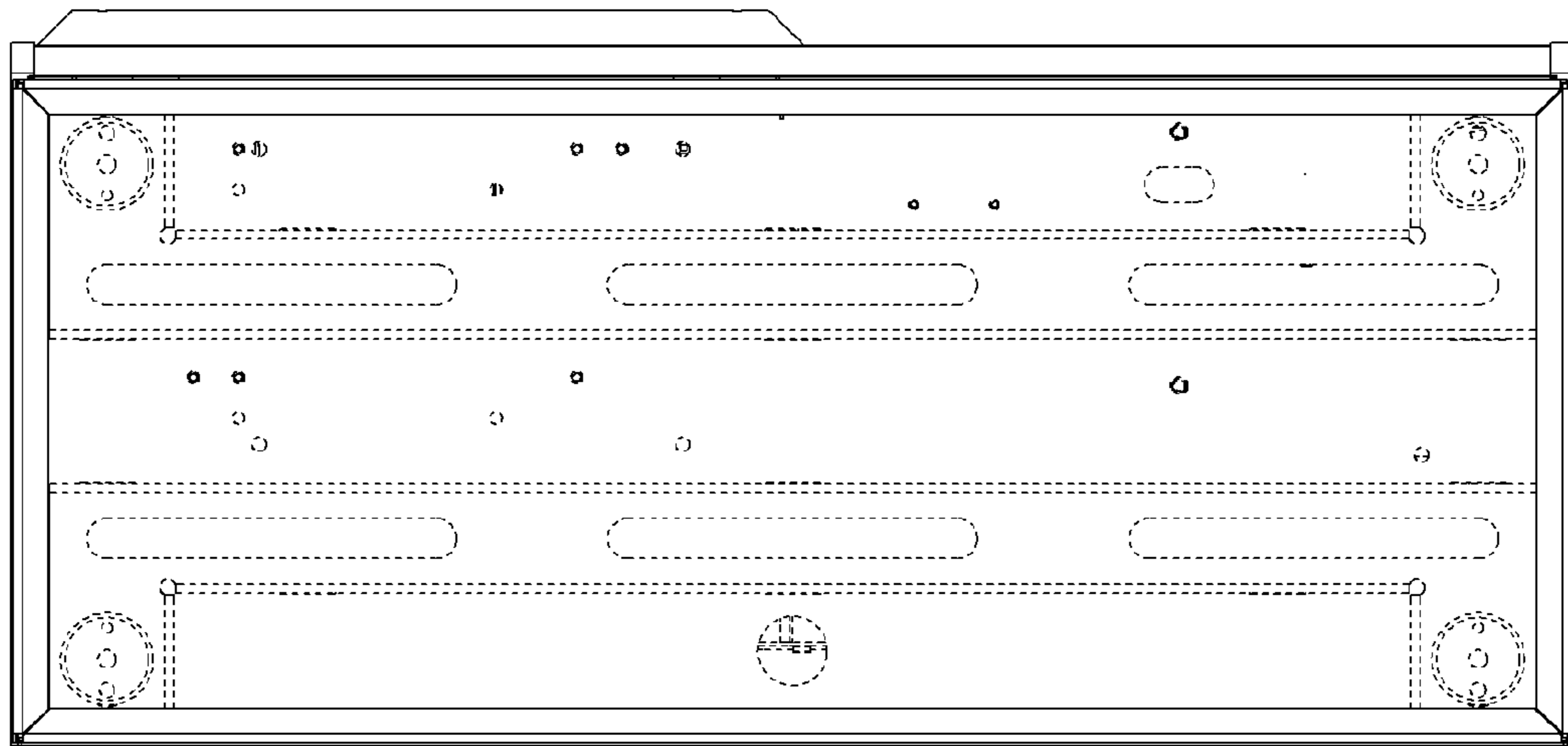


FIG. 7