



US00D595747S

(12) **United States Design Patent**
Saito

(10) **Patent No.:** **US D595,747 S**

(45) **Date of Patent:** **** Jul. 7, 2009**

(54) **DISPLAY FOR A SEWING MACHINE**

(75) Inventor: **Tomoko Saito**, Nagoya (JP)

(73) Assignee: **Brother Industries, Ltd.**, Nagoya (JP)

(**) Term: **14 Years**

(21) Appl. No.: **29/300,829**

(22) Filed: **May 20, 2008**

(30) **Foreign Application Priority Data**

Dec. 3, 2007 (JP) 2007-033168

(51) **LOC (9) Cl.** **15-06**

(52) **U.S. Cl.** **D15/72; D15/73**

(58) **Field of Classification Search** D15/66-73,
D15/77, 78; 112/2, 63, 78, 154, 217.1-217.4,
112/258-261, 475.01; D10/104, 106; D14/159,
D14/247, 345, 387, 399, 455; 341/22, 23;
345/169, 173; 382/124, 187; 400/472, 484-489,
400/492

See application file for complete search history.

(56) **References Cited**

U.S. PATENT DOCUMENTS

D286,047 S * 10/1986 Roots et al. D14/399
D308,855 S * 6/1990 Schaum D14/399

D327,881 S * 7/1992 McFarlane D14/399
D347,835 S * 6/1994 Zarnowitz D14/399
D389,762 S * 1/1998 Yorkey D10/104
D440,566 S * 4/2001 Chou D14/399
D466,137 S * 11/2002 Yamamoto et al. D15/72
D491,945 S * 6/2004 Sheehan et al. D14/399
D532,415 S * 11/2006 Chen et al. D14/247
D546,333 S * 7/2007 Emmerich et al. D14/455
D572,263 S * 7/2008 Massaro et al. D14/455
D574,816 S * 8/2008 Tang D14/247

* cited by examiner

Primary Examiner—Stella M Reid

Assistant Examiner—Shanda C Hill

(74) *Attorney, Agent, or Firm*—Oliff & Berridge, PLC

(57) **CLAIM**

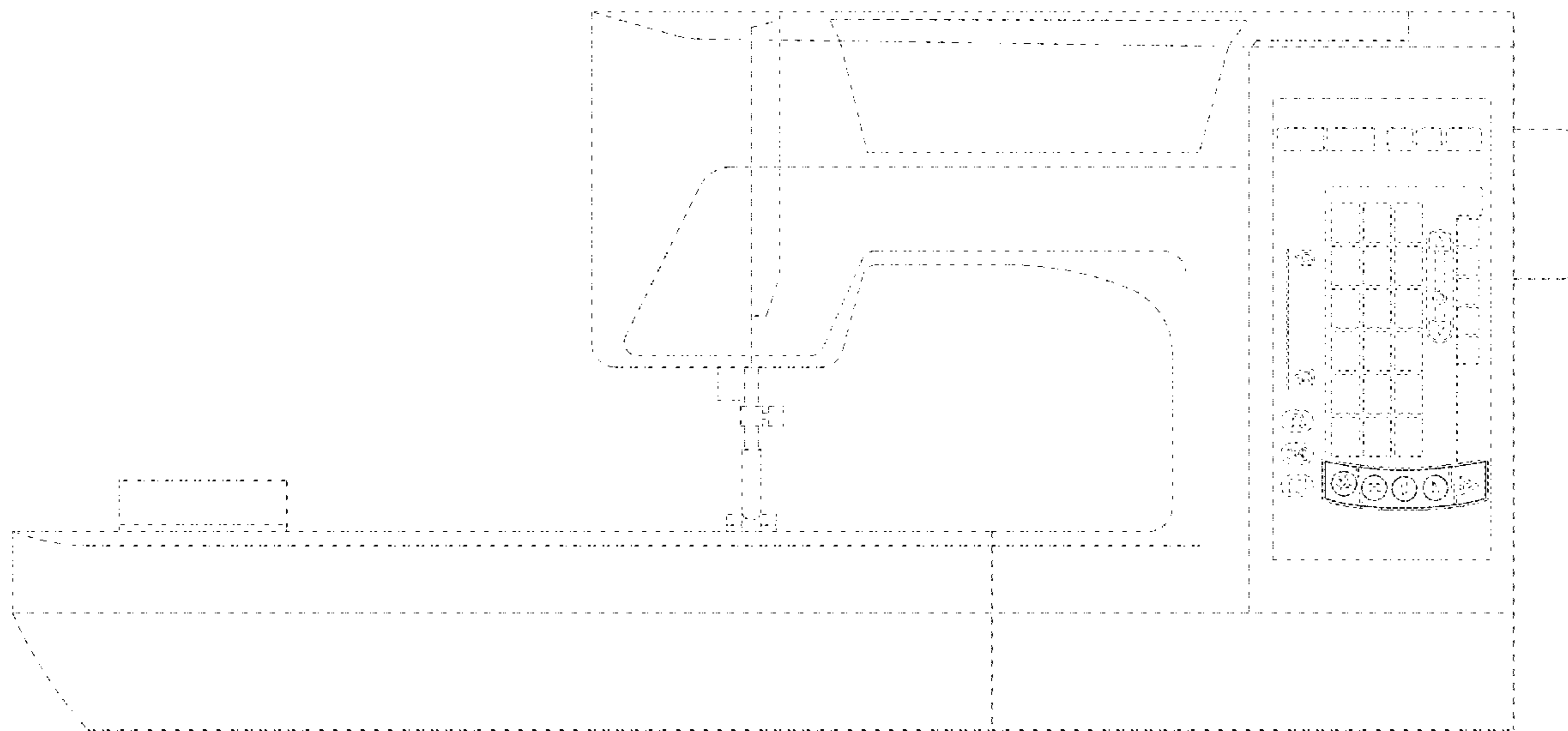
The ornamental design for a display for a sewing machine, as shown and described.

DESCRIPTION

FIG. 1 is a front view of a display for a sewing machine; and, FIG. 2 is an enlarged front view thereof.

The broken lines depict environmental subject matter only and form no part of the claimed design.

1 Claim, 2 Drawing Sheets



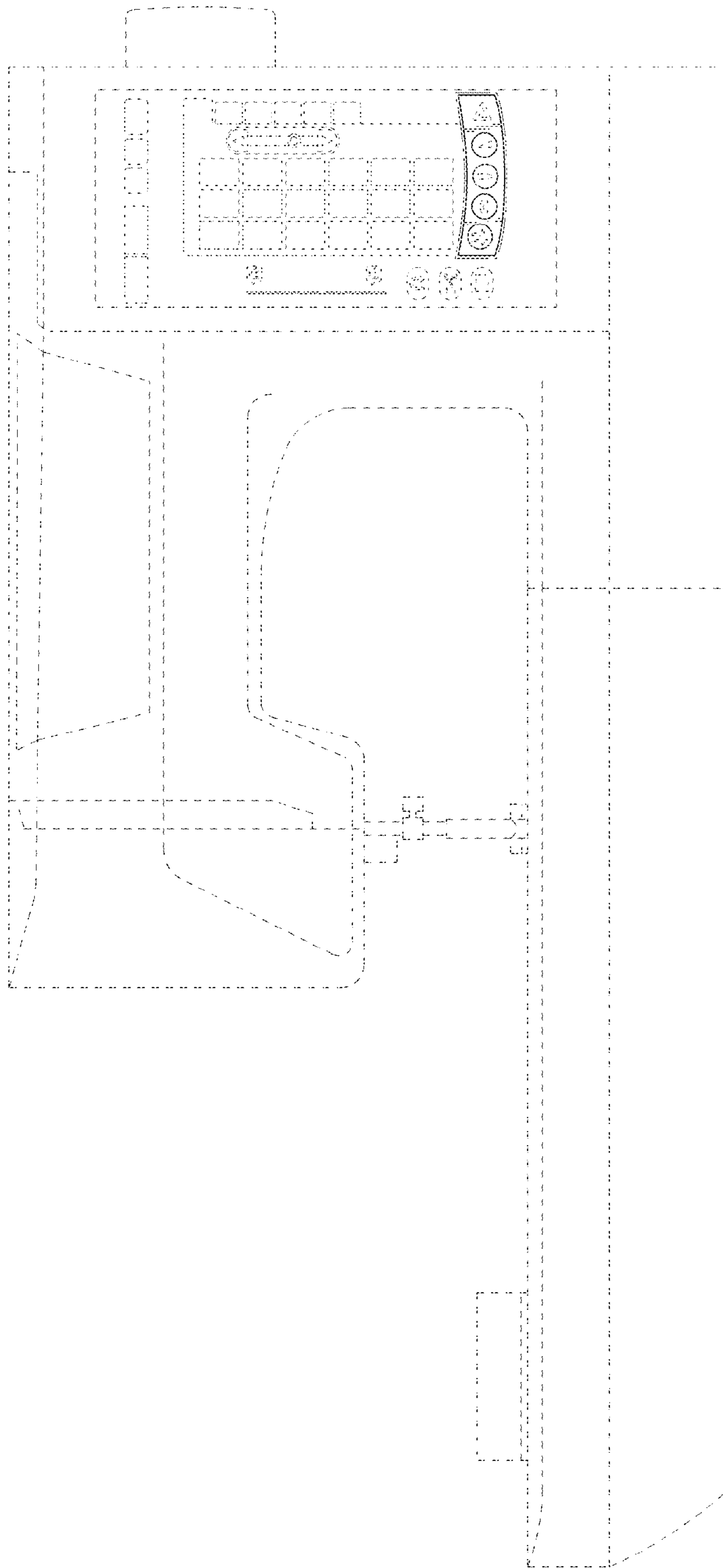


FIG. 1

FIG. 2

