

US00D595746S

(12) **United States Design Patent**  
**Iida et al.**

(10) **Patent No.:** **US D595,746 S**  
(45) **Date of Patent:** **\*\* Jul. 7, 2009**

(54) **FRONT LOADER**

(75) Inventors: **Tetsuya Iida**, Osaka (JP); **Yoshiaki Kuraya**, Osaka (JP); **Takumi Hasegawa**, Osaka (JP)

(73) Assignee: **Yanmar Co., Ltd.**, Osaka (JP)

(\*\*) Term: **14 Years**

(21) Appl. No.: **29/324,791**

(22) Filed: **Sep. 19, 2008**

(51) **LOC (9) Cl.** ..... **15-03**

(52) **U.S. Cl.** ..... **D15/32; D15/28**

(58) **Field of Classification Search** ..... D15/10,  
D15/22-26, 28, 29, 32; 414/686, 694, 722,  
414/718, 815, 723, 685; 37/341, 407  
See application file for complete search history.

(56) **References Cited**

**U.S. PATENT DOCUMENTS**

2,989,199	A *	6/1961	Hough et al.	414/706
4,470,751	A *	9/1984	Masuzawa et al.	414/686
4,498,839	A *	2/1985	Williams et al.	414/686
4,522,554	A *	6/1985	Williams et al.	414/686
4,576,543	A *	3/1986	Kuchyt et al.	414/722
D319,448	S *	8/1991	Ball et al.	D15/32
D323,168	S *	1/1992	Ericsson	D15/32
6,290,009	B1	9/2001	Kondo et al.	
D459,368	S *	6/2002	Westendorf et al.	D15/32
D469,448	S *	1/2003	Bares et al.	D15/32
6,669,272	B2	12/2003	Ayabe et al.	
6,729,831	B1	5/2004	Kawamura et al.	
6,757,993	B2	7/2004	Kondou	
D507,004	S *	7/2005	Westendorf et al.	D15/32
6,922,923	B2	8/2005	Kondou	
6,971,195	B2	12/2005	Kondou	
D518,075	S *	3/2006	Westendorf et al.	D15/32
7,008,169	B1	3/2006	Miyanishi	
D528,569	S *	9/2006	Nilsson	D15/32
D529,053	S *	9/2006	Stender et al.	D15/32
7,128,518	B2	10/2006	Yamashita	
D533,883	S *	12/2006	Higashikawa et al.	D15/32
7,281,890	B2 *	10/2007	Friesen et al.	414/686

D562,351	S *	2/2008	Higashikawa	D15/28
7,326,026	B2 *	2/2008	Stender et al.	414/686
7,354,237	B2 *	4/2008	Frey	414/686
7,451,587	B2	11/2008	Komiya et al.	
D584,749	S *	1/2009	Smith et al.	D15/28
2004/0161325	A1 *	8/2004	Yoshii et al.	414/686
2004/0228717	A1 *	11/2004	Perrin et al.	414/723
2006/0073003	A1 *	4/2006	Fukudome et al.	414/686
2006/0182592	A1 *	8/2006	Stender et al.	414/686
2006/0245899	A1 *	11/2006	Lyons et al.	414/686
2007/0020078	A1 *	1/2007	Frey	414/686
2007/0031233	A1 *	2/2007	Frey	414/685
2007/0217899	A1 *	9/2007	Sakada	414/722
2007/0243052	A1 *	10/2007	Fukudome et al.	414/723
2008/0063502	A1 *	3/2008	Nilsson	414/685
2008/0193269	A1 *	8/2008	Sakada et al.	414/722

\* cited by examiner

*Primary Examiner*—Stella M Reid

*Assistant Examiner*—Mark A Goodwin

(74) *Attorney, Agent, or Firm*—Sterne Kessler Goldstein & Fox P.L.L.C.

(57) **CLAIM**

The ornamental design for a front loader, as shown and described.

**DESCRIPTION**

FIG. 1 is a front perspective view of a front loader showing our new design;

FIG. 2 is a front view thereof;

FIG. 3 is a rear view thereof;

FIG. 4 is a right side view thereof;

FIG. 5 is a left side view thereof;

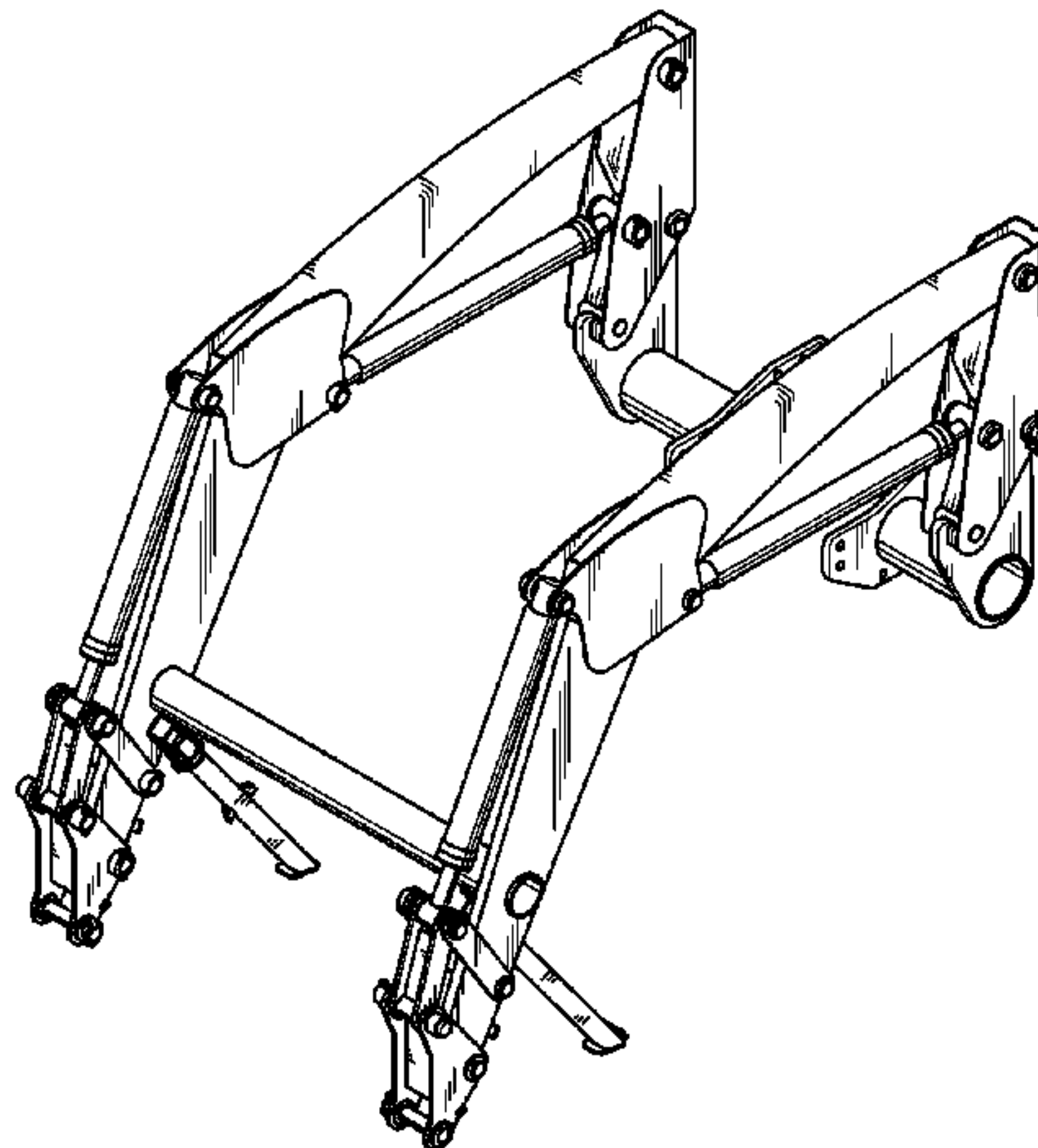
FIG. 6 is a top plan view thereof;

FIG. 7 is a bottom plan view thereof; and,

FIG. 8 is a right side perspective view of a front loader shown in use condition.

The features shown in broken lines depict environmental subject matter only and form no part of the claimed design.

**1 Claim, 8 Drawing Sheets**



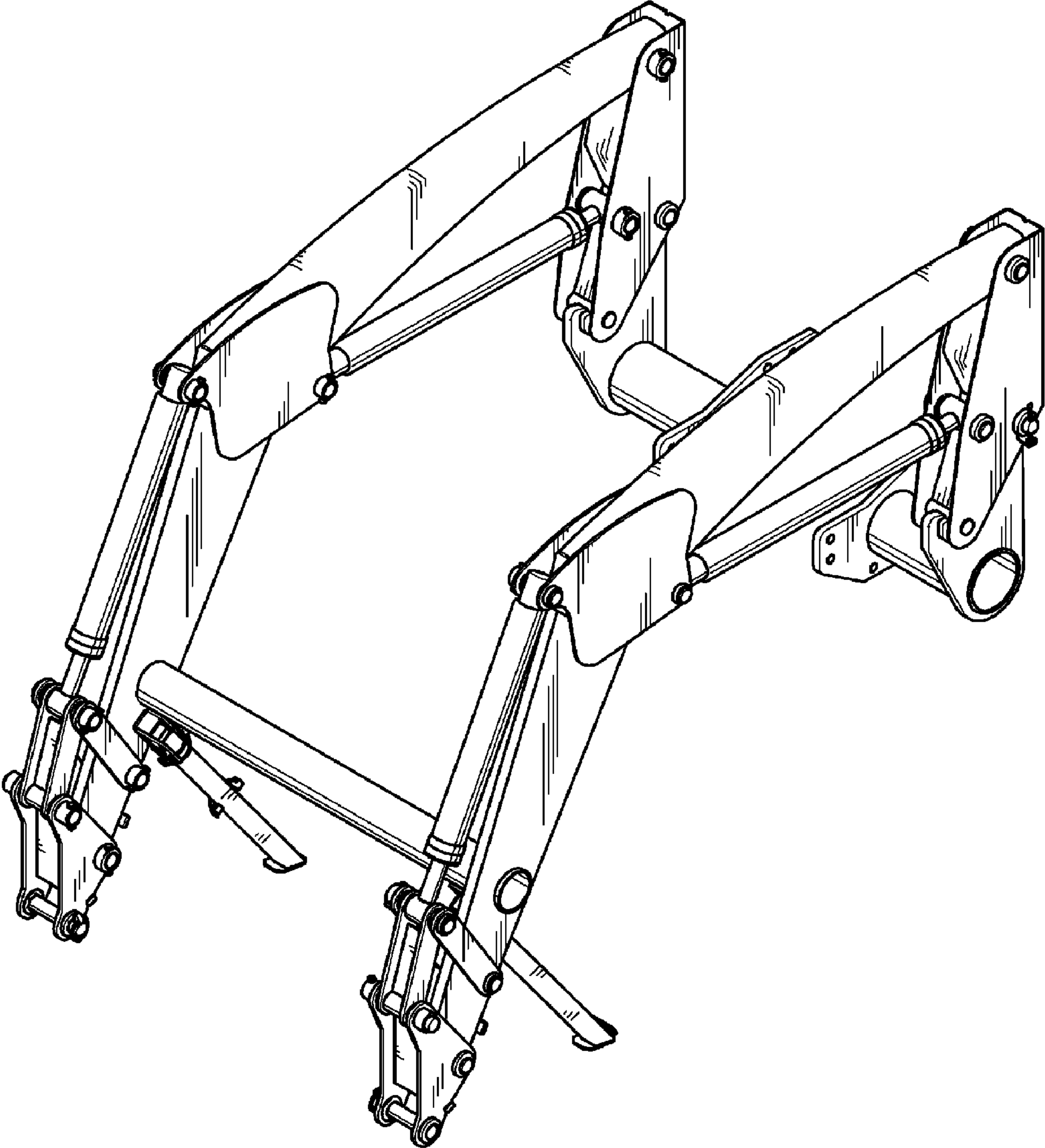


FIG. 1

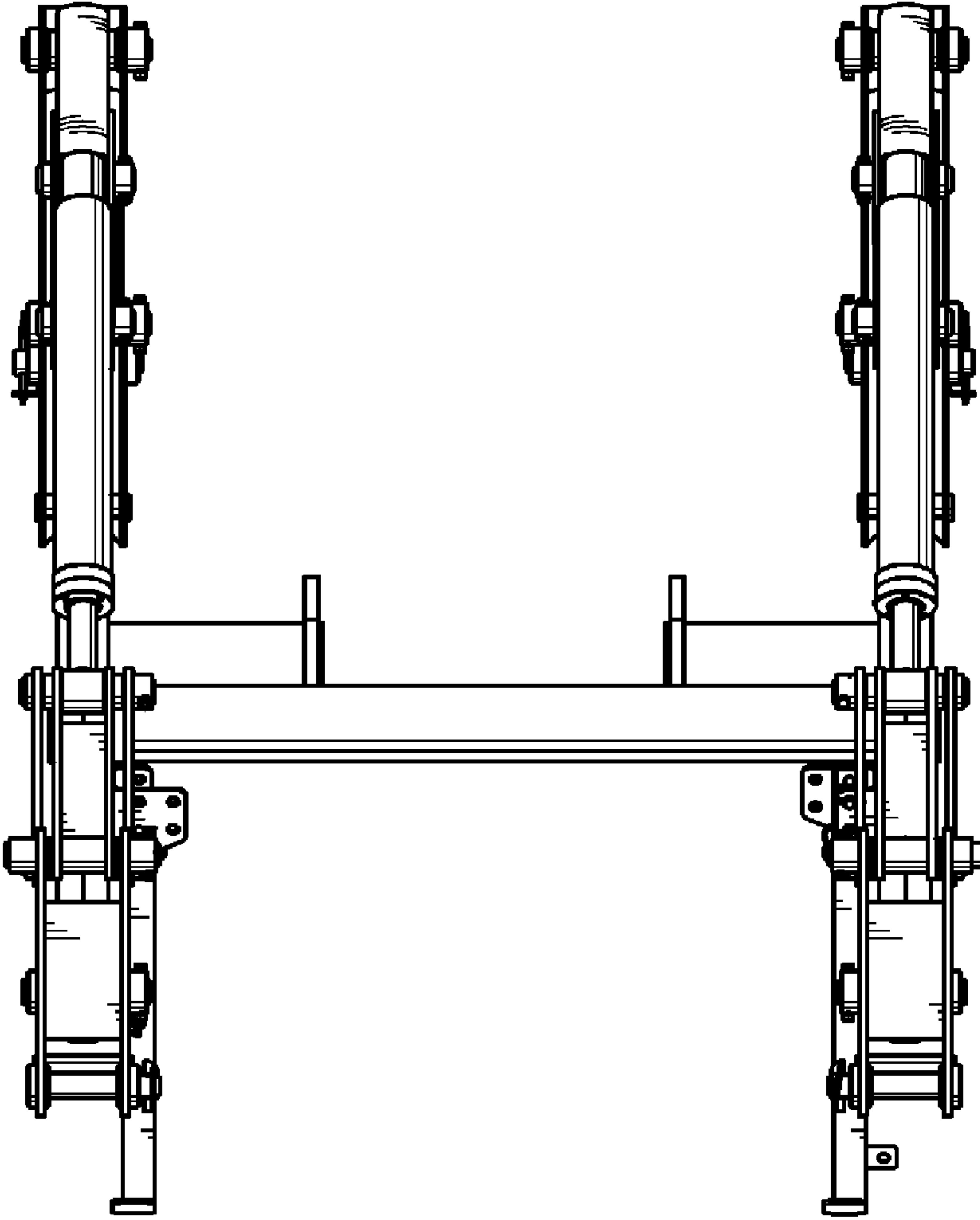


FIG. 2

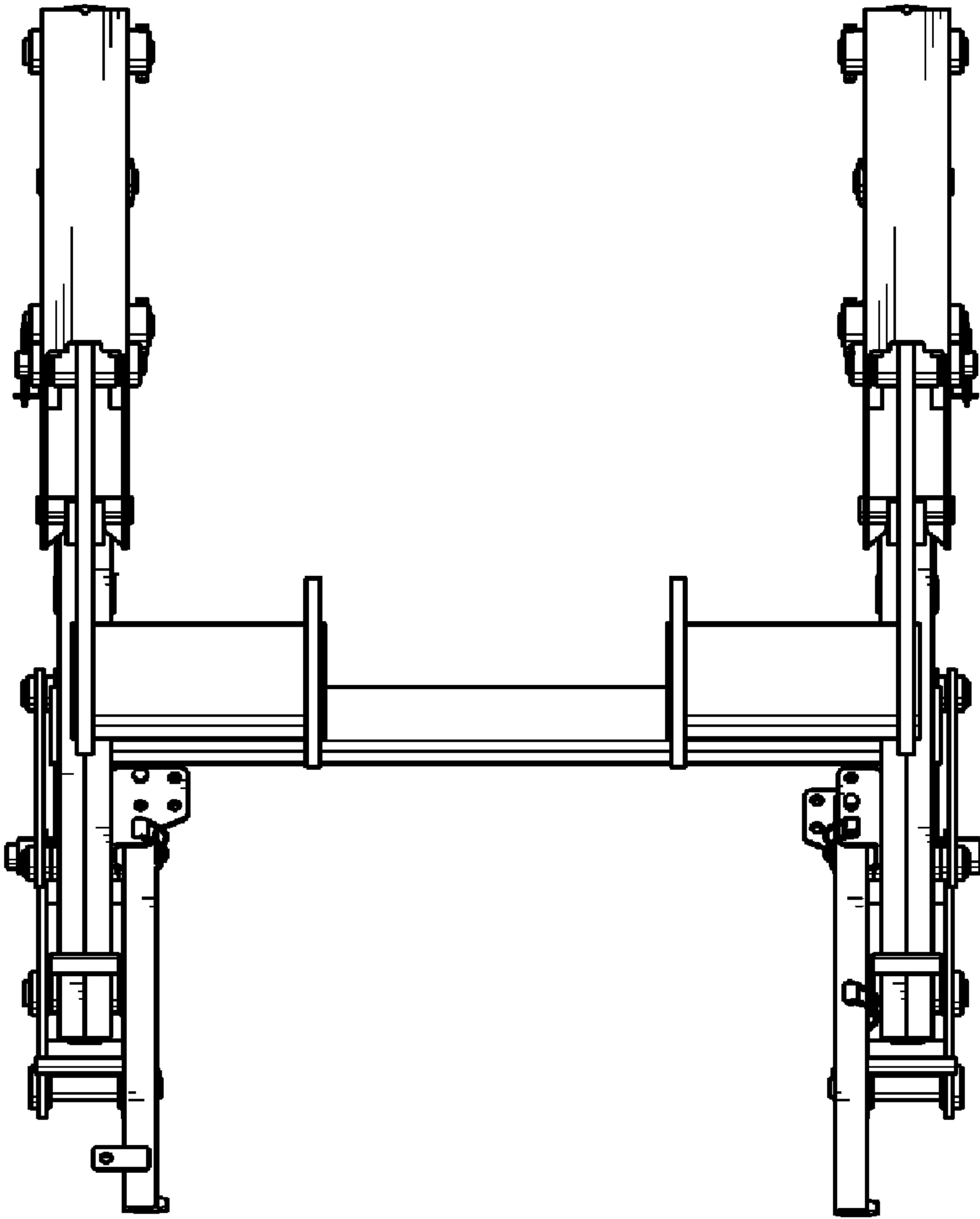


FIG. 3

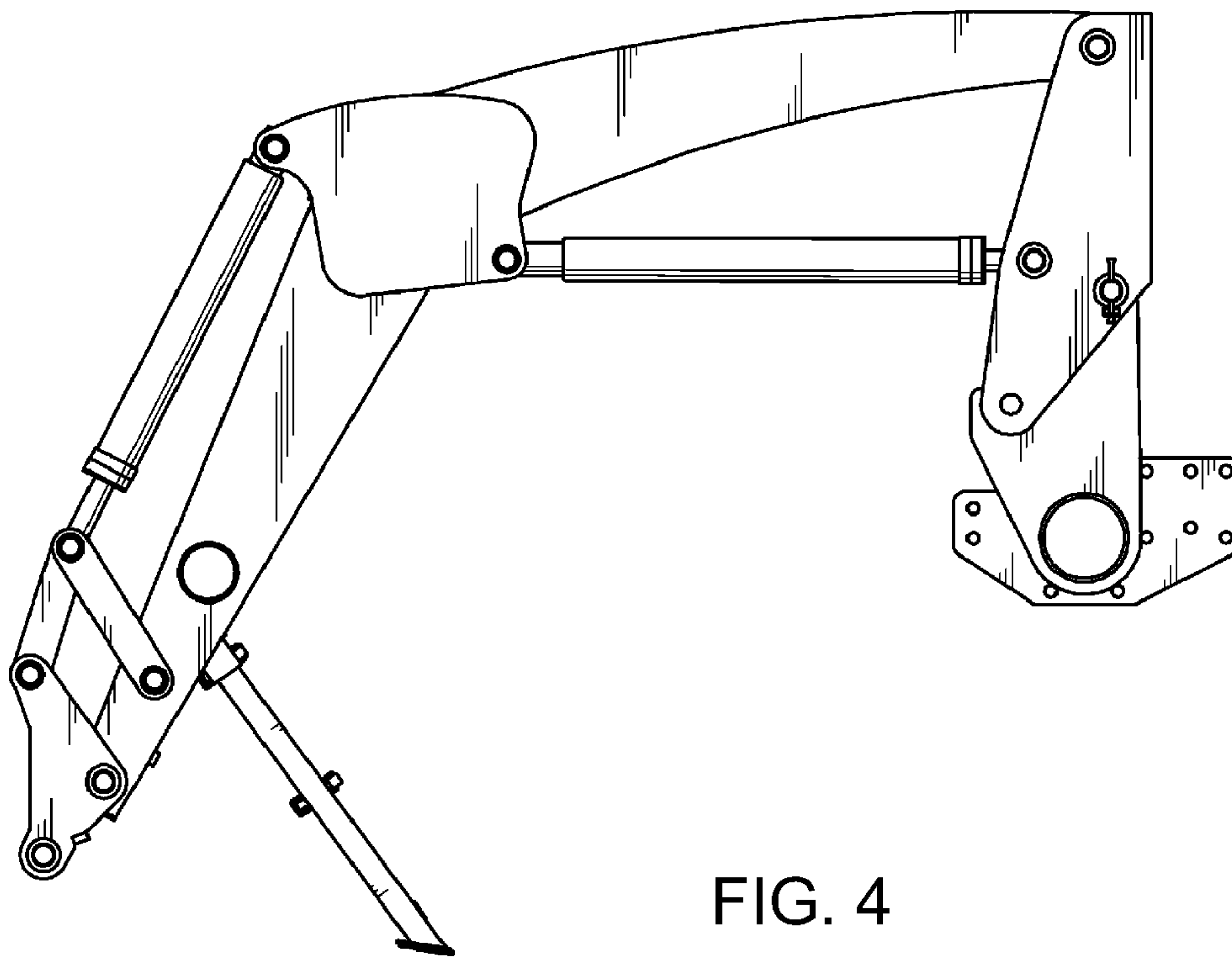


FIG. 4

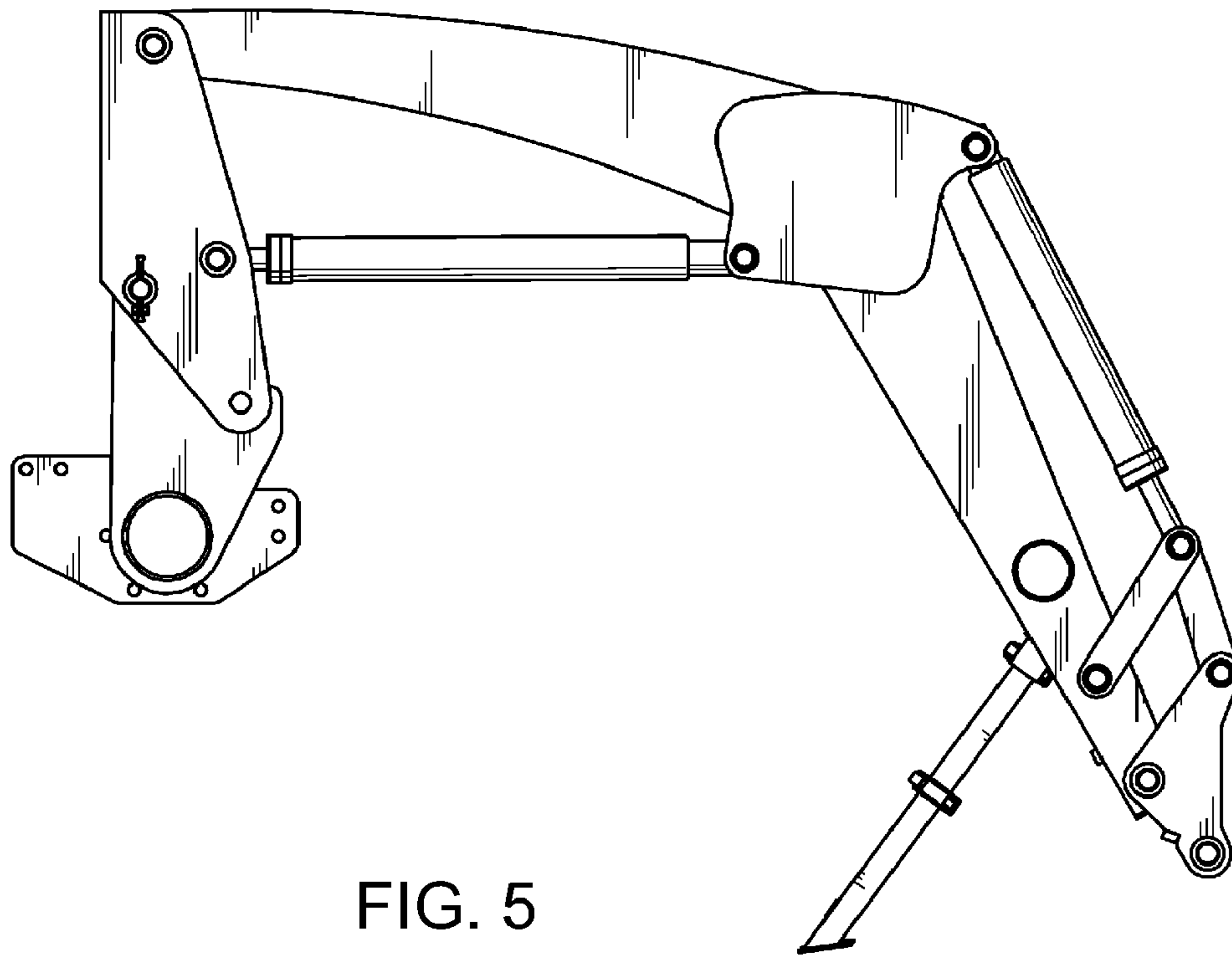


FIG. 5

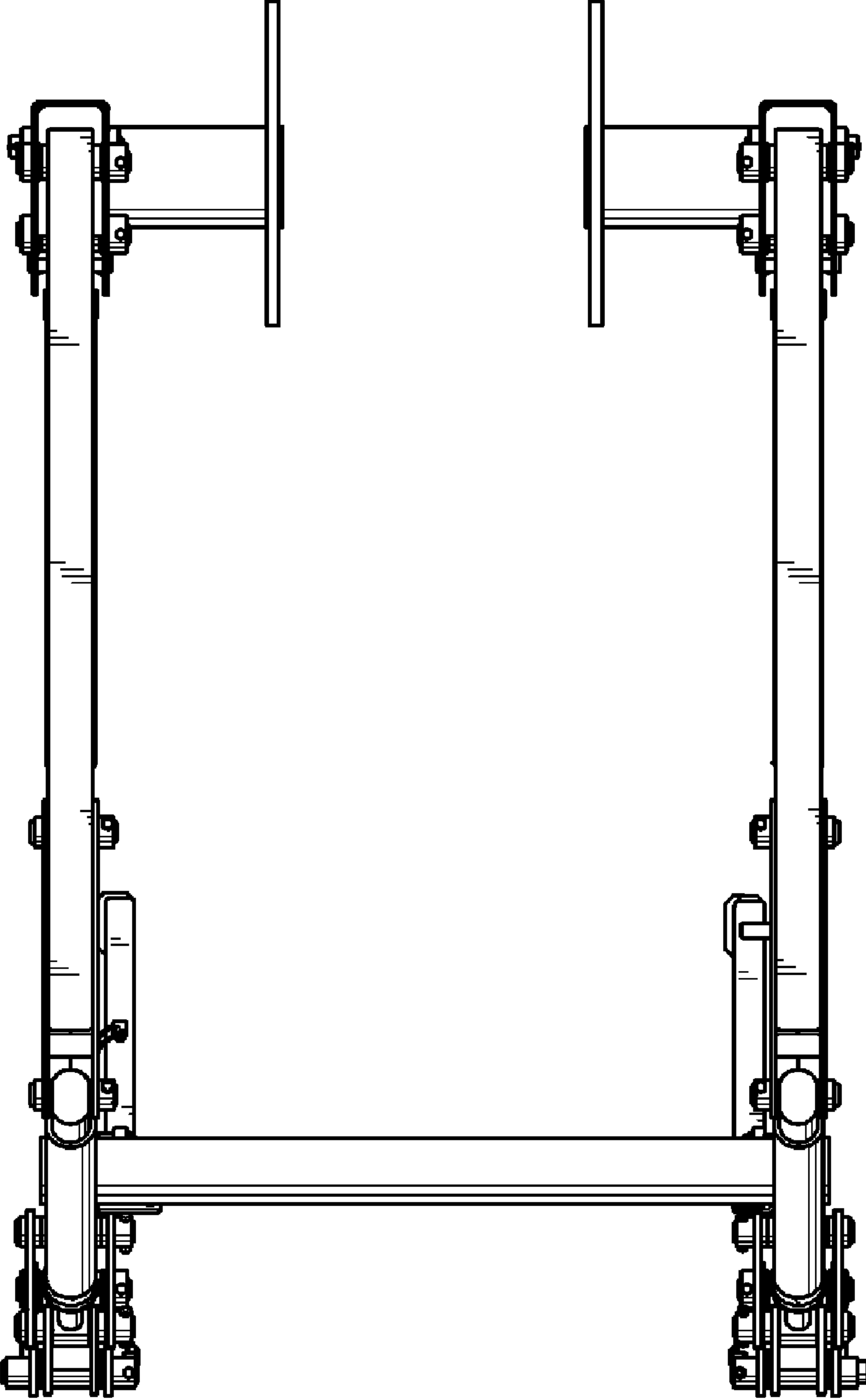


FIG. 6



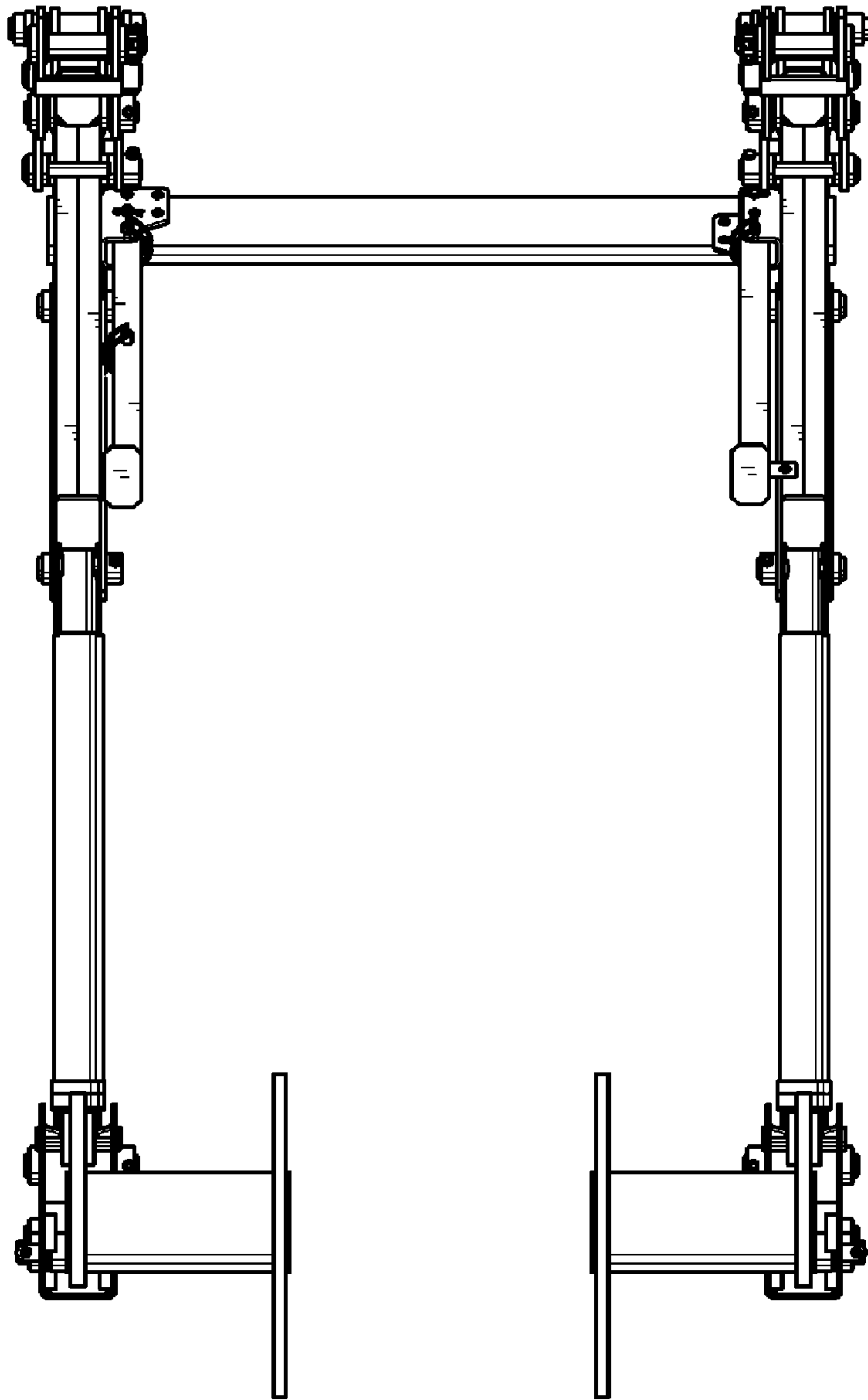


FIG. 7



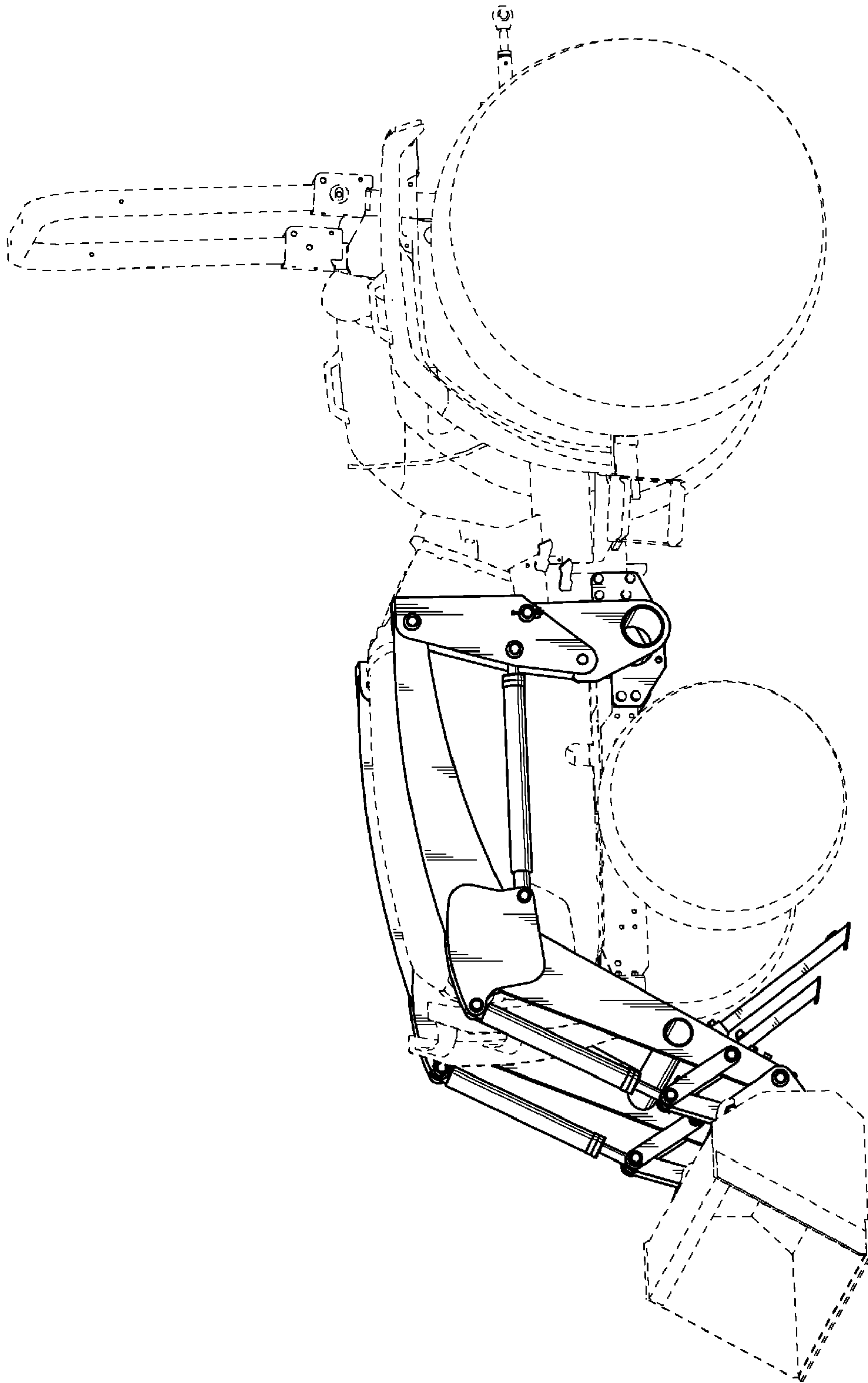


FIG. 8