

US00D595745S

(12) **United States Design Patent**  
**Jorgensen et al.**

(10) **Patent No.:** **US D595,745 S**  
(45) **Date of Patent:** **\*\* Jul. 7, 2009**

(54) **FORESTRY FORWARDER CAB**

D523,029 S \* 6/2006 Crawford et al. .... D15/30

(75) Inventors: **Chad Kingston Jorgensen**, Byron, MN (US); **Greg D. Finnes**, Mantorville, MN (US)

(73) Assignee: **Caterpillar Inc.**, Peoria, IL (US)

(\*\*) Term: **14 Years**

(21) Appl. No.: **29/327,802**

(22) Filed: **Nov. 13, 2008**

(51) **LOC (9) Cl.** ..... **15-03**

(52) **U.S. Cl.** ..... **D15/30**

(58) **Field of Classification Search** ..... D15/22–26,  
D15/28, 30, 31; D12/11, 96; 56/244, 249,  
56/255–257, 264, 13.3, 13.4, DIG. 22; 296/190.01,  
296/190.08; 180/89.12, 69.2, 69.22, 69.24,  
180/69.25

See application file for complete search history.

(56) **References Cited**

**U.S. PATENT DOCUMENTS**

- D222,533 S \* 11/1971 Lorenz ..... D15/30
- D244,443 S \* 5/1977 Borrill ..... D15/30
- D245,982 S \* 10/1977 Pelly ..... D15/23
- D245,983 S \* 10/1977 Stone et al. .... D15/30
- D249,522 S \* 9/1978 Elfes et al. .... D15/30
- D264,472 S \* 5/1982 Carlson et al. .... D15/23
- D279,660 S \* 7/1985 Martin, Jr. .... D12/96
- D297,329 S \* 8/1988 Monehaie et al. .... D15/30
- D312,467 S \* 11/1990 Long et al. .... D15/30
- D384,358 S \* 9/1997 Smith ..... D15/30
- D438,878 S 3/2001 Brandenburg, III et al.
- D446,225 S 8/2001 Brandenburg, III et al.
- D449,252 S \* 10/2001 Takeshita et al. .... D12/11
- D455,763 S \* 4/2002 Brandenburg et al. .... D15/30
- D471,213 S \* 3/2003 Kwak et al. .... D15/30
- D479,536 S \* 9/2003 Dahl et al. .... D15/30

**OTHER PUBLICATIONS**

John Deere Forestry: Forwarders Brochure, [online], (retrieved on Mar. 9, 2009) Retrieved from the John Deere database website using internet <URL: [http://www.deere.com/en\\_US/cfd/forestry/deere\\_forestry/media/pdfs/forwarders/1010D\\_1110D\\_1410D\\_1710DForw.pdf](http://www.deere.com/en_US/cfd/forestry/deere_forestry/media/pdfs/forwarders/1010D_1110D_1410D_1710DForw.pdf)>.

Tigercat: 1075B Forwarder [online], (retrieved on Mar. 9, 2009) Retrieved from the Tigercat website using internet <URL: <http://www.tigercat.com/for.htm>>.

Tigercat: Forwarders [online], (retrieved on Mar. 9, 2009) Retrieved from the Tigercat website using internet <URL: <http://www.tigercat.com/for.htm>>.

Tigercat: 1055B Forwarder [online], (retrieved on Mar. 9, 2009) Retrieved from the Tigercat website using internet <URL: <http://www.tigercat.com/for.htm>>.

Tigercat: 1045B Forwarder [online], (retrieved on Mar. 9, 2009) Retrieved from the Tigercat website using internet <URL: <http://www.tigercat.com/for.htm>>.

\* cited by examiner

*Primary Examiner*—Stella M Reid

*Assistant Examiner*—Mark A Goodwin

(74) *Attorney, Agent, or Firm*—David E. Roberts

(57) **CLAIM**

The ornamental design for forestry forwarder cab, as substantially shown and described.

**DESCRIPTION**

FIG. 1 is a first side view of a forestry forwarder cab showing our new design;

FIG. 2 is a second side view thereof;

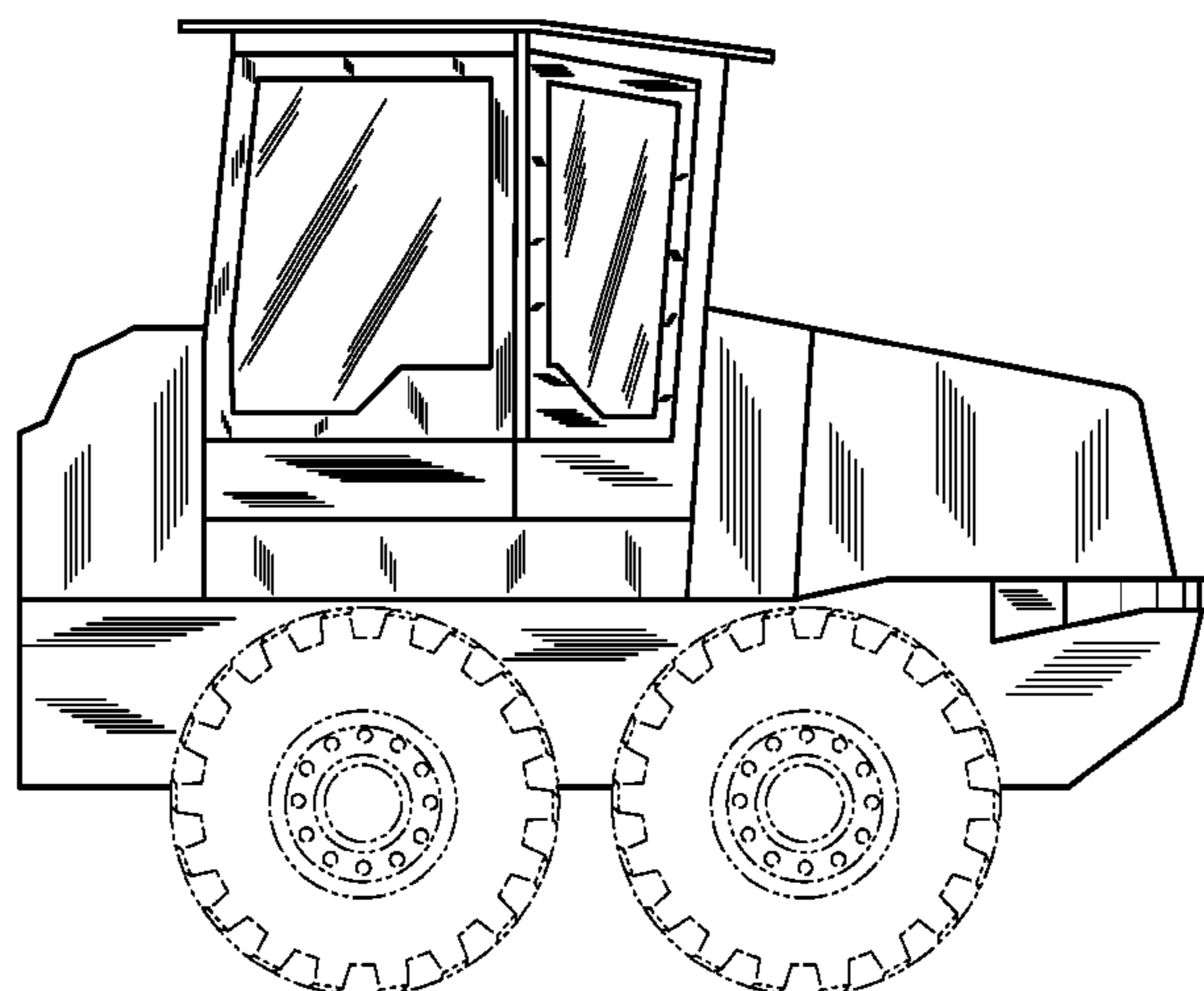
FIG. 3 is a back view thereof;

FIG. 4 is a front view thereof; and,

FIG. 5 is a top view thereof.

The broken line showing of the wheels in FIGS. 1 and 2 is included for the purpose of illustrating portions of the forestry forwarder cab forming no part of the claimed design.

**1 Claim, 5 Drawing Sheets**



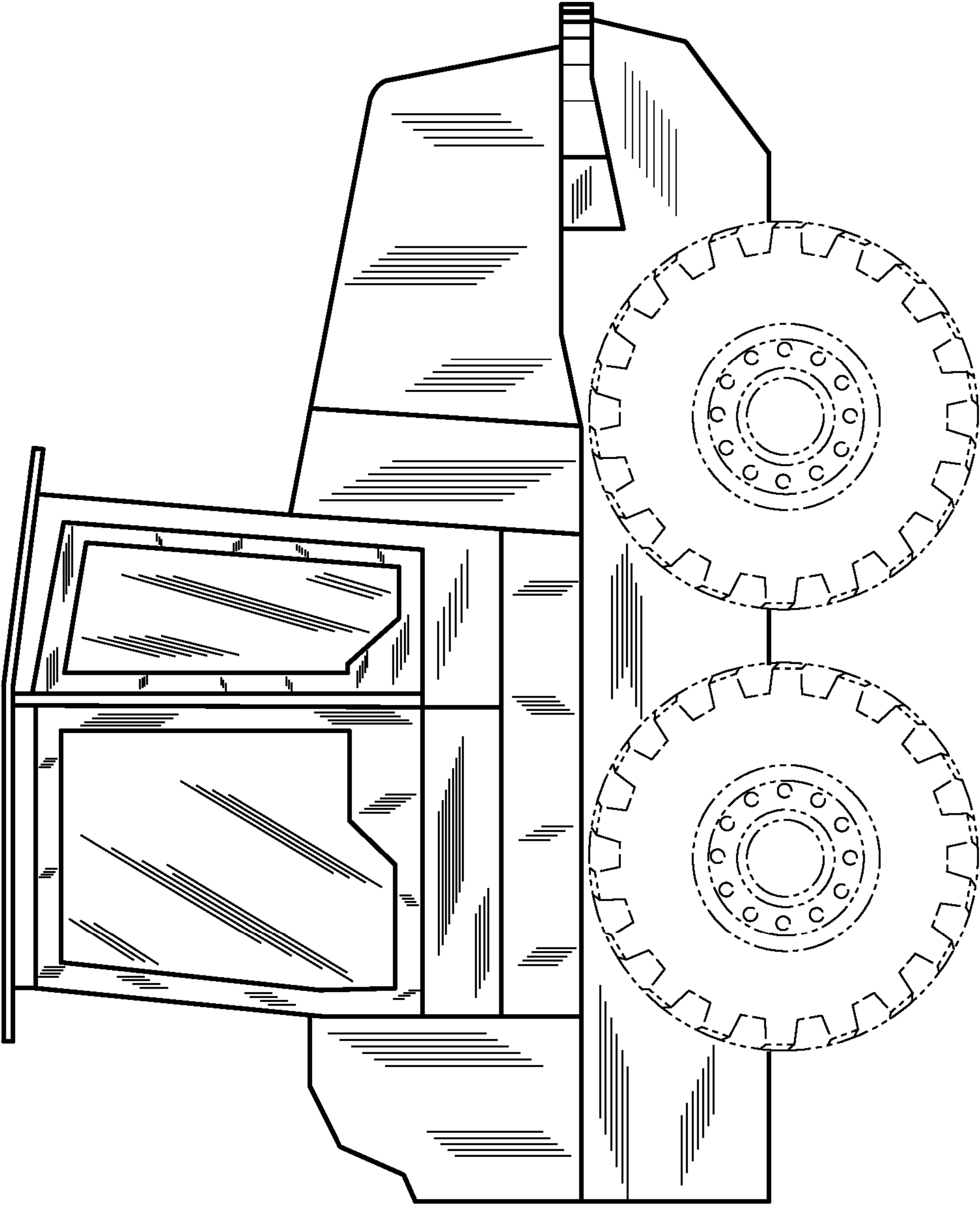


FIG. 1

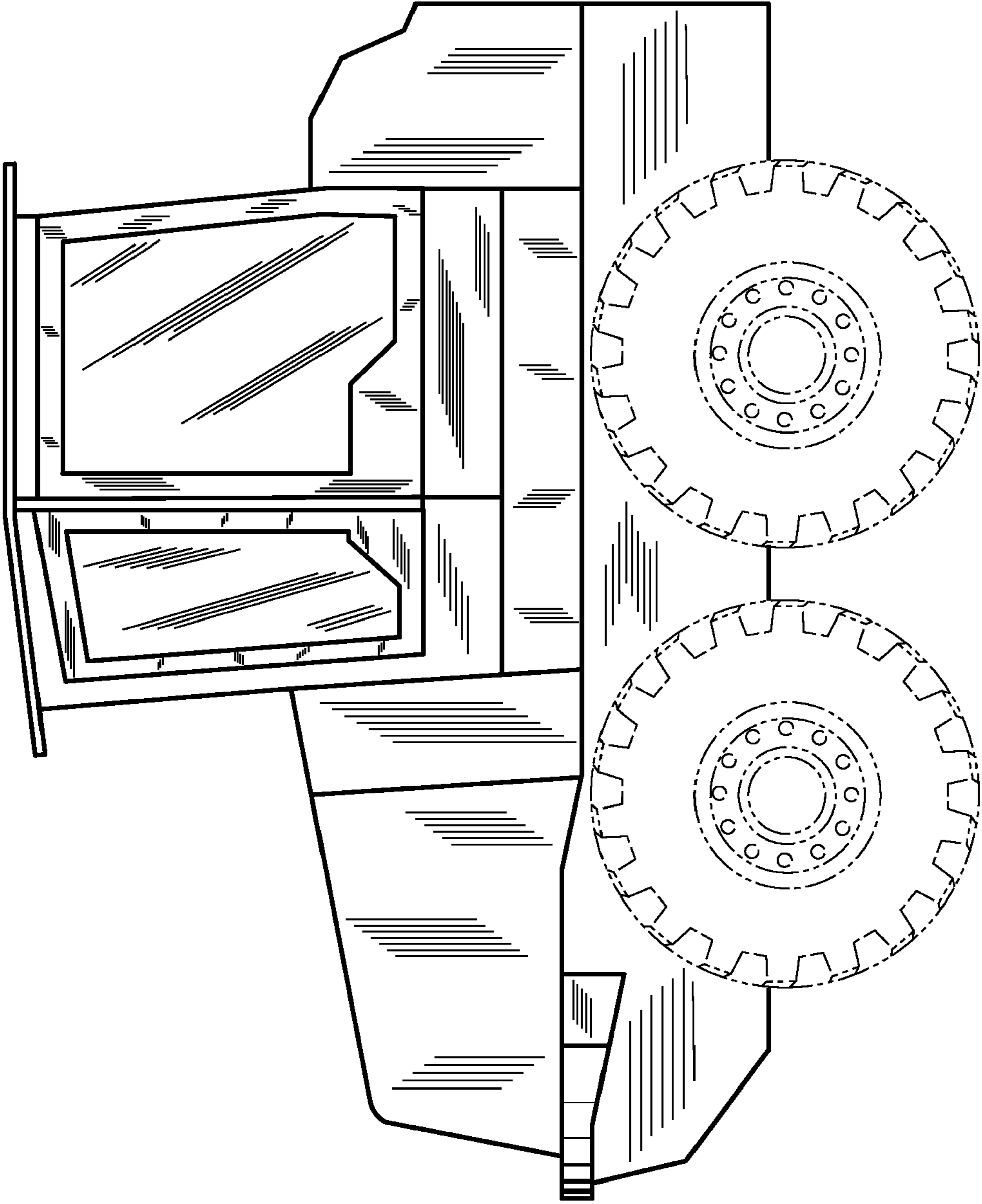


FIG. 2

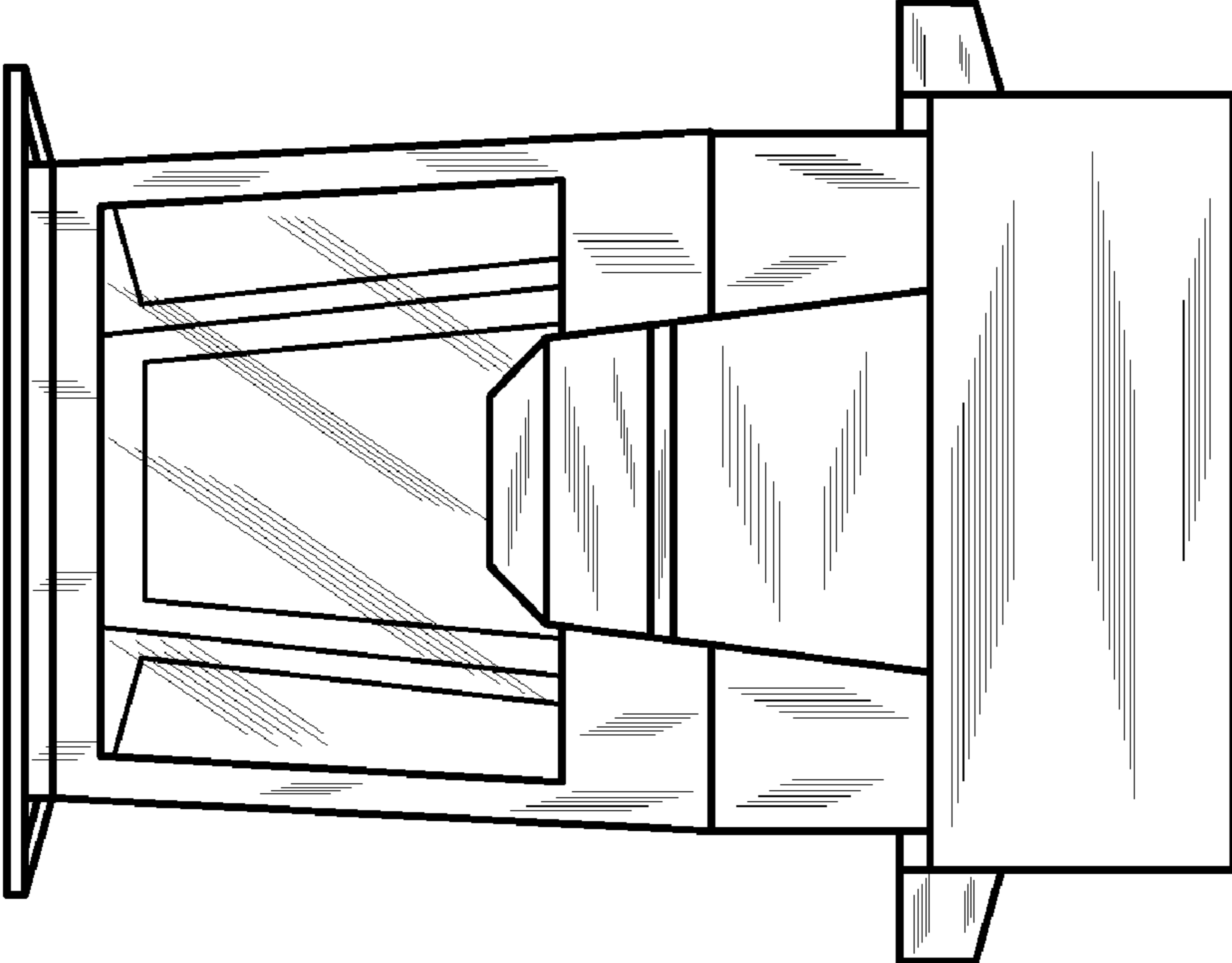


FIG. 3

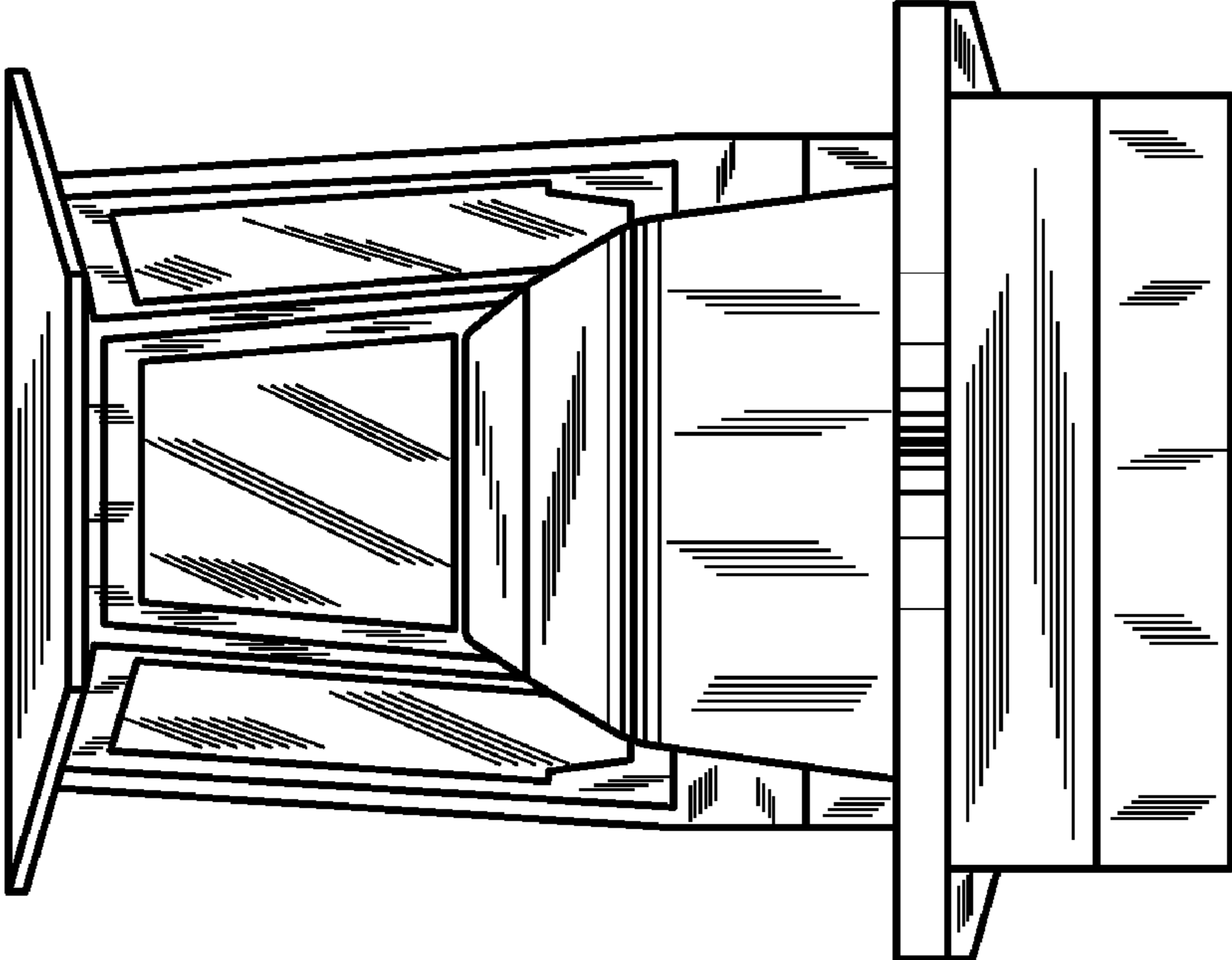


FIG. 4

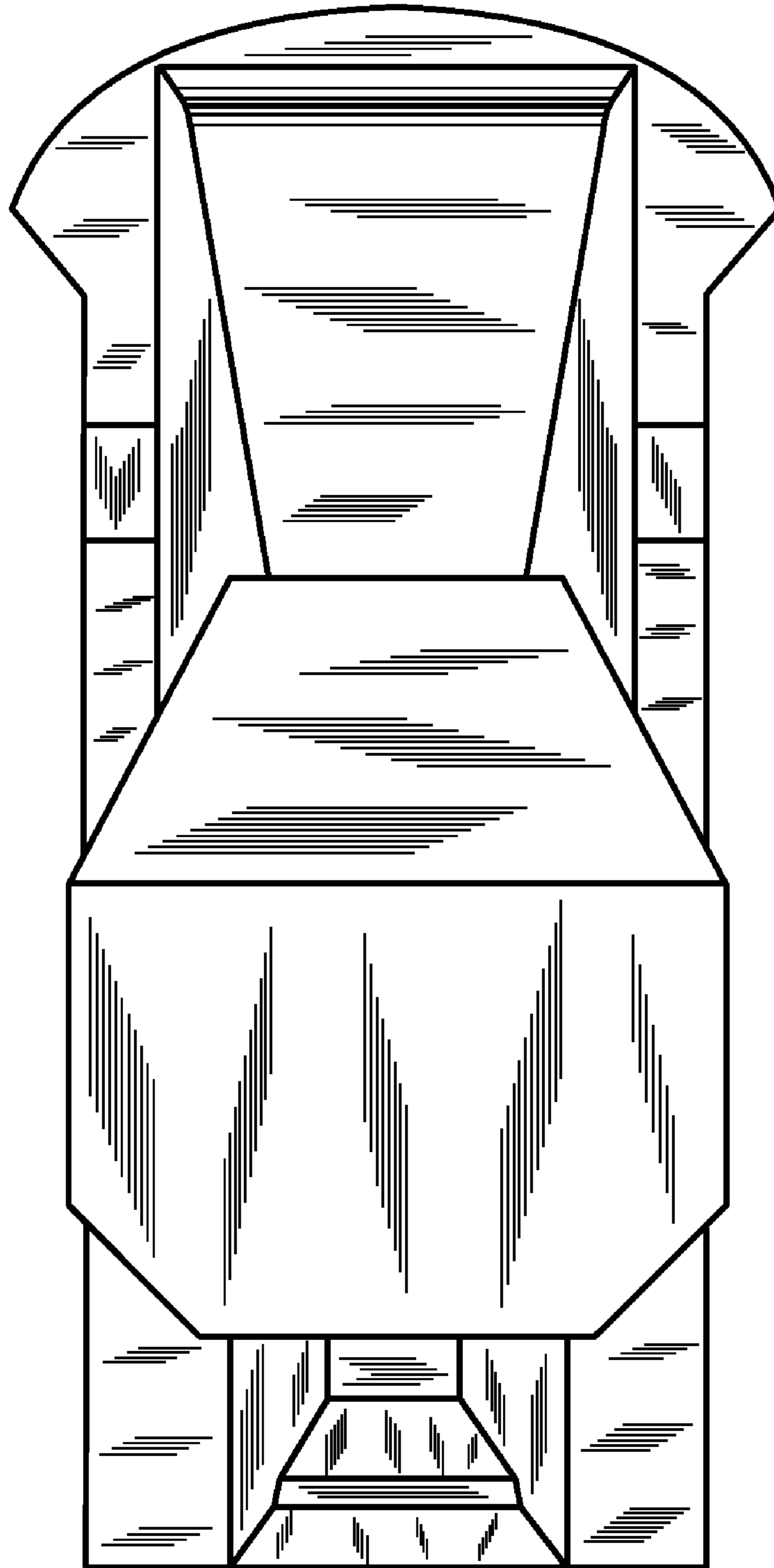


FIG. 5