



US00D595741S

(12) **United States Design Patent**
Dickertmann

(10) **Patent No.:** **US D595,741 S**
(45) **Date of Patent:** **** Jul. 7, 2009**

(54) **HOUSING FOR UNDERWATER PUMPS**

(75) Inventor: **Olaf Dickertmann**, Loehe (DE)

(73) Assignee: **Messner International GmbH**, Kalletal (DE)

(**) Term: **14 Years**

(21) Appl. No.: **29/317,659**

(22) Filed: **May 4, 2008**

(30) **Foreign Application Priority Data**

Nov. 12, 2007 (EM) 000824354

(51) **LOC (9) Cl.** **15-02**

(52) **U.S. Cl.** **D15/7**

(58) **Field of Classification Search** D15/7-9;
D23/232, 231; 417/359, 415-416, 410.1,
417/321, 265, 405

See application file for complete search history.

(56) **References Cited**

U.S. PATENT DOCUMENTS

- D375,962 S 11/1996 Wong
- D398,011 S 9/1998 Wang
- D441,376 S * 5/2001 Gohil et al. D15/7
- D480,093 S 9/2003 Attolini
- D500,769 S 1/2005 Montgomery
- D522,534 S * 6/2006 Kawasaki D15/7
- D533,880 S * 12/2006 Chen D15/7

- D541,822 S 5/2007 Wang
- D541,823 S 5/2007 Wang
- D558,234 S 12/2007 Dickertmann
- D558,235 S 12/2007 Dickertmann
- D562,349 S * 2/2008 Bulter D15/9

FOREIGN PATENT DOCUMENTS

- DE 29917975 U1 12/2000
- DE 40302005 4/2003

* cited by examiner

Primary Examiner—R. Seifert

(74) *Attorney, Agent, or Firm*—Patent Central LLC; Stephen A. Pendorf

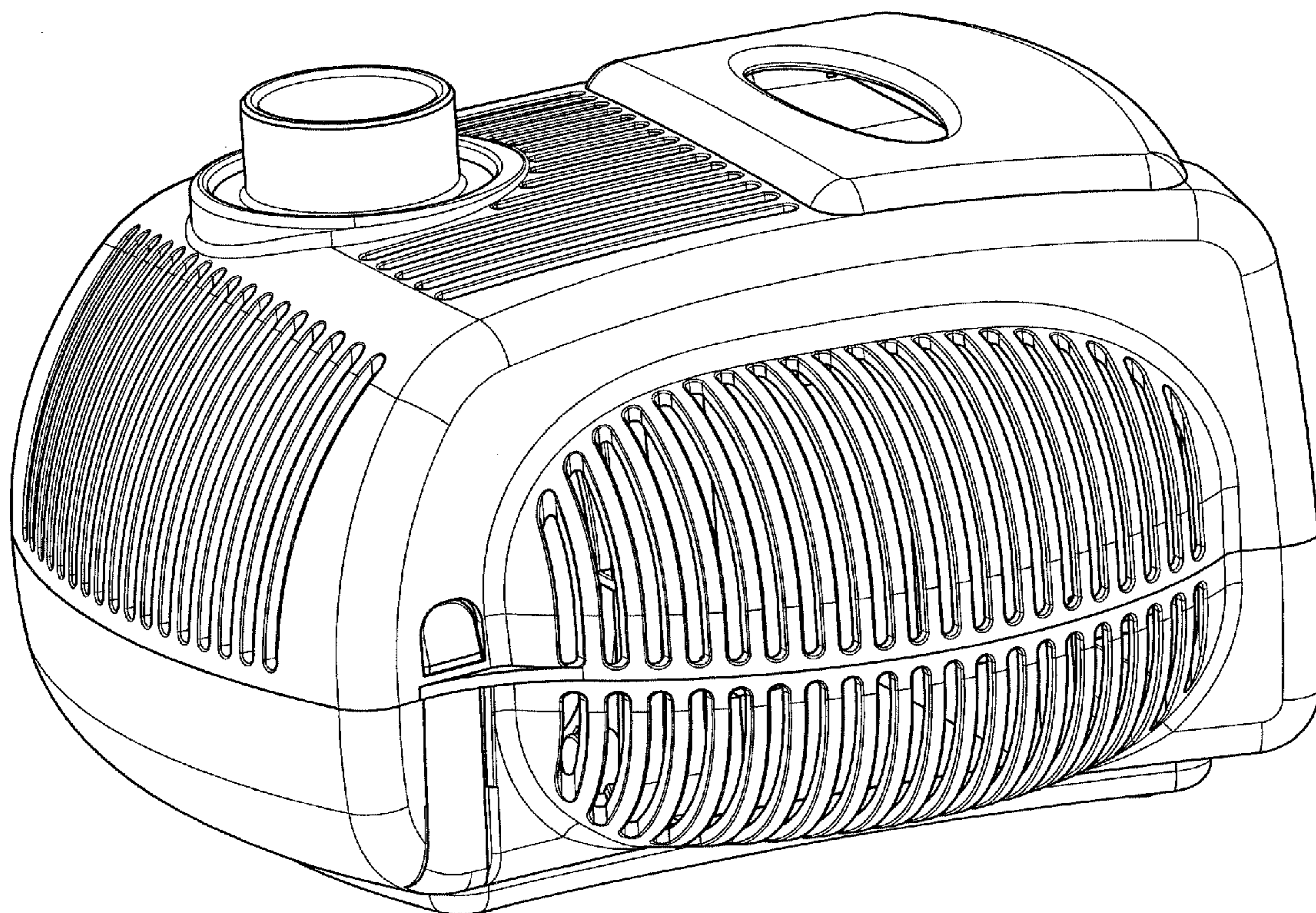
(57) **CLAIM**

The ornamental design for a housing for under water pumps, as shown and described.

DESCRIPTION

- FIG. 1 is a front elevated perspective view thereof;
- FIG. 2 is a front view thereof;
- FIG. 3 is a side view thereof;
- FIG. 4 is top view thereof;
- FIG. 5 is an opposite side view thereof;
- FIG. 6 is a bottom view thereof; and,
- FIG. 7 is a back view thereof.

1 Claim, 7 Drawing Sheets



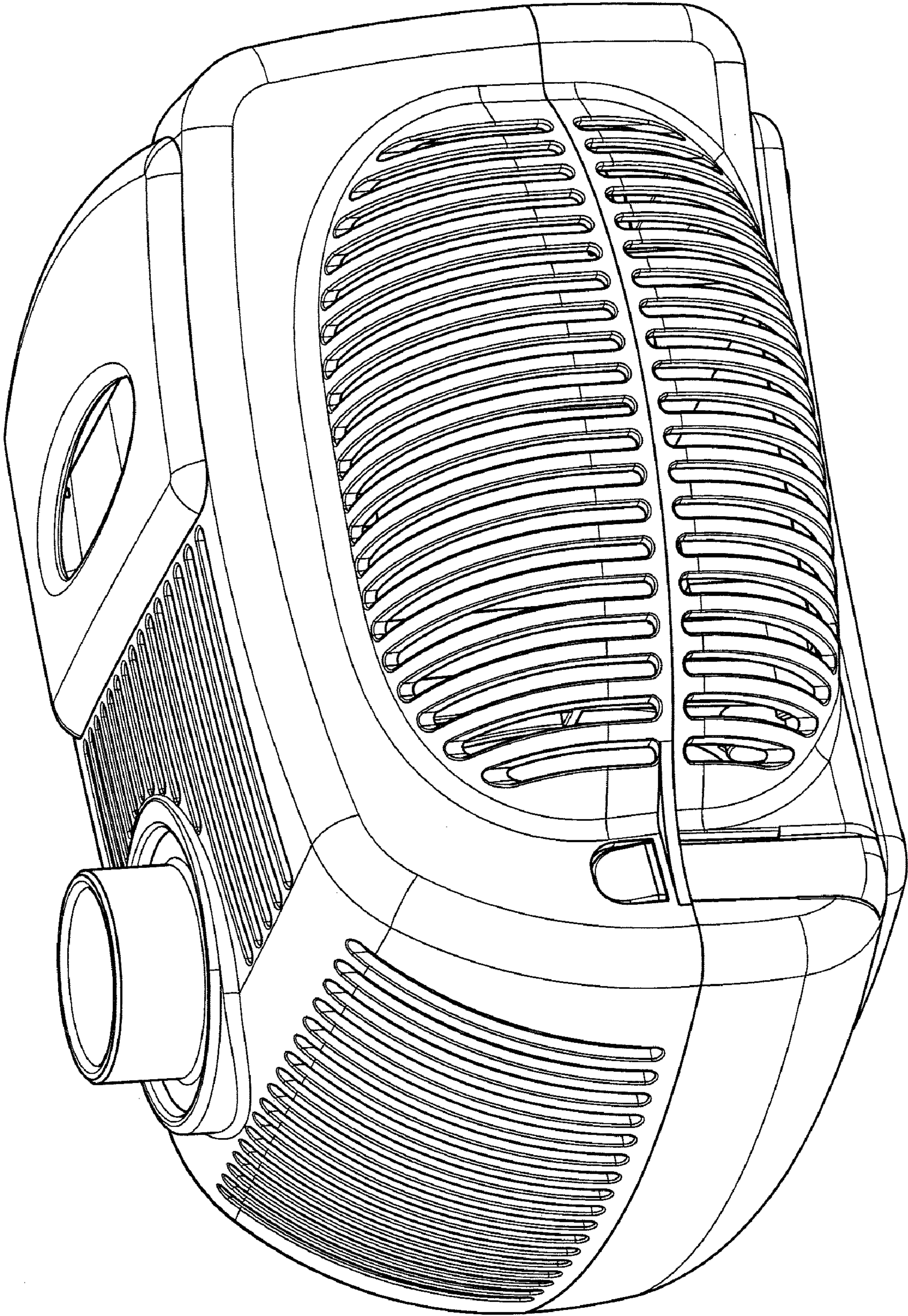


Fig. 1

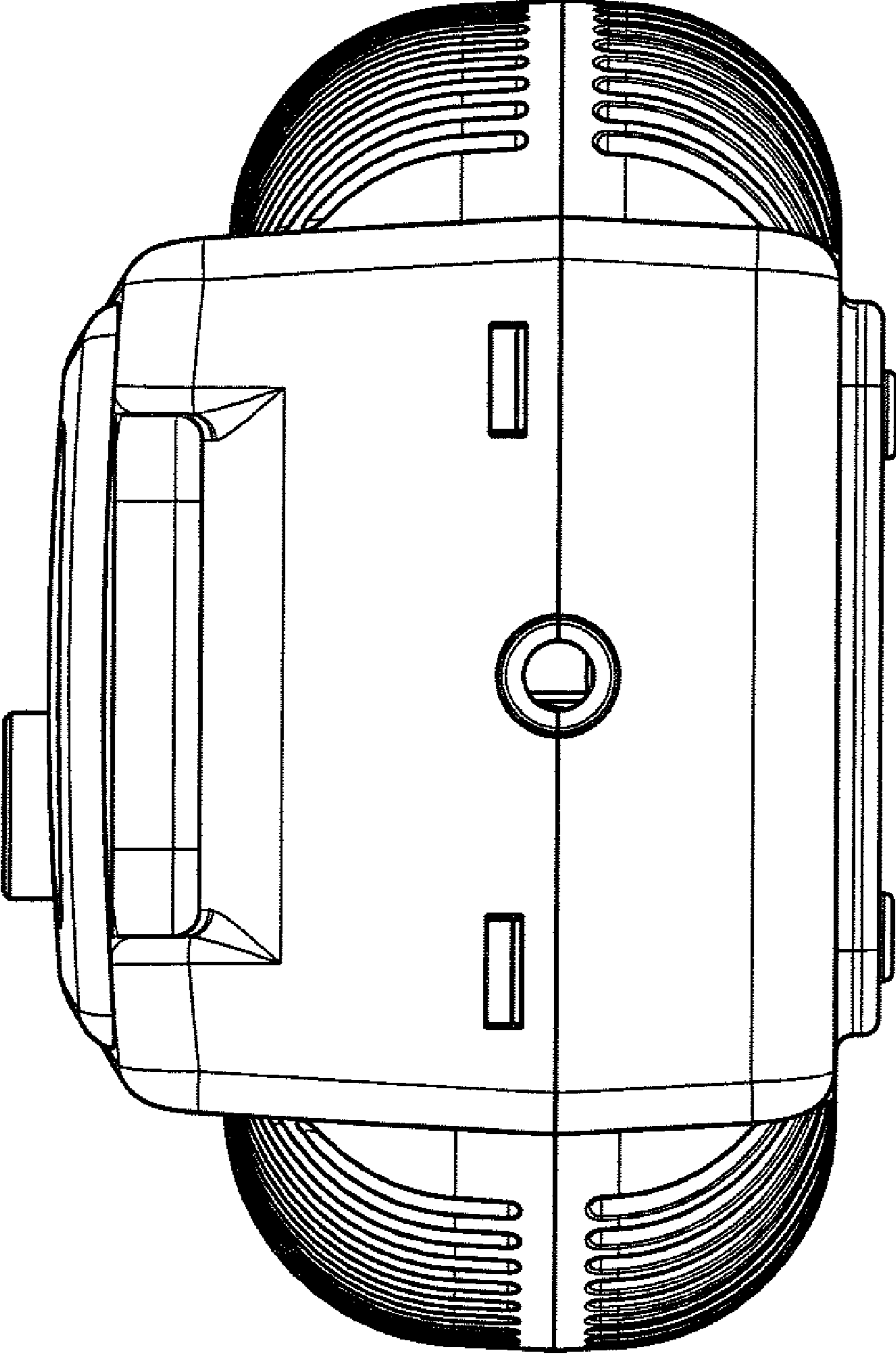


Fig. 2

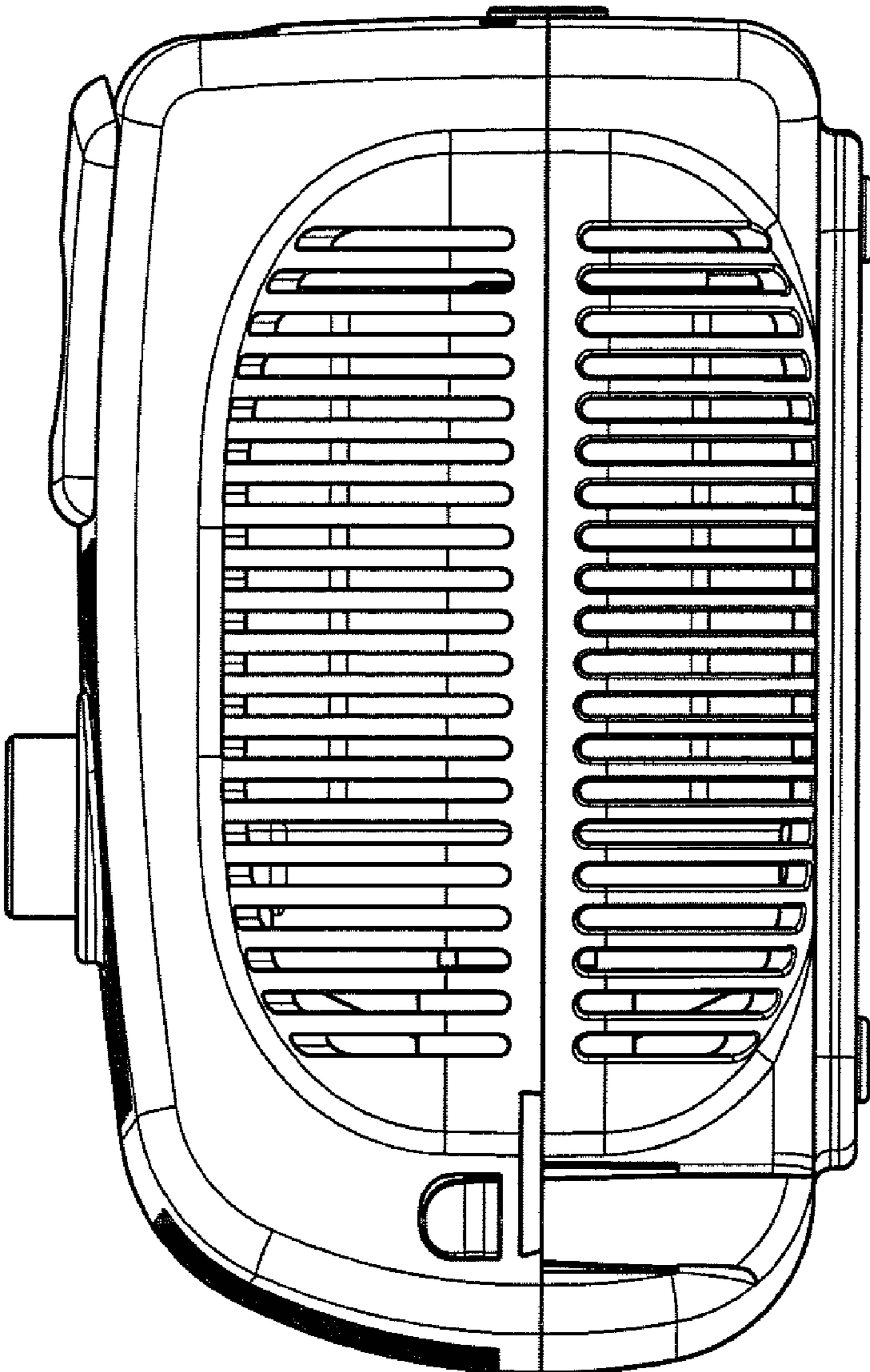


Fig. 3

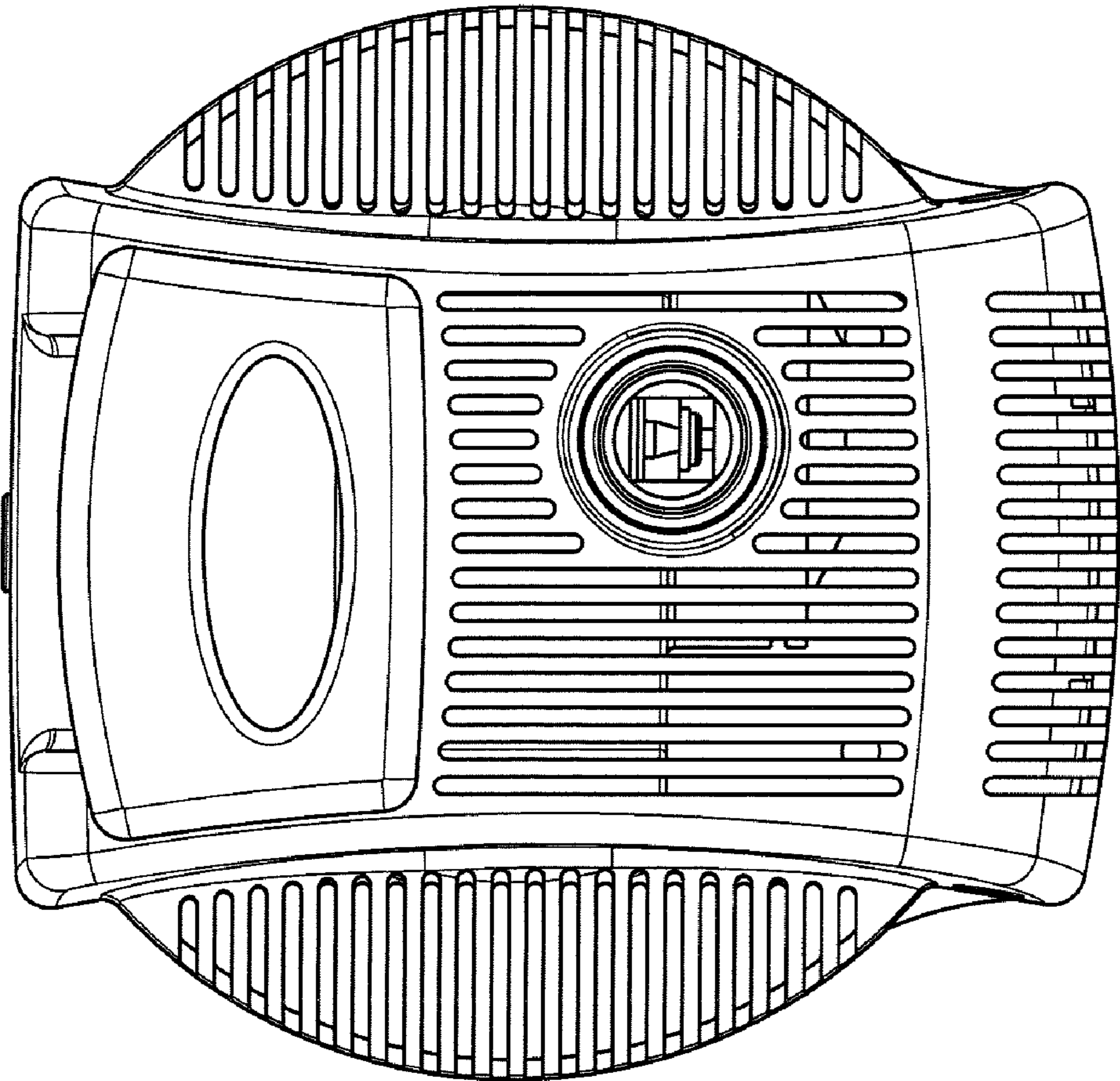


Fig. 4

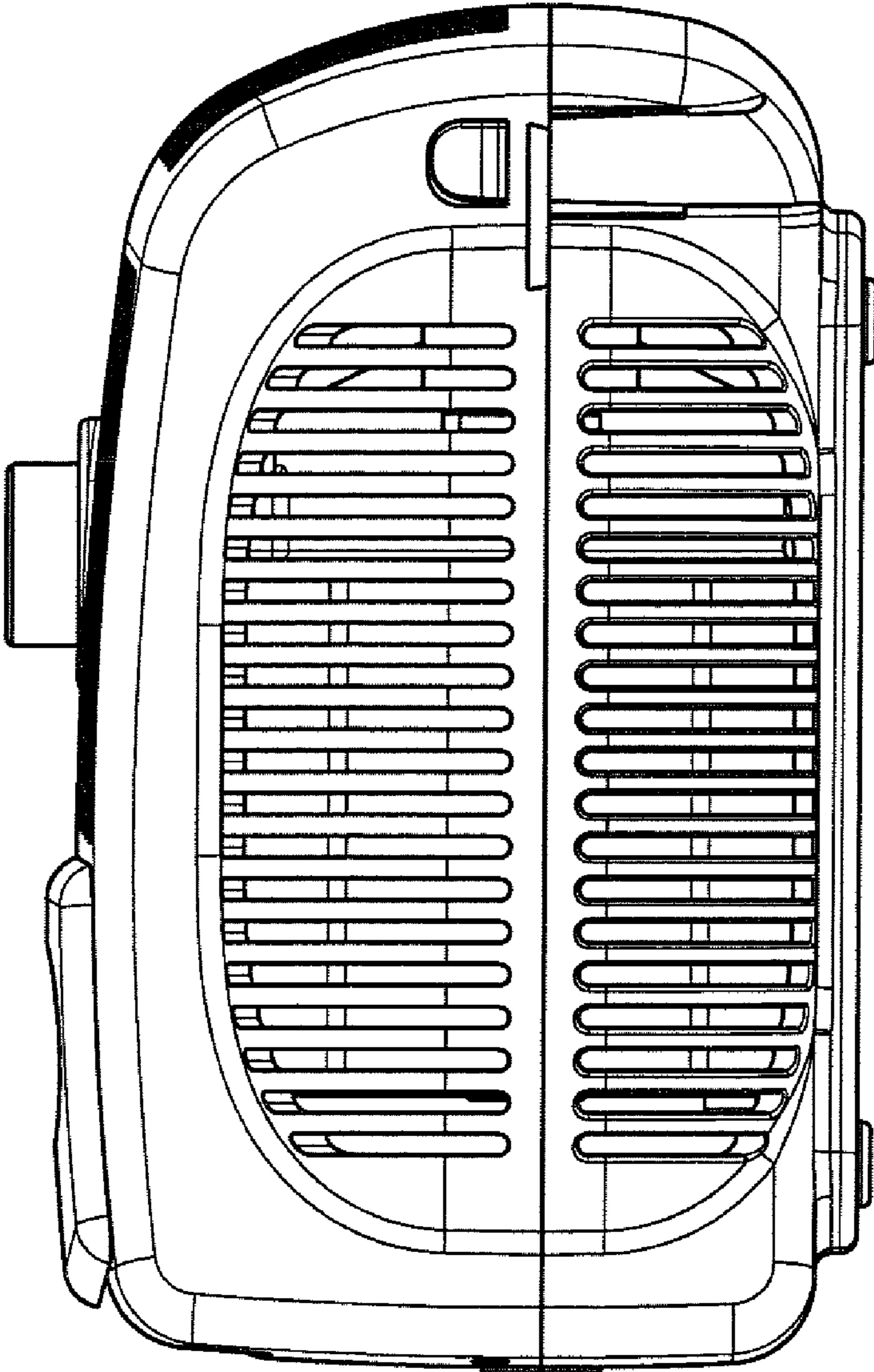


Fig. 5

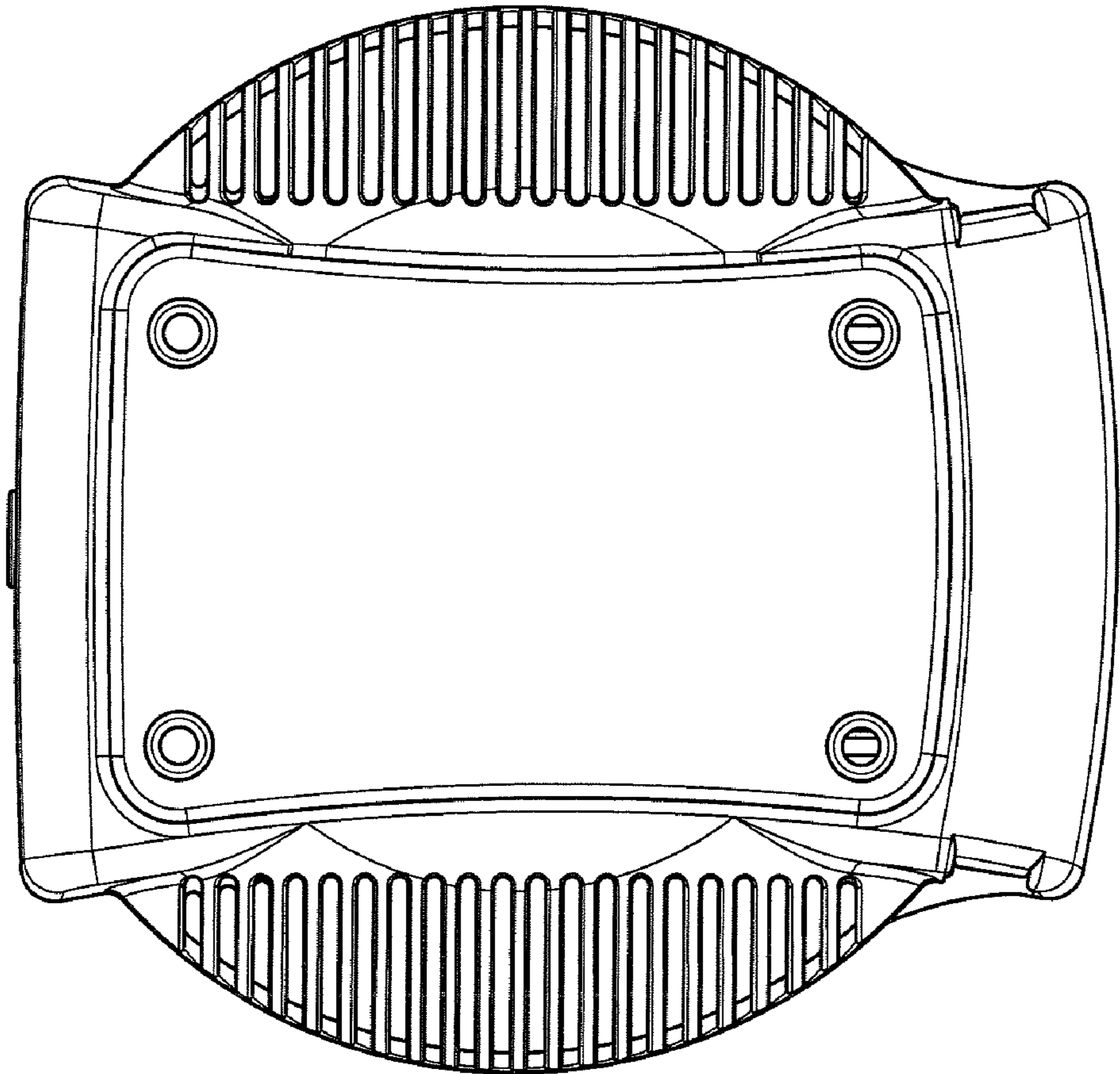


Fig. 6

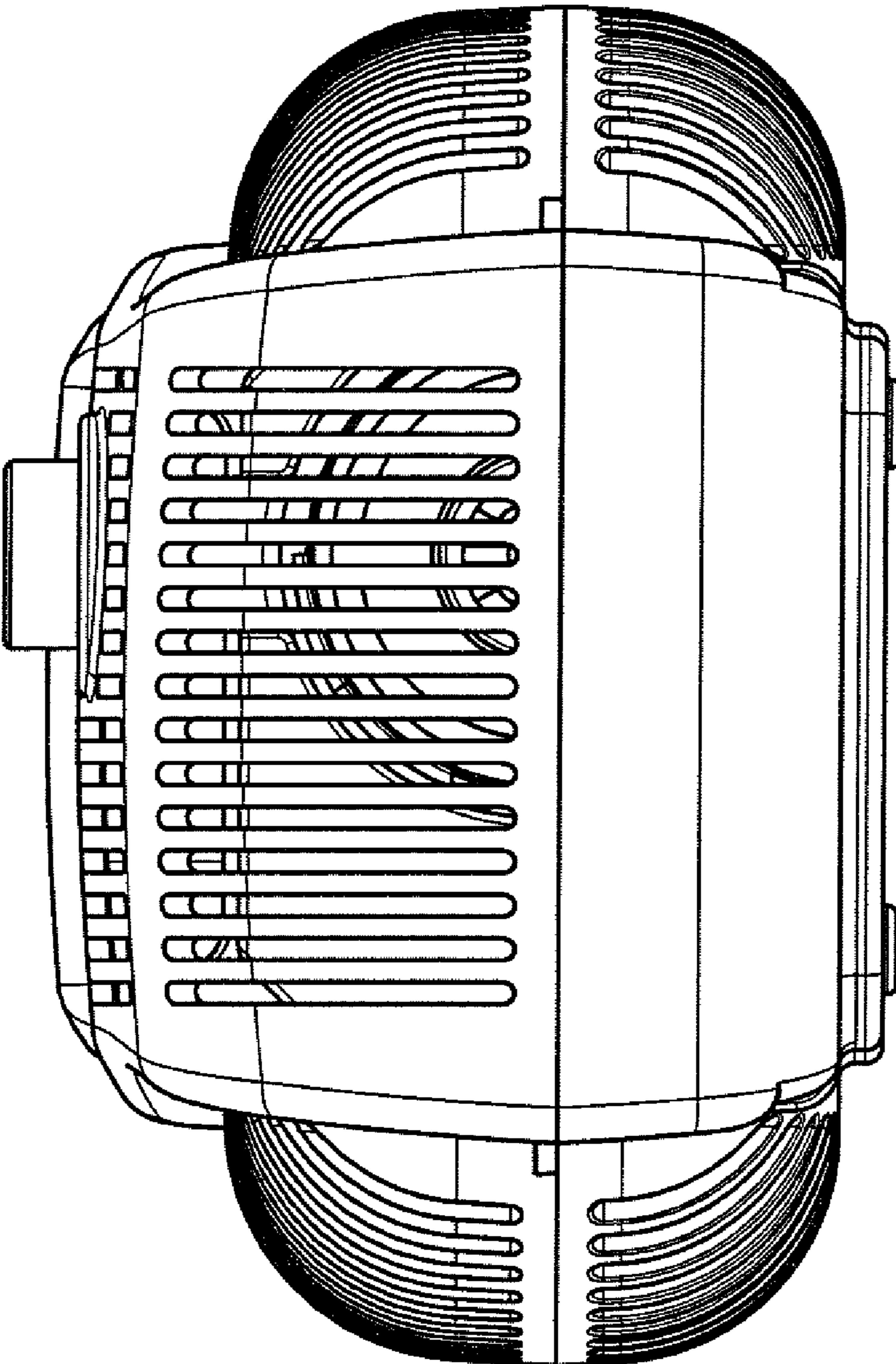


Fig. 7