



US00D595737S

(12) **United States Design Patent**
Neeley et al.

(10) **Patent No.:** **US D595,737 S**

(45) **Date of Patent:** **** Jul. 7, 2009**

(54) **ENGINE**

D521,528 S * 5/2006 Kamijo et al. D15/1

(75) Inventors: **Brian D. Neeley**, West Bend, WI (US);
Bart Mayer, Fond du Lac, WI (US)

* cited by examiner

Primary Examiner—Lisa P Lichtenstein

(73) Assignee: **Briggs & Stratton Corporation**,
Wauwatosa, WI (US)

(74) *Attorney, Agent, or Firm*—Michael Best & Friedrich
LLP

(**) Term: **14 Years**

(57) **CLAIM**

(21) Appl. No.: **29/306,238**

We claim the ornamental design for an engine, as shown and
described.

(22) Filed: **Apr. 4, 2008**

DESCRIPTION

(51) **LOC (9) Cl.** **15-01**

FIG. 1 is a perspective view of an engine embodying the
invention;

(52) **U.S. Cl.** **D15/1**

FIG. 2 is a front view of the engine of FIG. 1;

(58) **Field of Classification Search** D15/1,

FIG. 3 is a first side view of the engine of FIG. 1;

D15/3, 5, 17; 123/50 A, 50 B, 50 R, 198 E,
123/306, 308, 667, 41.7, 70 R

FIG. 4 is a second side view opposite the first side view of the
engine of FIG. 1;

See application file for complete search history.

FIG. 5 is a top view of the engine cover of FIG. 1;

(56) **References Cited**

FIG. 6 is a bottom view of the engine cover of FIG. 1; and,

U.S. PATENT DOCUMENTS

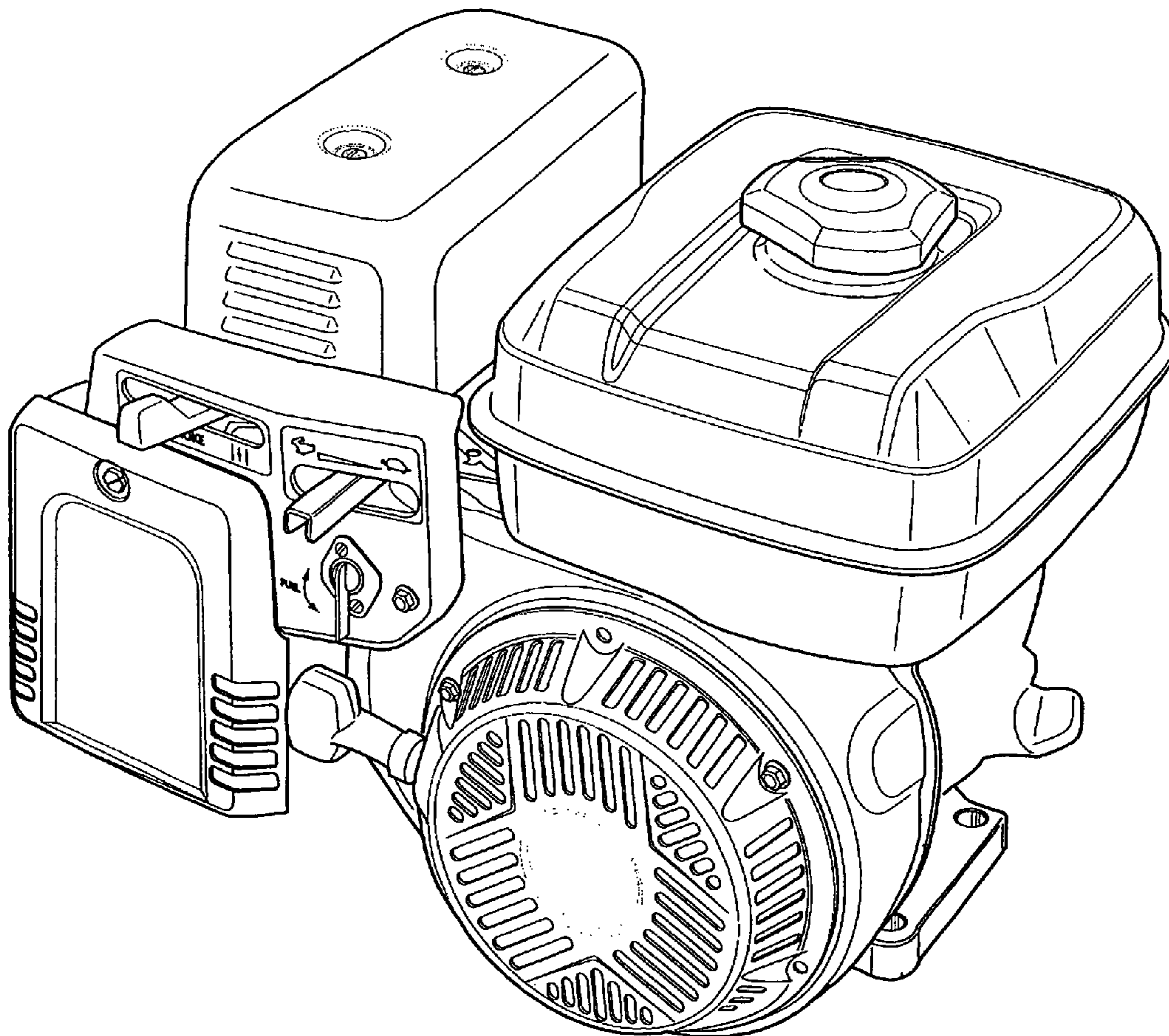
FIG. 7 is a rear view of the engine cover of FIG. 1.

D324,221 S * 2/1992 Kiyooka et al. D15/1

D398,010 S * 9/1998 Yoshida et al. D15/1

D515,589 S * 2/2006 Lin et al. D15/1

1 Claim, 7 Drawing Sheets



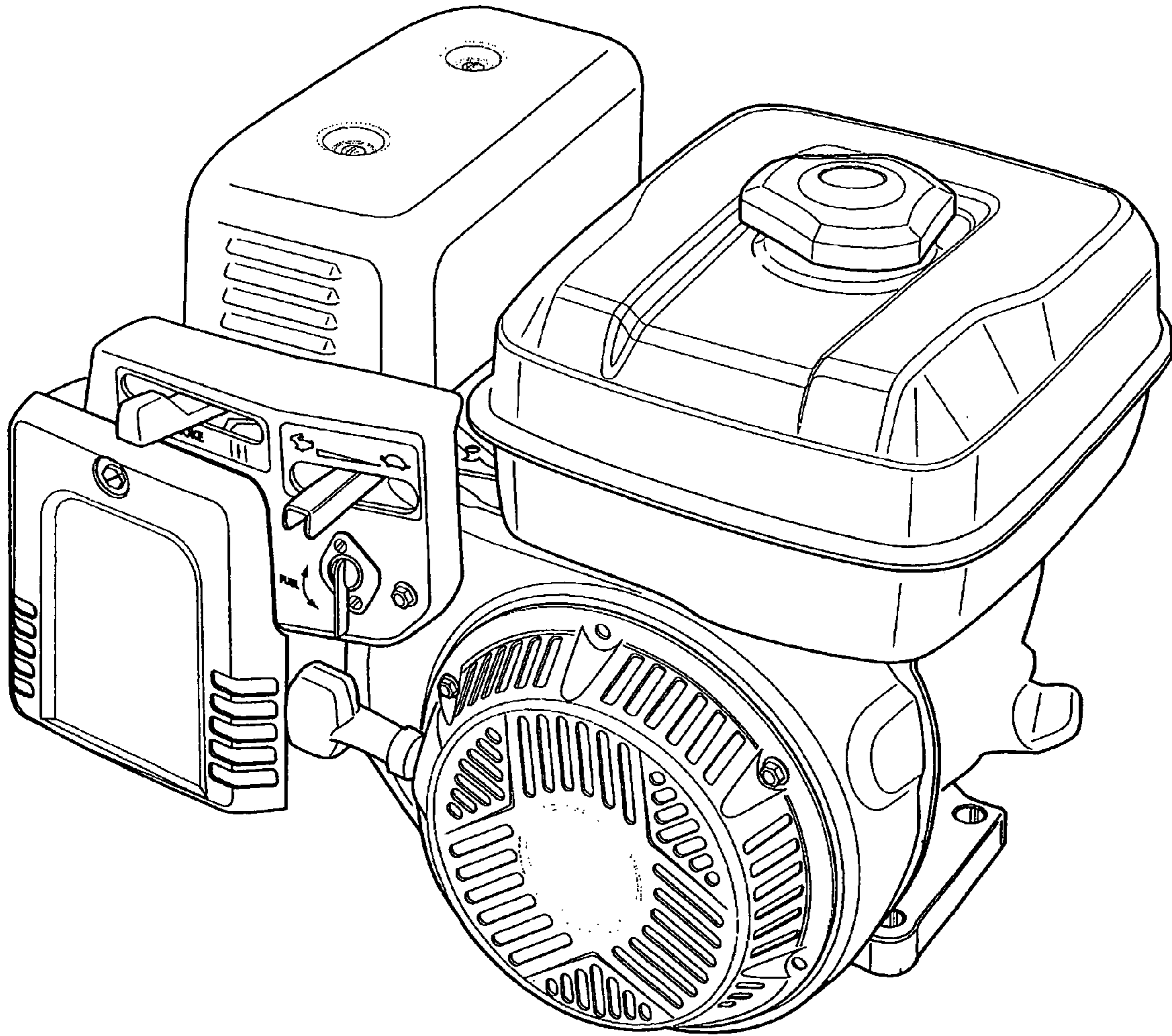


Fig. 1

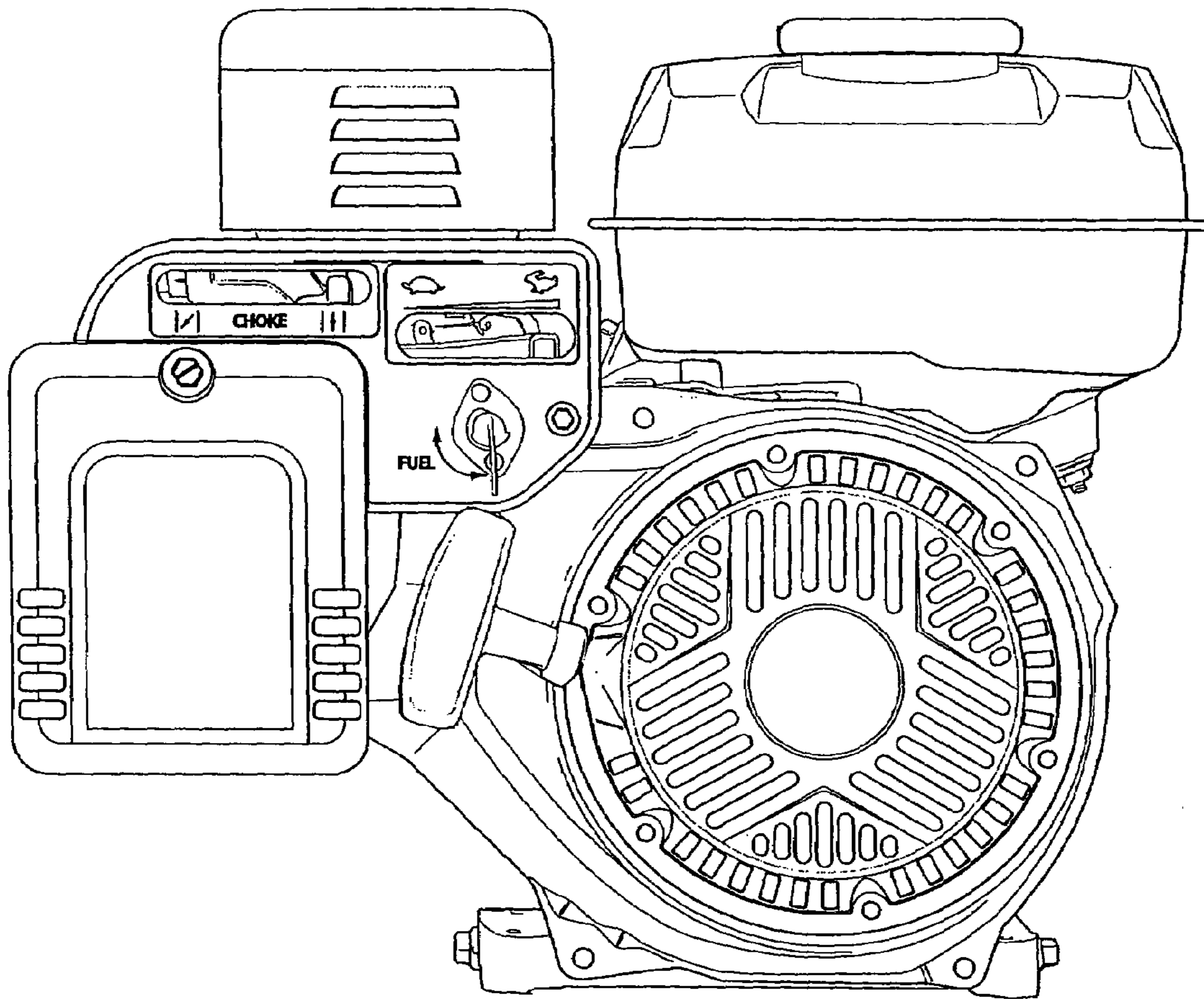


Fig. 2

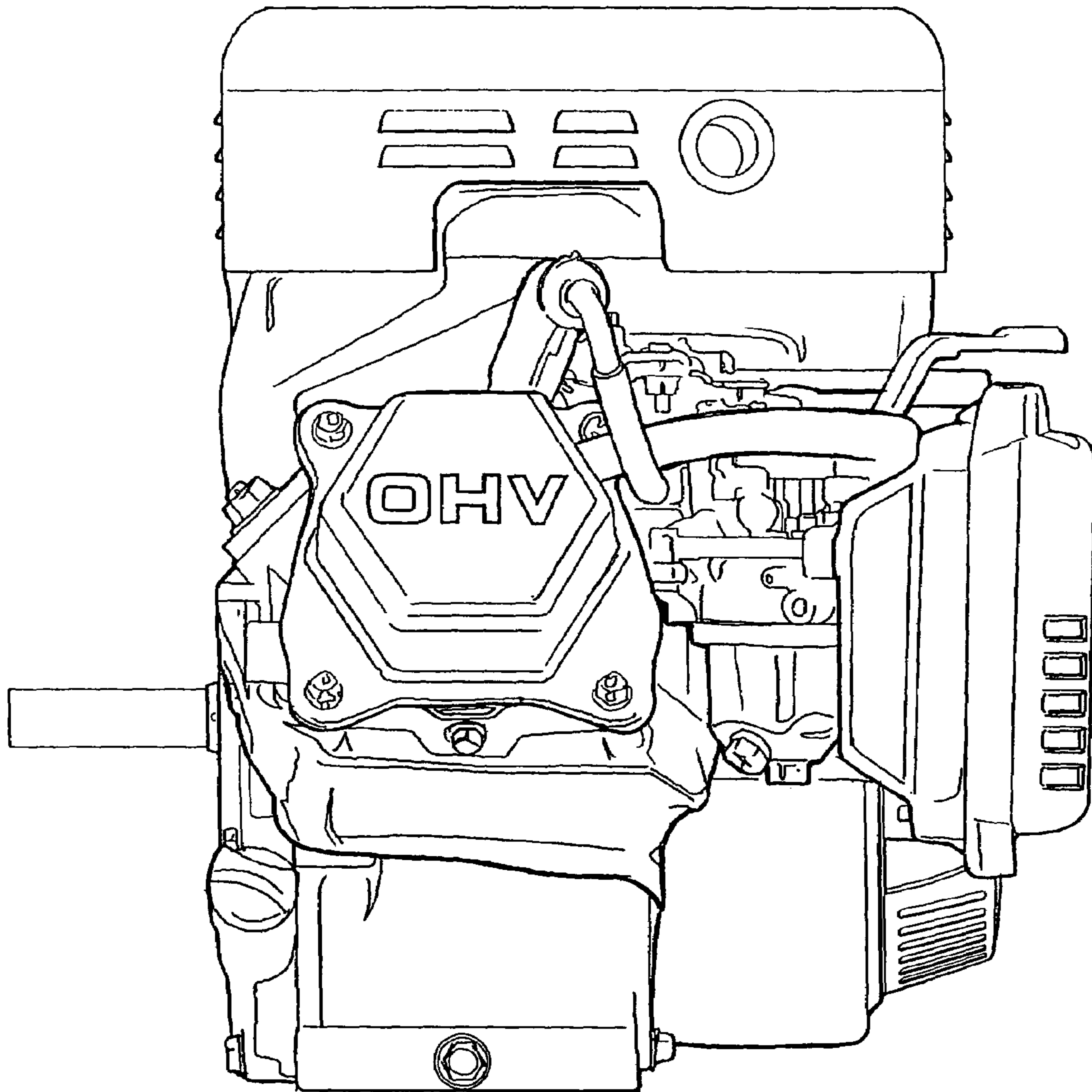


Fig. 3

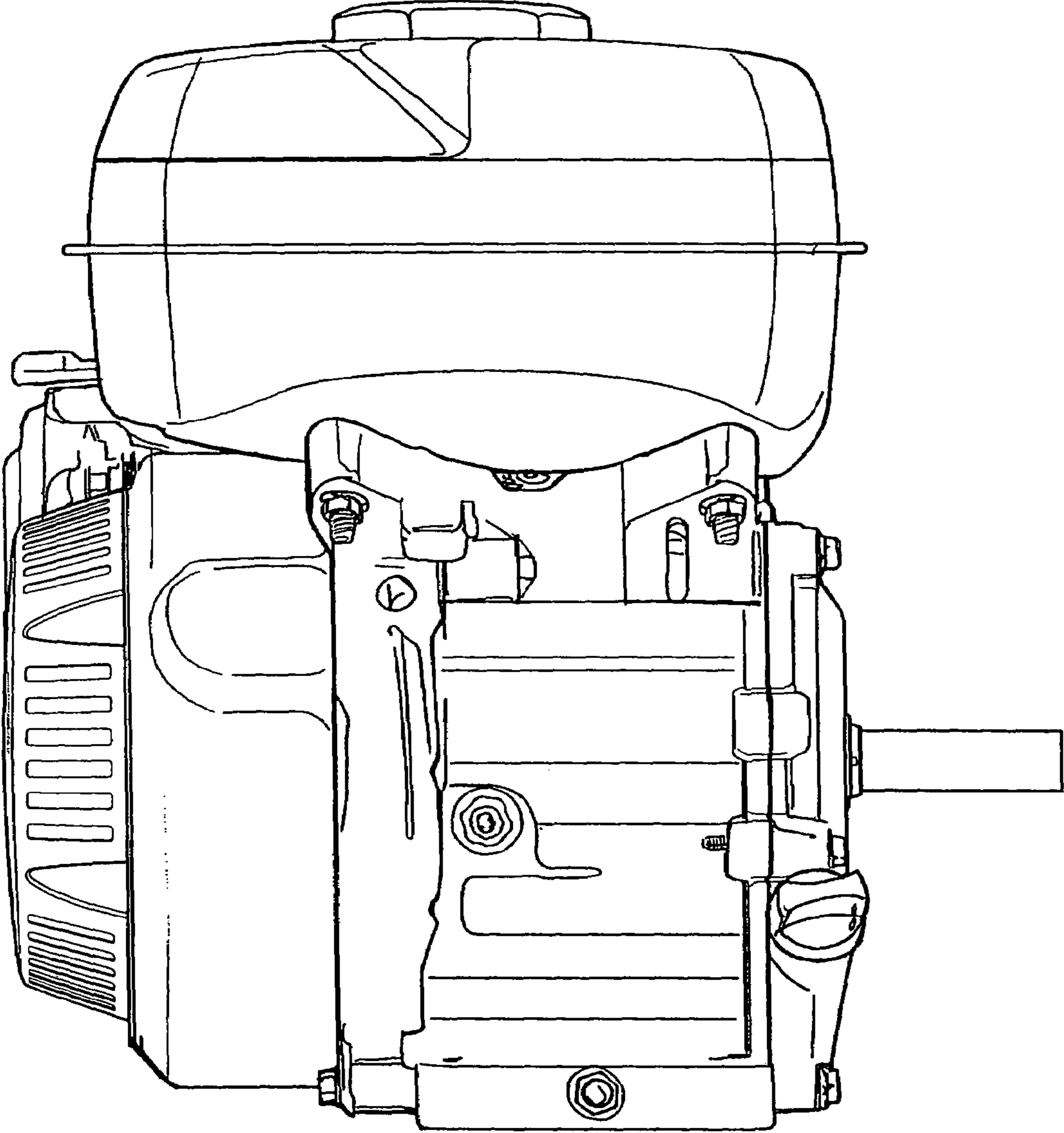


Fig. 4

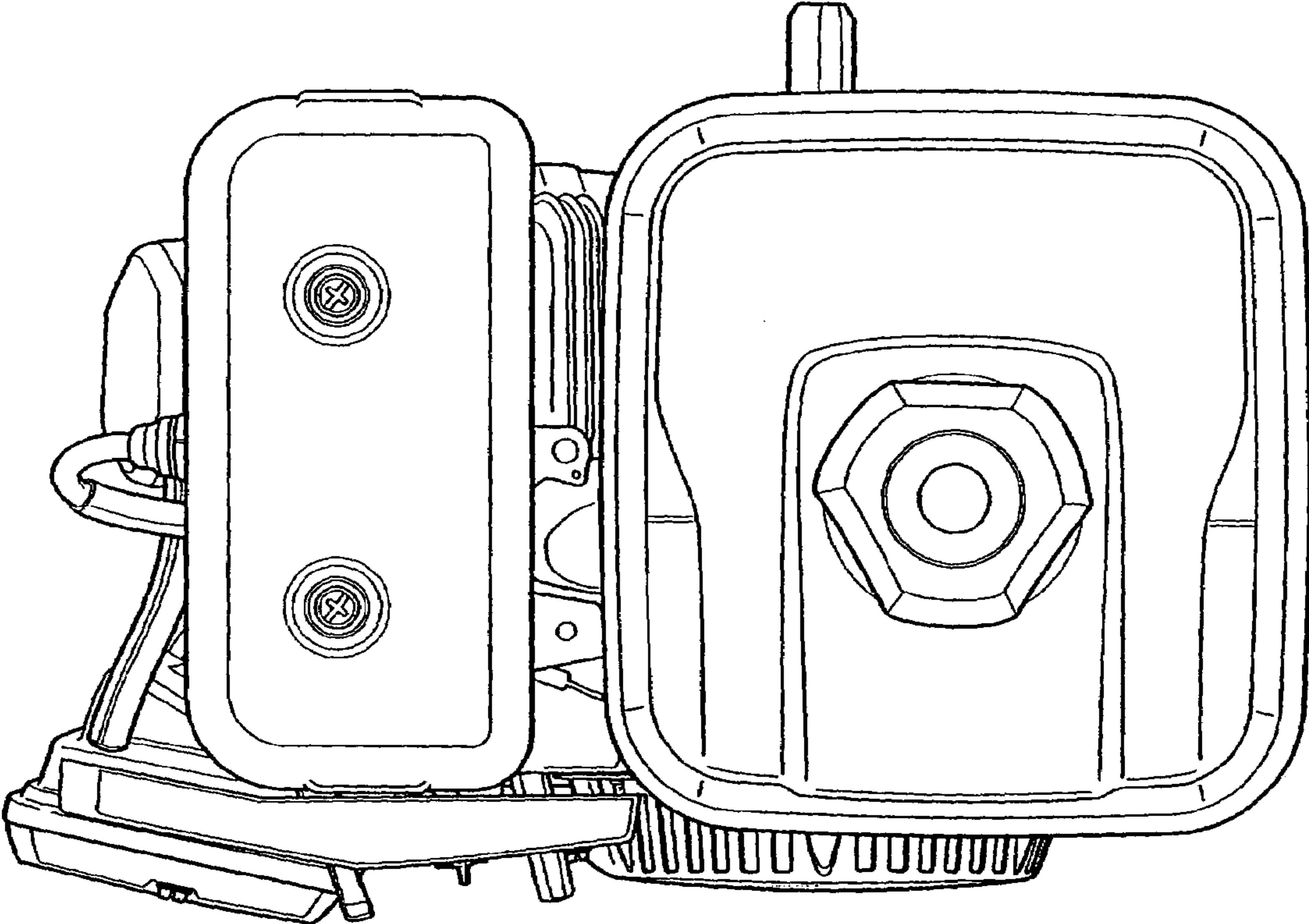


Fig. 5

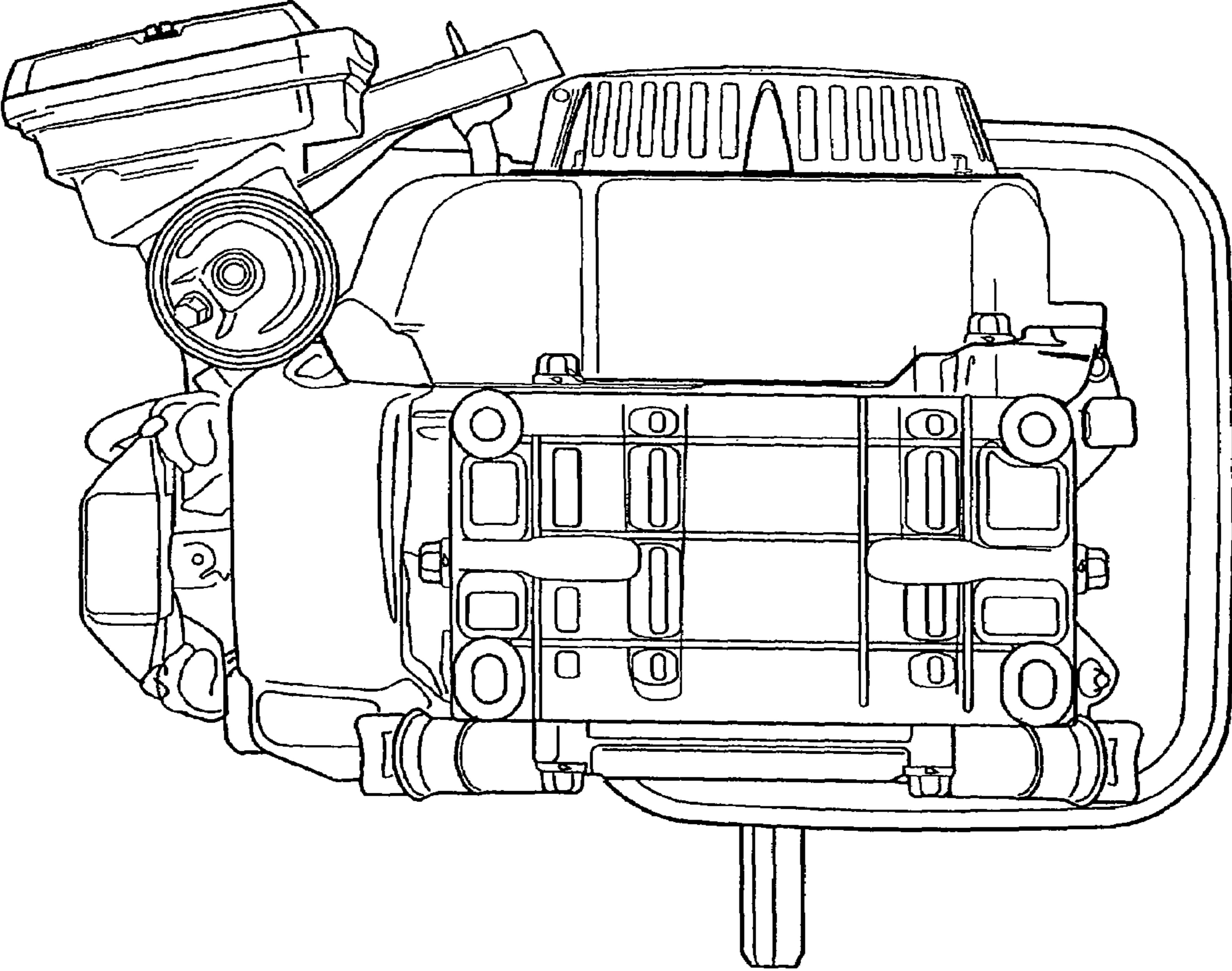


Fig. 6

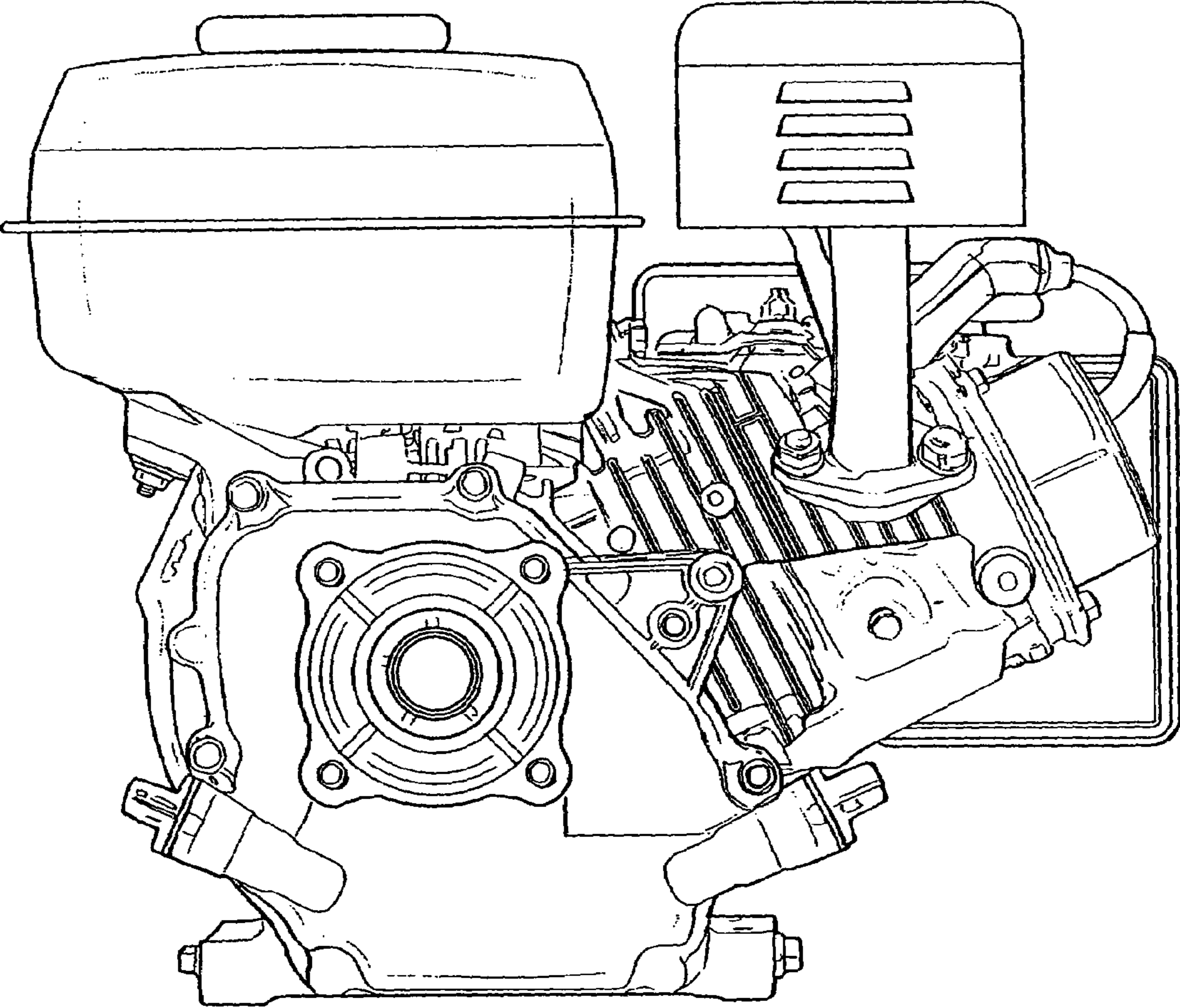


Fig. 7