

US00D595733S

(12) **United States Design Patent**
Harper et al.

(10) **Patent No.:** **US D595,733 S**

(45) **Date of Patent:** **** Jul. 7, 2009**

(54) **DIGITAL MUSIC PLAYER**

(76) Inventors: **Tara Harper**, 5934 Lakehurst, Dallas, TX (US) 75230; **George B. Harper**, 149 W. 4th St., Apt. 3A, New York, NY (US) 10012

(**) Term: **14 Years**

(21) Appl. No.: **29/323,282**

(22) Filed: **Aug. 21, 2008**

(51) **LOC (9) Cl.** **14-03**

(52) **U.S. Cl.** **D14/496**

(58) **Field of Classification Search** D14/496,
D14/401, 435, 474, 483, 217, 137, 138, 160,
D14/168, 356; 345/156, 169, 173-179, 905;
715/727-729, 864; 710/1, 5, 8; 713/1, 600;
455/1.1, 1.7, 73, 344-347, 93, 95, 3.01-3.06,
455/550.1, 573.1; 370/342-344; 369/1,
369/2, 6-12; 463/43-47; 273/148 B
See application file for complete search history.

(56) **References Cited**

U.S. PATENT DOCUMENTS

- 6,143,972 A * 11/2000 Ladyjonsky 84/615
- 7,145,070 B2 * 12/2006 Barry 84/723
- D546,349 S * 7/2007 Lee D14/496
- D555,169 S * 11/2007 Shimizu et al. D14/496

- D563,434 S * 3/2008 Dai D14/496
- D567,254 S * 4/2008 Lee D14/496
- D579,953 S * 11/2008 Chen D14/496
- D579,954 S * 11/2008 Gofman et al. D14/496

* cited by examiner

Primary Examiner—Prabhakar Deshmukh
(74) *Attorney, Agent, or Firm*—Anderson, Levine & Lintel, LLP

(57) **CLAIM**

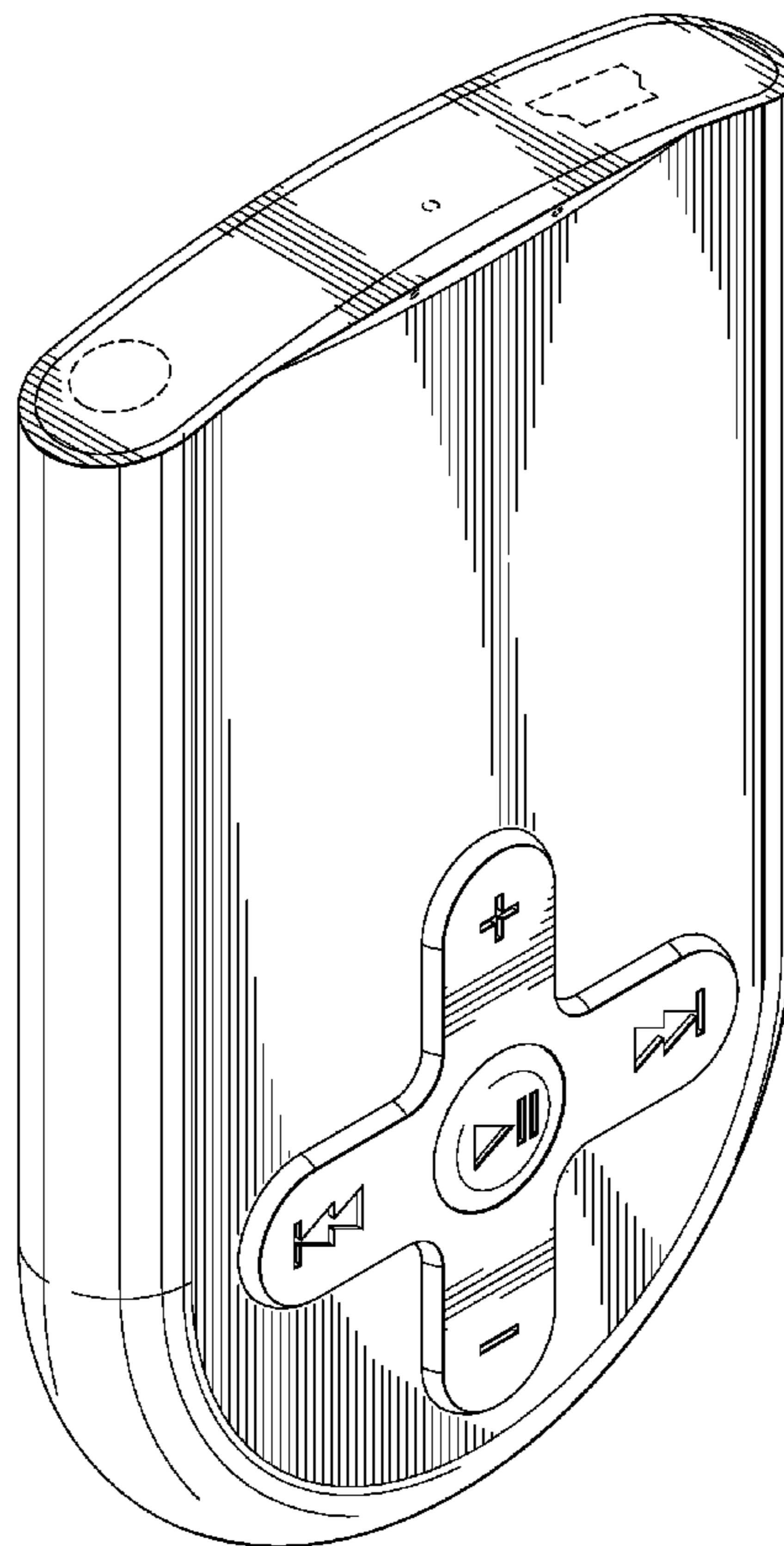
We claim the ornamental design for a digital music player, as shown and described.

DESCRIPTION

- FIG. 1 is a front perspective view of a digital music player showing my new design;
- FIG. 2 is a front view of the digital music player;
- FIG. 3 is a rear view of the digital music player;
- FIG. 4 is a left side view of the digital music player;
- FIG. 5 is a right side view of the digital music player;
- FIG. 6 is a top view thereof; and,
- FIG. 7 is a bottom view thereof.

The broken lines are for illustrative purpose and form no part of the claimed design.

1 Claim, 5 Drawing Sheets



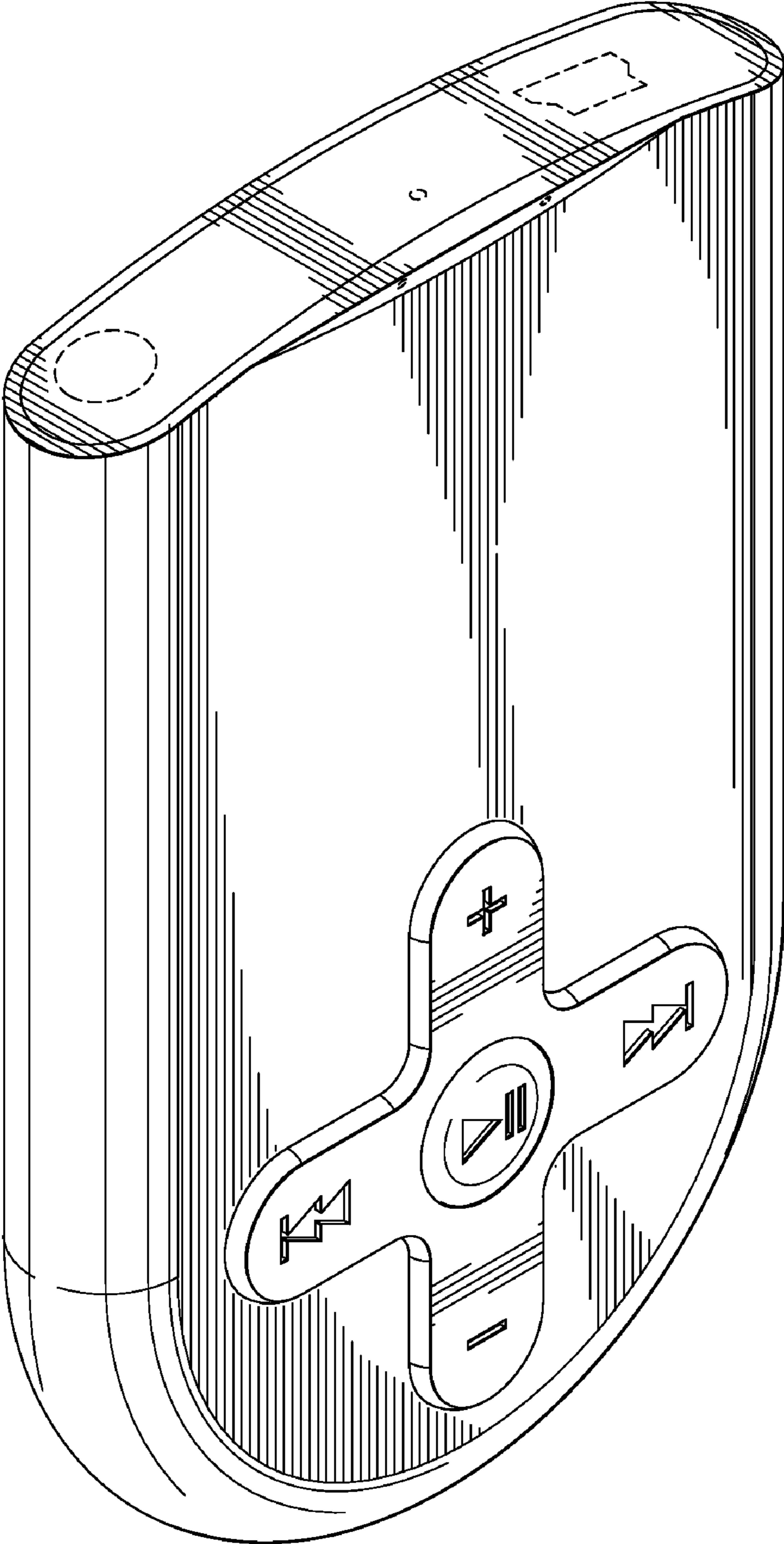


FIG. 1

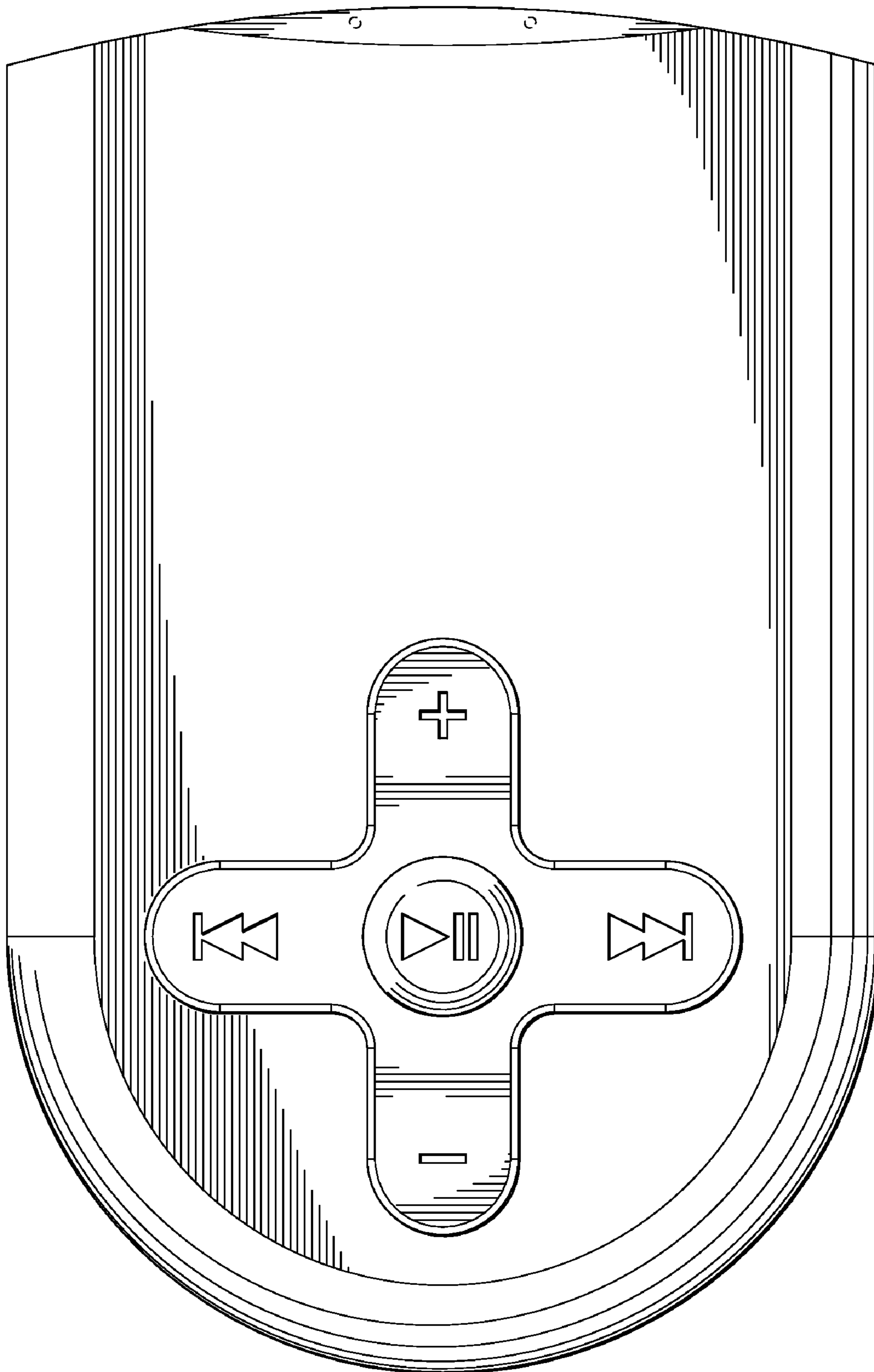


FIG. 2

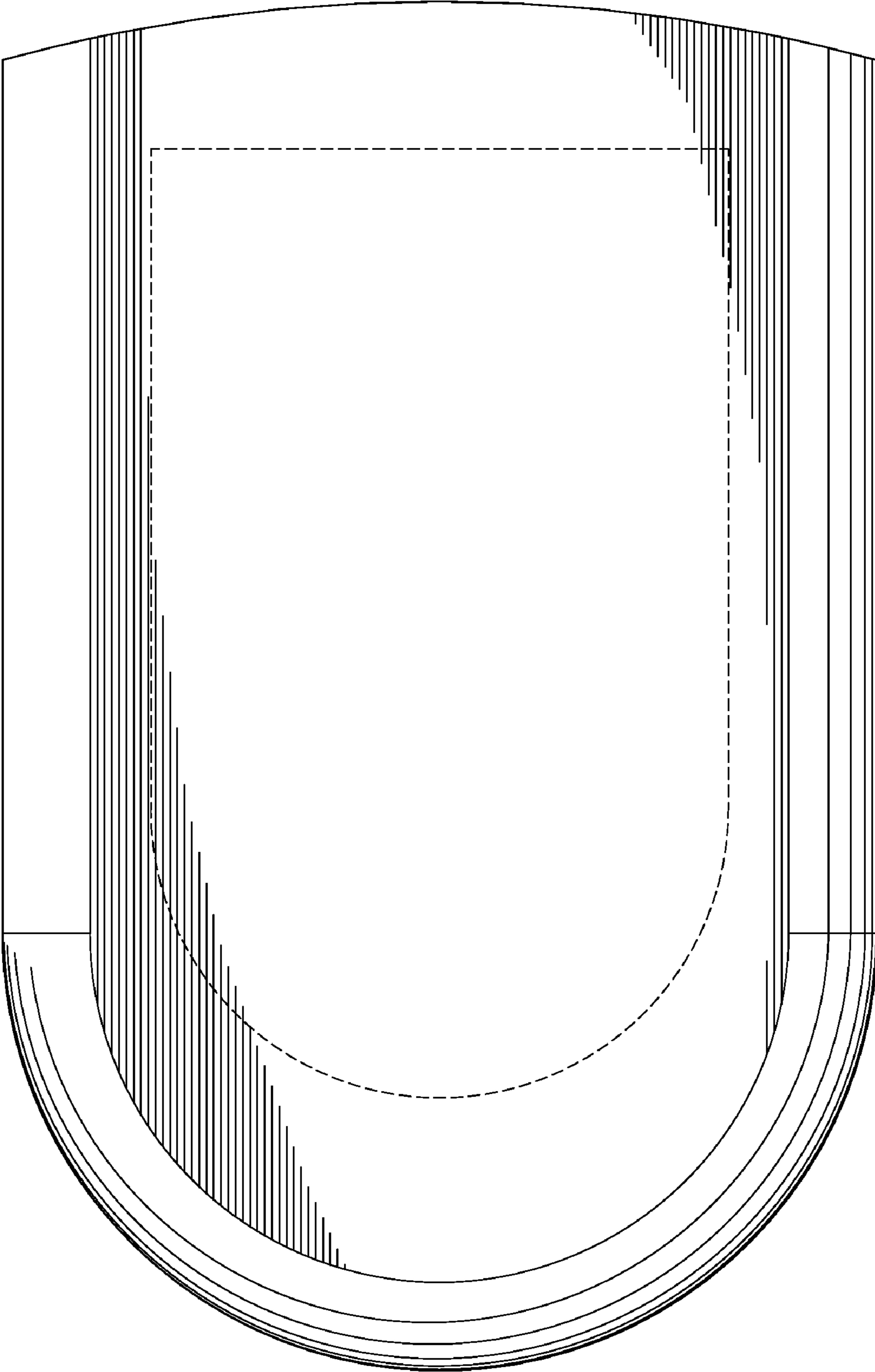


FIG. 3

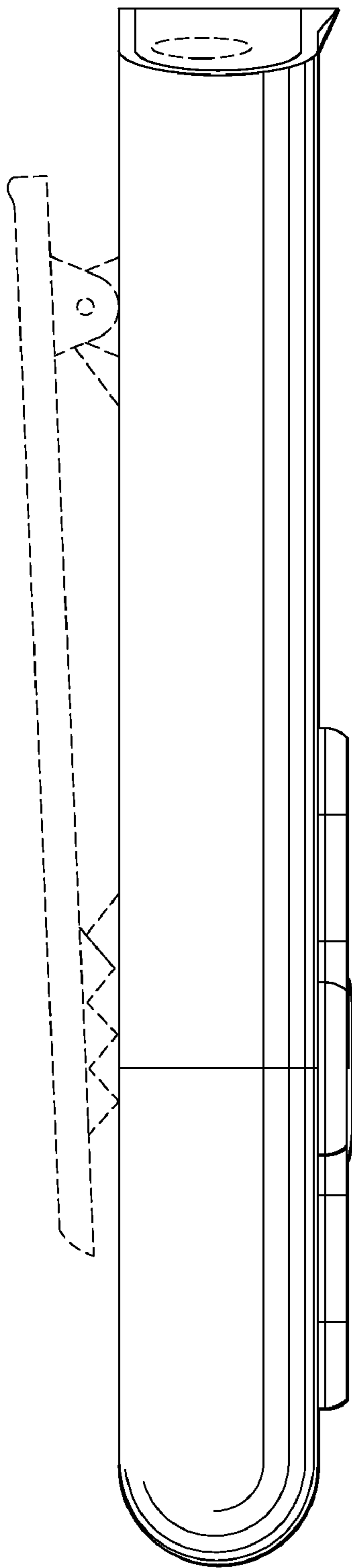


FIG. 4

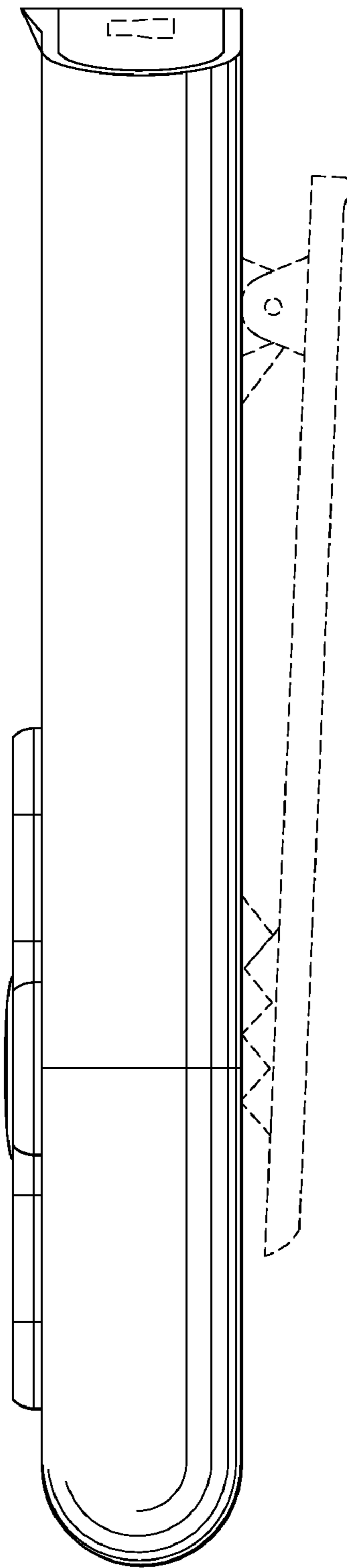


FIG. 5

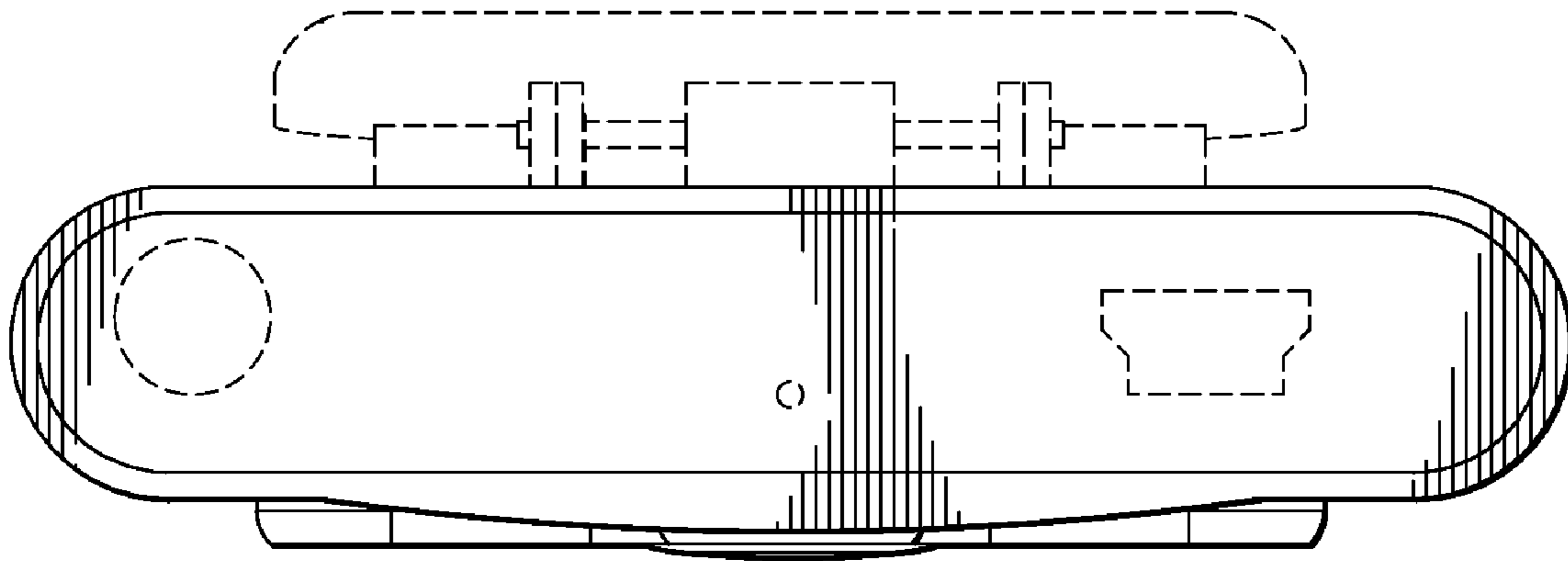


FIG. 6

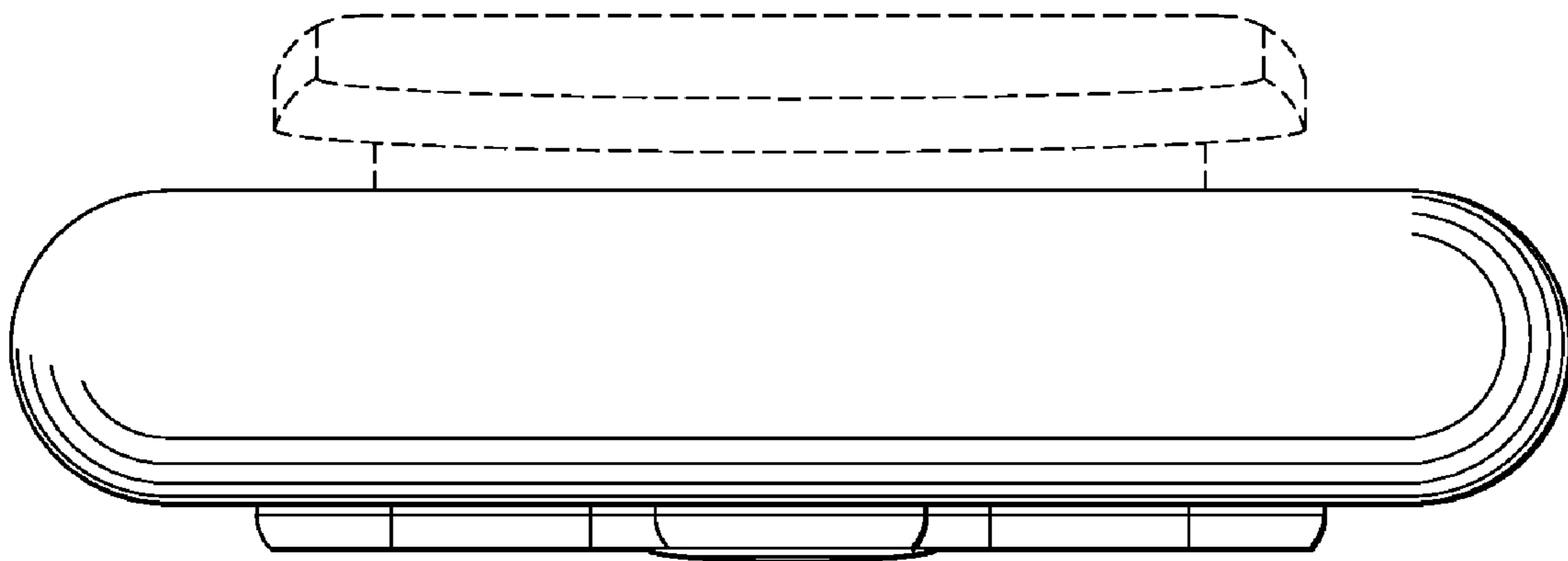


FIG. 7