

US00D595725S

(12) **United States Design Patent**
Zuckerman

(10) **Patent No.:** **US D595,725 S**
(45) **Date of Patent:** **** Jul. 7, 2009**

(54) **LAPTOP COMPUTER WRIST REST**

(76) Inventor: **Michael Zuckerman**, 1477 Bubbling
Creek Rd., Atlanta, GA (US) 30319

(**) Term: **14 Years**

(21) Appl. No.: **29/329,115**

(22) Filed: **Dec. 9, 2008**

(51) **LOC (9) Cl.** **06-06**

(52) **U.S. Cl.** **D14/461**

(58) **Field of Classification Search** D14/457-461,
D14/388, 389; D24/183, 188, 190-192,
D24/206, 207; D6/406.3-406.6, 601; 248/118,
248/346.01, 694; 345/156-167; 361/679,
361/680, 683, 686

See application file for complete search history.

(56) **References Cited**

U.S. PATENT DOCUMENTS

D328,598 S *	8/1992	Massey	D14/461
5,288,042 A *	2/1994	Grimm	248/118
D352,933 S *	11/1994	Vaule	D14/461
D361,992 S *	9/1995	Evenson et al.	D14/461
D370,474 S *	6/1996	Kirchhoff et al.	D14/461
D387,339 S *	12/1997	Hsu	D14/461
D387,745 S *	12/1997	Evans	D14/460
D408,026 S *	4/1999	Hung et al.	D14/461

D430,478 S *	9/2000	De brey et al.	D8/353
D462,253 S *	9/2002	Caveney et al.	D8/353
D521,360 S *	5/2006	Chen	D8/353
D577,362 S *	9/2008	Rutter et al.	D14/461
D582,921 S *	12/2008	Zuckerman	D14/458
D589,519 S *	3/2009	Smith	D14/461
D589,966 S *	4/2009	Zuckerman	D14/461
2001/0054672 A1 *	12/2001	de Beer	248/118

* cited by examiner

Primary Examiner—Cathron C Brooks

Assistant Examiner—Deanna Fluegeman

(74) *Attorney, Agent, or Firm*—Jennifer Meredith, Esq.;
Meredith & Keyhani, PLLC

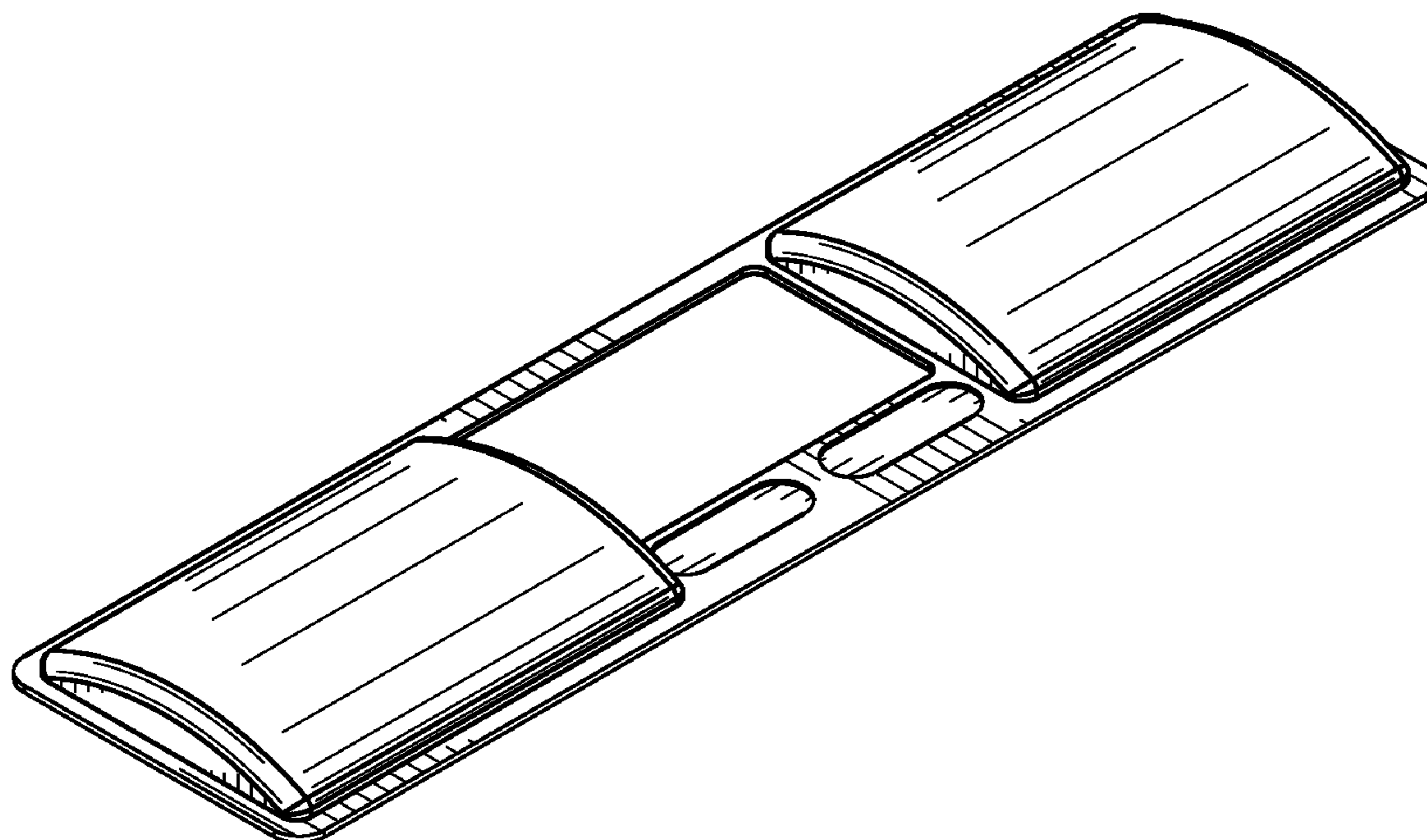
(57) **CLAIM**

The ornamental design for a laptop computer wrist rest, as shown and described.

DESCRIPTION

FIG. 1 is a perspective view of the laptop computer wrist rest;
FIG. 2 is a perspective view of the laptop computer wrist rest;
FIG. 3 is a side view of the laptop computer wrist rest;
FIG. 4 is a top view of the laptop computer wrist rest;
FIG. 5 is a bottom view of the laptop computer wrist rest; and,
FIG. 6 is a side view of the laptop computer wrist rest.

1 Claim, 2 Drawing Sheets



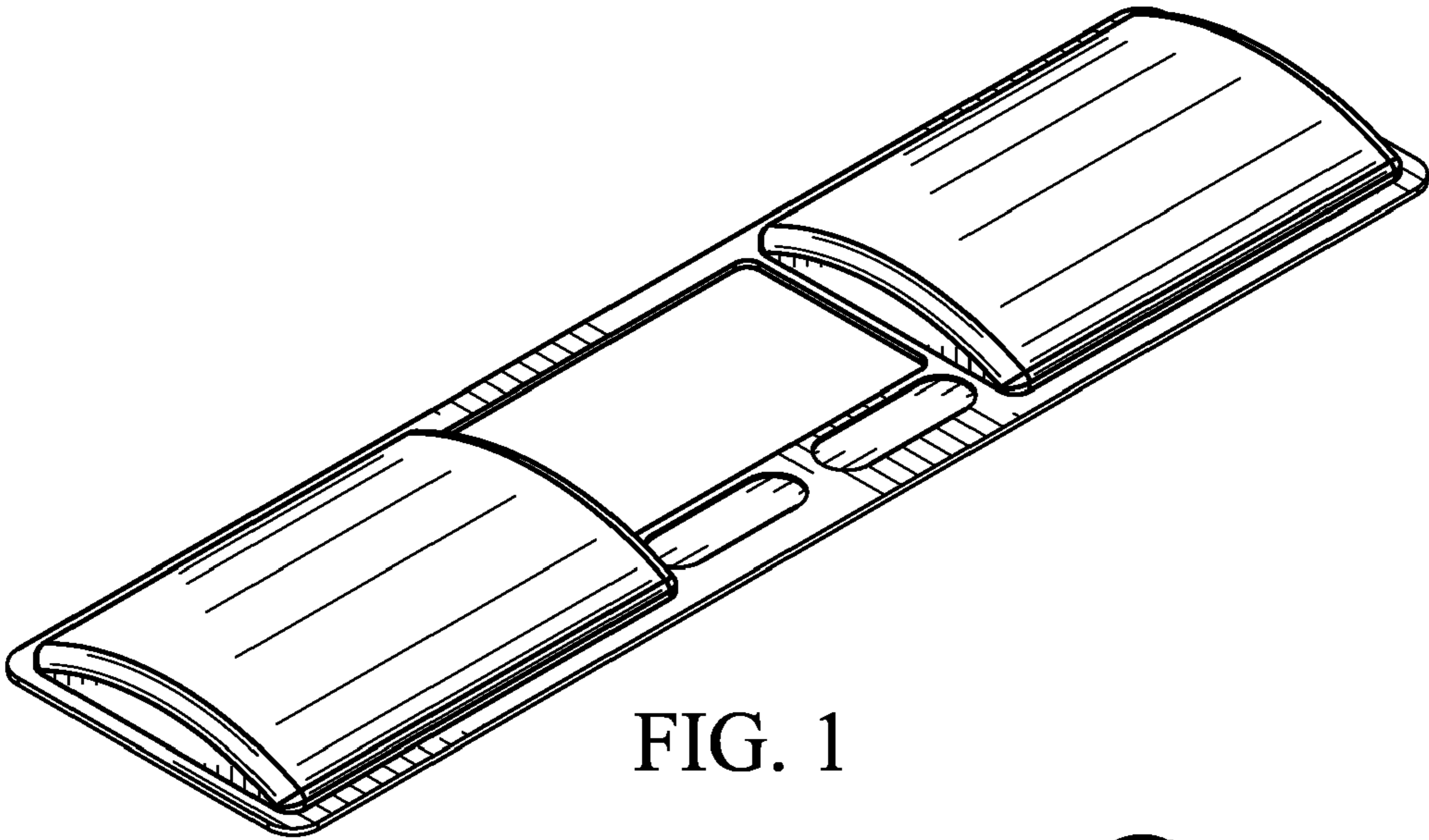


FIG. 1

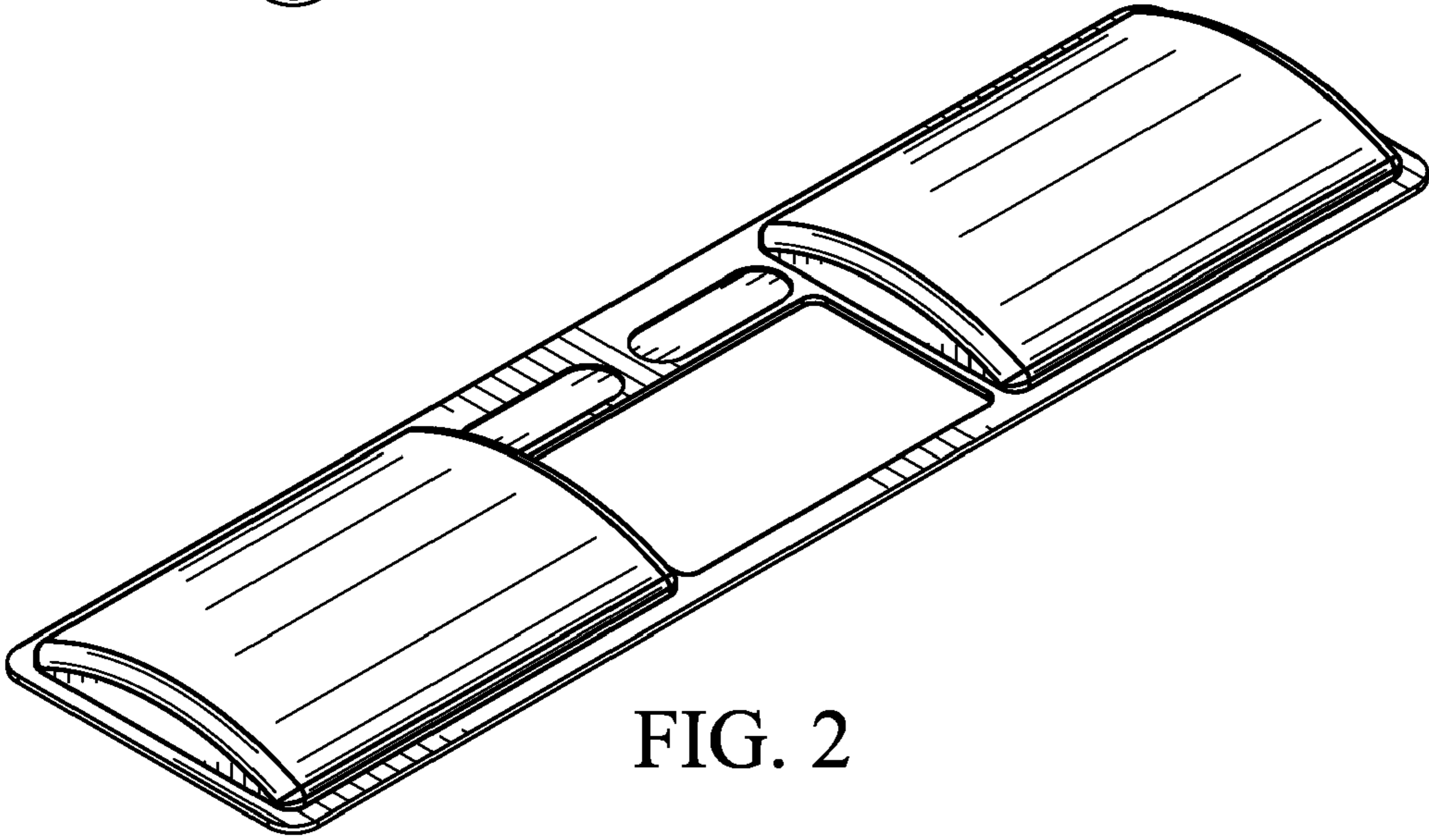


FIG. 2

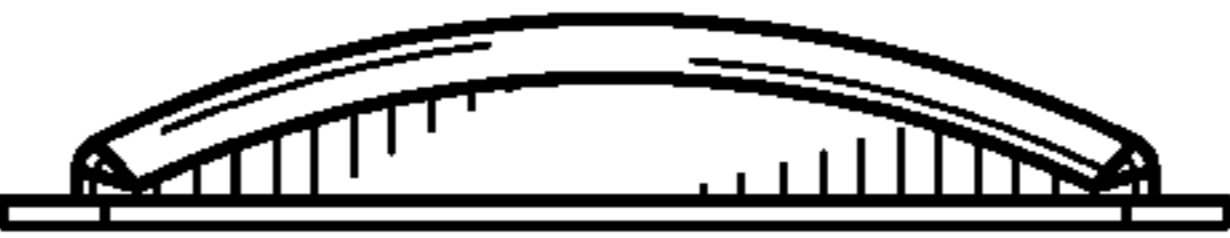


FIG. 3

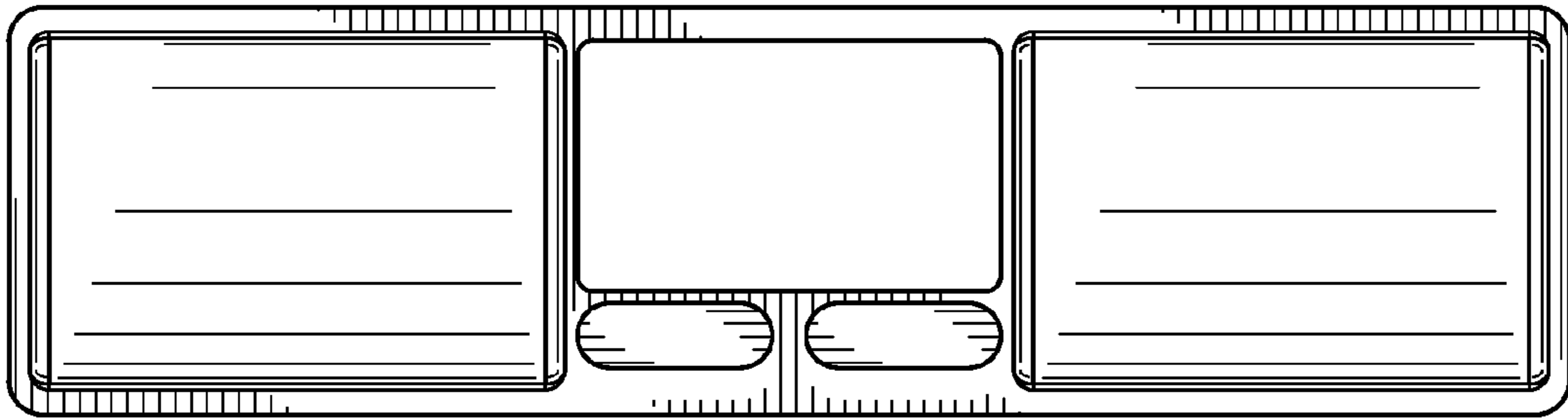


FIG. 4

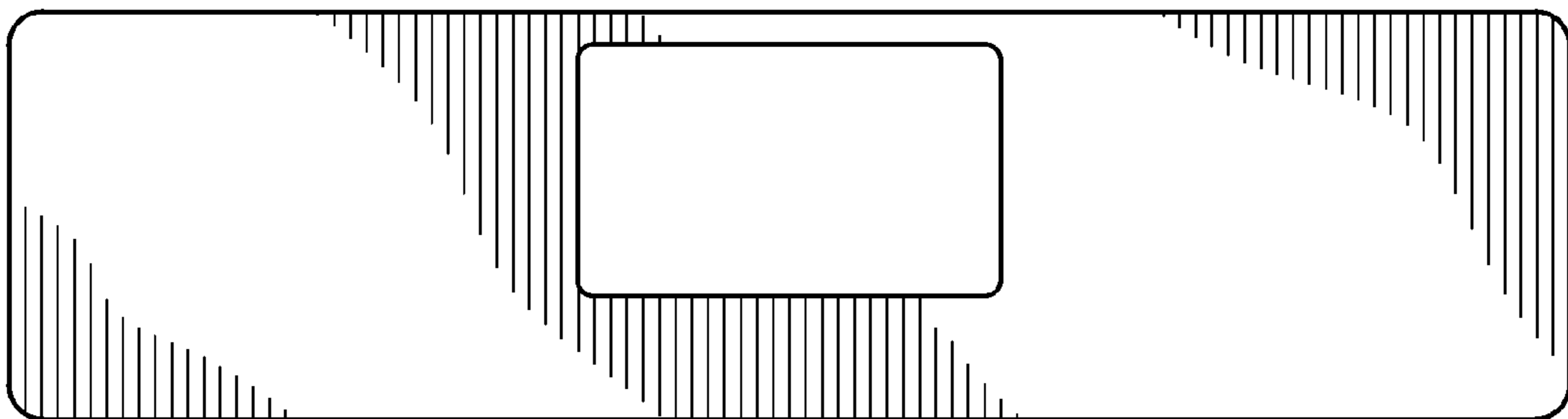


FIG. 5



FIG. 6