

US00D595723S

(12) **United States Design Patent**
Bures et al.

(10) **Patent No.:** **US D595,723 S**
(45) **Date of Patent:** **** Jul. 7, 2009**

(54) **PIVOT ARM ASSEMBLY FOR MOUNTING AN ELECTRONIC DISPLAY**

FOREIGN PATENT DOCUMENTS

JP 56-108393 A 8/1981

(75) Inventors: **Joe Bures**, Columbia Heights, MN (US);
Nick Stanek, Roseville, MN (US);
Dominic Grey, Blaine, MN (US)

OTHER PUBLICATIONS

U.S. Appl. No. 29/299,828, filed Jan. 4, 2008, Russell et al.

(73) Assignee: **Milestone AV Technologies LLC**,
Savage, MN (US)

(Continued)

(**) Term: **14 Years**

Primary Examiner—Jennifer Rivard

Assistant Examiner—Angela J Lee

(21) Appl. No.: **29/297,406**

(74) *Attorney, Agent, or Firm*—Patterson, Thuente, Skaar & Christensen, PA

(22) Filed: **Nov. 9, 2007**

(51) **LOC (9) Cl.** **08-07**

(57) **CLAIM**

(52) **U.S. Cl.** **D14/451**

The ornamental design for a pivot arm assembly for mounting an electronic display, as shown and described.

(58) **Field of Classification Search** D14/447,
D14/451, 452, 328, 336, 356, 371, 374, 375,
D14/376, 432, 434, 439, 448, 454, 457, 239,
D14/251, 252, 341, 224, 253, 316, 129, 209,
D14/217, 237, 238, 458, 459, 460, 461; D10/65;
D6/444, 513, 396, 419, 420, 473, 474, 512;
D8/349, 355, 363, 373, 380, 354, 356; D19/92,
D19/95; D23/370, 387; 248/176.1, 220.21,
248/223.31, 274.1, 276.1, 281.11, 284.1,
248/286.1, 309.1, 316.1, 323, 324, 346.3,
248/349.1, 371, 398, 917, 918, 919, 920,
248/921, 922, 923, 205.5, 121, 124.1, 127,
248/177.1, 201, 205.1, 291.1, 313, 346.01,
248/346.03, 415; D12/415; 312/223.3; 348/825,
348/836; 379/446, 454; 361/681, 683, 687,
361/695

DESCRIPTION

See application file for complete search history.

FIG. 1 is a rear perspective view of a pivot arm assembly for mounting an electronic display according to the invention;

FIG. 2 is a bottom plan view of the pivot arm assembly for mounting an electronic display depicted in FIG. 1;

FIG. 3 is a top plan view of the pivot arm assembly for mounting an electronic display depicted in FIG. 1;

FIG. 4 is a side elevation view of the pivot arm assembly for mounting an electronic display depicted in FIG. 1;

FIG. 5 is an opposing side elevation view of the pivot arm assembly for mounting an electronic display depicted in FIG. 1;

FIG. 6 is a front elevation view of the pivot arm assembly for mounting an electronic display depicted in FIG. 1, with broken lines omitted for clarity of illustration; and,

FIG. 7 is a rear elevation view of the pivot arm assembly for mounting an electronic display depicted in FIG. 1.

The broken line showing of portions of a tiltable mounting head is included for the purpose of illustrating environment and forms no part of the claimed design.

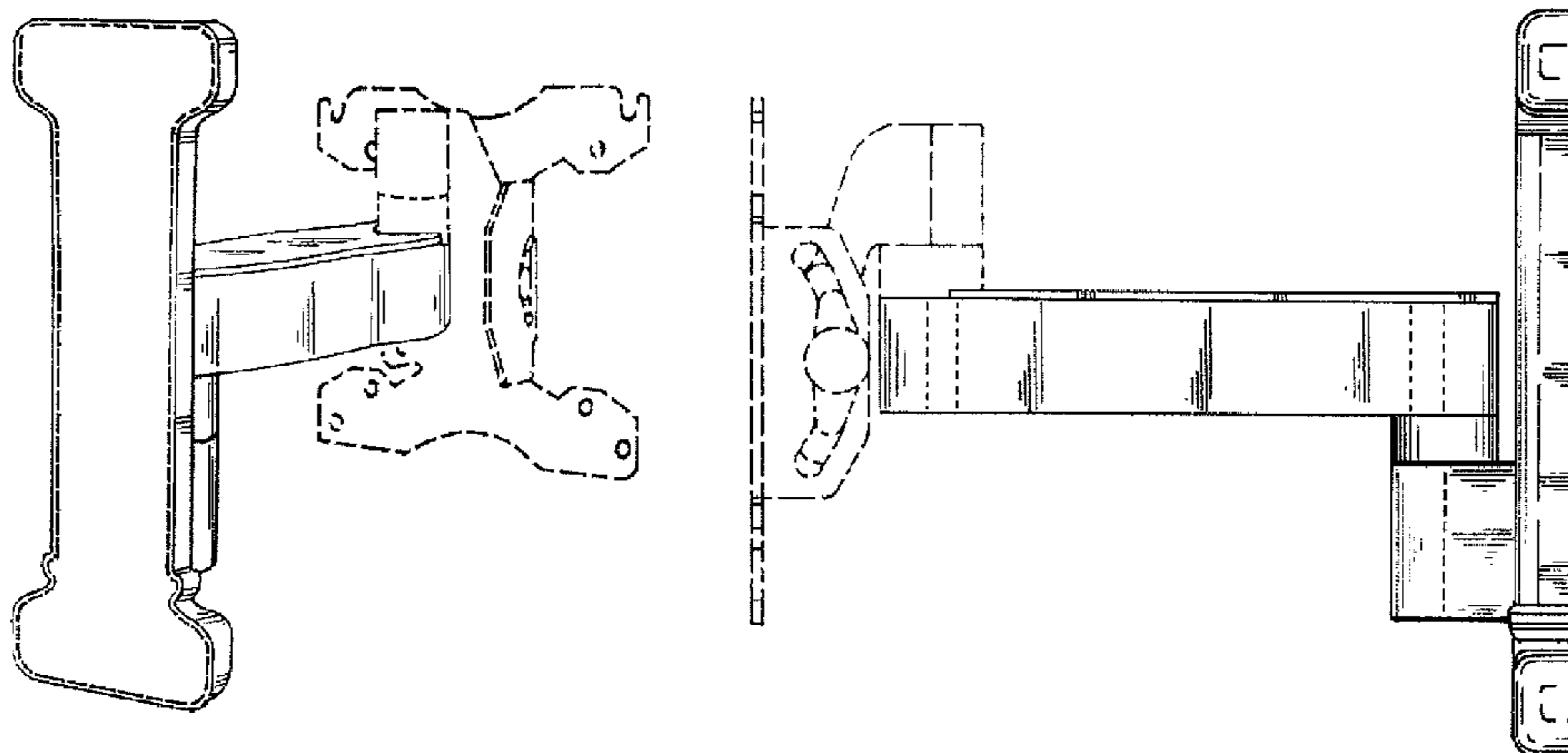
(56) **References Cited**

U.S. PATENT DOCUMENTS

2,986,395 A	5/1961	Sheftel
3,409,315 A	11/1968	Wichers et al.
3,601,598 A	8/1971	Horn
4,516,751 A	5/1985	Westbrook
4,720,198 A	1/1988	DeBruyn
4,877,164 A	10/1989	Baucom

(Continued)

1 Claim, 3 Drawing Sheets



US D595,723 S

Page 2

U.S. PATENT DOCUMENTS

4,882,959	A	11/1989	Sakai	6,565,056	B2	5/2003	Lin
4,989,813	A	2/1991	Kim et al.	D477,606	S	7/2003	Theis et al.
5,075,929	A	12/1991	Chung	6,592,090	B1	7/2003	Li
5,306,093	A	4/1994	Elbert	6,604,722	B1	8/2003	Tan
5,312,199	A	5/1994	Smith, Jr.	6,619,606	B2	9/2003	Oddsens, Jr. et al.
5,333,356	A	8/1994	Katagiri	6,663,064	B1	12/2003	Minelli et al.
5,363,200	A	11/1994	Frohback et al.	6,672,553	B1	1/2004	Lin
5,388,308	A	2/1995	Meeuwissen	D488,708	S *	4/2004	Lam et al. D8/363
D357,922	S	5/1995	Nysether et al.	6,724,509	B2	4/2004	Lee
5,429,336	A	7/1995	Ko	D493,800	S	8/2004	Pfister et al.
5,715,576	A	2/1998	Liu	D494,596	S	8/2004	Pfister
5,751,548	A	5/1998	Hall et al.	D495,713	S	9/2004	Pfister et al.
D400,085	S	10/1998	Haskin	D495,714	S	9/2004	Pfister
5,820,253	A	10/1998	Scholz	D496,367	S	9/2004	Pfister
5,842,672	A	12/1998	Sweere et al.	6,812,669	B2	11/2004	Hagen
D406,228	S	3/1999	Vogels	D506,205	S *	6/2005	Boele D14/452
D412,167	S	7/1999	Rosen	D507,477	S	7/2005	Pfister
5,918,841	A	7/1999	Sweere et al.	D534,789	S *	1/2007	Worrall et al. D8/363
5,947,429	A	9/1999	Sweere et al.	D537,324	S *	2/2007	Worrall et al. D8/363
5,992,809	A	11/1999	Sweere et al.	D557,126	S *	12/2007	Worrall et al. D8/380
6,012,693	A	1/2000	Voeller et al.	D558,560	S *	1/2008	Ciungan D8/363
6,015,120	A	1/2000	Sweere et al.	D558,562	S *	1/2008	Ciungan et al. D8/363
6,042,068	A	3/2000	Tcherny	D561,748	S *	2/2008	Sculler et al. D14/239
6,068,227	A	5/2000	Morgan et al.	D562,113	S *	2/2008	Ciungan et al. D8/363
6,102,348	A	8/2000	O'Neill	D563,774	S *	3/2008	Wohlford et al. D8/363
6,116,806	A	9/2000	Chang	D565,938	S *	4/2008	Massoumi et al. D8/363
6,126,128	A	10/2000	Costa et al.	2002/0011544	A1	1/2002	Bosson
6,146,045	A	11/2000	Maughan	2003/0075653	A1	4/2003	Li
D435,852	S	1/2001	Oddsens, Jr.	2003/0136888	A1	7/2003	Boele
D440,863	S	4/2001	Worrall	2003/0154673	A1	8/2003	MacGregor et al.
6,271,514	B1	8/2001	Thomas et al.	2003/0201372	A1	10/2003	Dozier
6,299,259	B1	10/2001	MacKarvich	2003/0227739	A1	12/2003	Kim et al.
6,308,377	B1	10/2001	Maatta	2004/0011932	A1	1/2004	Duff
6,367,756	B1	4/2002	Wang	2004/0011938	A1	1/2004	Oddsens, Jr.
6,378,830	B1	4/2002	Lu				
6,381,808	B1	5/2002	Kida				
6,394,403	B1	5/2002	Hung				
6,402,109	B1	6/2002	Dittmar				
6,409,134	B1	6/2002	Oddsens, Jr.				
D460,078	S	7/2002	Li				
6,517,040	B1	2/2003	Wen				
6,554,238	B1	4/2003	Hibberd				

OTHER PUBLICATIONS

U.S. Appl. No. 29/299,829, filed Jan. 4, 2008, Russell et al.
 U.S. Appl. No. 60/438,965, filed Jan. 9, 2003, Pfister.
 U.S. Appl. No. 60/950,244, filed Jul. 17, 2007, Pfister et al.
 U.S. Appl. No. 60/986,869, filed Nov. 9, 2007, Bremmon et al.
 U.S. Appl. No. 29/297,409, filed Nov. 9, 2007, Bures.

* cited by examiner

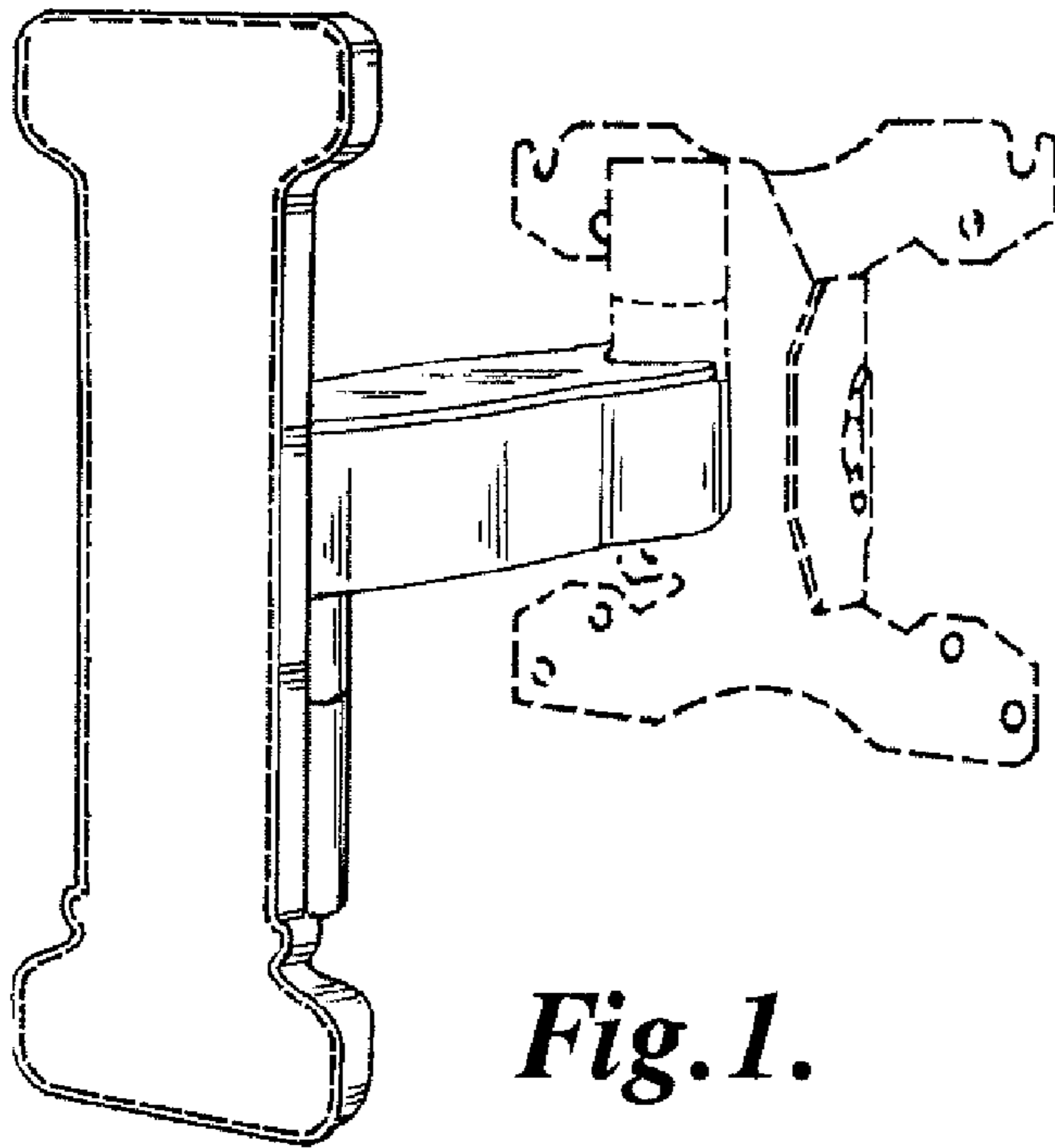


Fig. 1.

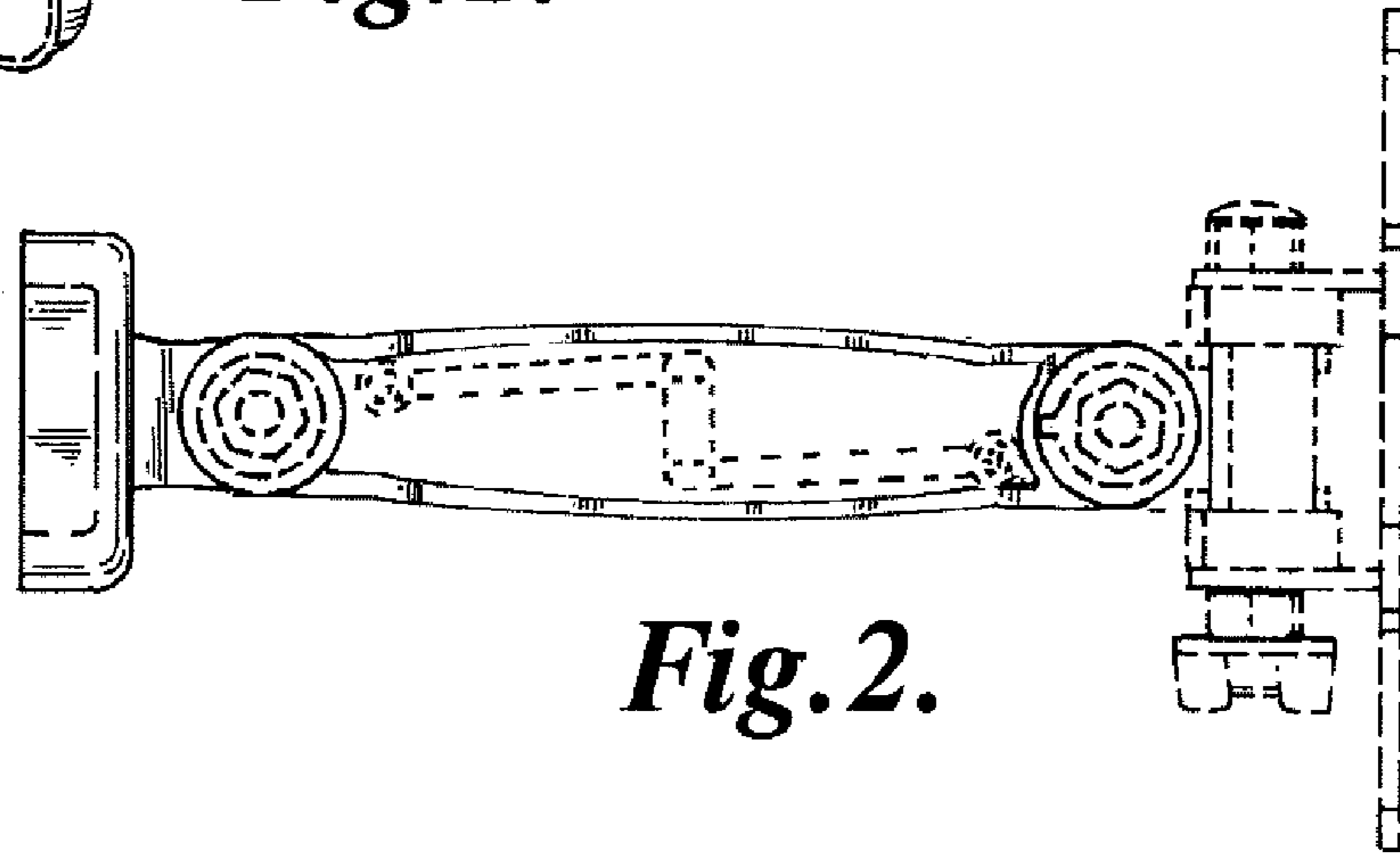


Fig. 2.

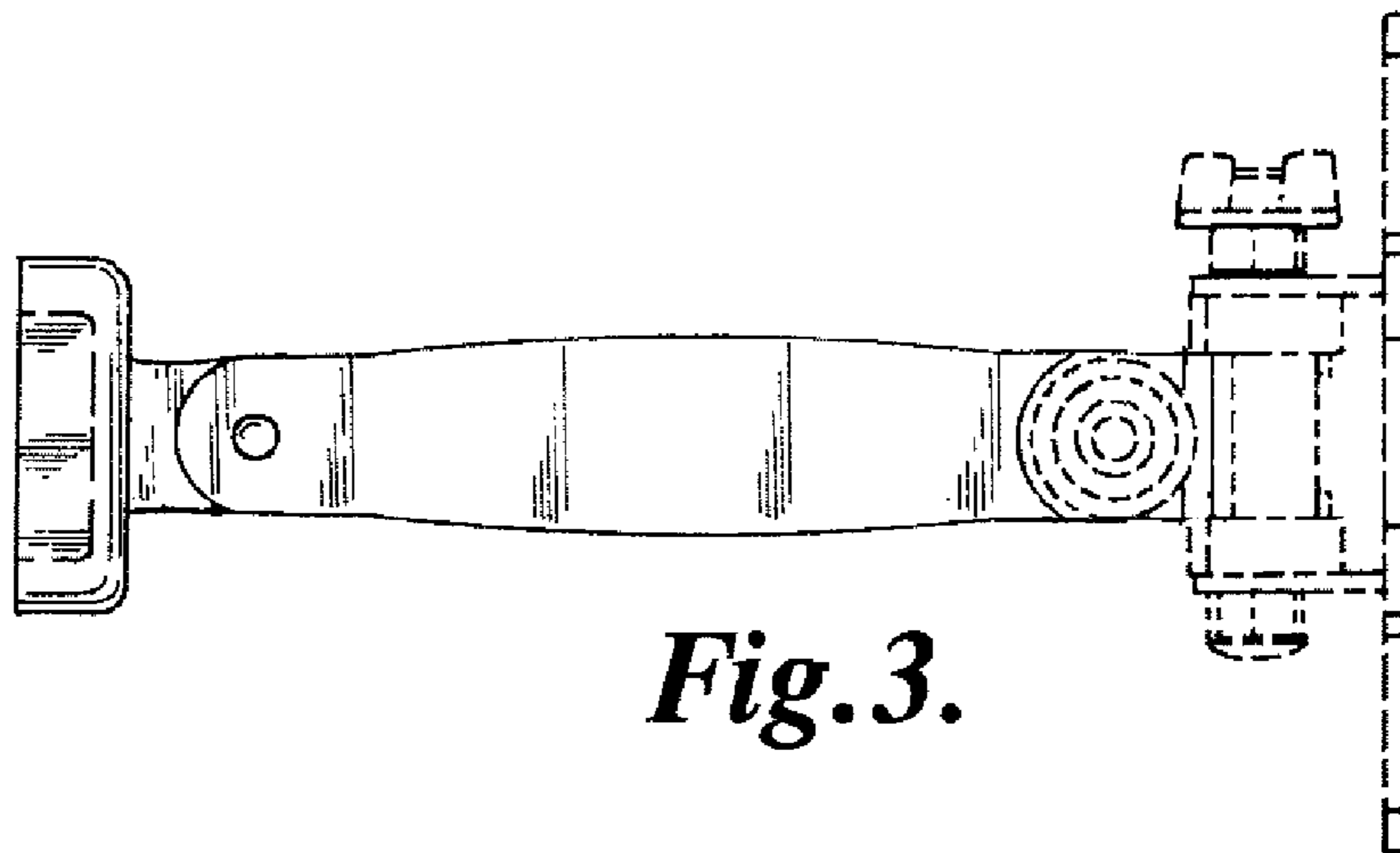


Fig. 3.

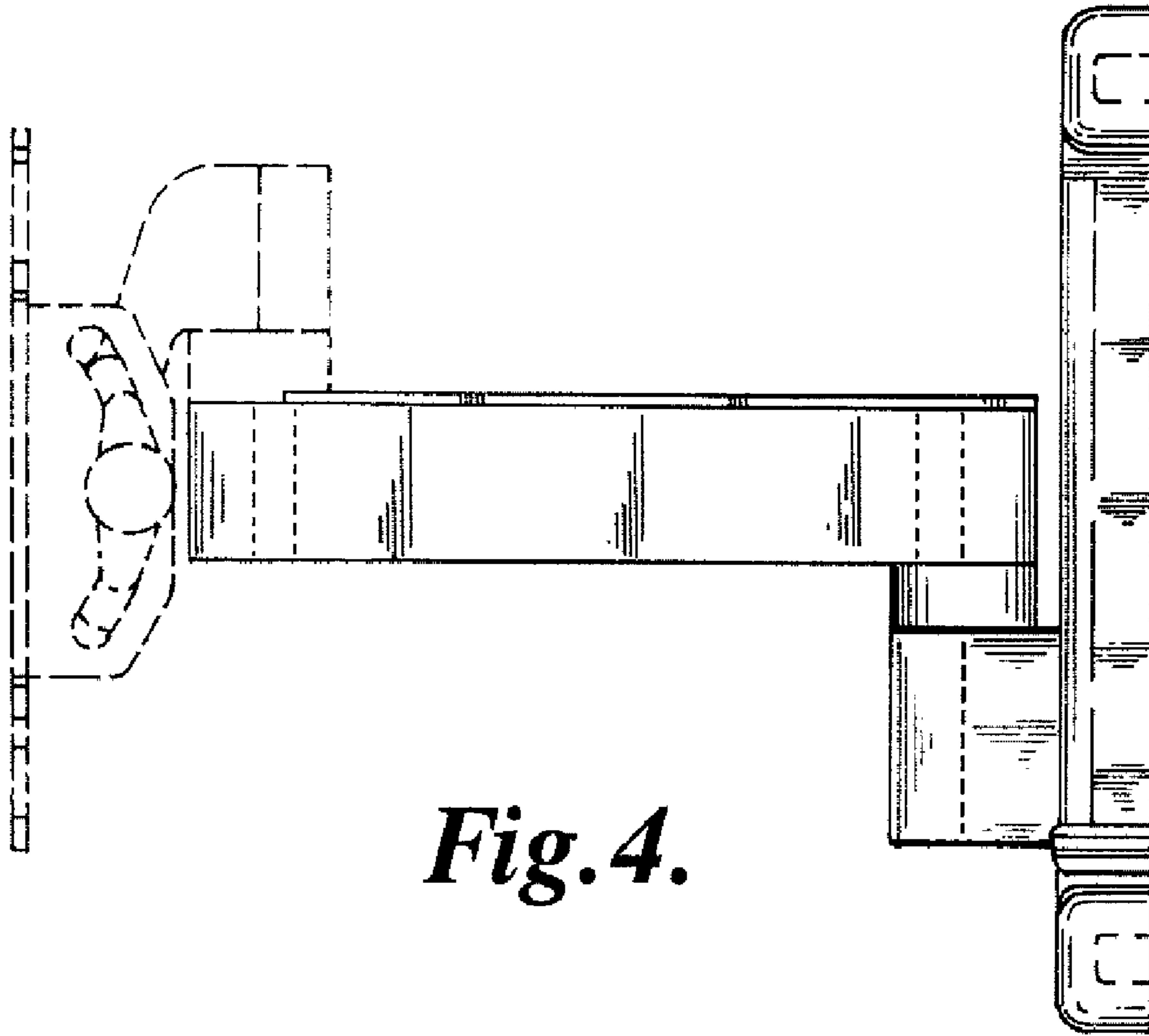


Fig. 4.

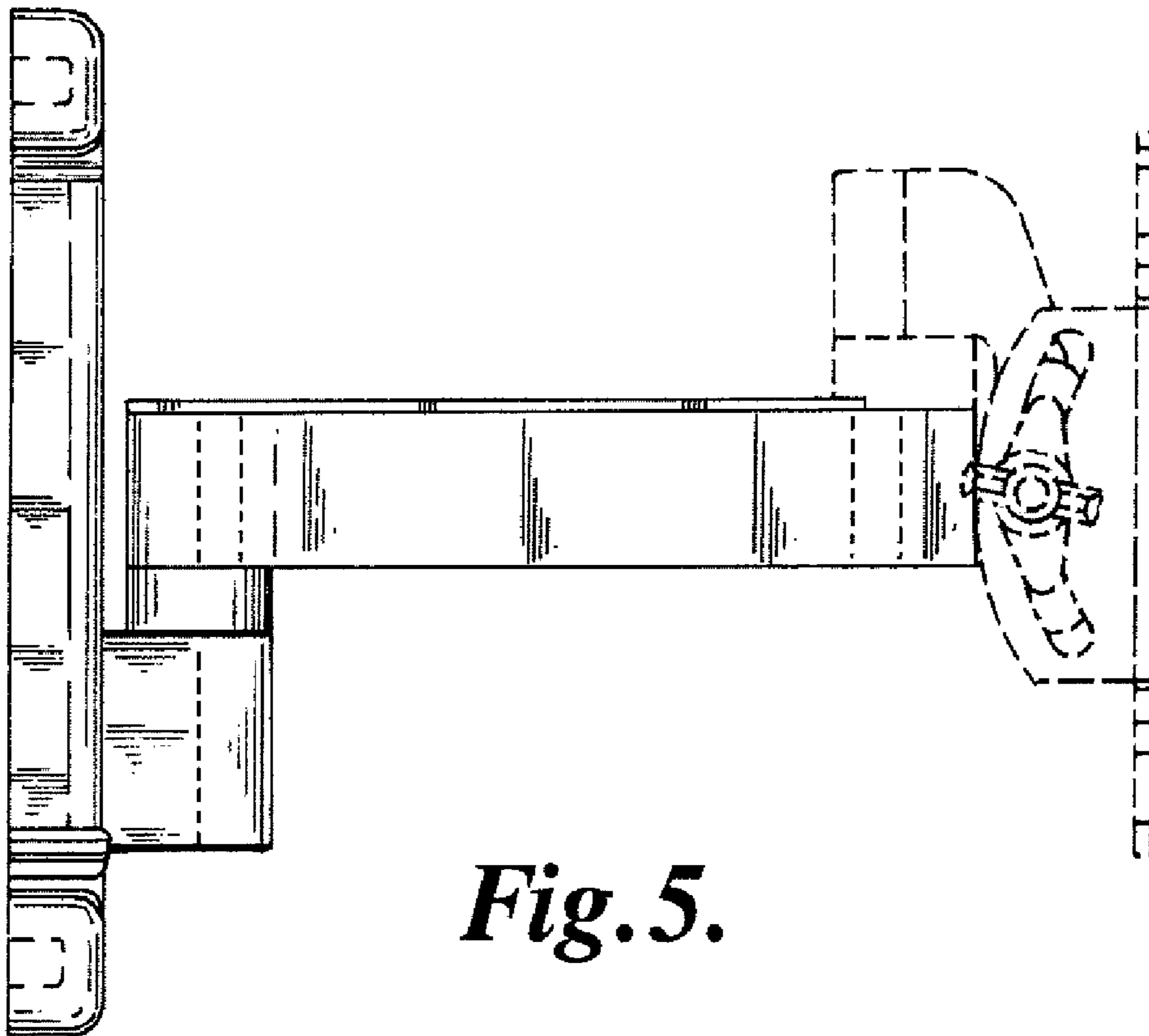


Fig. 5.

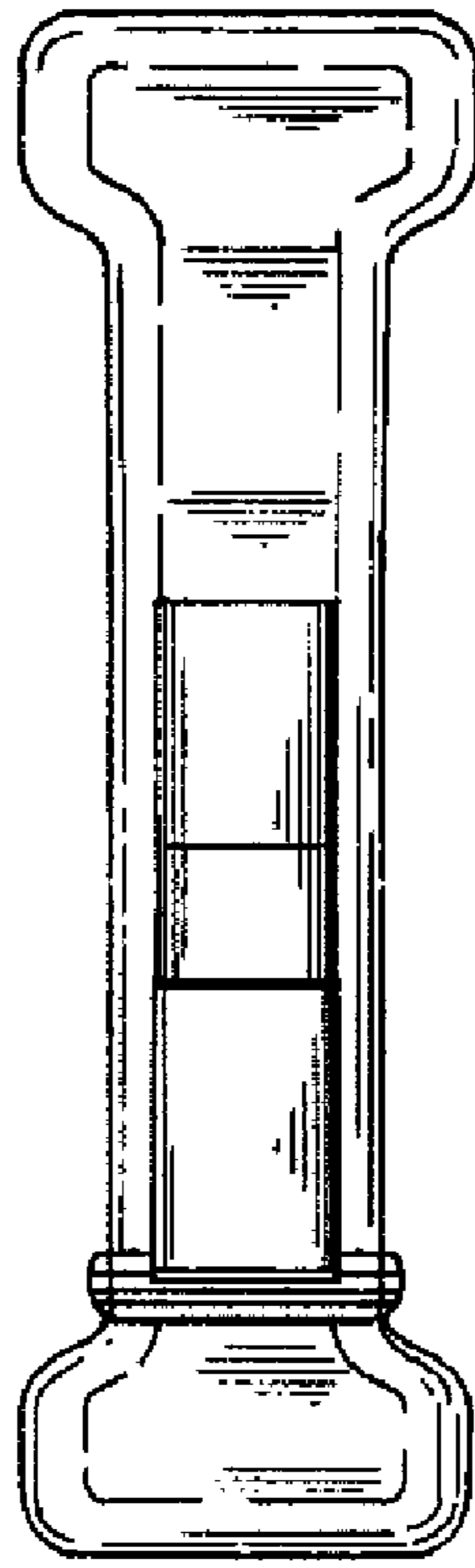


Fig. 6.

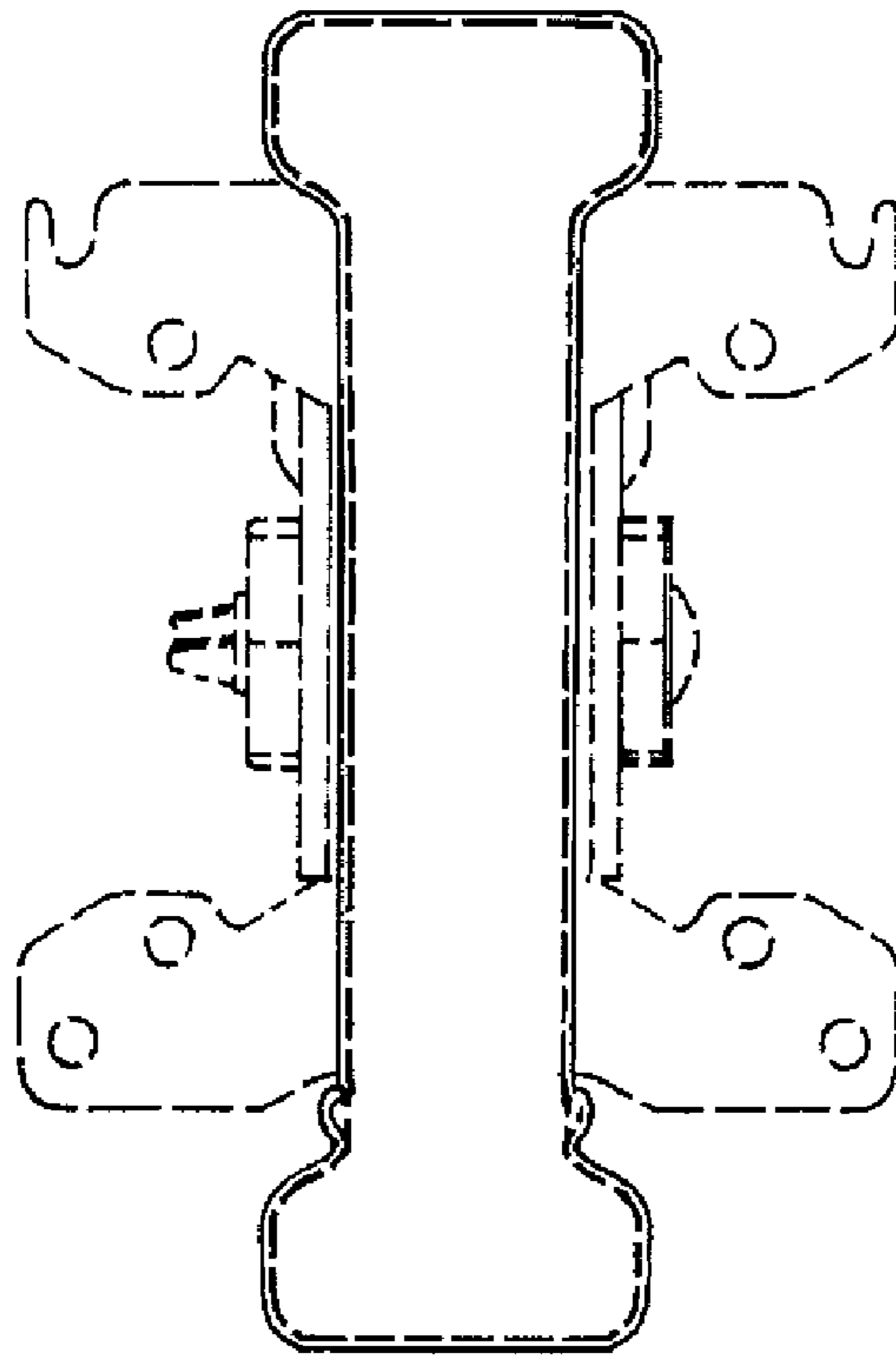


Fig. 7.