



US00D595722S

(12) **United States Design Patent**
Miyawaki

(10) **Patent No.:** **US D595,722 S**
(45) **Date of Patent:** **** Jul. 7, 2009**

(54) **SUPPORT FOR HANDHELD COMPUTER**

(75) Inventor: **Masayuki Miyawaki**, Chigasaki (JP)

(73) Assignee: **Clarion Co., Ltd.**, Tokyo (JP)

(**) Term: **14 Years**

(21) Appl. No.: **29/309,278**

(22) Filed: **Jul. 17, 2008**

(51) **LOC (9) Cl.** **08-07**

(52) **U.S. Cl.** **D14/447; D14/253**

(58) **Field of Classification Search** D14/447,
D14/448, 451, 452, 457, 459, 460, 461, 239,
D14/251, 253, 224.1, 125, 126, 432, 434,
D14/439, 371-382; D8/354, 363, 373, 380;
D19/90, 91; D18/4.4, 4.5, 4.6, 12; D6/300,
D6/310, 312, 313, 314, 449, 512; D13/139.5,
D13/108; D21/333; D10/74; D12/415;
248/917-924, 675, 676, 678, 447, 122.1,
248/176.1, 176.3, 205.5, 205.8, 324; 312/323.3;
379/446, 454, 455; 361/679.02, 679.06,
361/679.07, 679.21, 679.22, 679.24, 679.26,
361/679.3, 679.46, 679.49, 679.55, 679.56,
361/679.58, 679.6, 693, 697, 809, 810, 825,
361/827; D16/242

See application file for complete search history.

(56) **References Cited**

U.S. PATENT DOCUMENTS

D388,795 S * 1/1998 Richter D14/253
D420,989 S * 2/2000 Sandhu et al. D14/447
6,644,611 B1 * 11/2003 Tai 248/292.13
D487,897 S * 3/2004 Huang et al. D14/434
D536,011 S * 1/2007 Dayan D16/208

D536,012 S * 1/2007 Dayan D16/208
D536,016 S * 1/2007 Dayan D16/242
D536,360 S * 2/2007 Dayan D16/242
D546,760 S * 7/2007 Aguilar D13/108
D557,207 S * 12/2007 Aguilar D13/108
7,467,775 B2 * 12/2008 Lu et al. 248/663
D590,184 S * 4/2009 Barabas et al. D6/466
2007/0138358 A1 * 6/2007 Chang 248/205.5

* cited by examiner

Primary Examiner—Jennifer Rivard

Assistant Examiner—Angela J Lee

(74) *Attorney, Agent, or Firm*—Oliff & Berridge, PLC

(57) **CLAIM**

The ornamental design for a support for handheld computer, as shown and described.

DESCRIPTION

FIG. 1 is a front perspective view of a support for a handheld computer;

FIG. 2 is a rear perspective view thereof;

FIG. 3 is a front view thereof;

FIG. 4 is a rear view thereof;

FIG. 5 is a left side view thereof;

FIG. 6 is a right side view thereof;

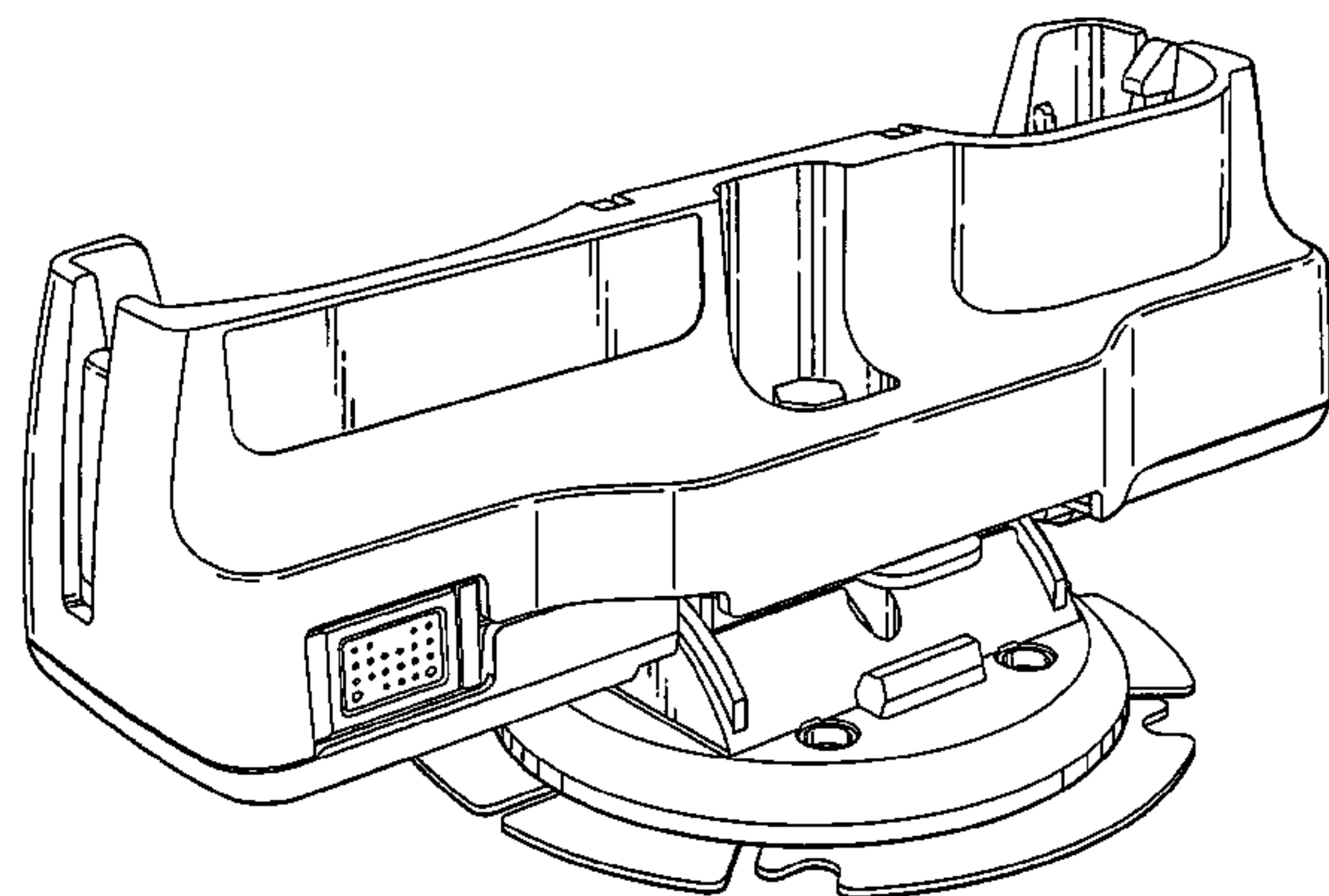
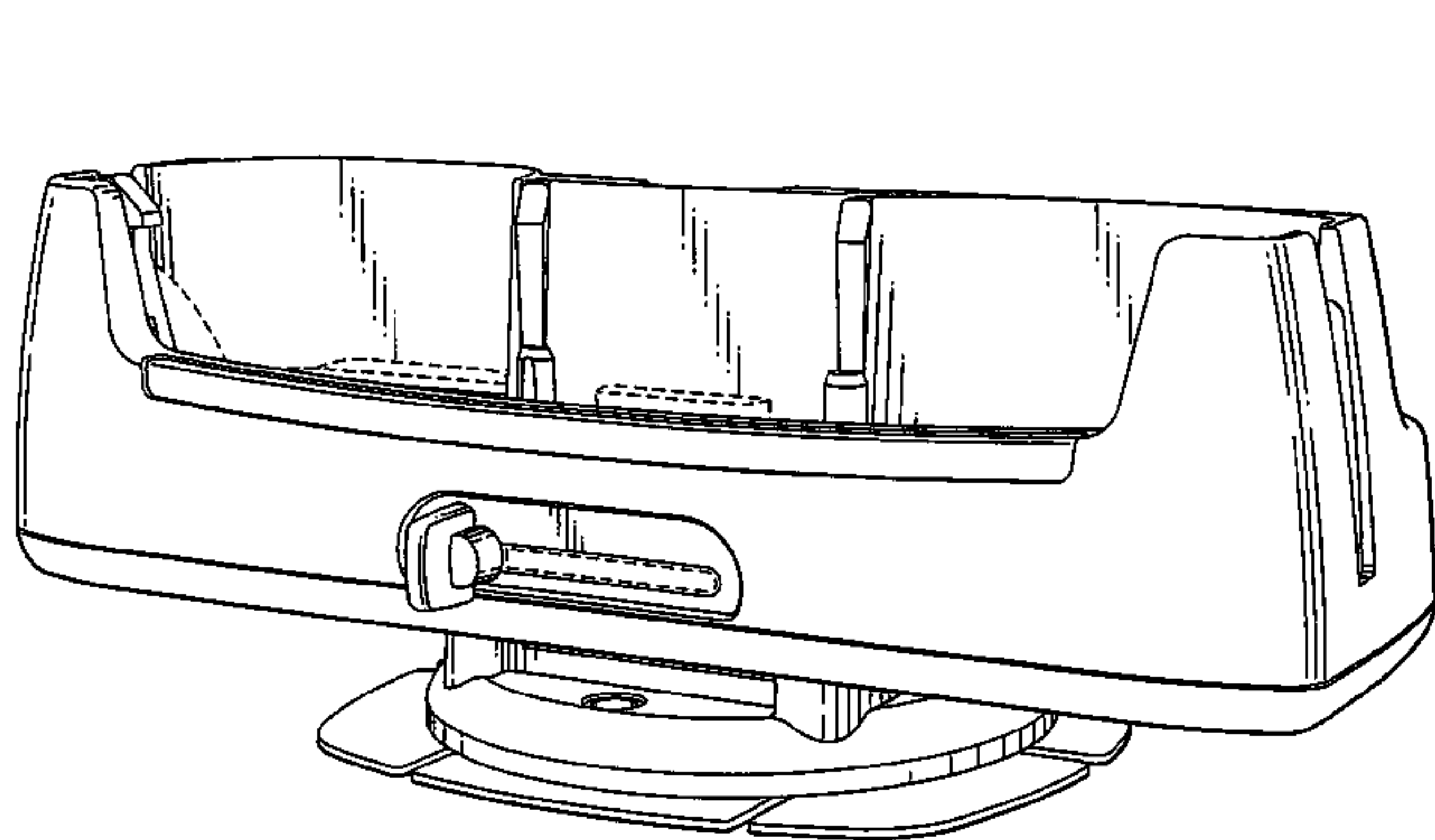
FIG. 7 is a top view thereof;

FIG. 8 is a bottom view thereof; and,

FIG. 9 is a front perspective view similar to FIG. 1 and illustrating a handheld computer within the support.

The broken lines depict environmental subject matter only and form no part of the claimed design.

1 Claim, 5 Drawing Sheets



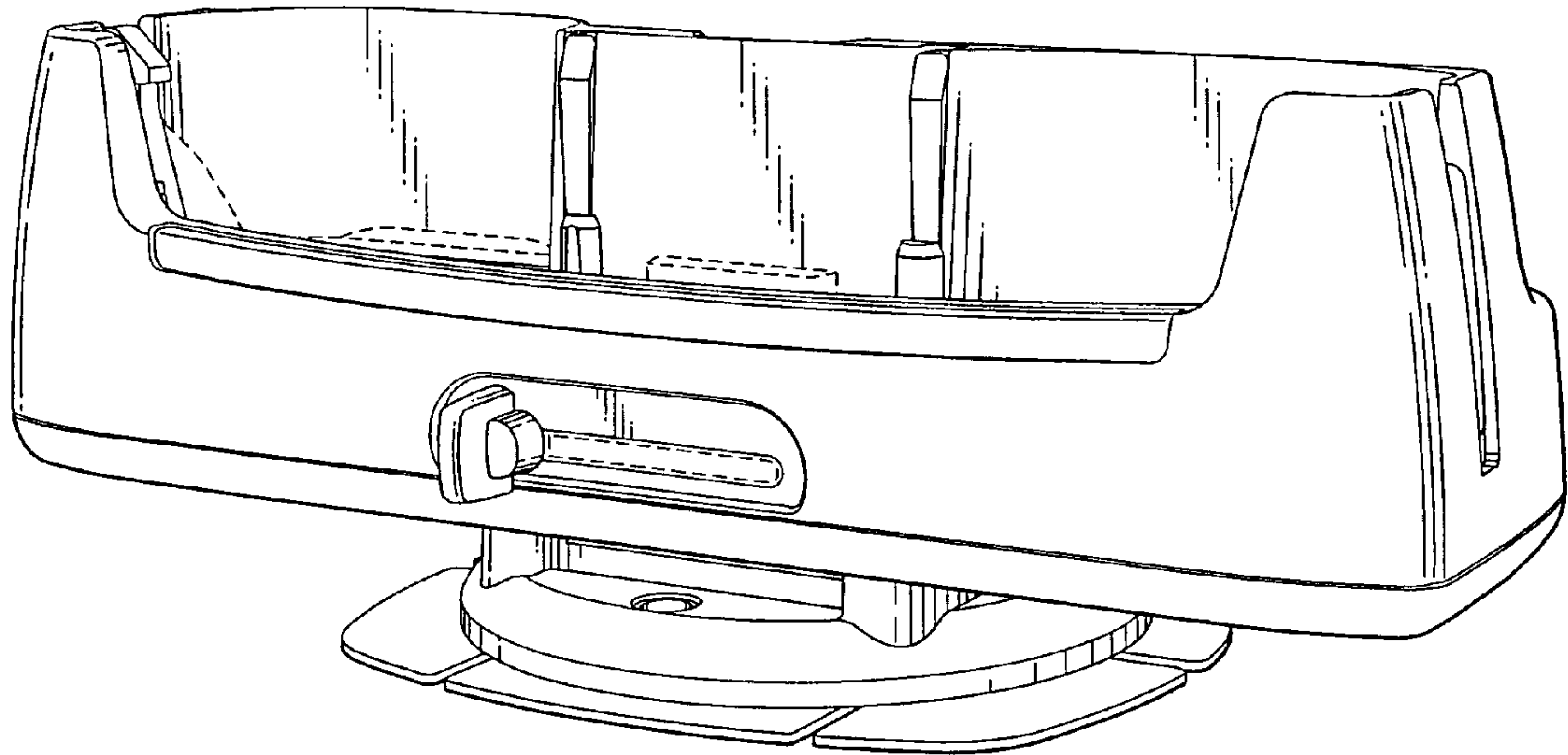


FIG. 1

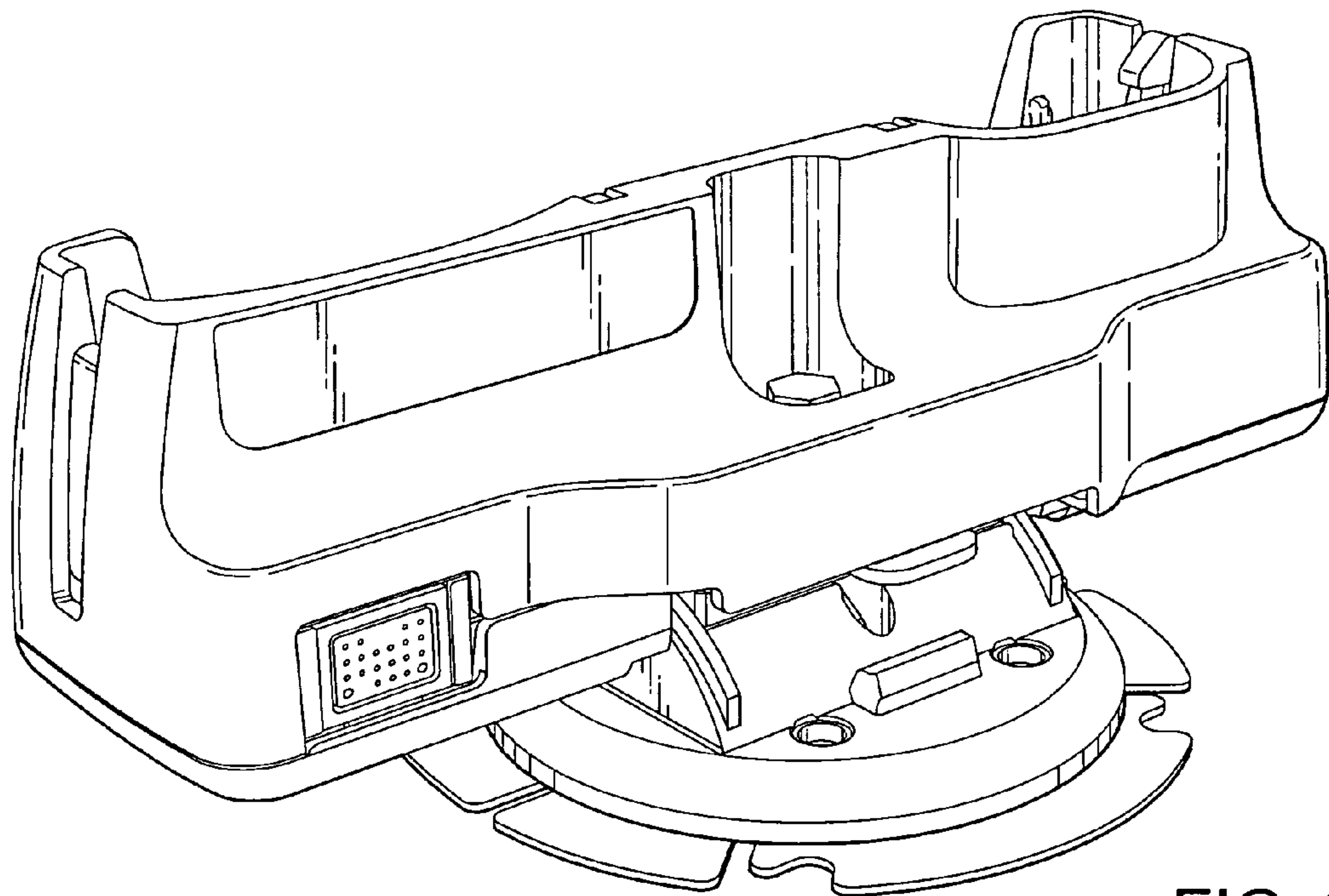


FIG. 2

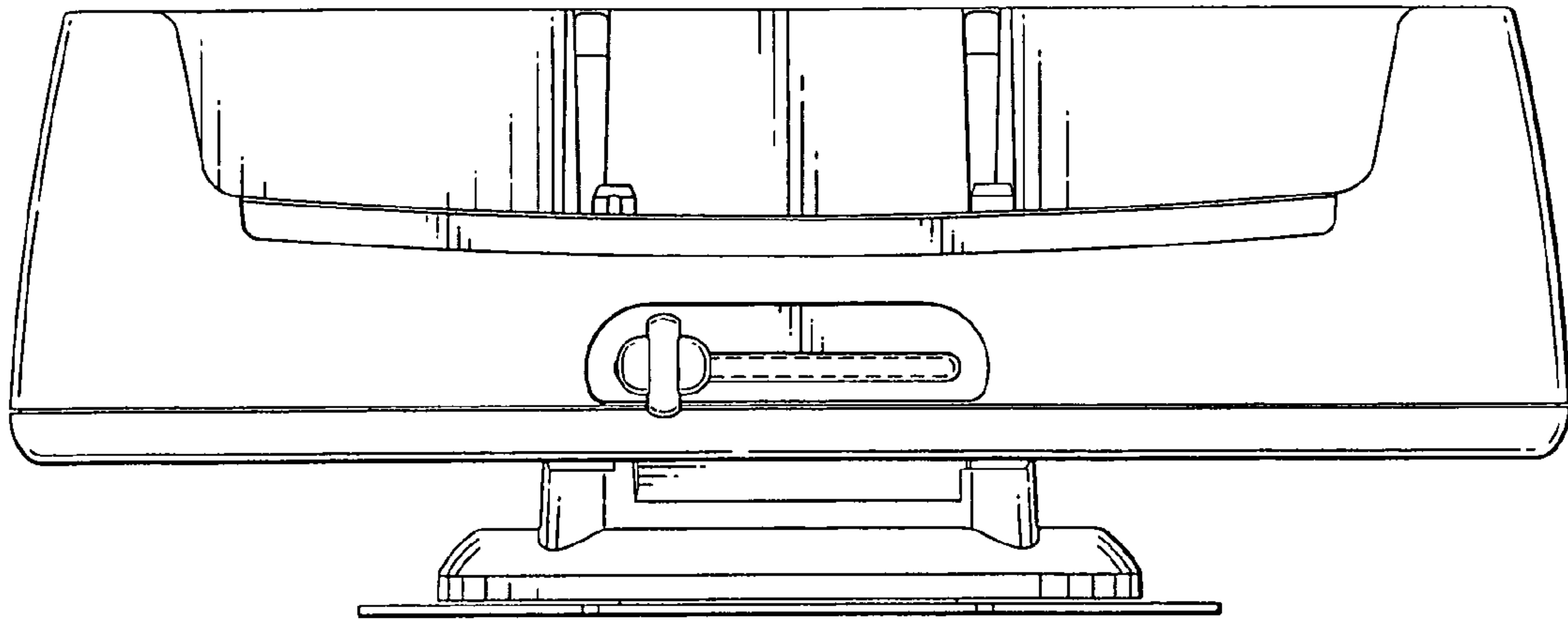


FIG. 3

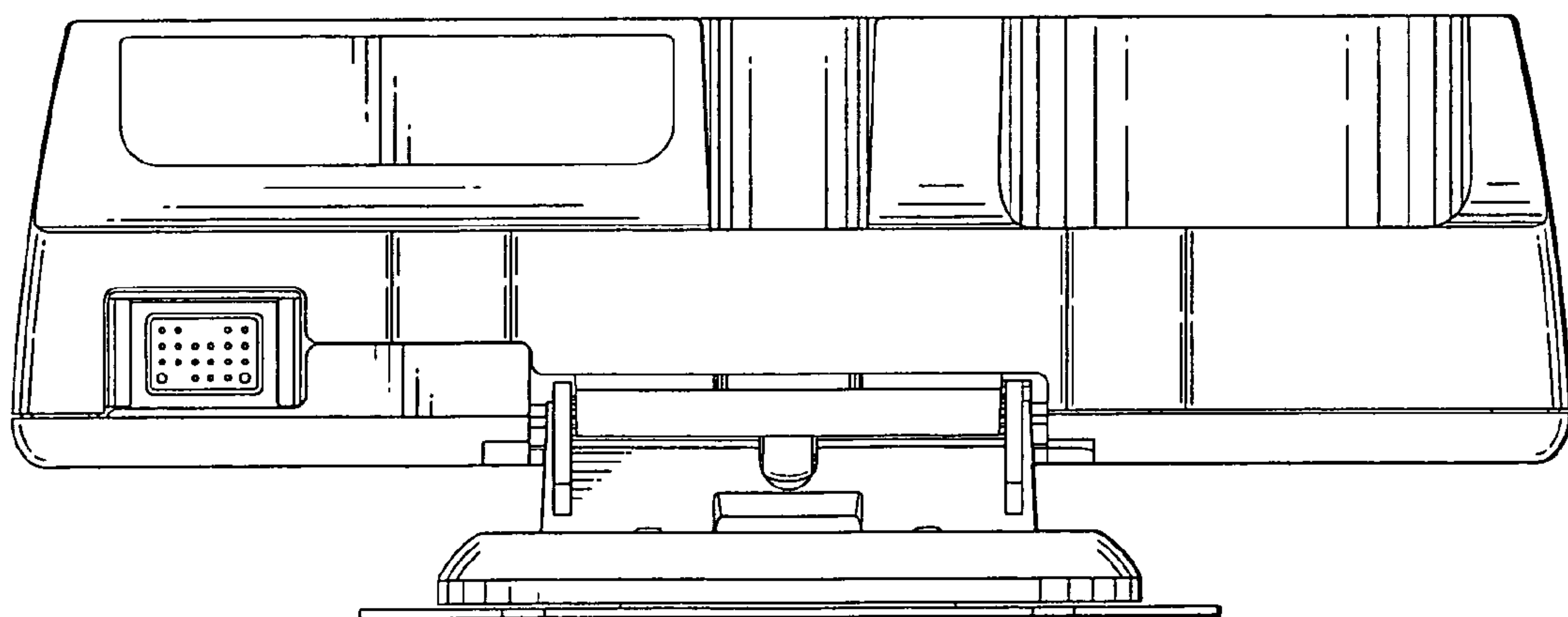


FIG. 4

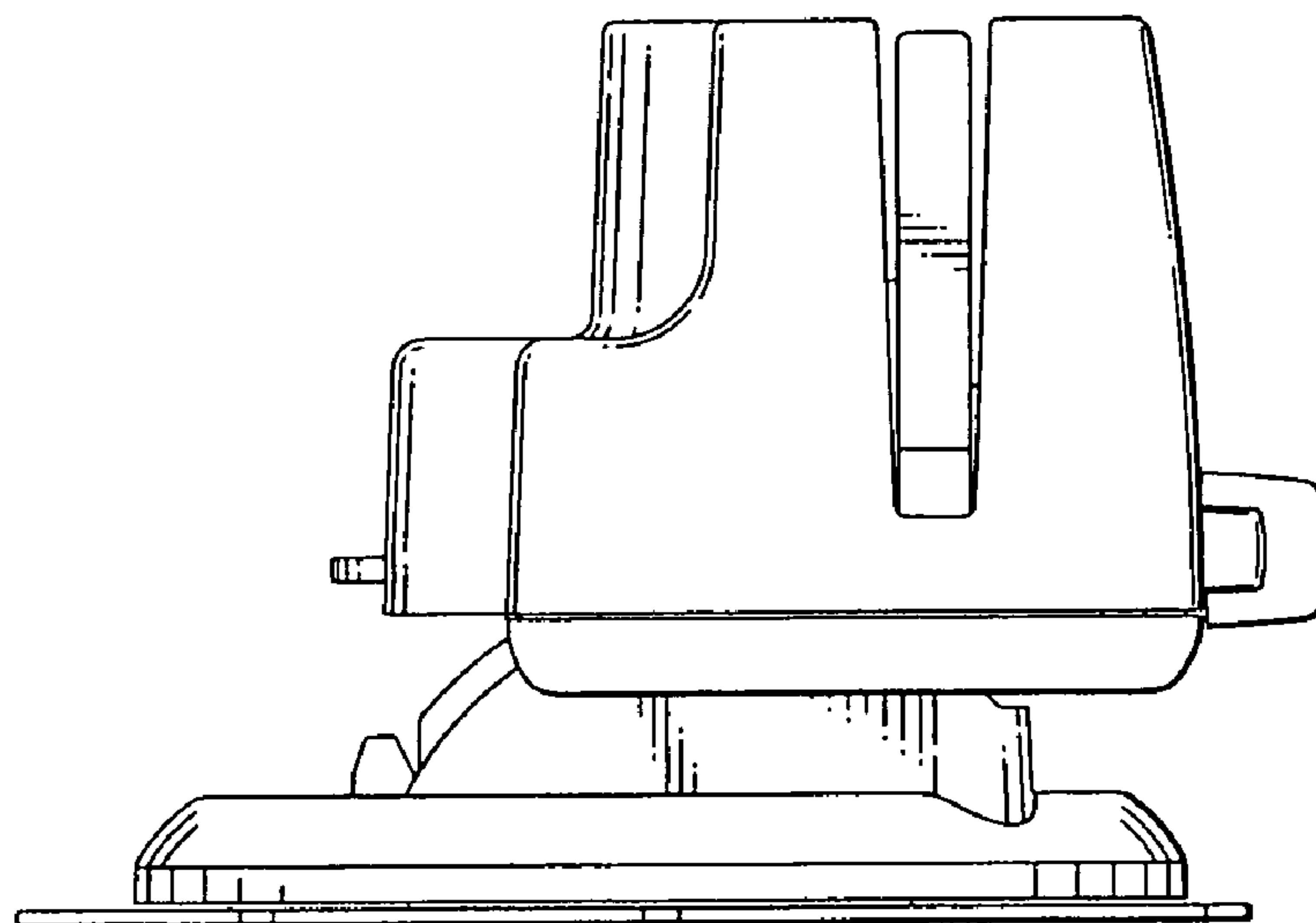


FIG. 5

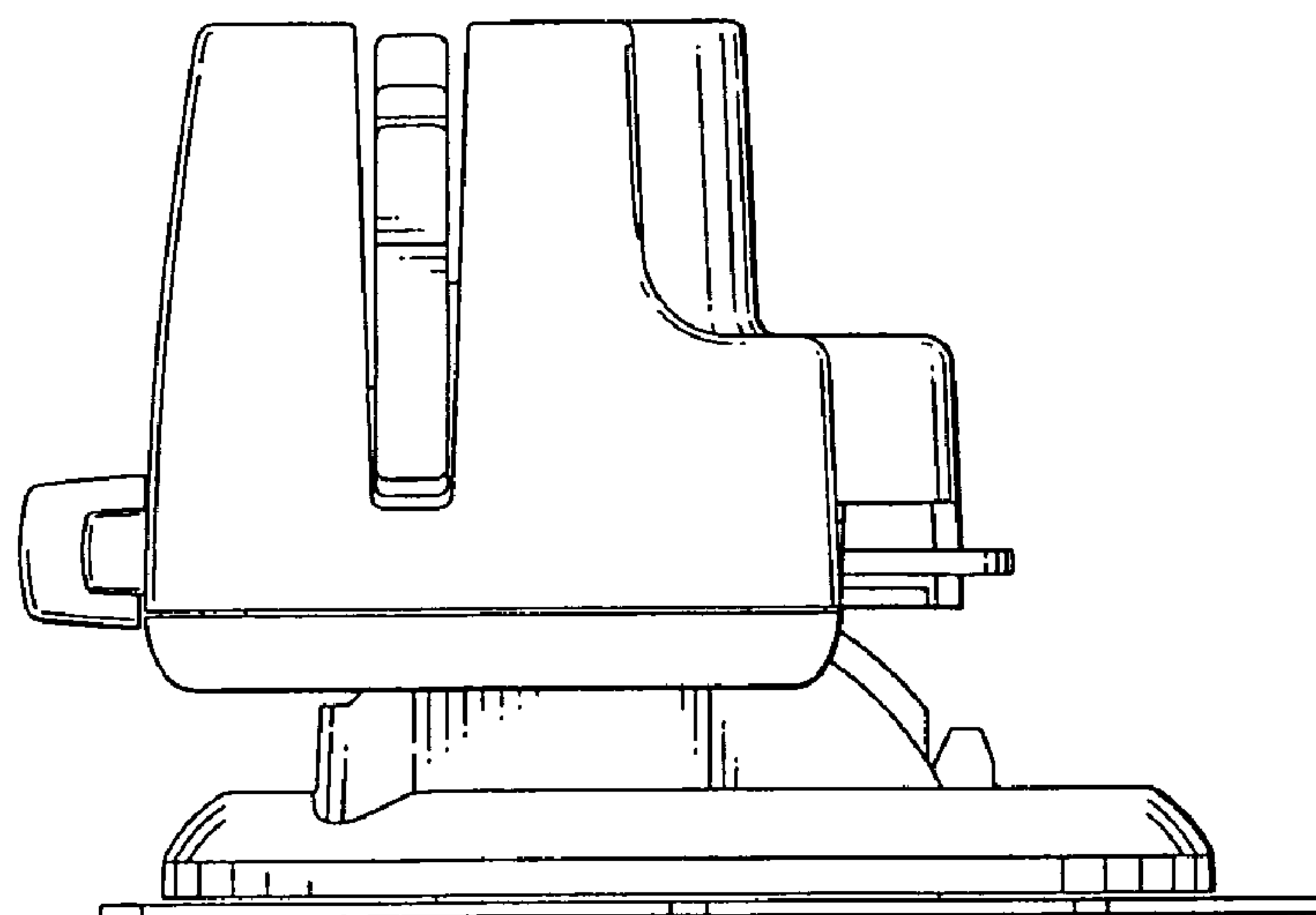


FIG. 6

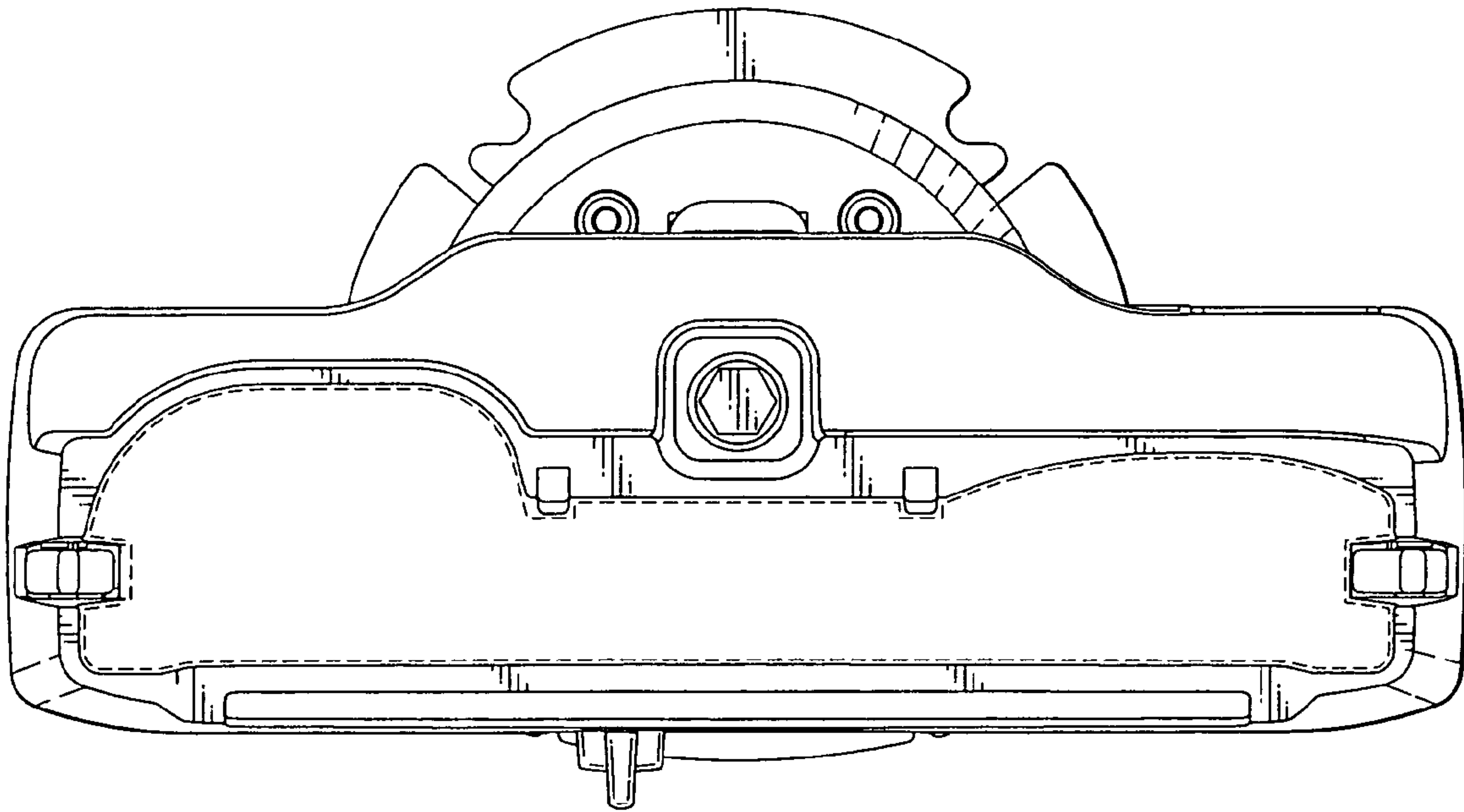


FIG. 7

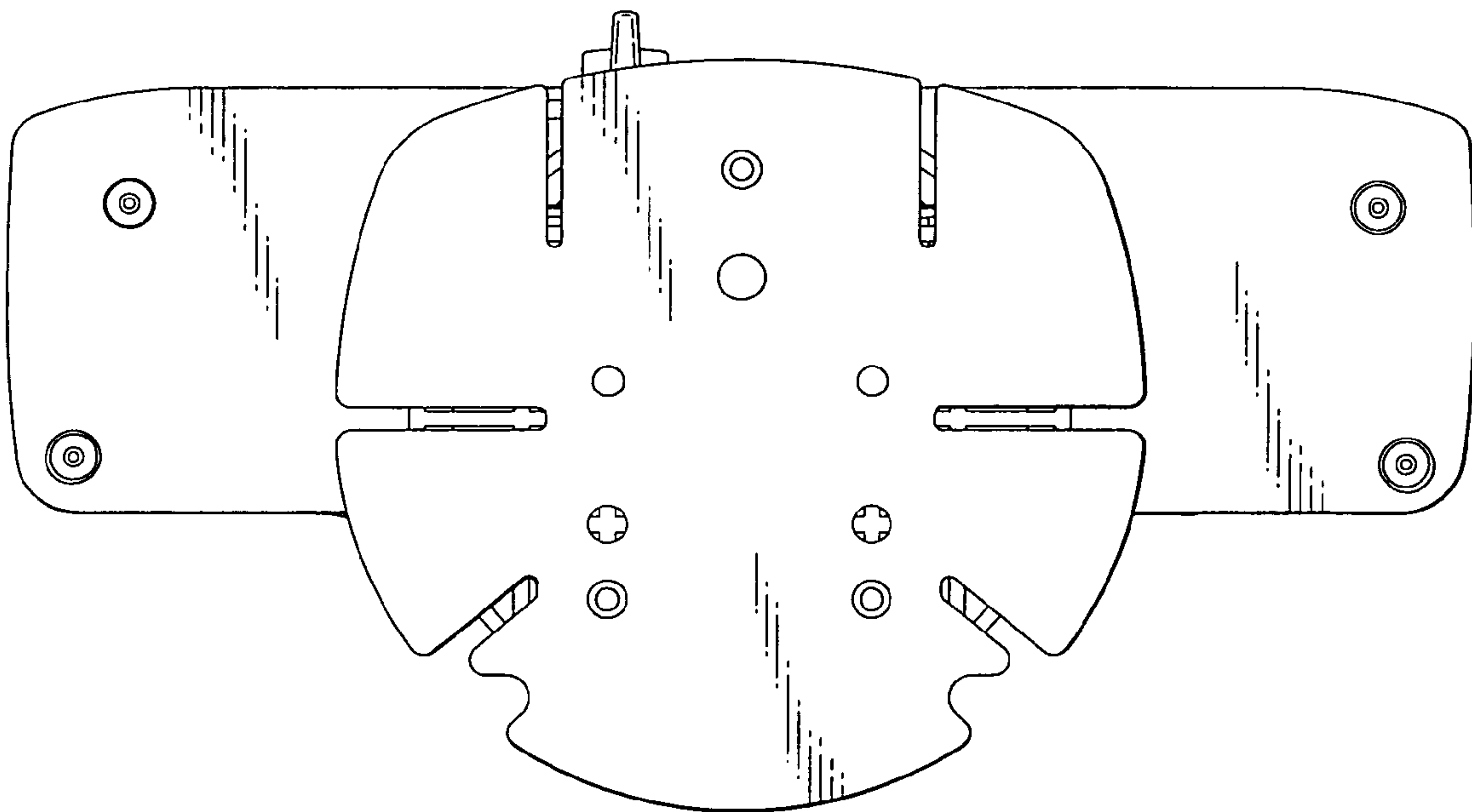


FIG. 8

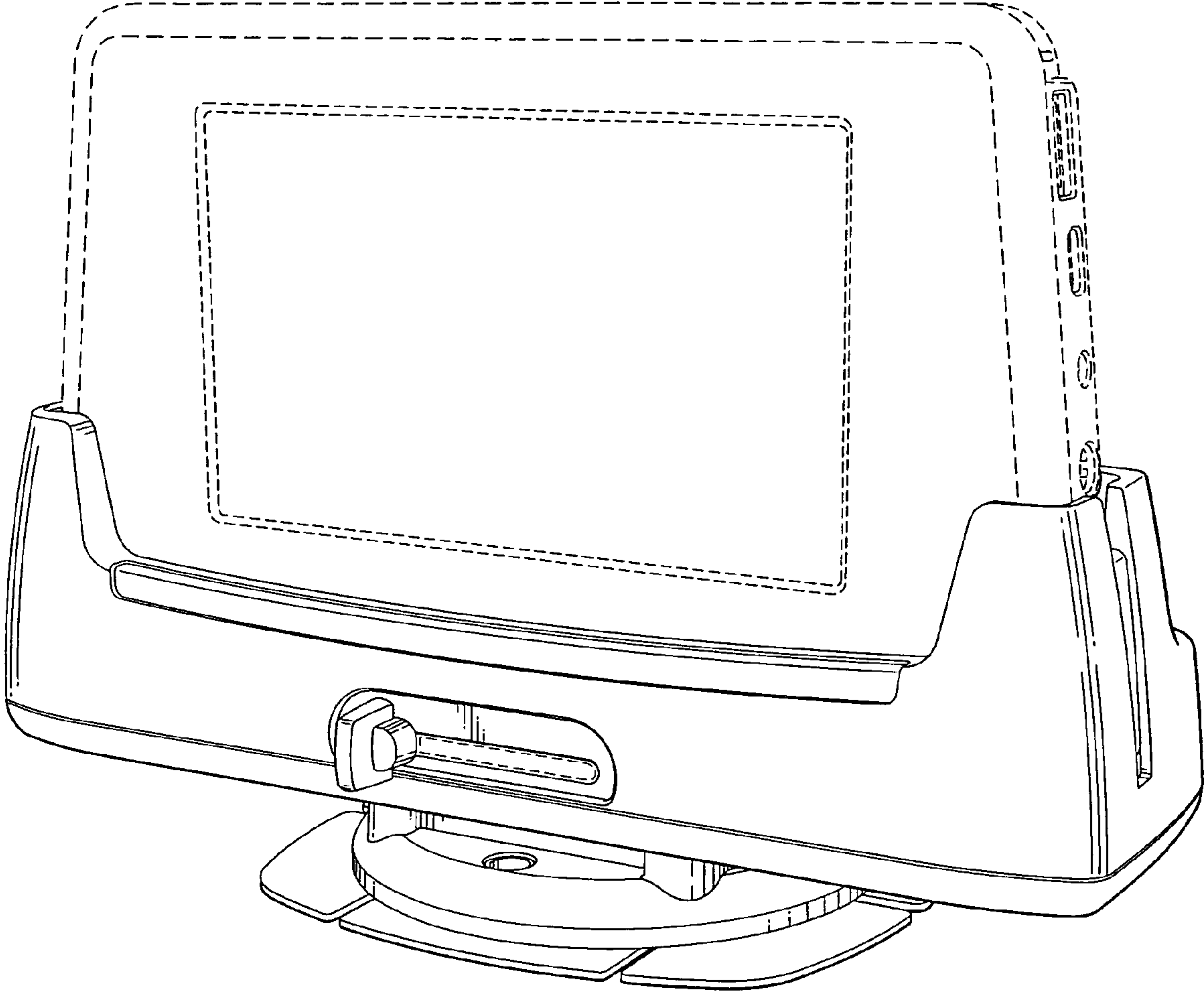


FIG. 9