



US00D595720S

(12) **United States Design Patent**
Warth

(10) **Patent No.:** **US D595,720 S**
(45) **Date of Patent:** **** Jul. 7, 2009**

(54) **DATA PROCESSING EQUIPMENT**
(75) Inventor: **Alexander Warth**, Potsdam (DE)
(73) Assignee: **Beyo GmbH**, Potsdam (DE)
(**) Term: **14 Years**
(21) Appl. No.: **29/298,189**
(22) Filed: **Nov. 30, 2007**

3,987,932 A * 10/1976 Maldon 221/96
D270,017 S * 8/1983 DiDonna D3/279
D276,960 S * 1/1985 Dunn D6/515
5,035,351 A * 7/1991 Moran 222/394
5,067,573 A * 11/1991 Uchida 345/173

(Continued)

Primary Examiner—Susan Moon Lee
(74) *Attorney, Agent, or Firm*—Keith D. Nowak; Carter, Ledyard & Milburn, LLP

(51) **LOC (9) Cl.** **14-02**
(52) **U.S. Cl.** **D14/420**
(58) **Field of Classification Search** 382/173,
382/162, 164, 286, 321, 315, 187, 313, 114,
382/176, 298, 189; 434/112, 116, 114, 309,
434/178, 185; 704/260, 270, 278, 271, E13.008;
345/104, 156, 660, 471, 698; 348/231.2,
348/231.3; 358/473, 444, 474, 497, 496,
358/498, 408, 487, 506, 486, 513, 1.15, 1.14,
358/475, 494, 495, 442, 452, 484, 488; 361/686;
399/380, 367, 107, 393, 405; D6/515, 517,
D6/545, 544, 542, 520, 527; D3/279; D34/25;
D7/631; D28/54.1; 221/45, 97, 62, 96, 281,
221/33, 54, 61, 63; 312/34.1, 245, 34.4,
312/34.7, 42; 401/75, 172, 175, 68; 222/129,
222/93; 235/454, 375, 470; D14/420–425,
D14/462–470; 400/691–693, 613–613.4,
400/690.1–690.4, 605, 625, 680, 188, 642,
400/88; D18/50, 55, 49, 36–39; 346/134;
347/104, 108; 271/10.01, 126, 9.01, 145,
271/3.14, 209, 161, 188; 355/72, 75, 40
See application file for complete search history.

(57) **CLAIM**

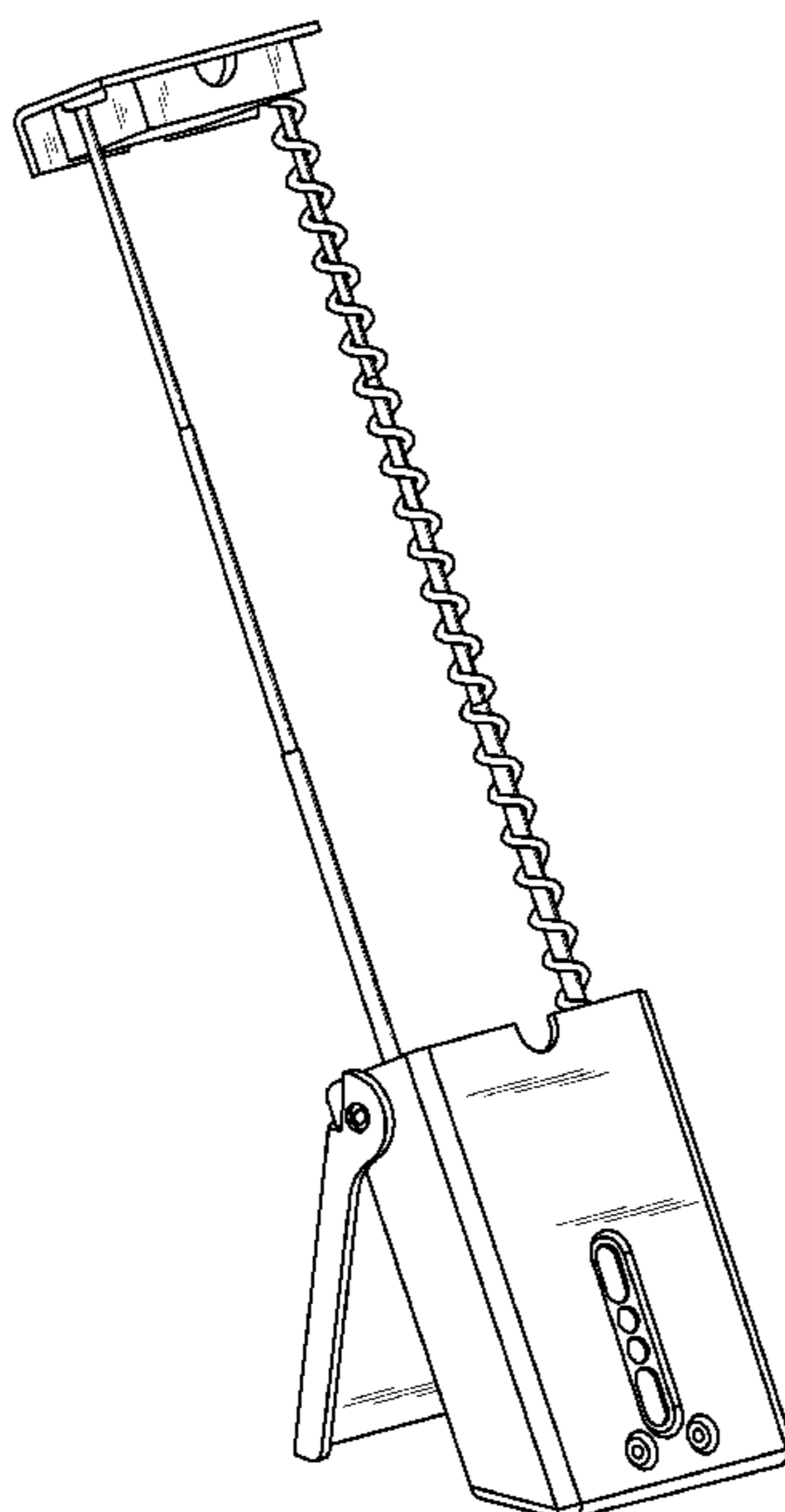
I claim the ornamental design for data processing equipment, as shown and described.

DESCRIPTION

FIG. 1 is a perspective view of data processing equipment of the present invention, shown in an open position;
FIG. 2 is a front side view thereof;
FIG. 3 is a rear side view thereof;
FIG. 4 is a right side view thereof;
FIG. 5 is a left side view thereof;
FIG. 6 is a front view of the present invention, shown in a closed position;
FIG. 7 is a rear view thereof;
FIG. 8 is a left side view thereof;
FIG. 9 is a right side view thereof;
FIG. 10 is a top end view thereof;
FIG. 11 is a bottom end view thereof; and,
FIG. 12 is a perspective view of the present invention, shown in an open position with the dotted lines depicting solely environmental structures and forming no part of the claimed design.

(56) **References Cited**
U.S. PATENT DOCUMENTS
271,177 A * 1/1883 White 221/26
D119,033 S * 2/1940 Bolser D6/515

1 Claim, 9 Drawing Sheets



US D595,720 S

Page 2

U.S. PATENT DOCUMENTS

5,233,333	A *	8/1993	Borsuk	345/660	D469,096	S *	1/2003	Khovaylo et al.	D14/425
D347,344	S *	5/1994	Schumaker	D6/515	6,542,623	B1 *	4/2003	Kahn	382/114
D348,054	S *	6/1994	Minasian et al.	D14/425	6,549,304	B1 *	4/2003	Dow et al.	358/473
5,327,503	A *	7/1994	Kiyohara	382/321	D475,873	S *	6/2003	Mello	D6/515
D366,583	S *	1/1996	Scaife	D6/515	6,644,499	B2 *	11/2003	Tramontina	221/45
5,511,806	A *	4/1996	McNair	280/47.2	D482,915	S *	12/2003	Yang et al.	D6/515
5,548,417	A *	8/1996	Sekimoto et al.	358/474	6,661,539	B1 *	12/2003	Nee	358/474
5,568,848	A *	10/1996	Liang	190/18 A	6,817,623	B1 *	11/2004	Gerutto	280/655.1
5,573,089	A *	11/1996	Liang	190/18 A	6,965,862	B2 *	11/2005	Schuller	704/258
D403,188	S *	12/1998	Kancso	D6/515	6,995,875	B2 *	2/2006	Dow et al.	358/473
5,874,946	A *	2/1999	Nishijima et al.	345/169	D518,294	S *	4/2006	Doppelt	D3/279
5,920,877	A *	7/1999	Kolster	715/235	D533,305	S *	12/2006	Takahashi et al.	D28/54.1
D418,764	S *	1/2000	Hojas	D10/70	7,196,828	B2 *	3/2007	Rubner et al.	358/497
D421,425	S *	3/2000	Yamano et al.	D14/425	7,200,560	B2 *	4/2007	Philbert	704/271
6,037,954	A *	3/2000	McMahon	345/169	7,221,488	B2 *	5/2007	Khovaylo et al.	358/497
6,166,830	A *	12/2000	Koh et al.	358/473	7,222,307	B2 *	5/2007	Morris et al.	715/827
6,233,064	B1 *	5/2001	Griffin	358/474	D552,097	S *	10/2007	Ishizawa et al.	D14/425
D444,355	S *	7/2001	Tramontina et al.	D7/631	D552,428	S *	10/2007	Zeiron	D7/631
D445,652	S *	7/2001	Tramontina	D7/631	7,325,735	B2 *	2/2008	Kurzweil et al.	235/454
6,311,940	B1 *	11/2001	Koshimizu	248/176.1	D573,596	S *	7/2008	Laidlaw et al.	D14/422
D455,615	S *	4/2002	Tramontina	D7/631	7,432,912	B2 *	10/2008	Cote et al.	345/169
6,408,161	B1 *	6/2002	Minowa et al.	399/380	7,466,462	B2 *	12/2008	Chen	358/497

* cited by examiner

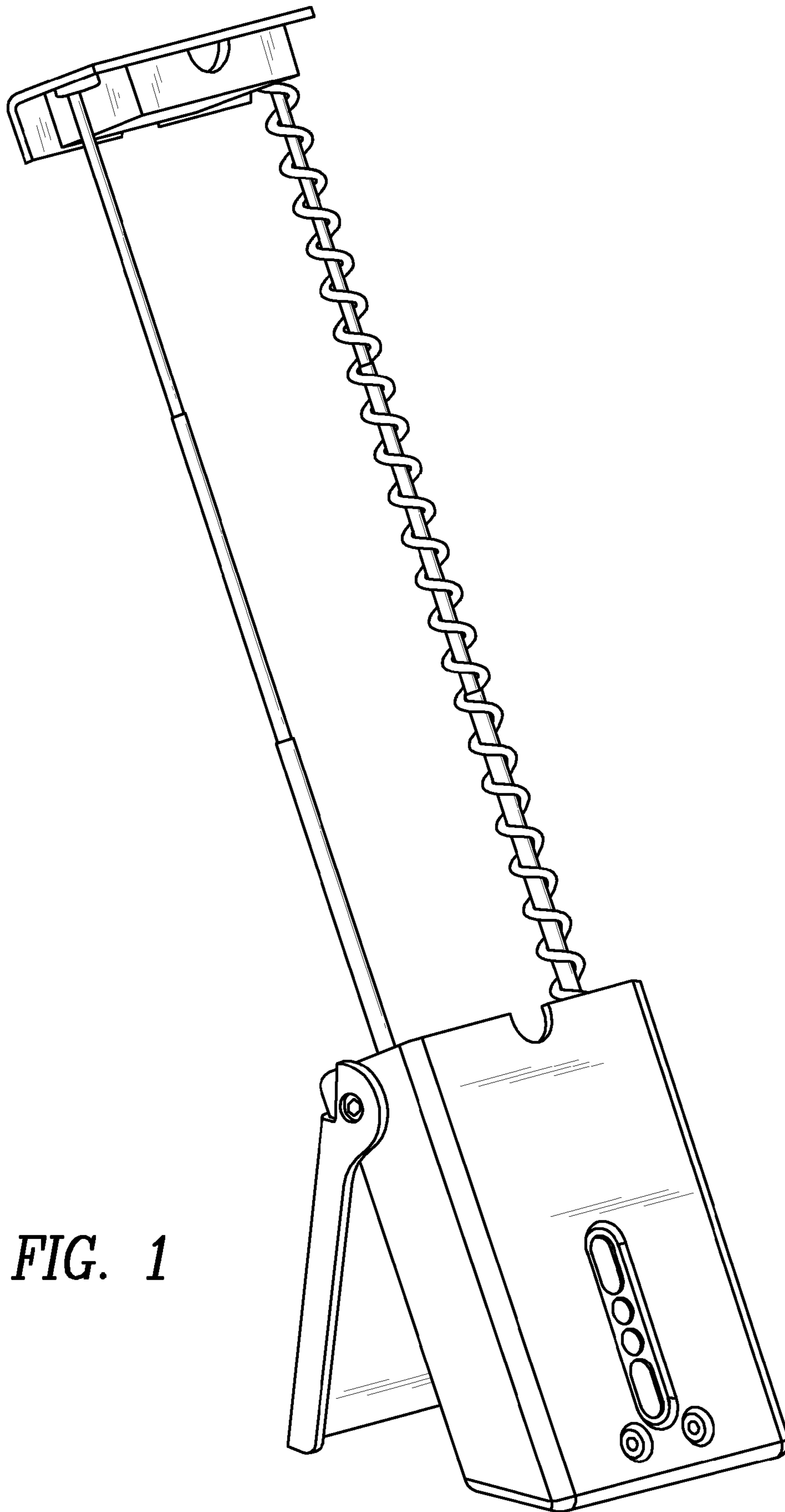


FIG. 1

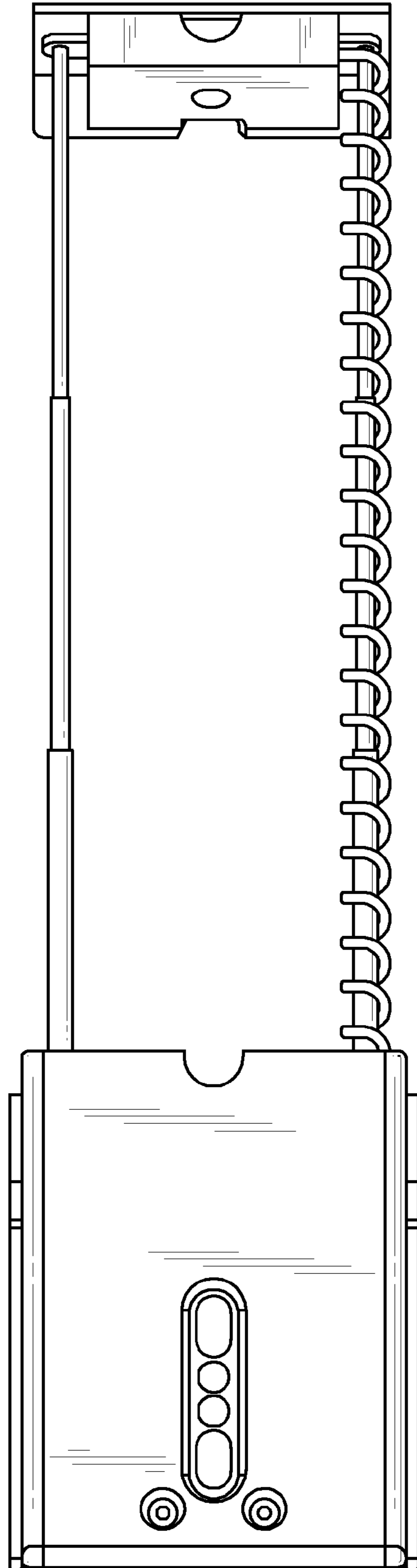


FIG. 2

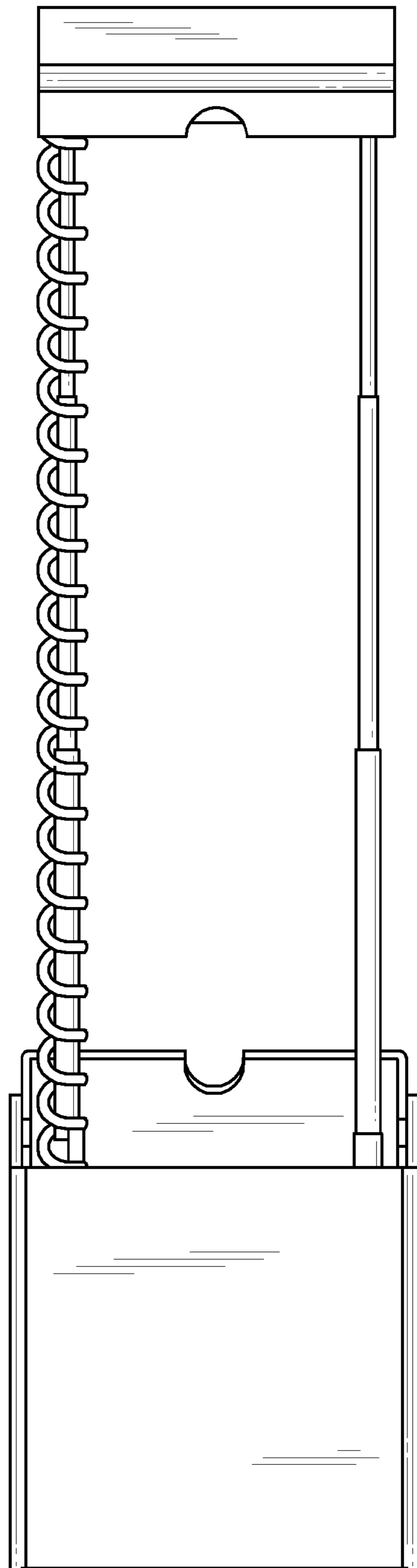


FIG. 3

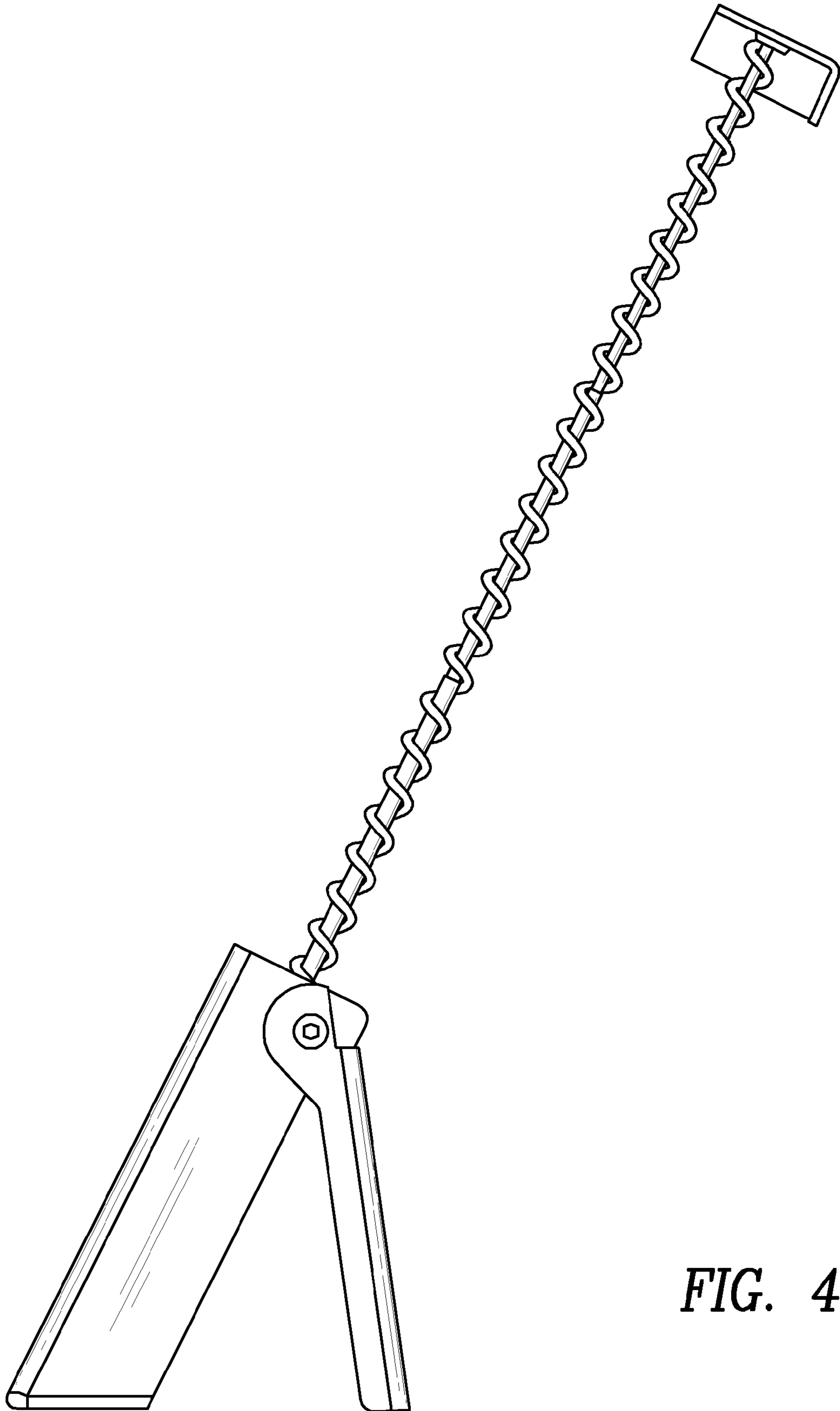


FIG. 4

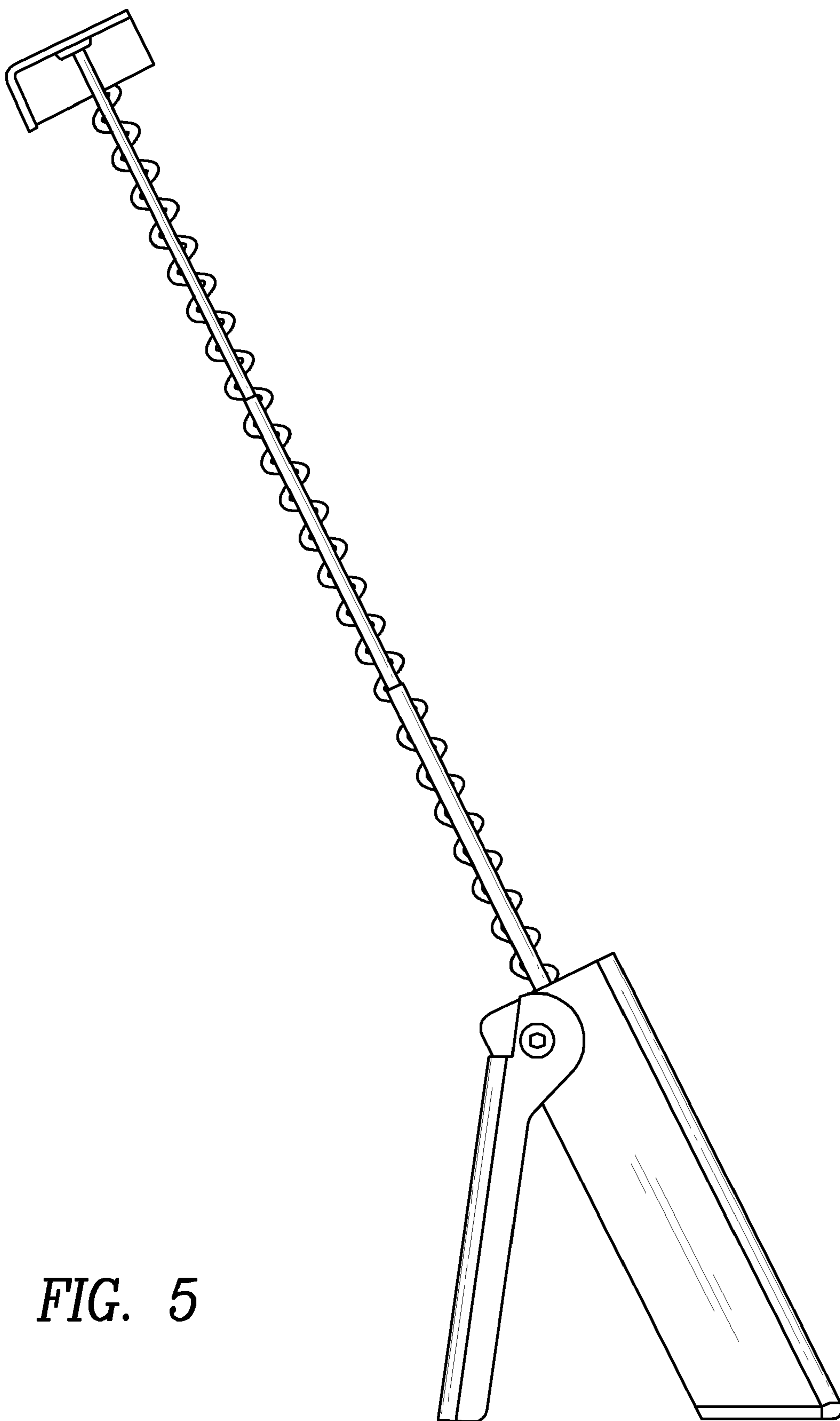


FIG. 5

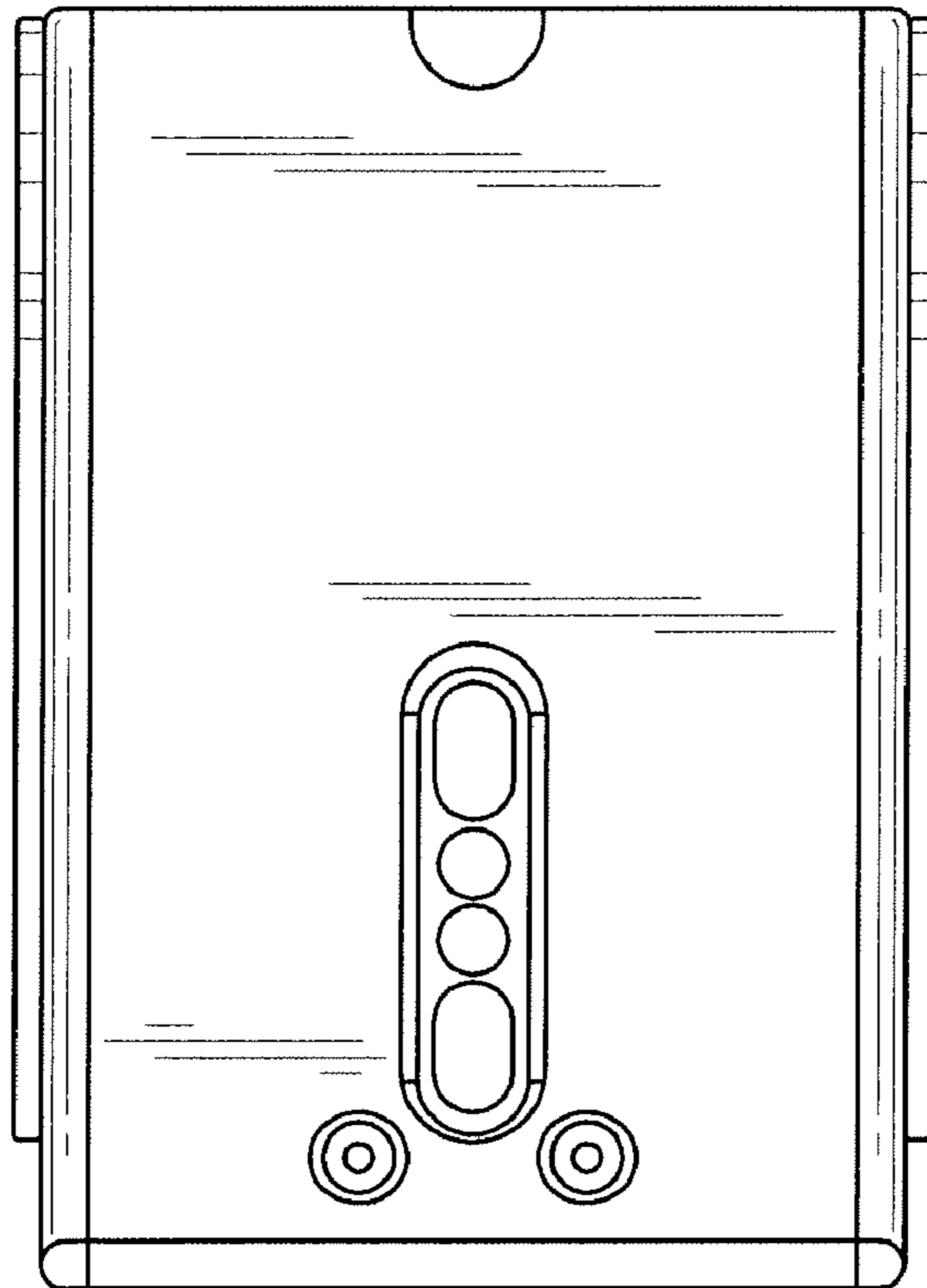


FIG. 6

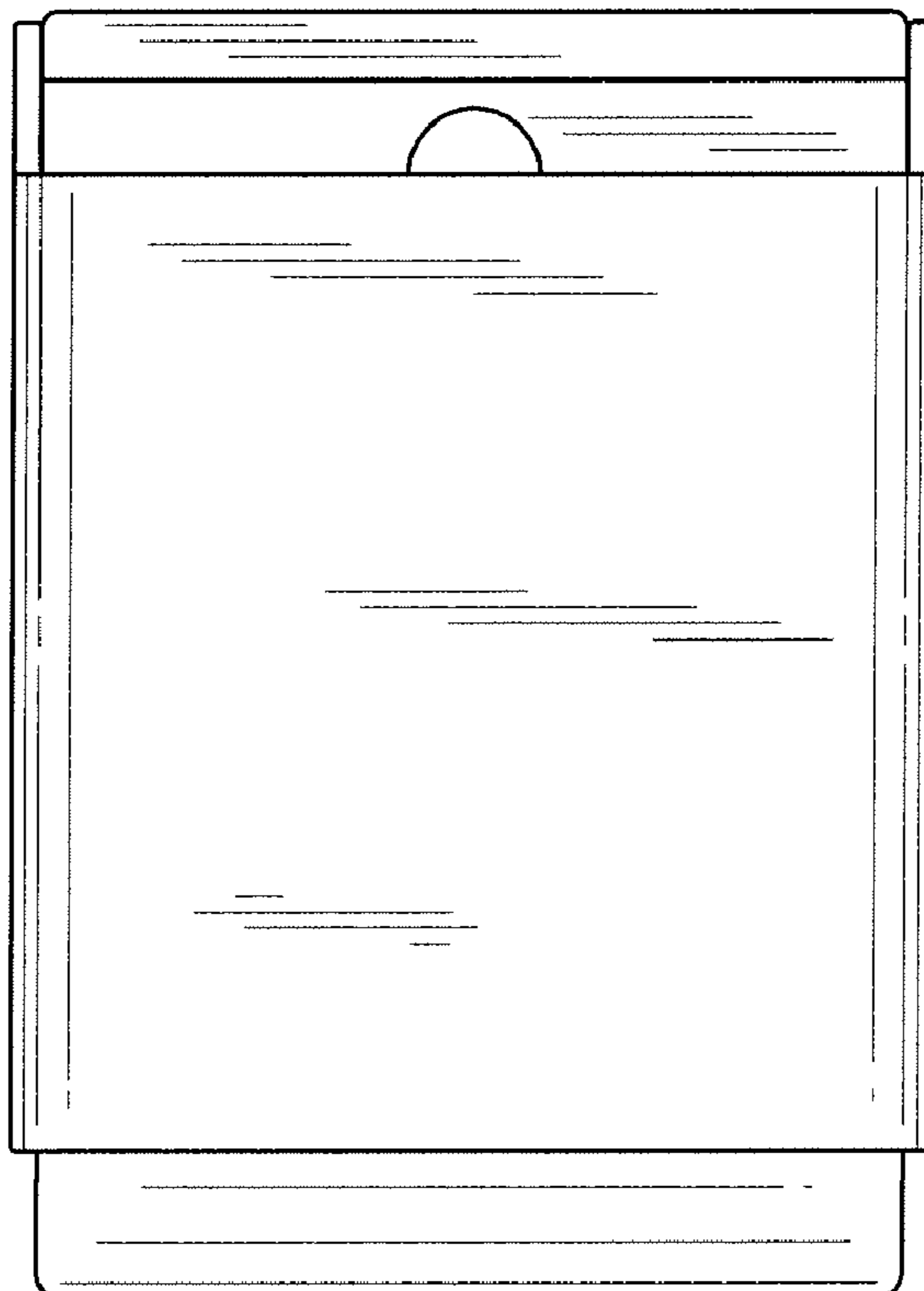


FIG. 7



FIG. 8

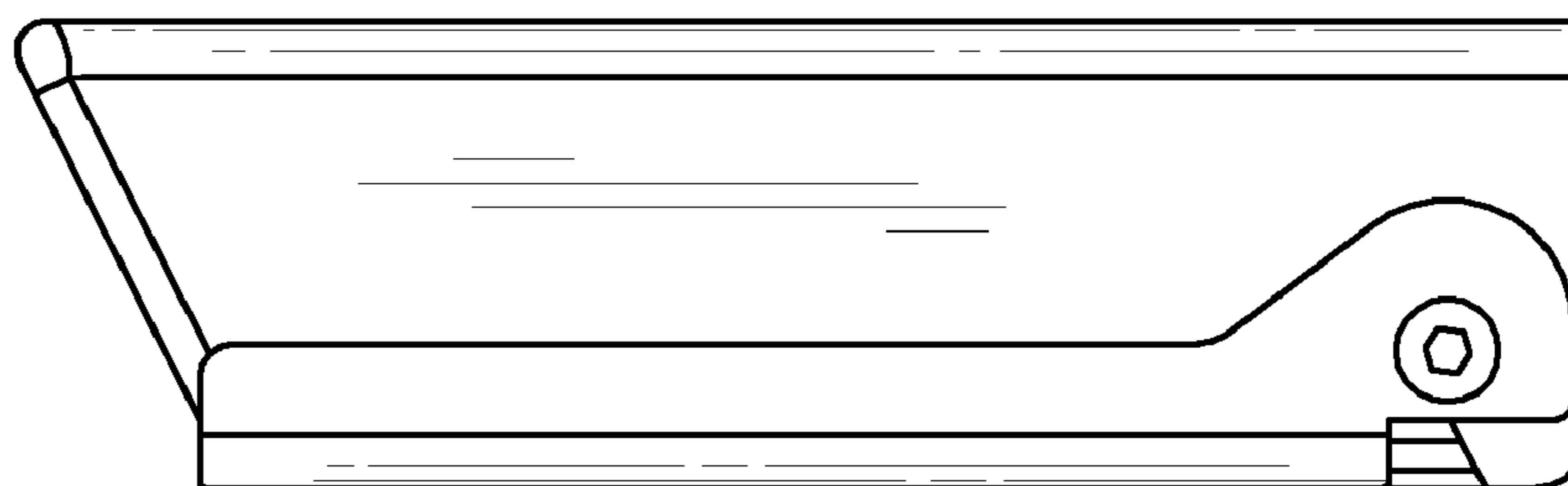


FIG. 9



FIG. 10

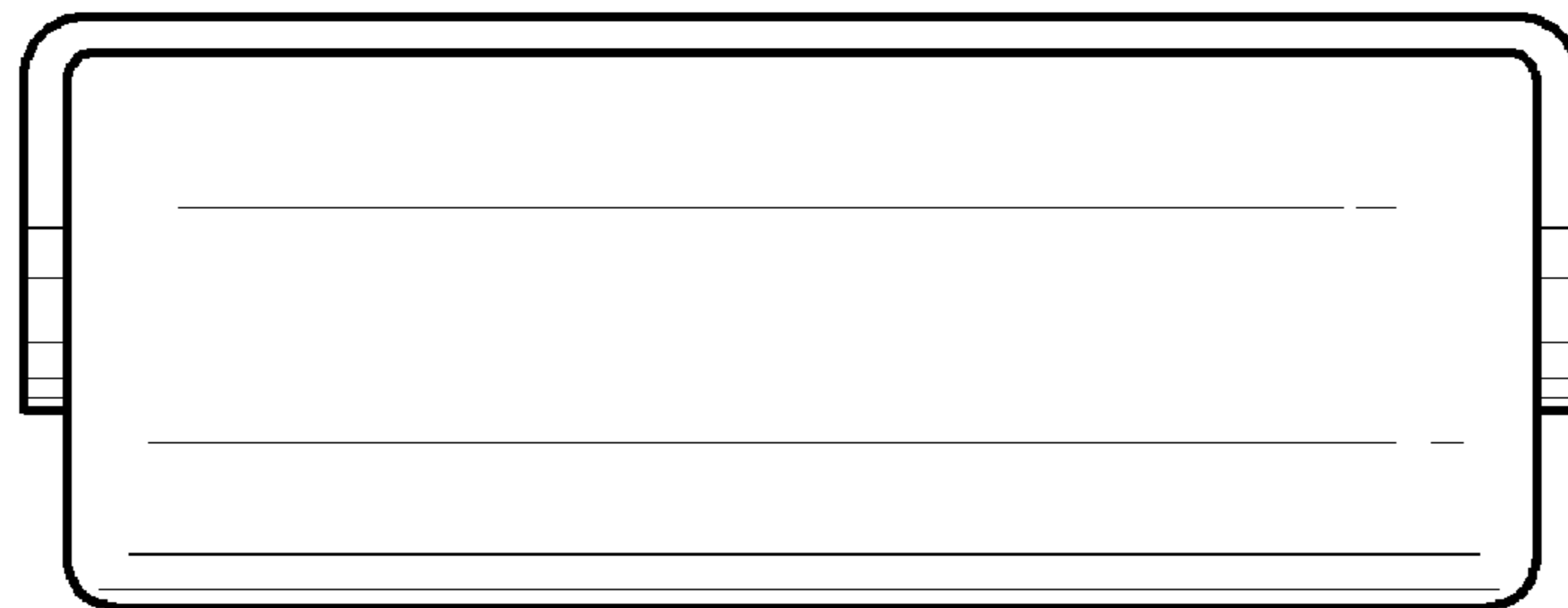


FIG. 11

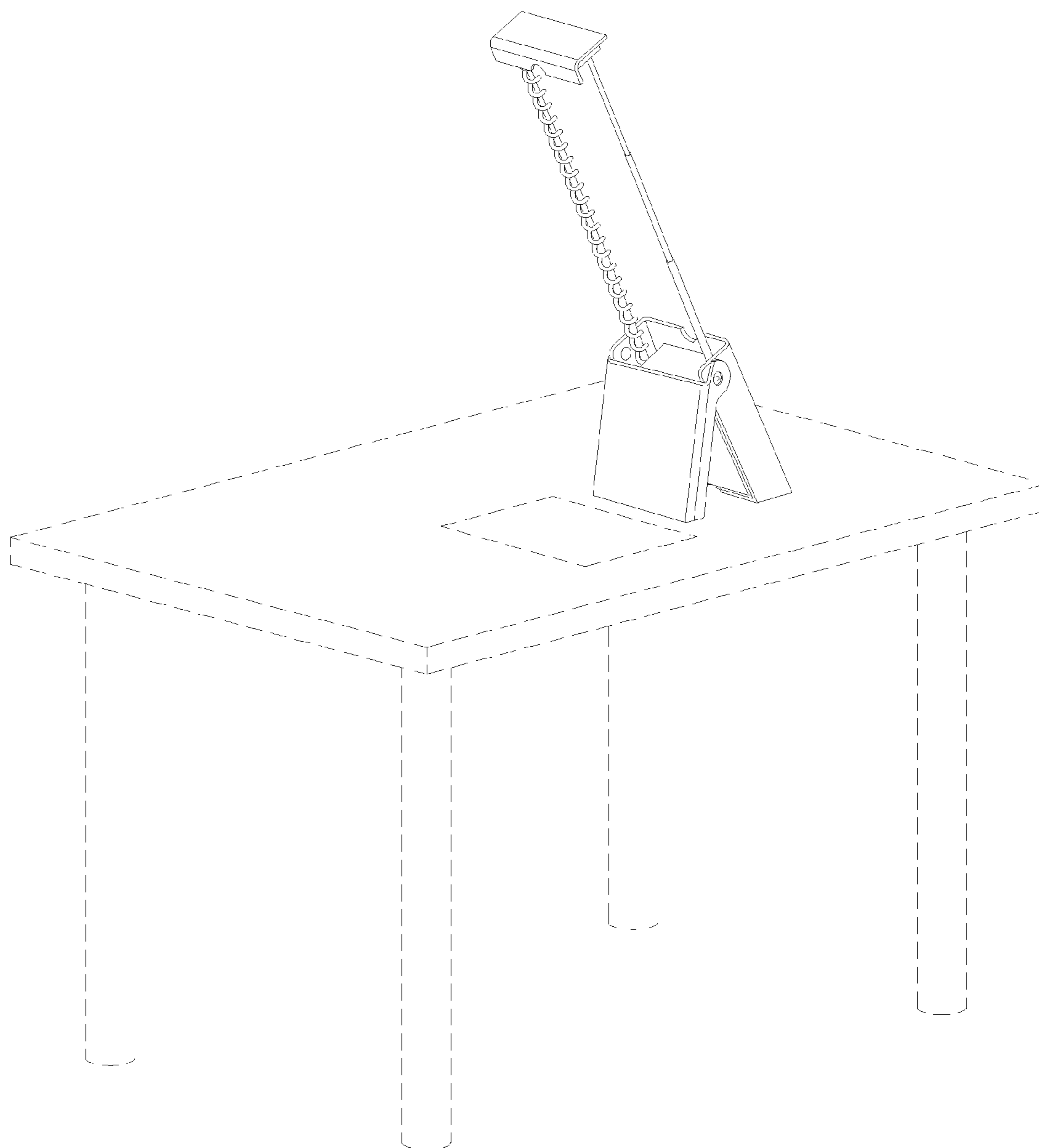


FIG. 12