



US00D595716S

(12) **United States Design Patent**  
**Kimura et al.**

(10) **Patent No.:** **US D595,716 S**  
(45) **Date of Patent:** **\*\* Jul. 7, 2009**

(54) **CHECK SCANNER**

(75) Inventors: **Seiji Kimura**, Shiojiri (JP); **Kenichi Hirabayashi**, Shiojiri (JP); **Yoshiki Kinoshita**, Suwa (JP)

(73) Assignee: **Seiko Epson Corporation** (JP)

(\*\*) Term: **14 Years**

(21) Appl. No.: **29/312,904**

(22) Filed: **Nov. 20, 2008**

|                 |         |                 |       |         |
|-----------------|---------|-----------------|-------|---------|
| D348,872 S      | 7/1994  | Cherry          | ..... | D14/386 |
| 5,345,090 A     | 9/1994  | Hludzinski      | ..... | 250/566 |
| 5,347,593 A     | 9/1994  | Klinefelter     | ..... | 382/207 |
| 5,714,747 A *   | 2/1998  | West et al.     | ..... | 235/493 |
| 5,923,019 A *   | 7/1999  | Bedell et al.   | ..... | 235/449 |
| D414,472 S *    | 9/1999  | Metzler         | ..... | D14/422 |
| 6,091,368 A     | 7/2000  | Mitchell et al. | ..... | 343/702 |
| 6,111,977 A     | 8/2000  | Scott et al.    | ..... | 382/124 |
| D443,878 S *    | 6/2001  | Sakata et al.   | ..... | D14/422 |
| D496,365 S      | 9/2004  | Liu et al.      | ..... | D14/385 |
| D498,236 S *    | 11/2004 | Liu et al.      | ..... | D18/4.6 |
| D507,271 S      | 7/2005  | Panini          | ..... | D14/386 |
| D587,270 S *    | 2/2009  | Kimura et al.   | ..... | D14/386 |
| 2002/0196963 A1 | 12/2002 | Bardwell        | ..... | 382/124 |

**Related U.S. Application Data**

(60) Division of application No. 29/293,210, filed on Nov. 9, 2007, which is a continuation-in-part of application No. 29/273,465, filed on Mar. 6, 2007, now Pat. No. Des. 587,270.

**Foreign Application Priority Data**

Apr. 12, 2006 (JP) ..... 2006-033325

(51) **LOC (9) Cl.** ..... **14-02**

(52) **U.S. Cl.** ..... **D14/386**

(58) **Field of Classification Search** ..... D14/383–387, D14/426, 422; 345/169, 173; 356/71, 237.1; 382/116, 124–126, 181, 207, 139; 235/382, 235/382.5, 449, 493; 355/64, 65, 75, 81; 118/31.5; 283/68–70, 74, 75, 78; 250/566, 250/569; 343/702; D18/4.6

See application file for complete search history.

**References Cited**

**U.S. PATENT DOCUMENTS**

|               |         |               |       |         |
|---------------|---------|---------------|-------|---------|
| D253,110 S    | 10/1979 | Randolph      | ..... | D14/386 |
| 4,277,689 A   | 7/1981  | Thomas et al. | ..... | 382/139 |
| D306,015 S    | 2/1990  | Pulio et al.  | ..... | D14/386 |
| 5,034,619 A * | 7/1991  | Hammond, Jr.  | ..... | 250/569 |
| 5,101,097 A * | 3/1992  | Conant        | ..... | 235/449 |

\* cited by examiner

*Primary Examiner*—Freda S Nunn

(74) *Attorney, Agent, or Firm*—Harness, Dickey & Pierce, P.L.C.

(57) **CLAIM**

The ornamental design for a check scanner, as shown and described.

**DESCRIPTION**

FIG. 1 is a front, right perspective view of a check scanner embodying our new design;

FIG. 2 is a rear, right perspective view thereof;

FIG. 3 is a right side view thereof;

FIG. 4 is a left side view thereof;

FIG. 5 is a front view thereof;

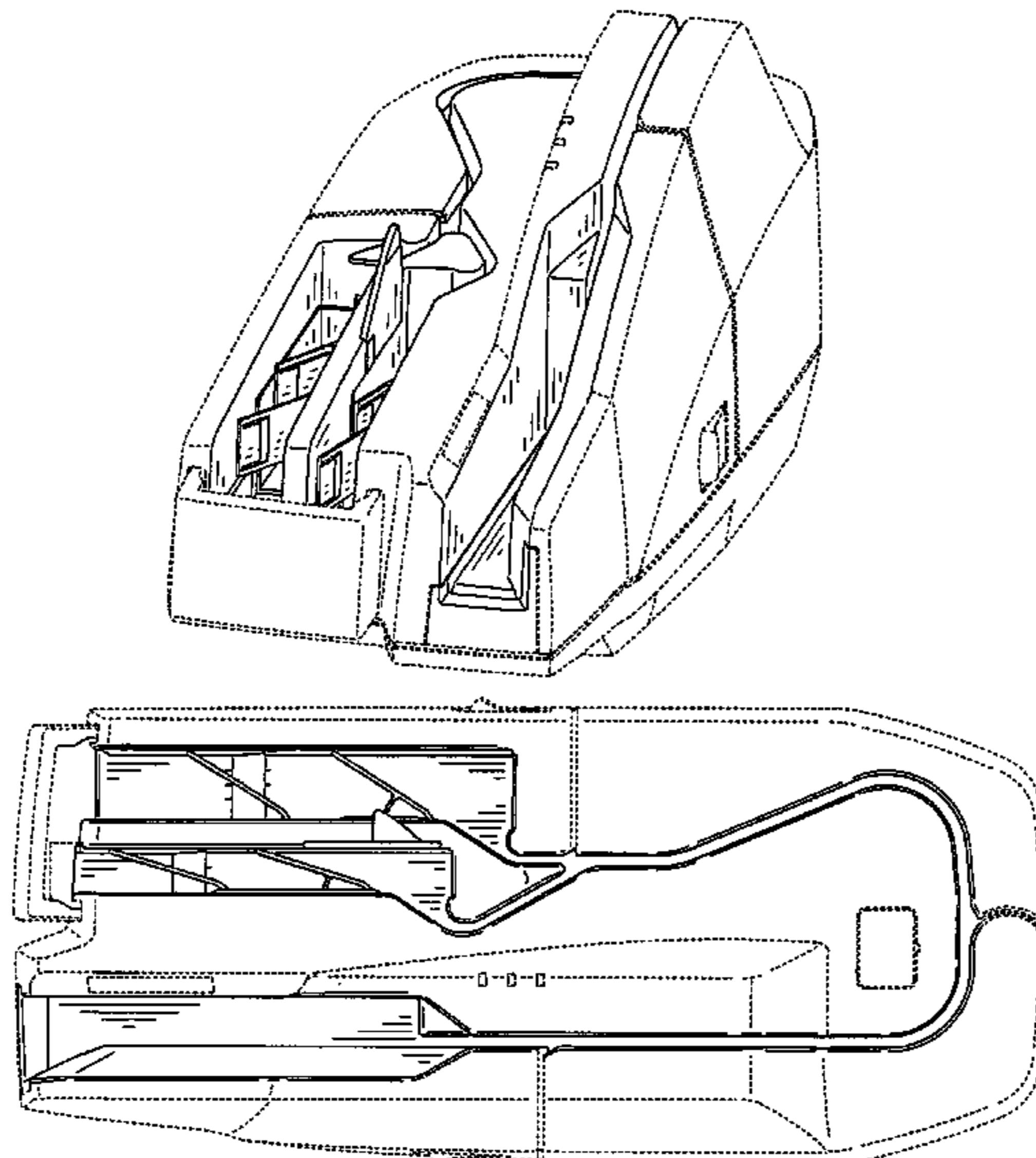
FIG. 6 is a rear view thereof;

FIG. 7 is a top view thereof; and,

FIG. 8 is a bottom view thereof.

Broken lines shown in the drawings illustrate portions of the check scanner, and form no part of the claimed design.

**1 Claim, 4 Drawing Sheets**



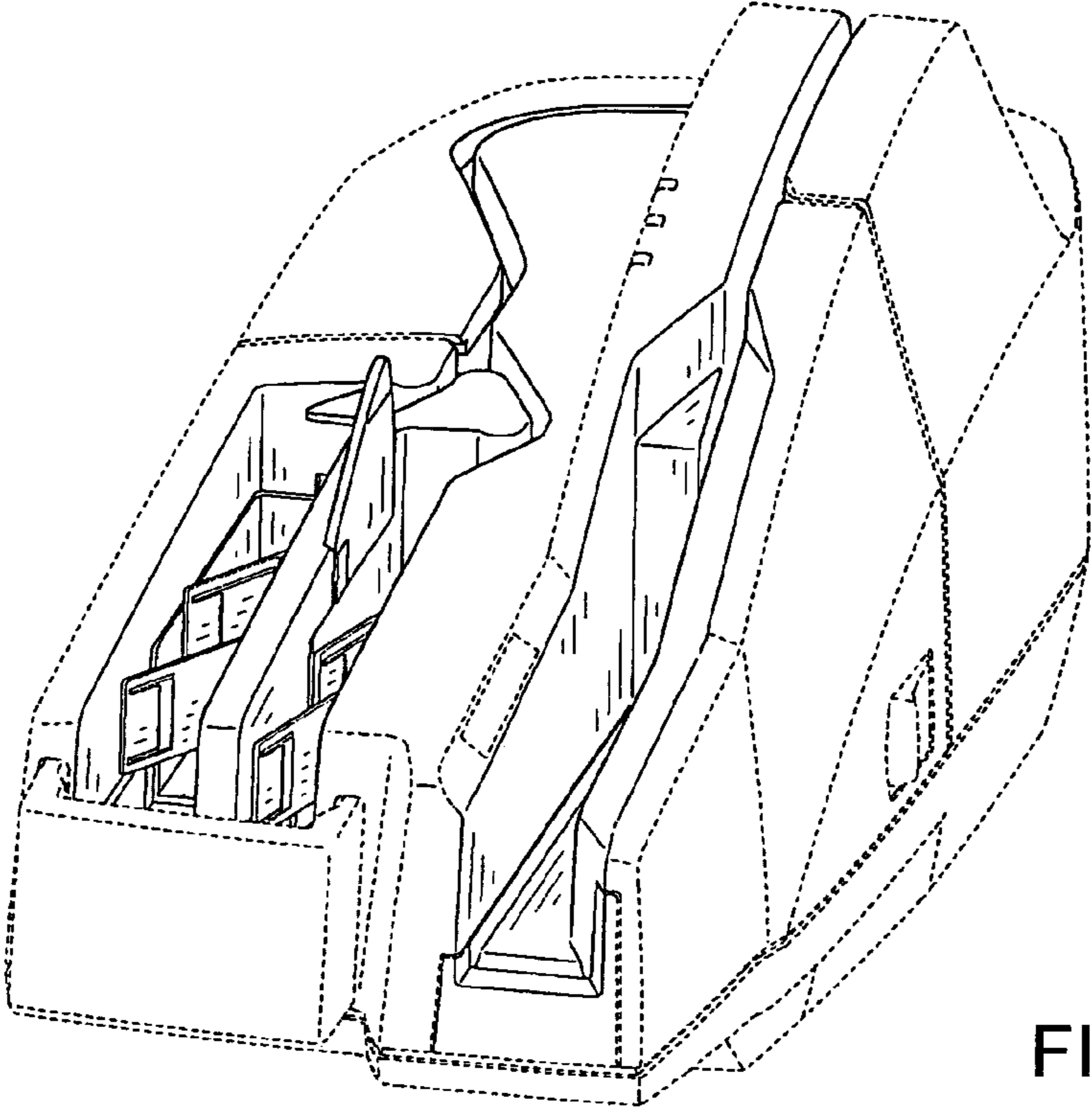


FIG. 1

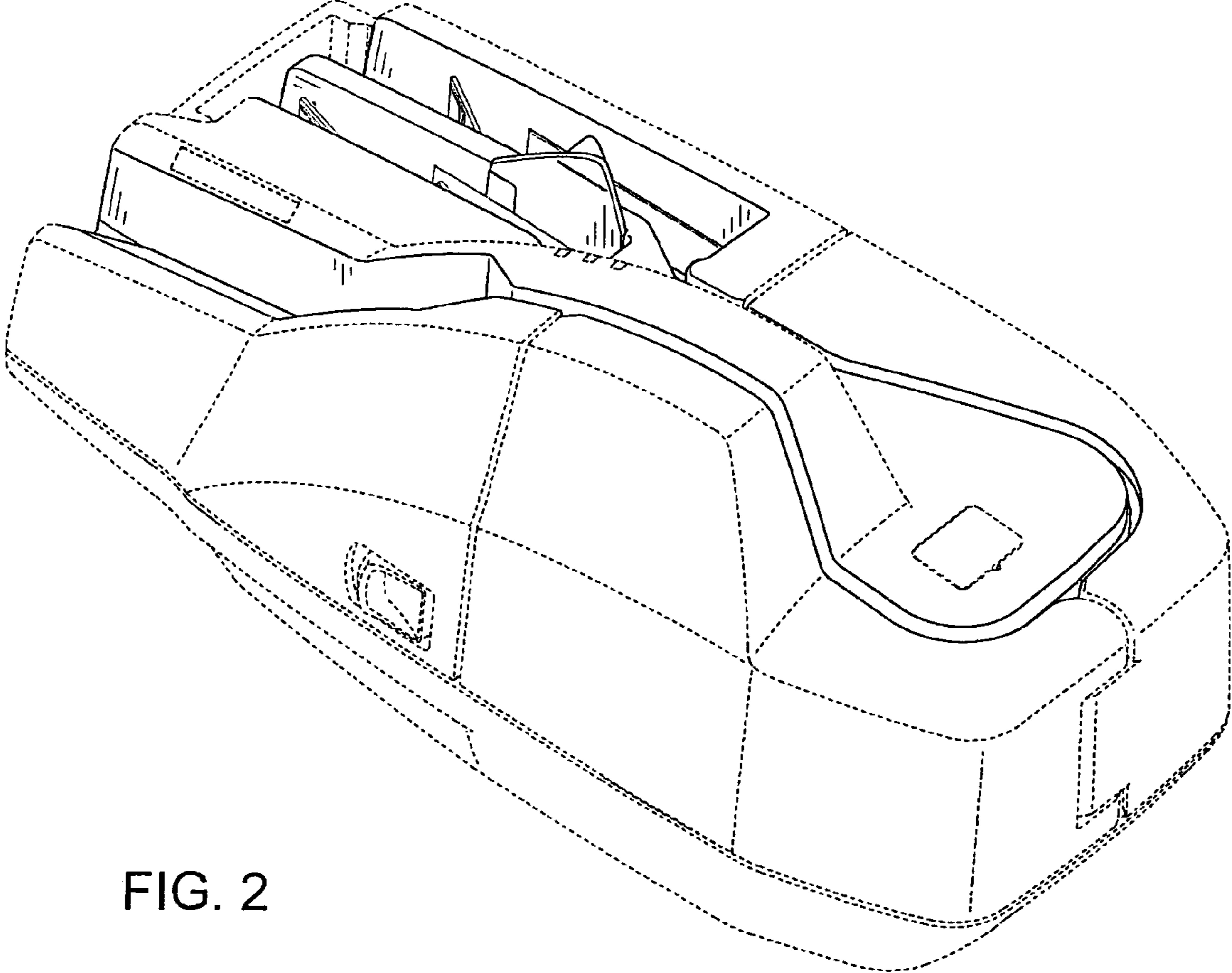


FIG. 2

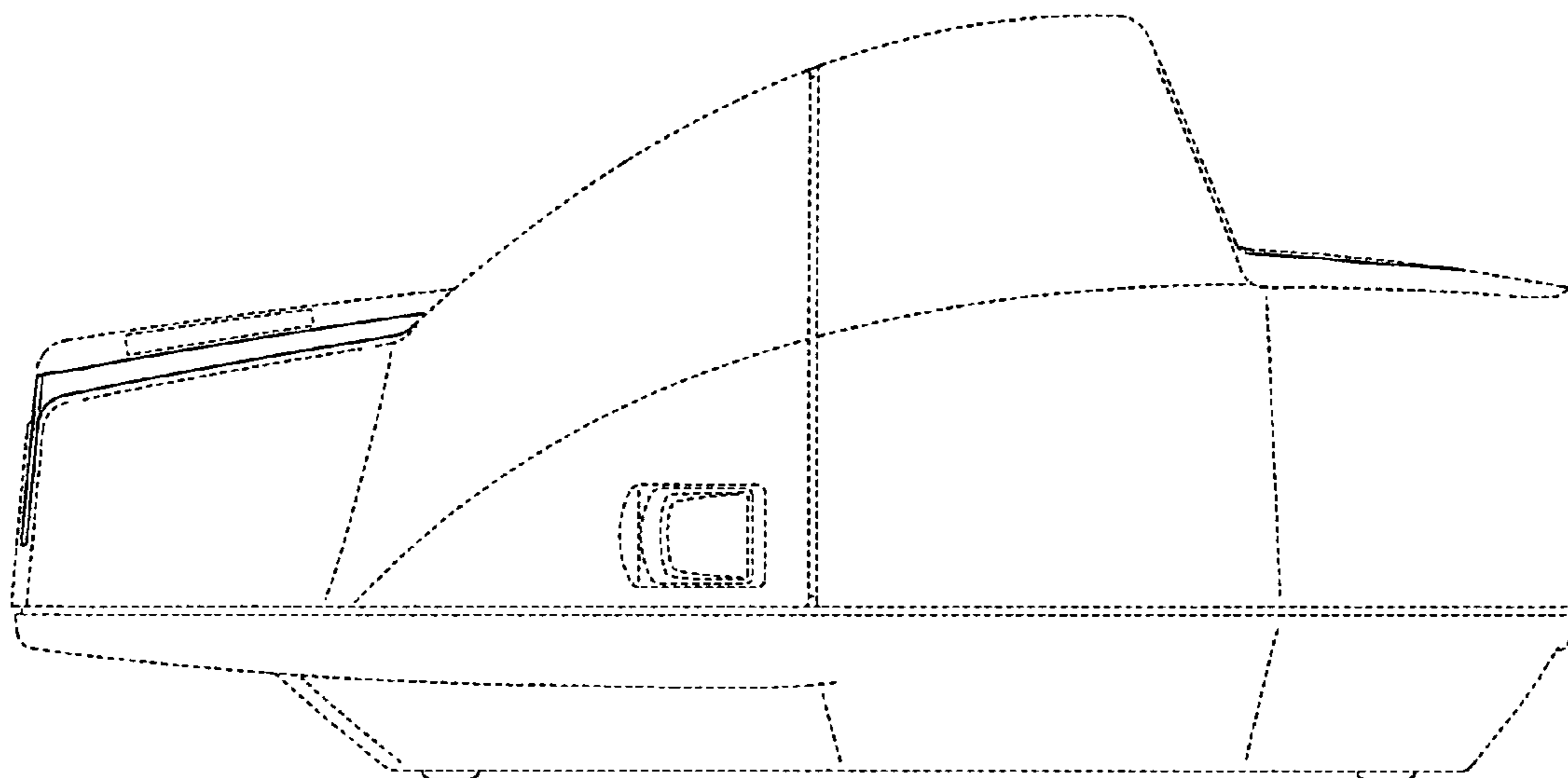


FIG. 3

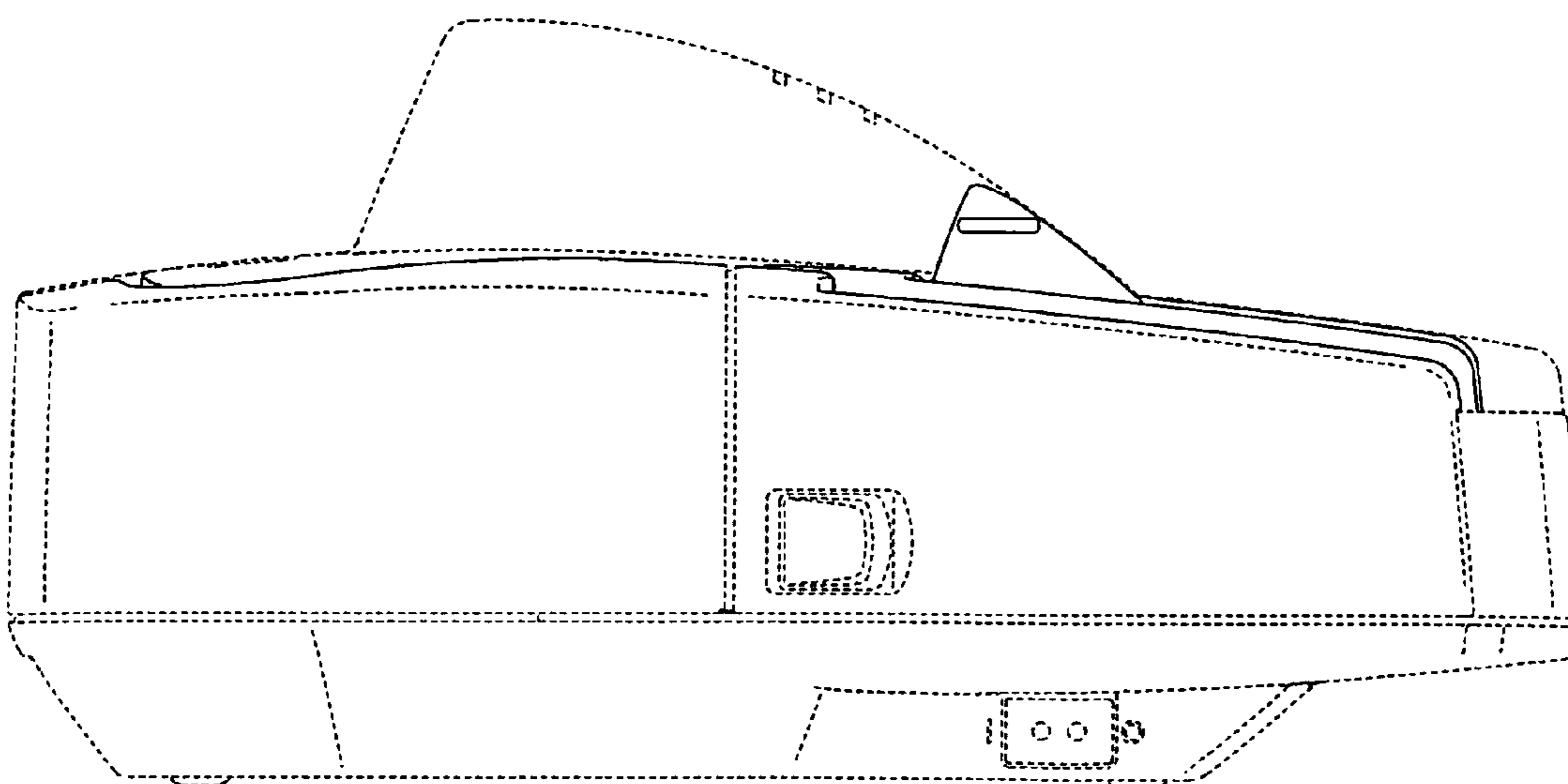


FIG. 4

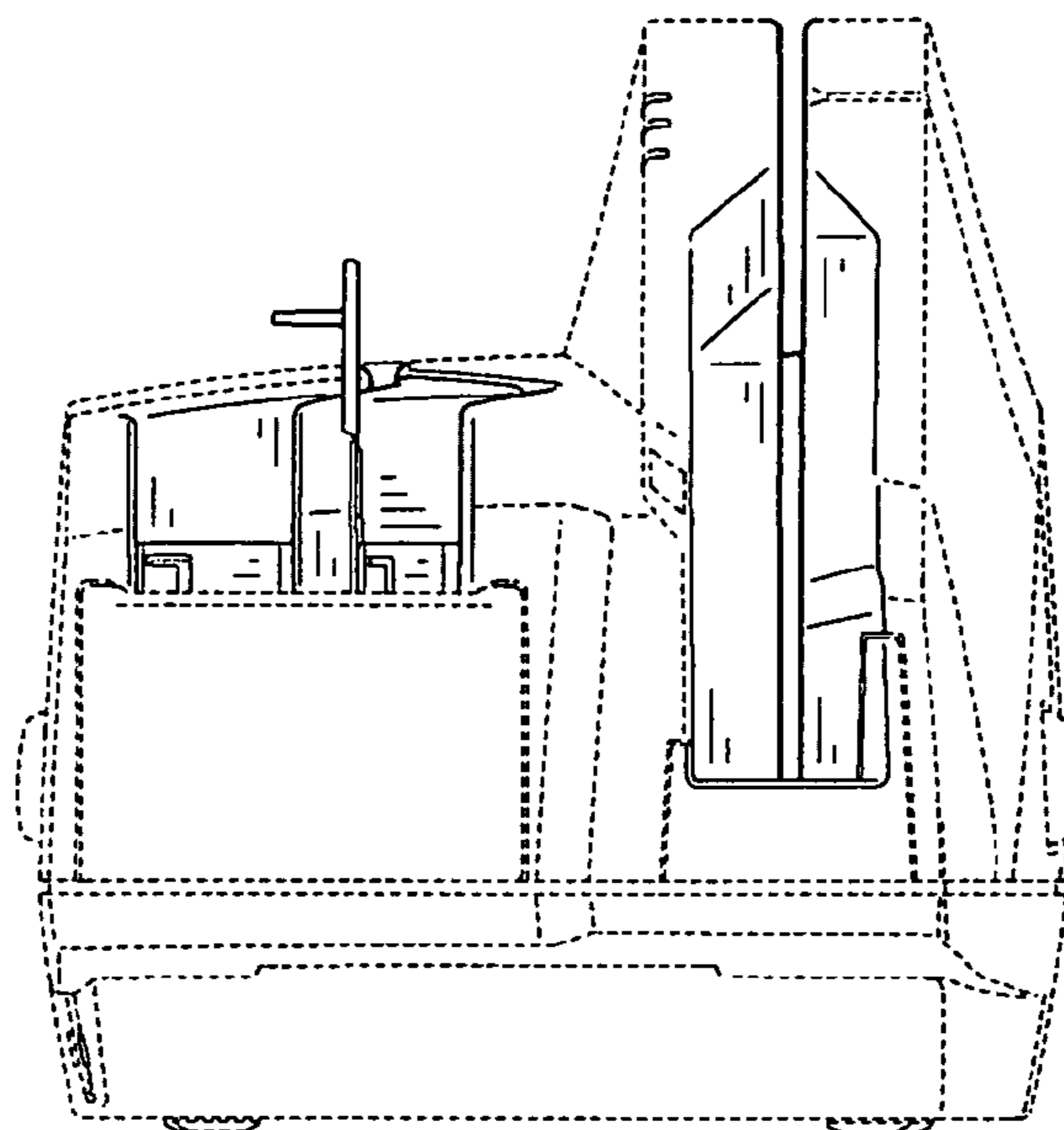


FIG. 5

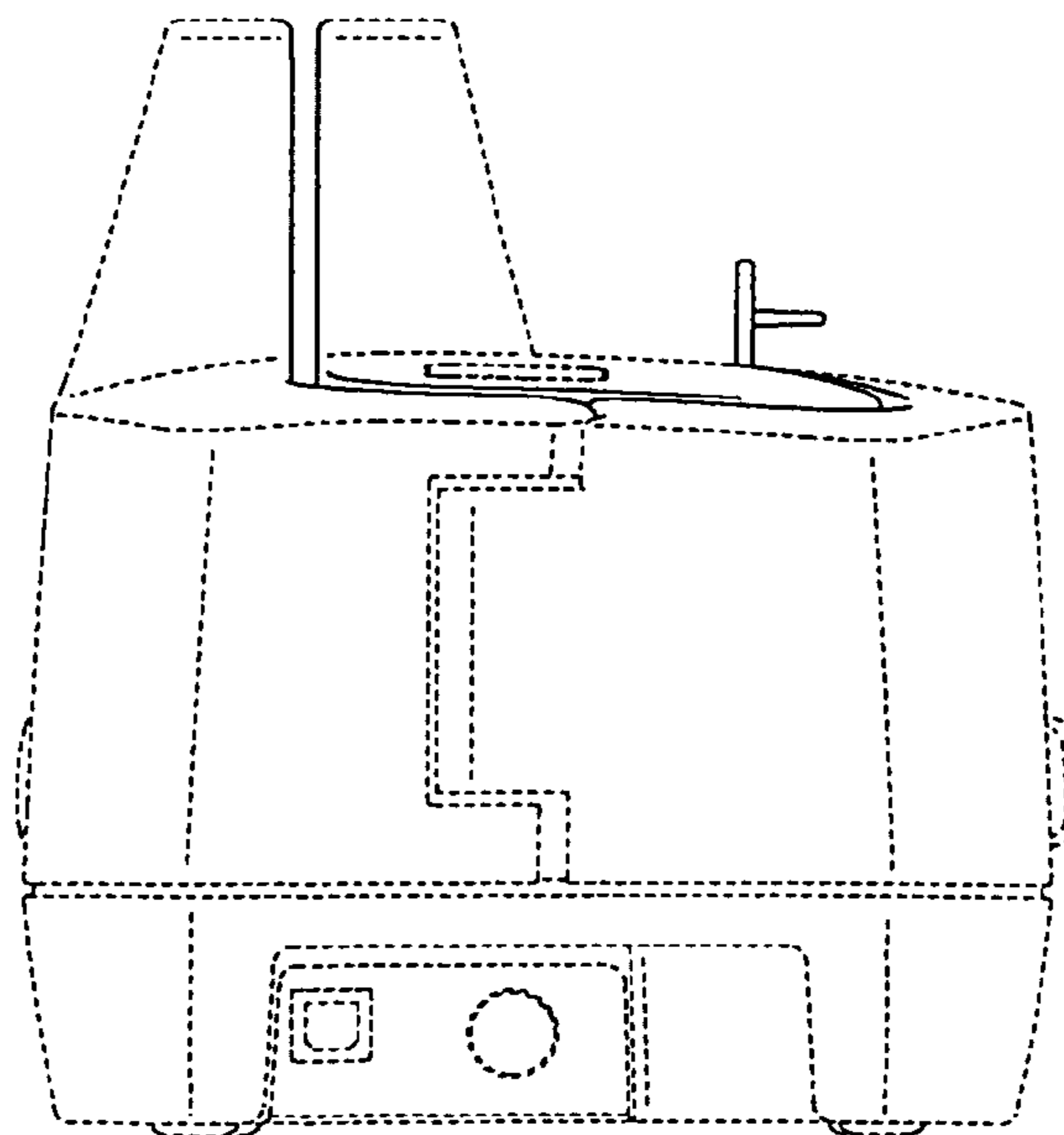


FIG. 6



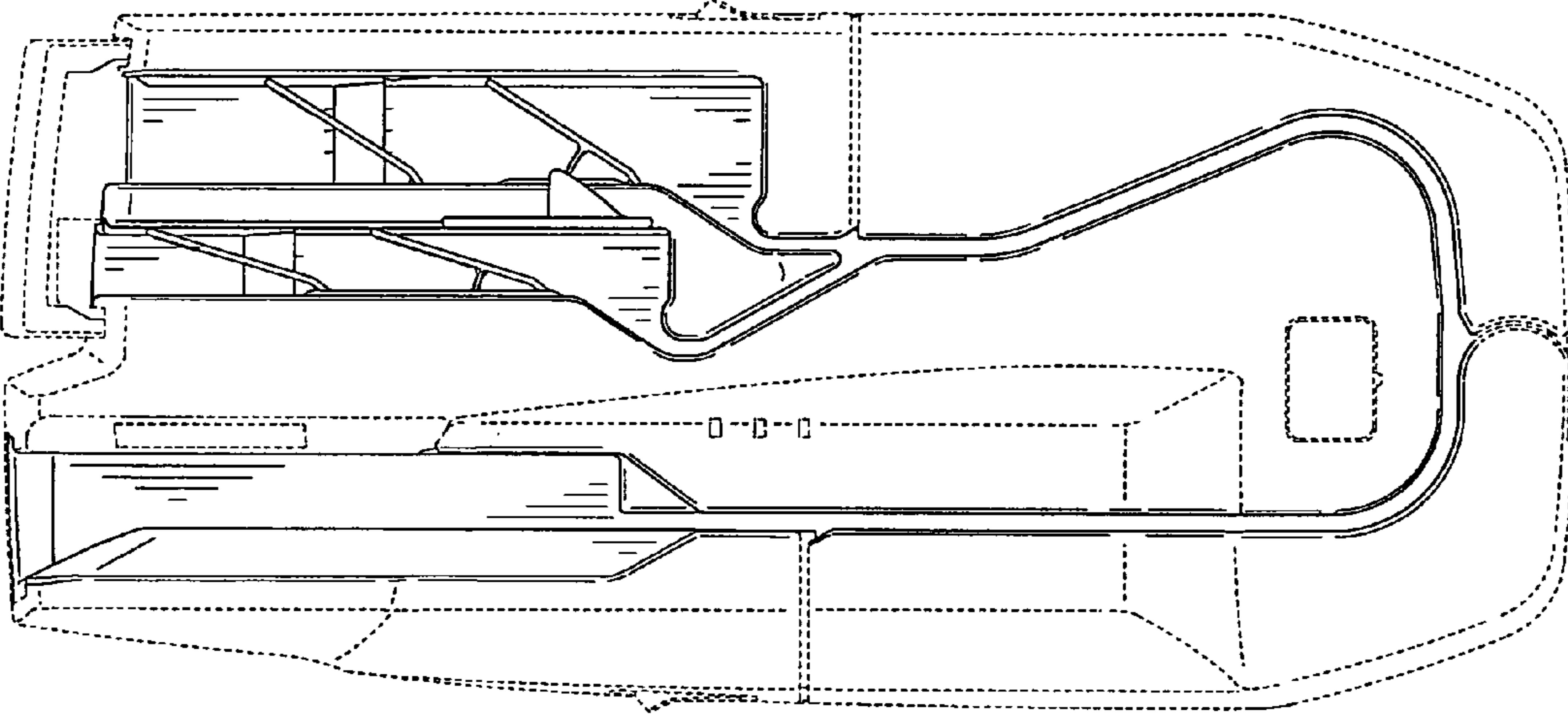


FIG. 7

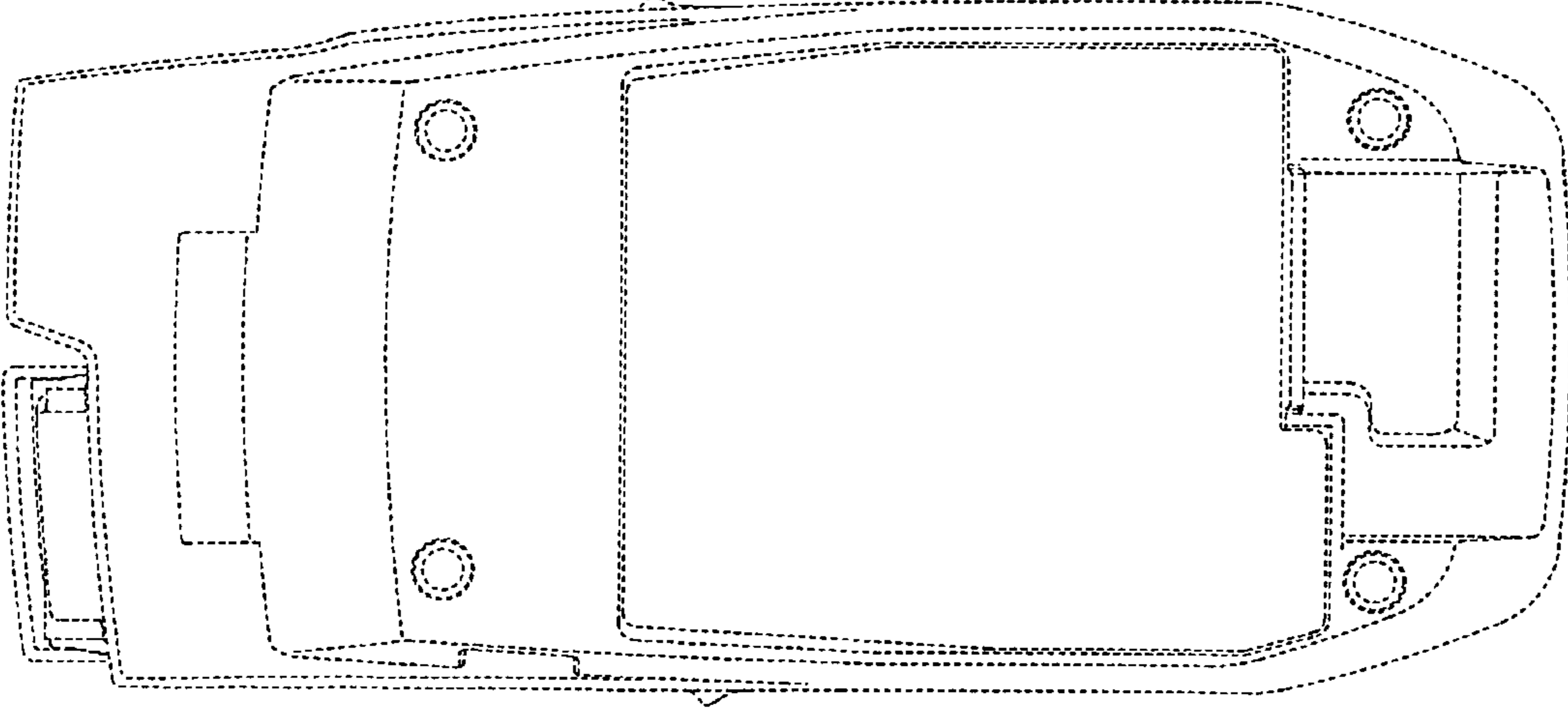


FIG. 8

UNITED STATES PATENT AND TRADEMARK OFFICE  
**CERTIFICATE OF CORRECTION**

PATENT NO. : Des. 595,716 S  
APPLICATION NO. : 29/312904  
DATED : July 7, 2009  
INVENTOR(S) : Seiji Kimura et al.

Page 1 of 1

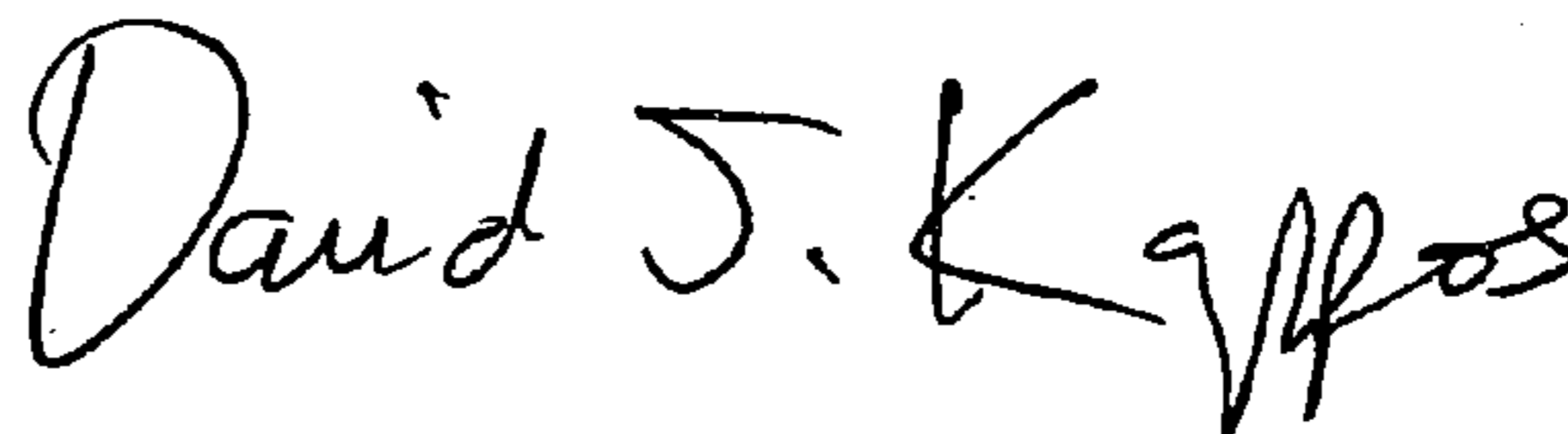
It is certified that error appears in the above-identified patent and that said Letters Patent is hereby corrected as shown below:

Title Page; item (30);

Section "Foreign Application Priority Data" "April 12, 2006" should be  
--December 4, 2006--

Signed and Sealed this

Twenty-second Day of September, 2009



David J. Kappos  
*Director of the United States Patent and Trademark Office*