



US00D595713S

(12) **United States Design Patent**
Liu

(10) **Patent No.:** **US D595,713 S**
(45) **Date of Patent:** **** Jul. 7, 2009**

(54) **COMPUTER FRAME**

(75) Inventor: **Han Liu**, Fremont, CA (US)

(73) Assignee: **Antec, Incorporated**, Fremont, CA (US)

(**) Term: **14 Years**

(21) Appl. No.: **29/290,730**

(22) Filed: **Jan. 8, 2008**

(51) **LOC (9) Cl.** **14-02**

(52) **U.S. Cl.** **D14/348; D14/356**

(58) **Field of Classification Search** D14/348–356,
D14/363–368, 440; D13/162, 184, 199;
312/223.1, 223.3; 360/99.01–99.12; 361/680–686,
361/690–696; 369/34, 36; 248/163.1; 398/140
See application file for complete search history.

(56) **References Cited**

U.S. PATENT DOCUMENTS

- 4,479,263 A * 10/1984 Rosenfeldt et al. 398/140
- D323,929 S * 2/1992 Hodson D14/440
- D349,893 S * 8/1994 Bennett D14/440

- D445,420 S * 7/2001 Maddox D14/352
- 6,549,397 B1 * 4/2003 Diaz et al. 361/683
- D515,089 S * 2/2006 Ho D14/365
- 7,359,184 B2 * 4/2008 Lord 361/683

* cited by examiner

Primary Examiner—Freda S Nunn

(74) *Attorney, Agent, or Firm*—Bacon & Thomas, PLLC

(57) **CLAIM**

The ornamental design for a computer frame, as shown.

DESCRIPTION

FIG. 1 is a perspective view of a computer frame showing my new design;

FIG. 2 is a front view thereof;

FIG. 3 is a rear view thereof;

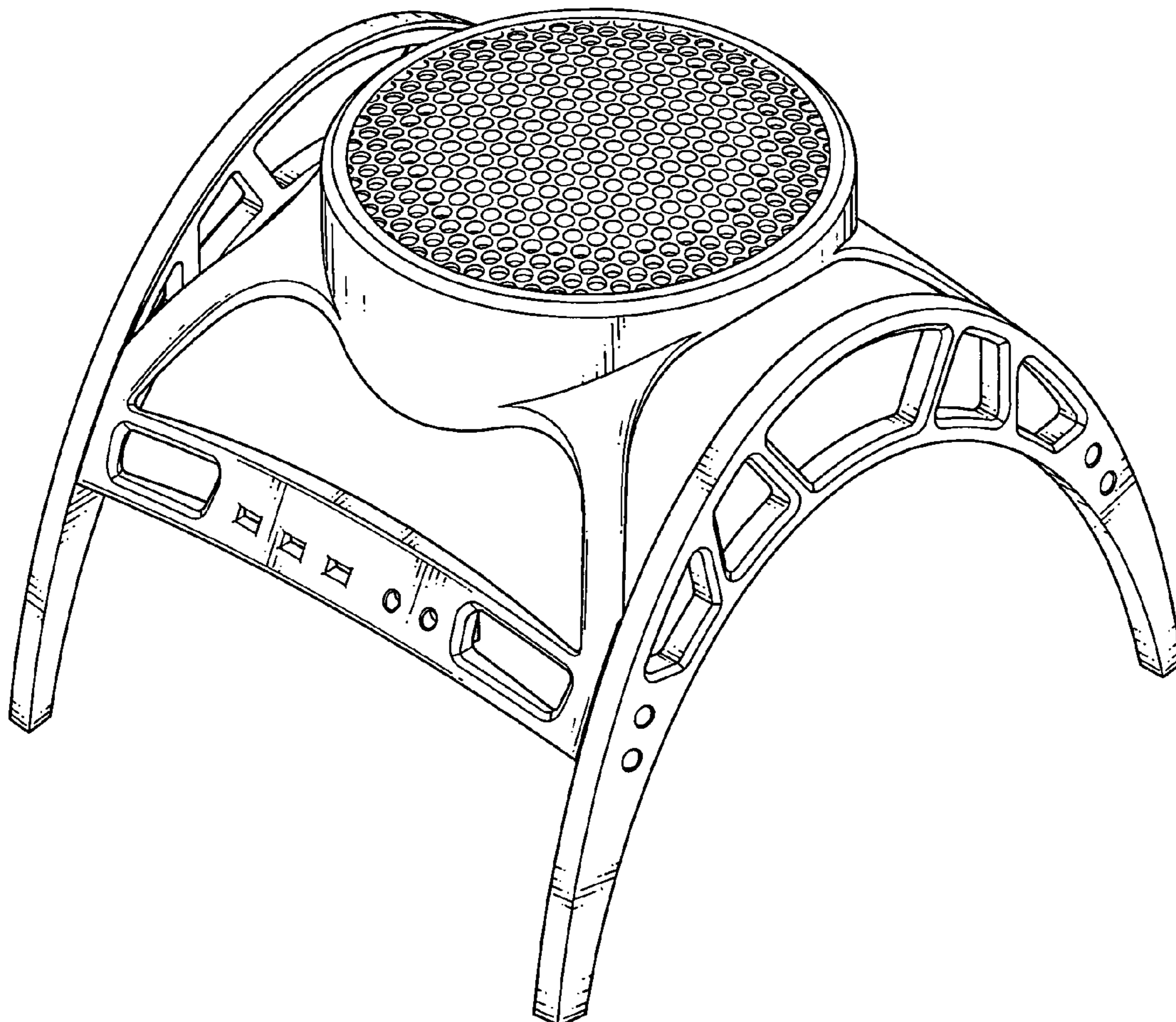
FIG. 4 is a left view thereof;

FIG. 5 is a right view thereof;

FIG. 6 is a top view thereof; and,

FIG. 7 is a bottom view thereof.

1 Claim, 7 Drawing Sheets



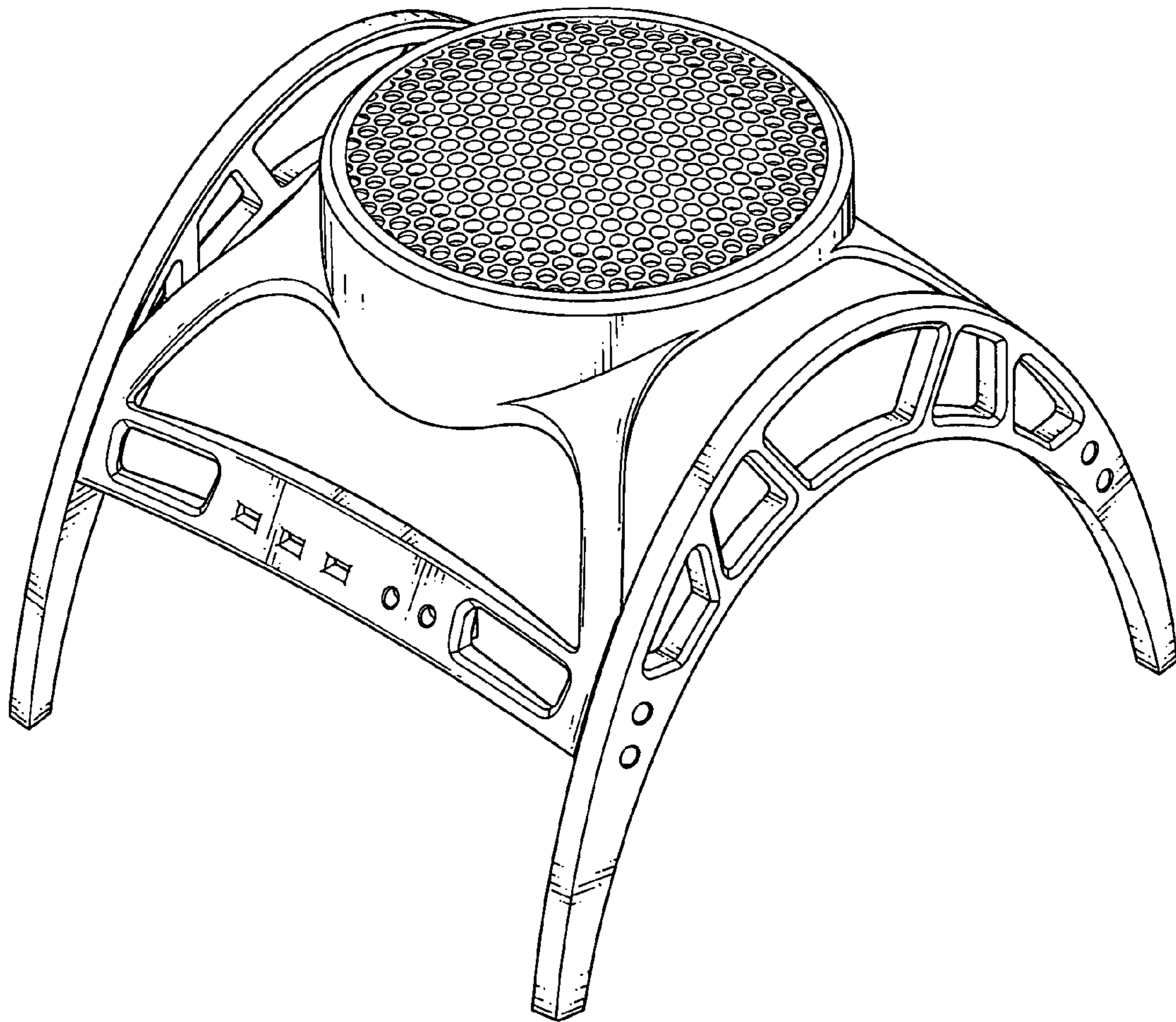


FIG. 1

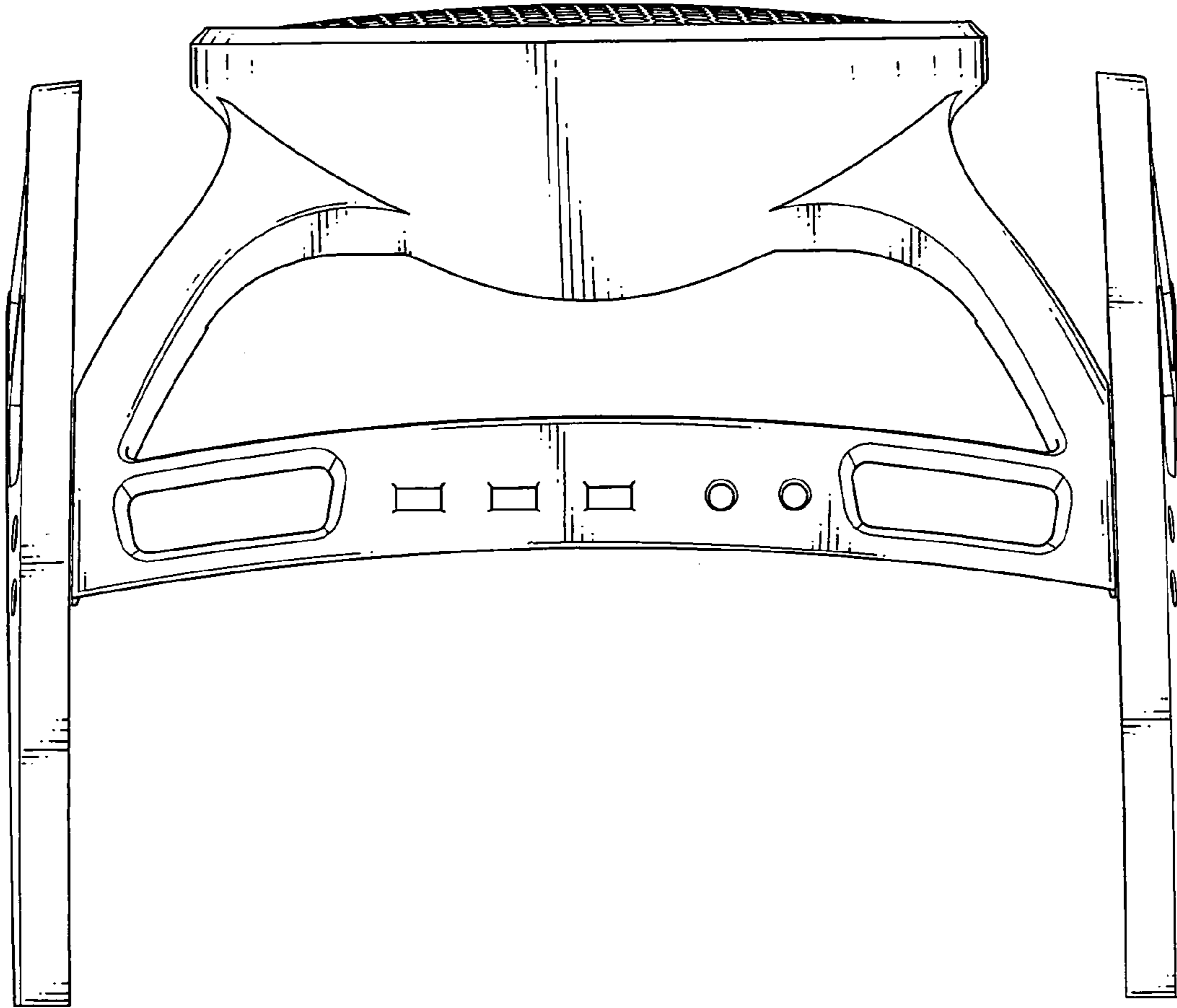


FIG. 2

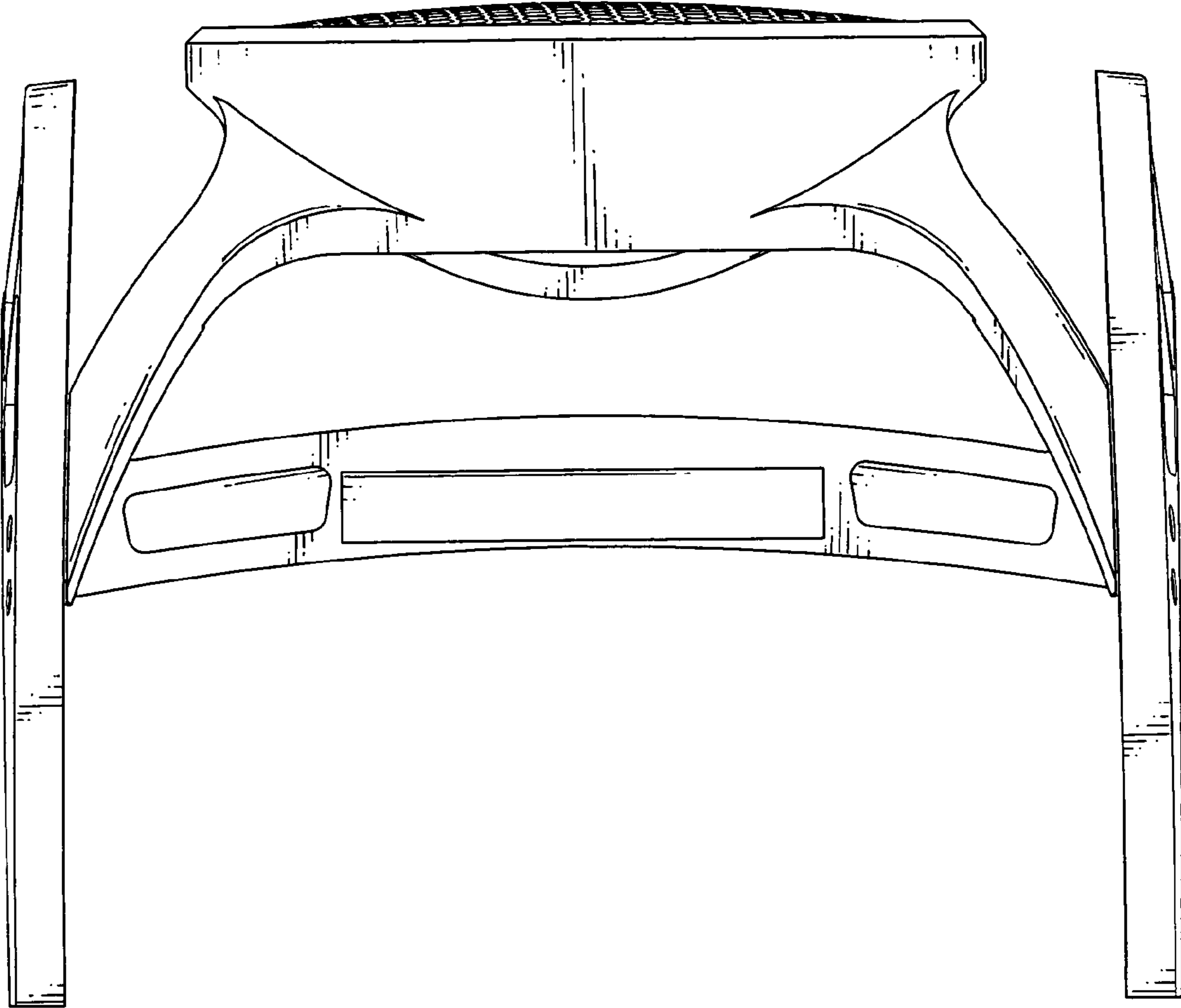


FIG. 3

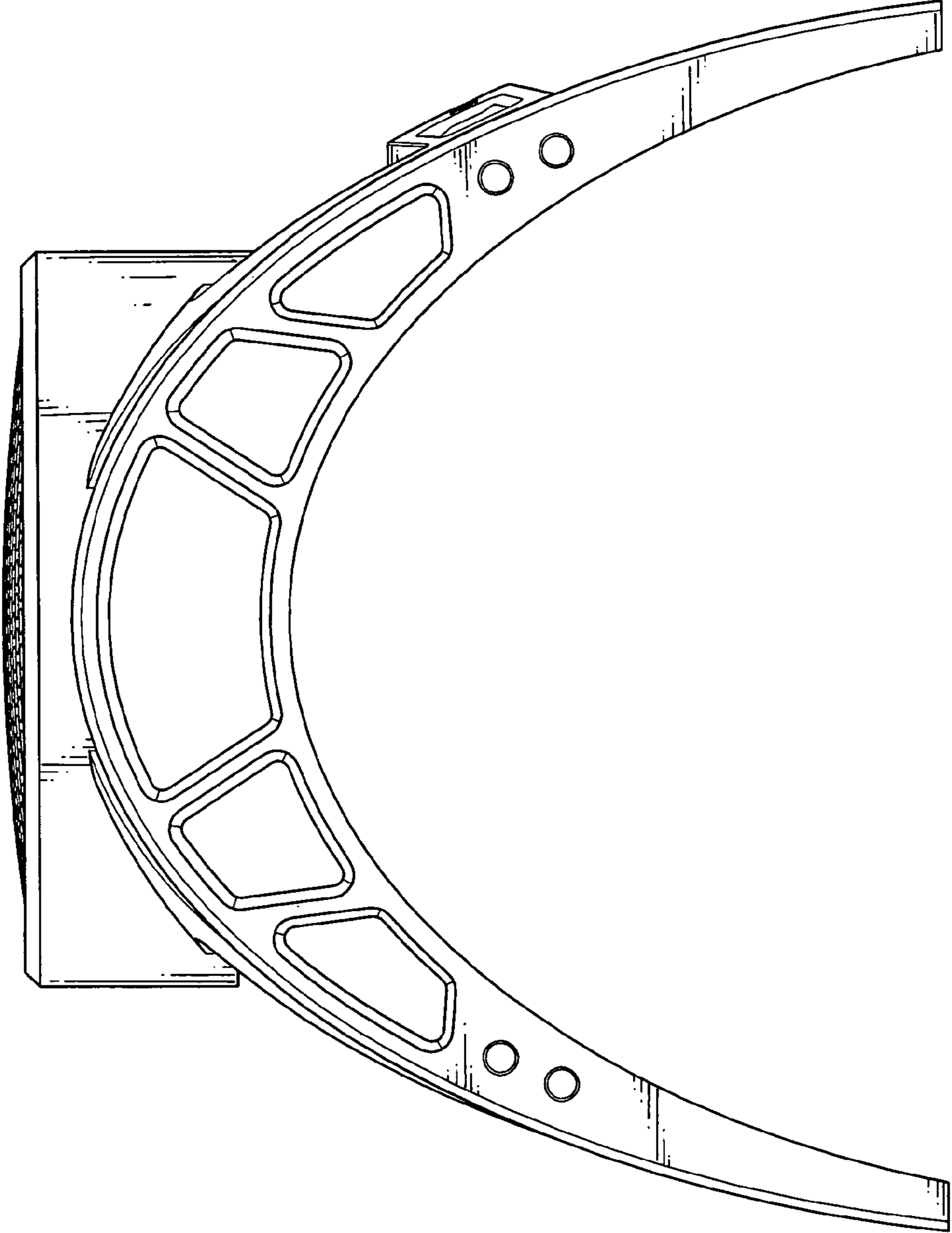


FIG. 4

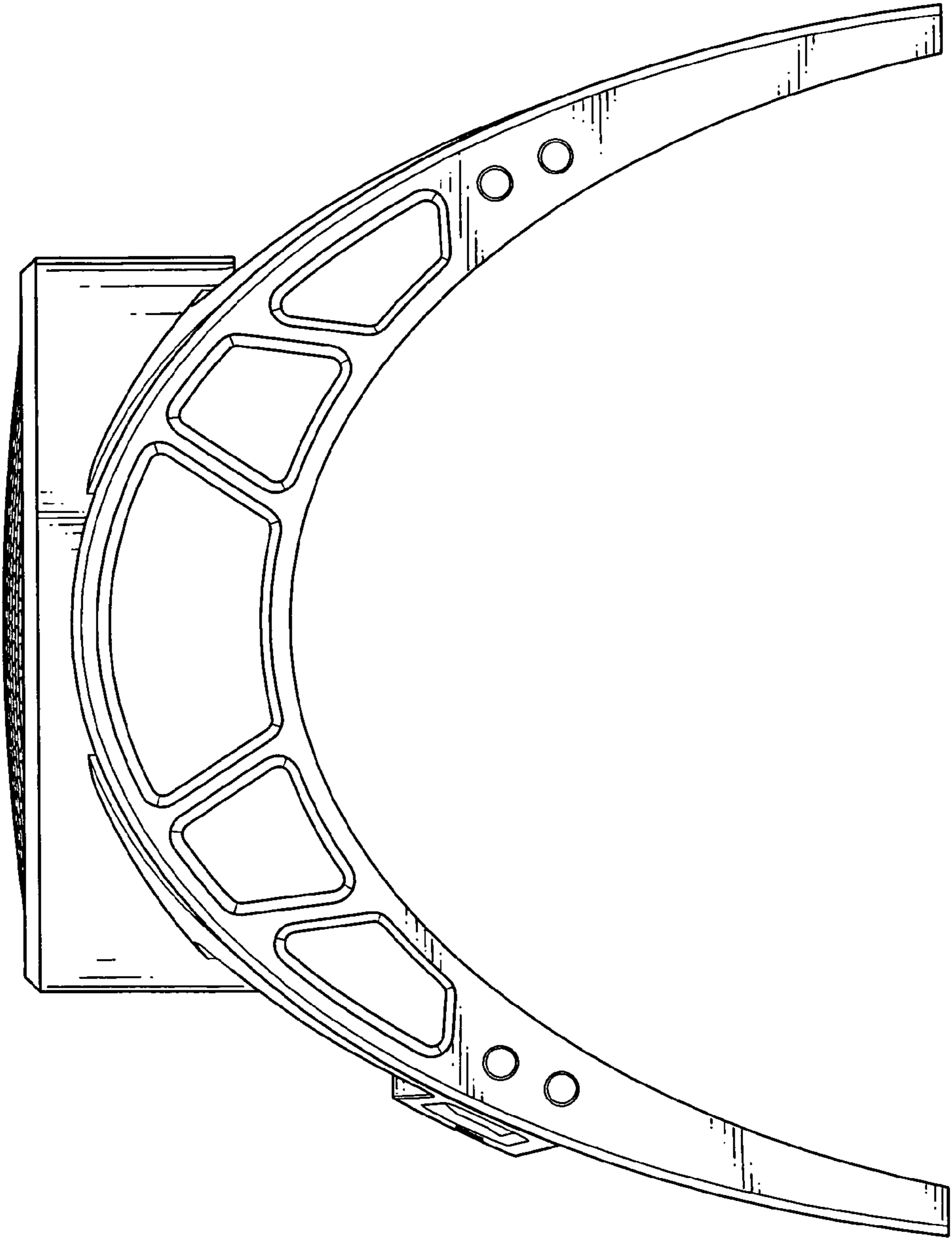


FIG. 5

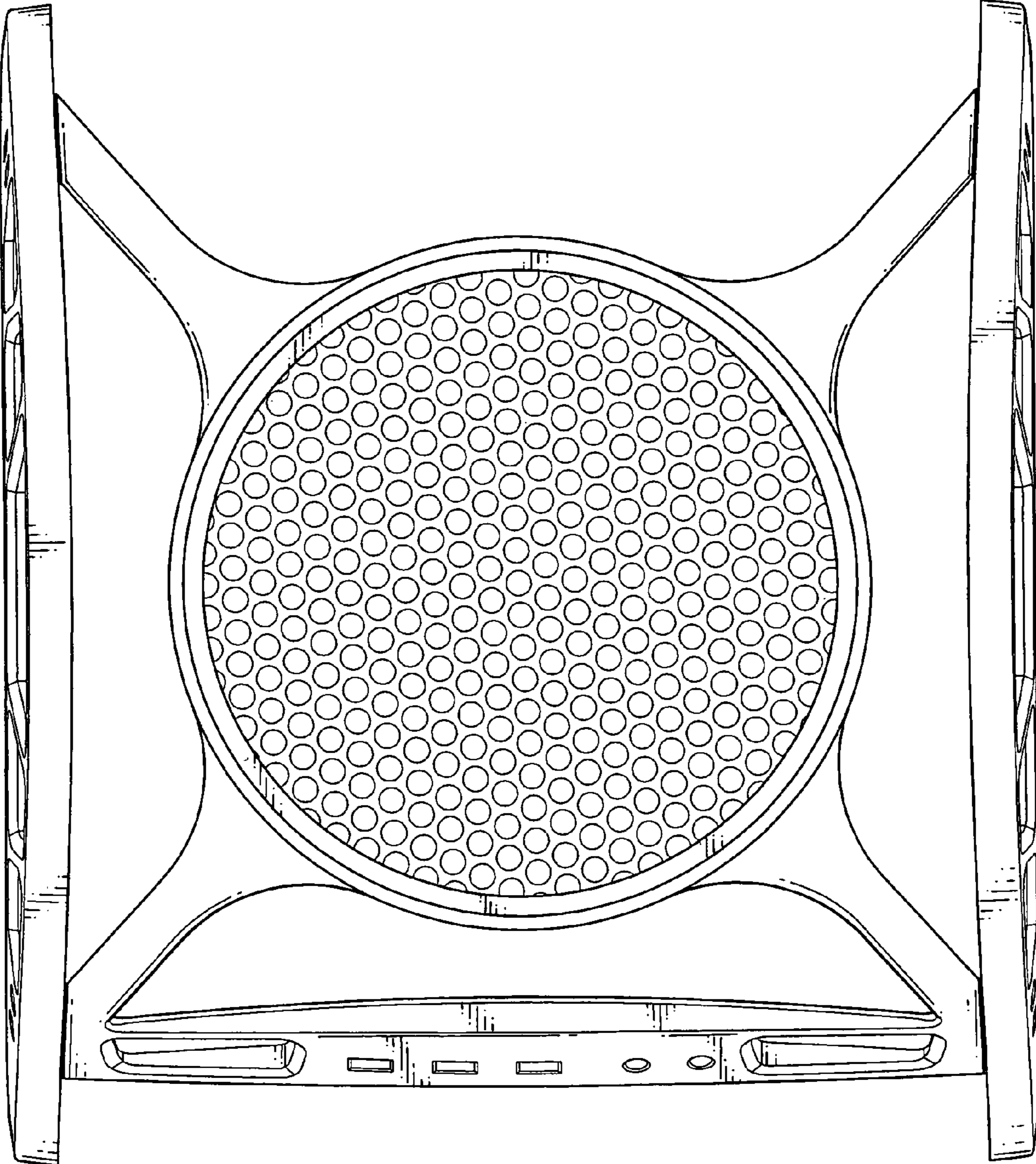


FIG. 6

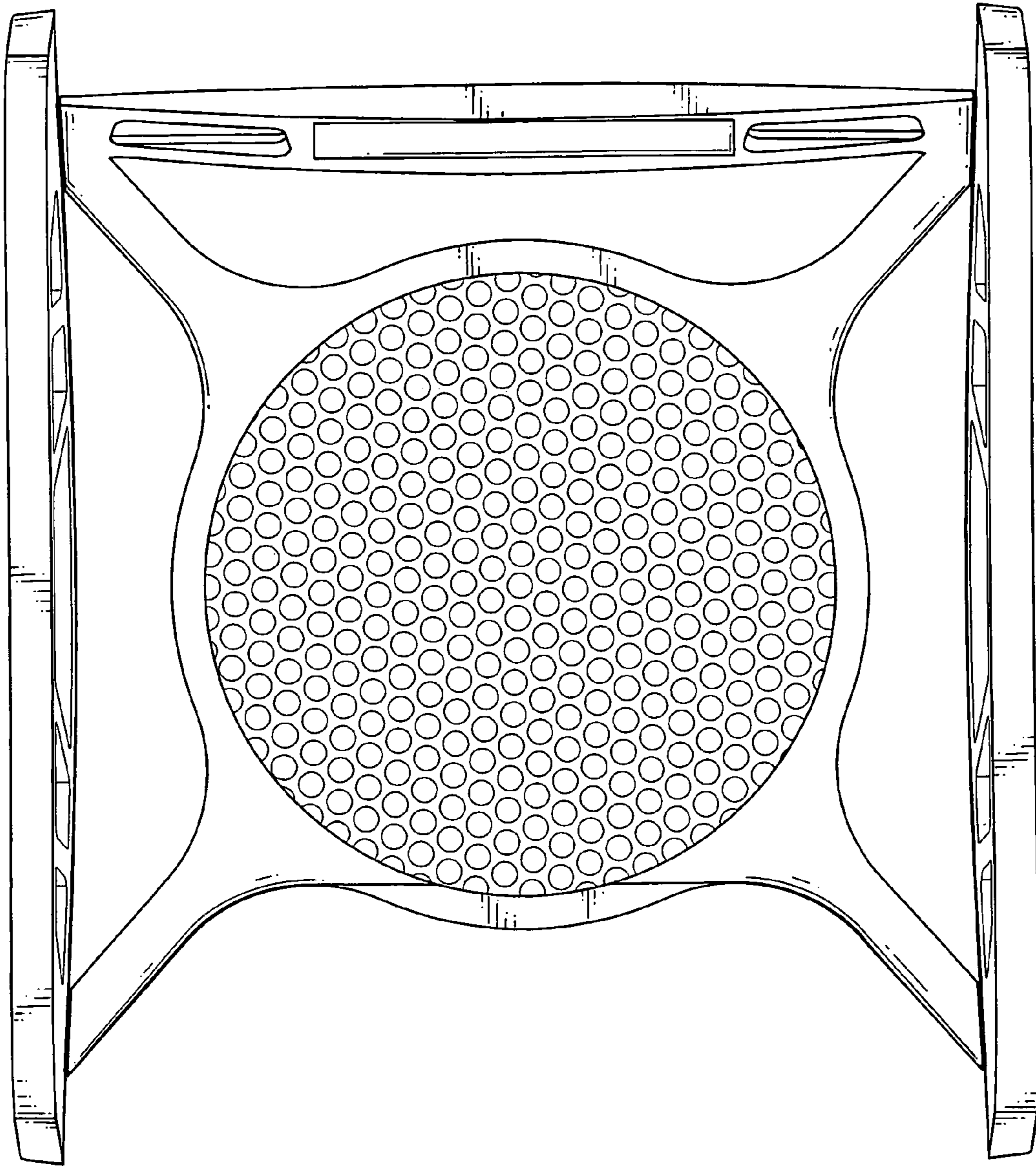


FIG. 7