

US00D595711S

(12) **United States Design Patent**
Yoon et al.

(10) **Patent No.:** **US D595,711 S**
(45) **Date of Patent:** **** Jul. 7, 2009**

(54) **MOBILE PERSONAL COMPUTER**

D572,266 S * 7/2008 Anderson et al. D14/496
2008/0039159 A1* 2/2008 Joo et al. 455/575.4

(75) Inventors: **Sang-Won Yoon**, Seoul (KR);
Myung-Jung Kim, Suwon-si (KR)

* cited by examiner

(73) Assignee: **Samsung Electronics Co., Ltd.**,
Suwon-Si (KR)

Primary Examiner—Cathron C Brooks

Assistant Examiner—Barbara Fox

(**) Term: **14 Years**

(74) *Attorney, Agent, or Firm*—Staas & Halsey LLP

(21) Appl. No.: **29/290,660**

(57) **CLAIM**

(22) Filed: **Dec. 31, 2007**

The ornamental design for a mobile personal computer, as shown and described.

(51) **LOC (9) Cl.** **14-02**

(52) **U.S. Cl.** **D14/341**

(58) **Field of Classification Search** D14/341,
D14/342, 343, 344, 345, 346, 347, 420, 426,
D14/427, 432, 439, 440, 441, 448, 496, 125,
D14/137, 129, 130, 138, 250, 389, 147, 218,
D14/247, 248, 156; D10/65, 78, 104, 46;
D13/168; D18/6, 7; D21/329, 686; D6/596,
D6/601, 605; 455/90.3, 556.1, 556.2, 575.1,
455/575.3, 575.4; 379/433.01, 433.04, 433.06,
379/433.07; 361/814; 341/22; 345/169,
345/173

See application file for complete search history.

DESCRIPTION

FIG. 1 is a perspective view of a mobile personal computer according to our new design;

FIG. 2 is a front elevational view thereof;

FIG. 3 is a rear elevational view thereof;

FIG. 4 is a left side elevational view thereof;

FIG. 5 is a right side elevational view thereof;

FIG. 6 is a top plan view thereof; and,

FIG. 7 is a bottom plan view thereof.

The broken lines shown in the drawing represent unclaimed portions of the mobile personal computer and form no part of the claimed design.

(56) **References Cited**

U.S. PATENT DOCUMENTS

D492,323 S * 6/2004 Wang D14/496

1 Claim, 4 Drawing Sheets

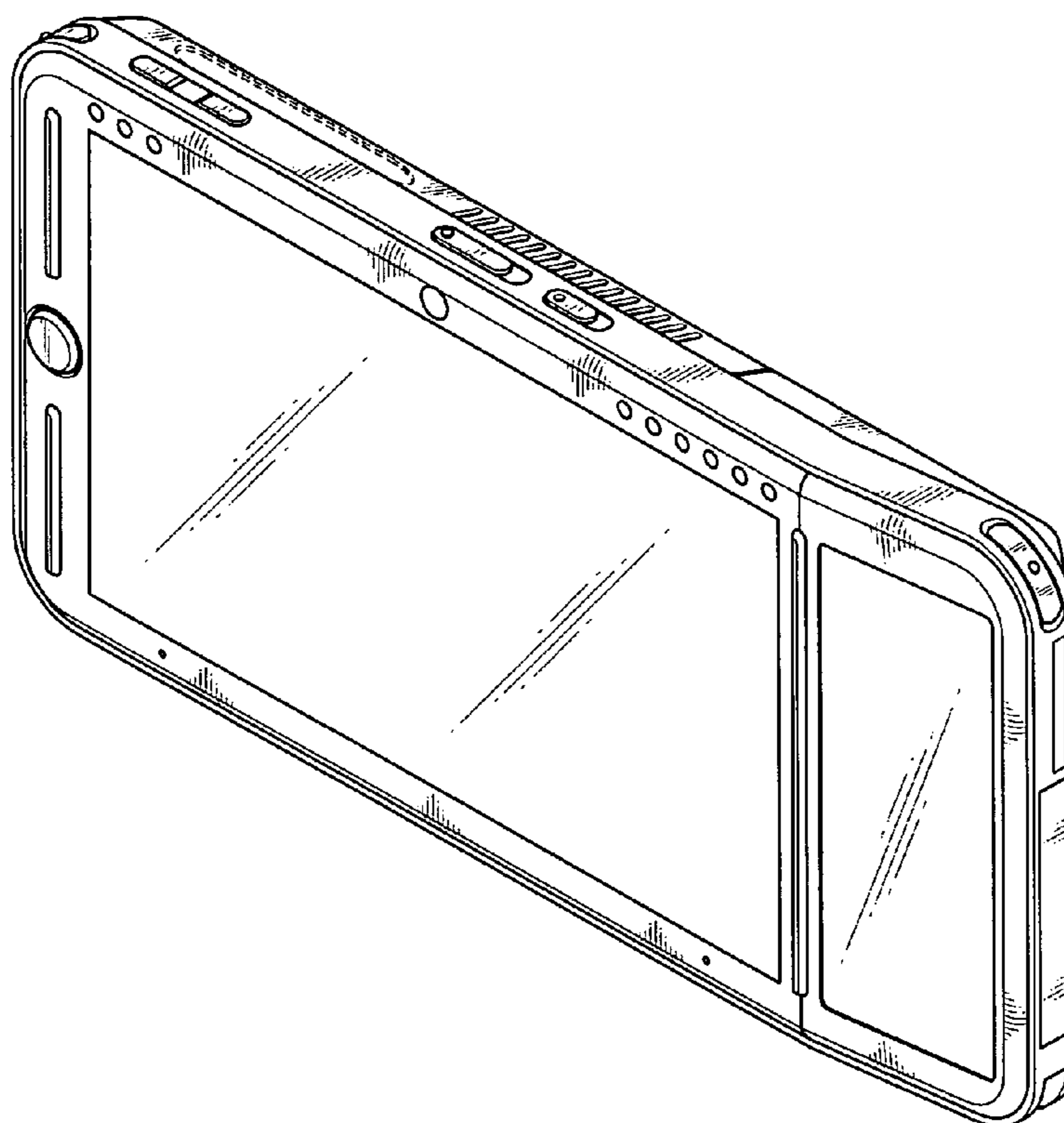


FIG. 1

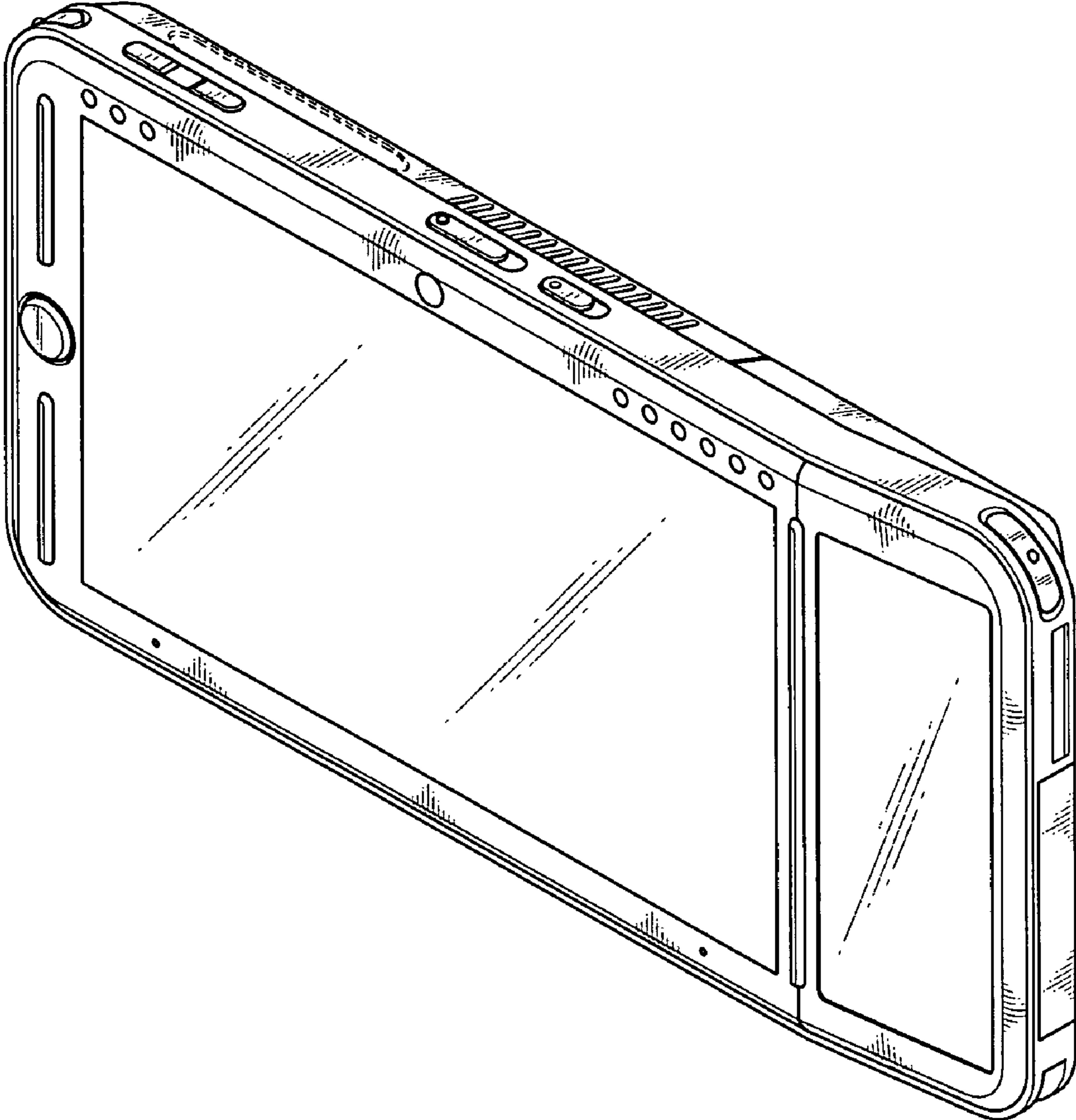


FIG.2

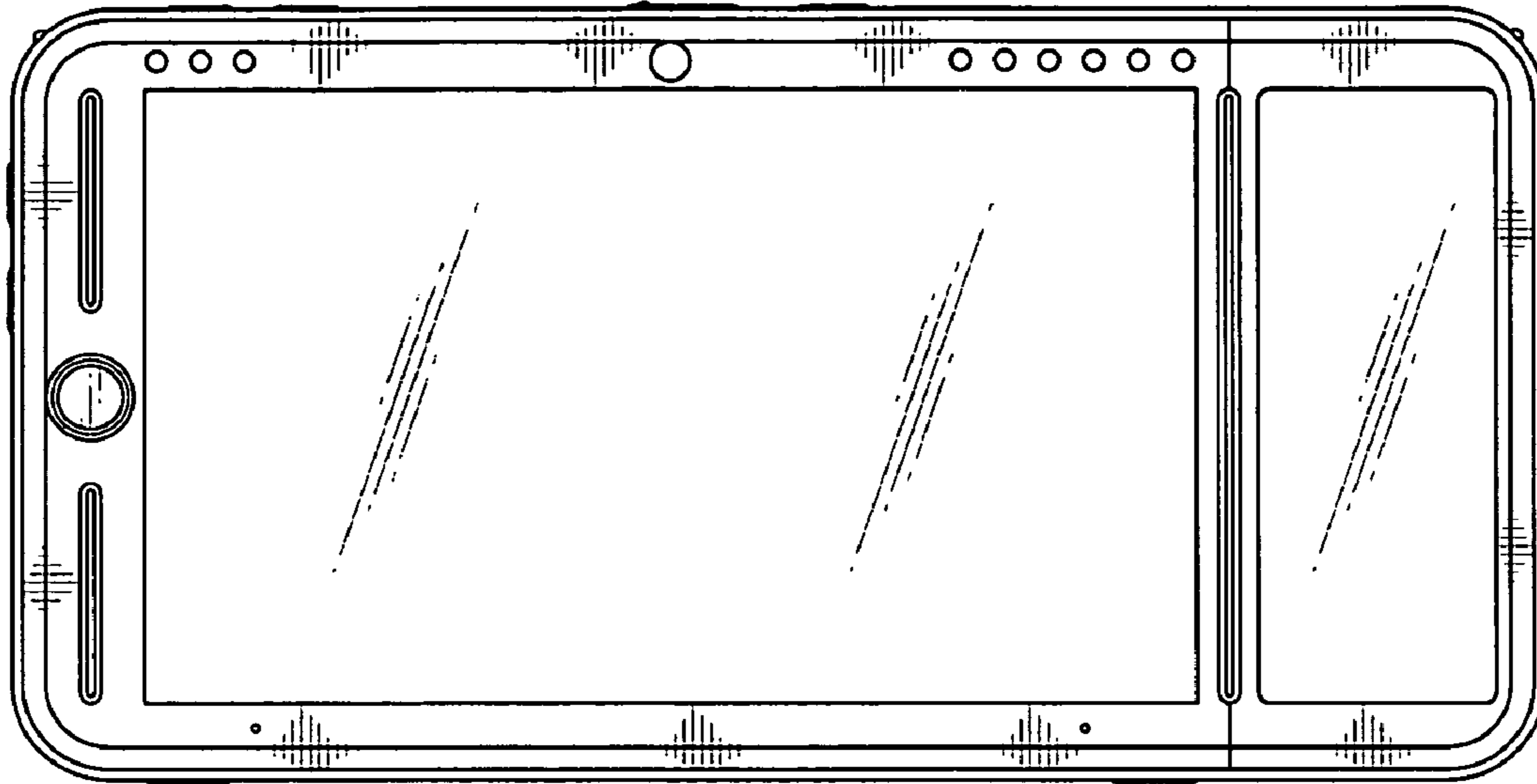


FIG.3

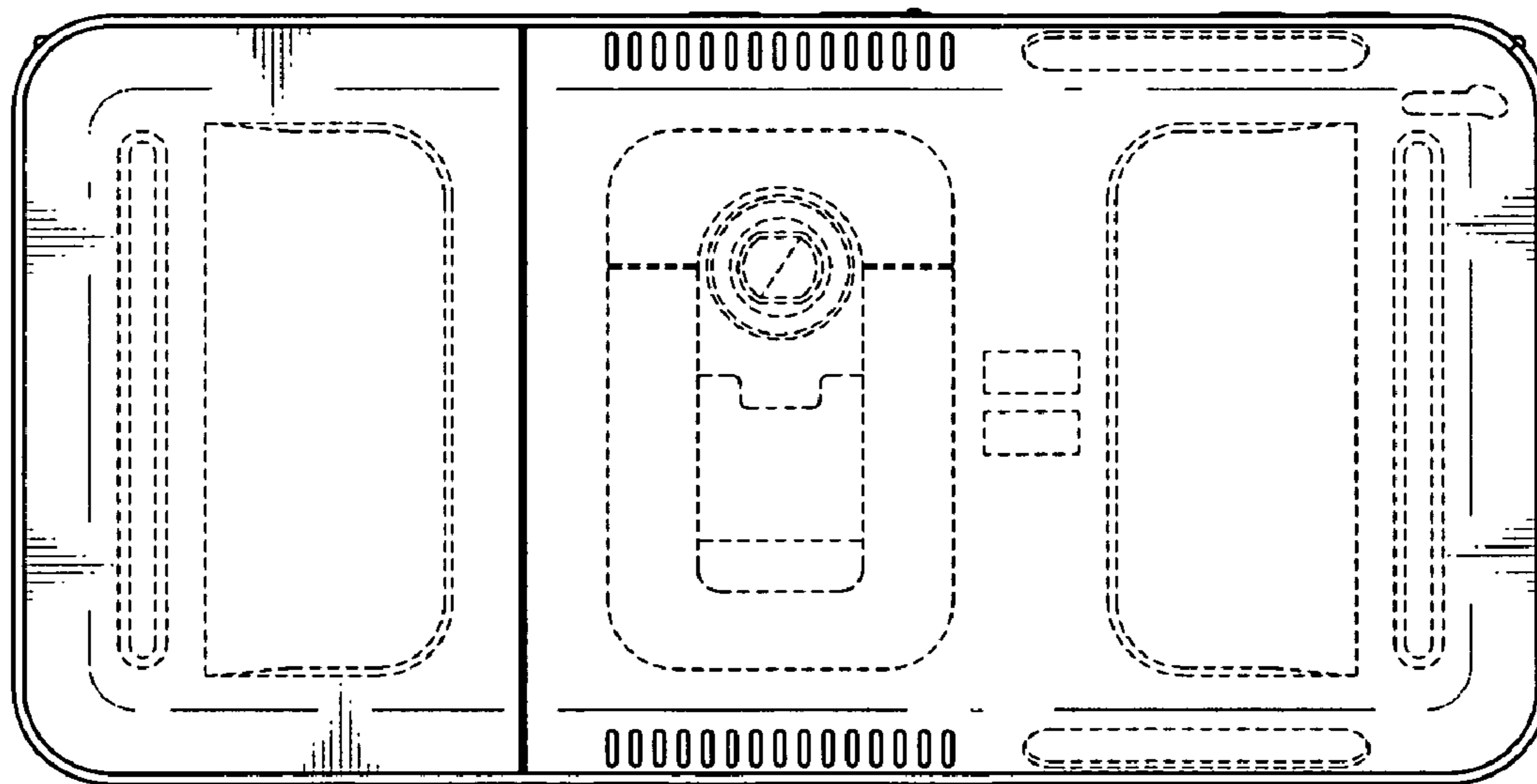


FIG.4

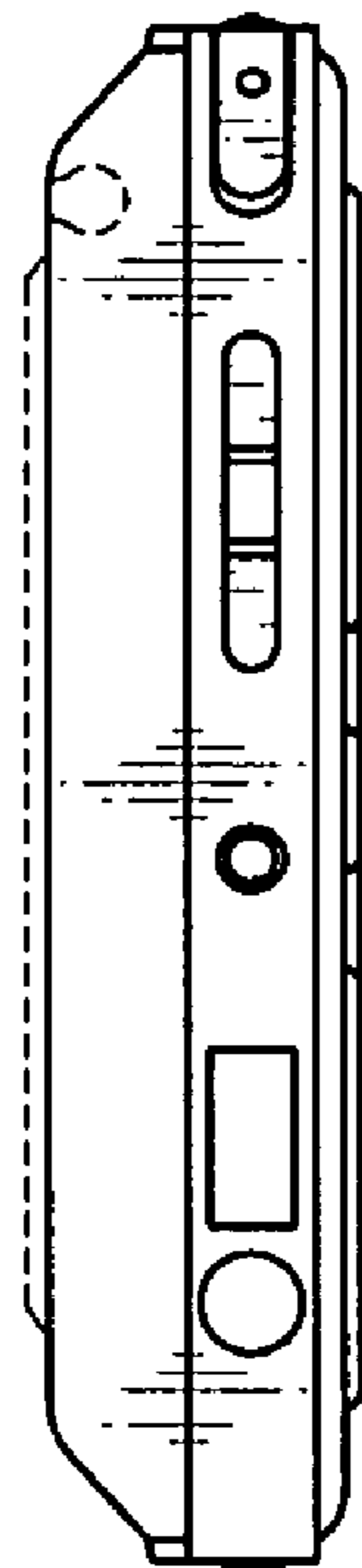


FIG.5

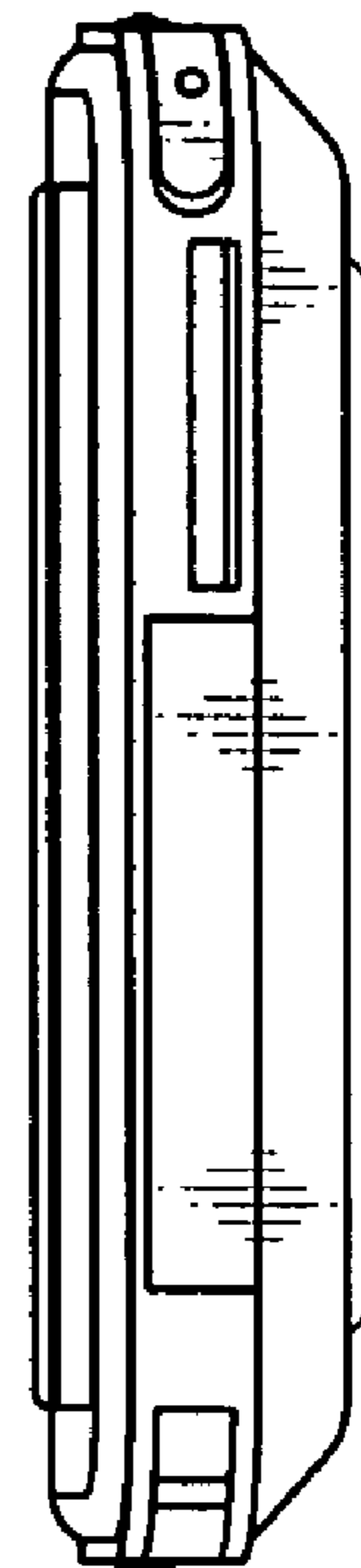


FIG.6

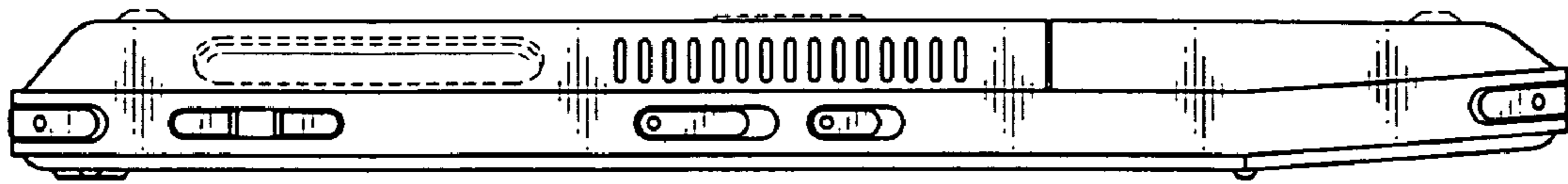


FIG.7

