



US00D595710S

(12) **United States Design Patent**
Harrington

(10) **Patent No.:** **US D595,710 S**

(45) **Date of Patent:** **** Jul. 7, 2009**

(54) **AUDIO ADAPTER PLATE FOR AN
AUTOMOBILE RADIO**

(75) **Inventor:** **Steven L. Harrington**, 13831 Roswell
Ave., Suite J, Chino, CA (US) 91710

(73) **Assignee:** **Steven L. Harrington**, Chino, CA (US)

(**) **Term:** **14 Years**

(21) **Appl. No.:** **29/321,983**

(22) **Filed:** **Jul. 28, 2008**

(51) **LOC (9) Cl.** **14-01**

(52) **U.S. Cl.** **D14/258**

(58) **Field of Classification Search** D14/258,
D14/257, 224, 217, 198, 197, 188, 17, 170,
D14/168, 167, 164, 162, 161, 160, 157, 156,
D14/136, 135, 415, 418, 400, 195; 720/691,
720/658, 270; 455/344, 575.1; 396/434,
396/93; 386/1; 369/75.1; 360/47, 4; 359/550,
359/258; 349/460, 159, 10

See application file for complete search history.

(56) **References Cited**

U.S. PATENT DOCUMENTS

D394,845 S * 6/1998 Hirsbrunner et al. D13/184
D444,136 S * 6/2001 Sogabe D14/511
D462,951 S * 9/2002 Storti et al. D14/257
D500,997 S * 1/2005 Nakamura D14/505

D521,991 S * 5/2006 Storti et al. D14/257
D531,627 S * 11/2006 Oono D14/506
D537,435 S * 2/2007 Oikawa D14/188
D541,795 S * 5/2007 Kimura et al. D14/258
D544,860 S * 6/2007 Kimura et al. D14/258
2003/0083039 A1 * 5/2003 Shimizu et al. 455/347

* cited by examiner

Primary Examiner—Caron Veynar
Assistant Examiner—Katrina A Kile

(57) **CLAIM**

The ornamental design for an audio adapter plate for an automobile radio, as shown and described.

DESCRIPTION

FIG. 1 is a perspective view of an audio adapter plate for an automobile radio, showing my new design;

FIG. 2 is a perspective view thereof;

FIG. 3 is a front elevational view, the rear elevational view being a mirror image thereof;

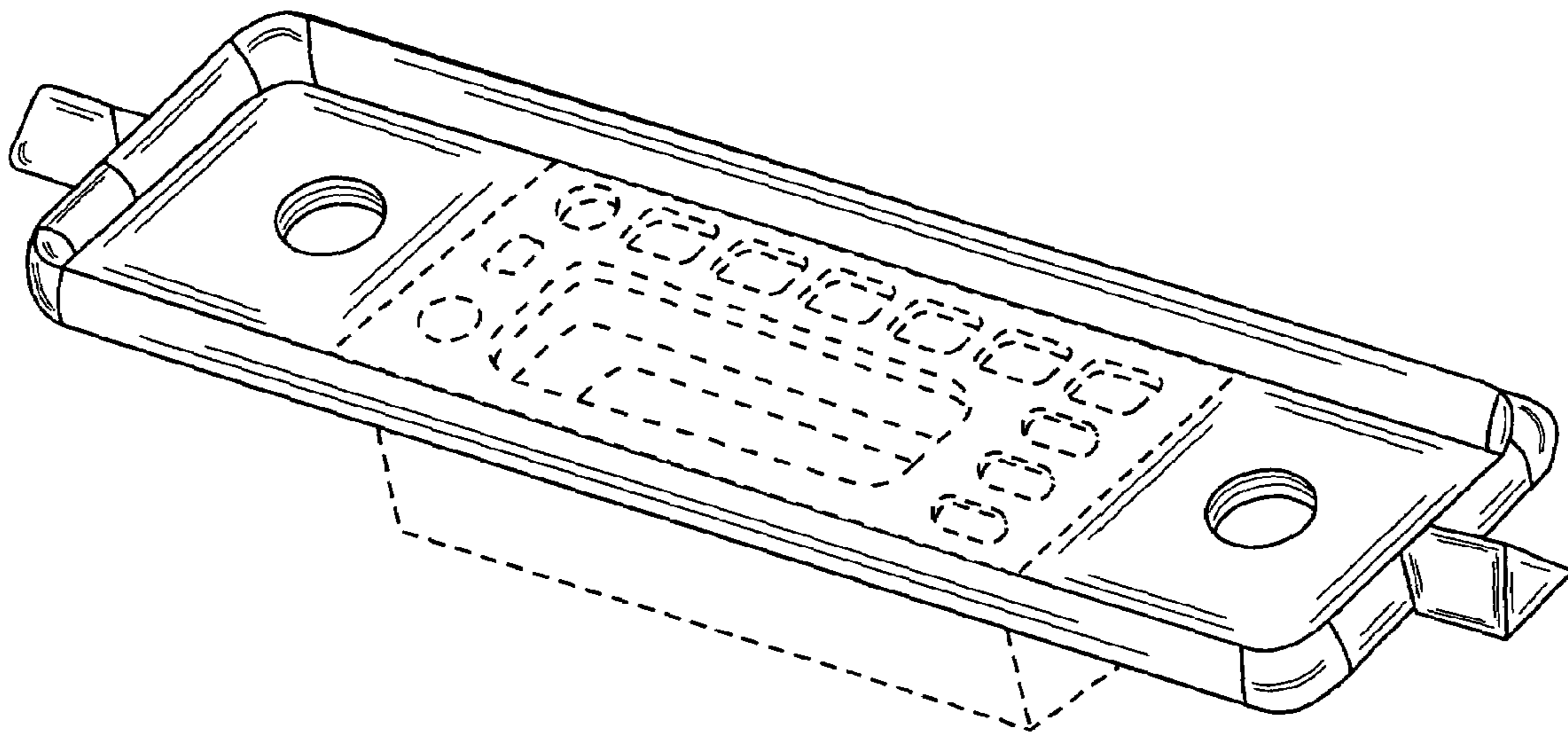
FIG. 4 is a left-side elevational view, the right-side elevational view being a mirror image thereof;

FIG. 5 is a top plan view thereof; and,

FIG. 6 is a bottom plan view thereof.

The broken lines in FIGS. 1,2,3,5,6 show portions of a radio that form no part of the claimed design.

1 Claim, 2 Drawing Sheets



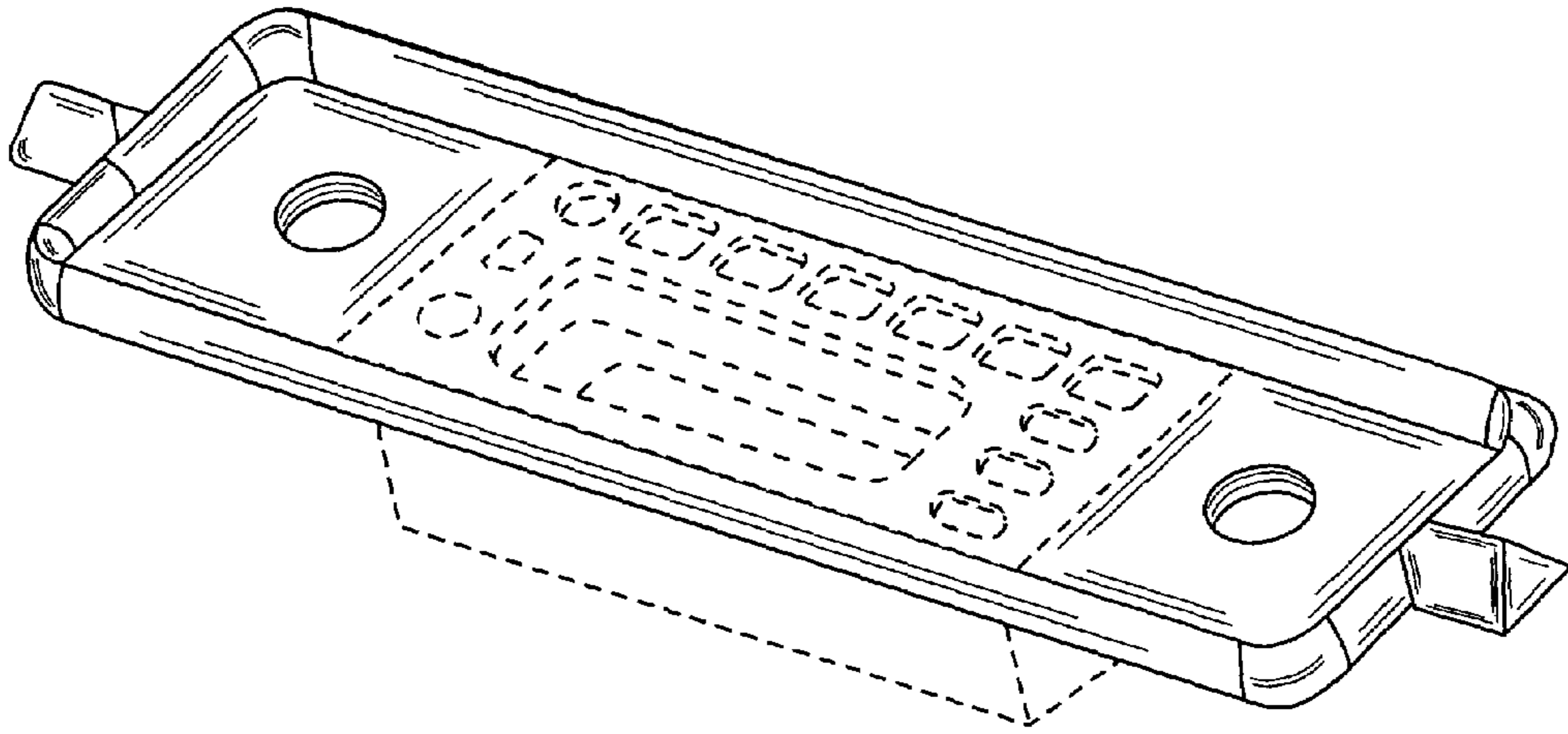


FIG. 1

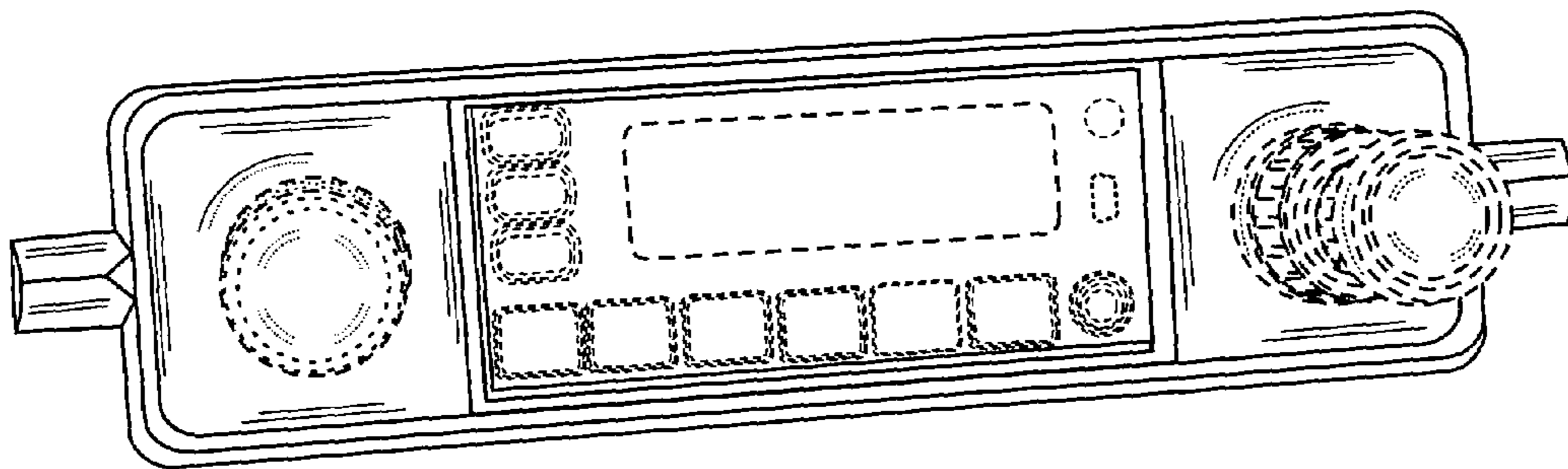


FIG. 2

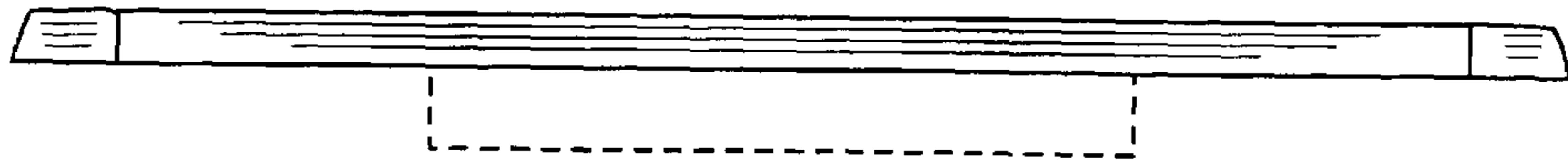


FIG. 3



FIG. 4

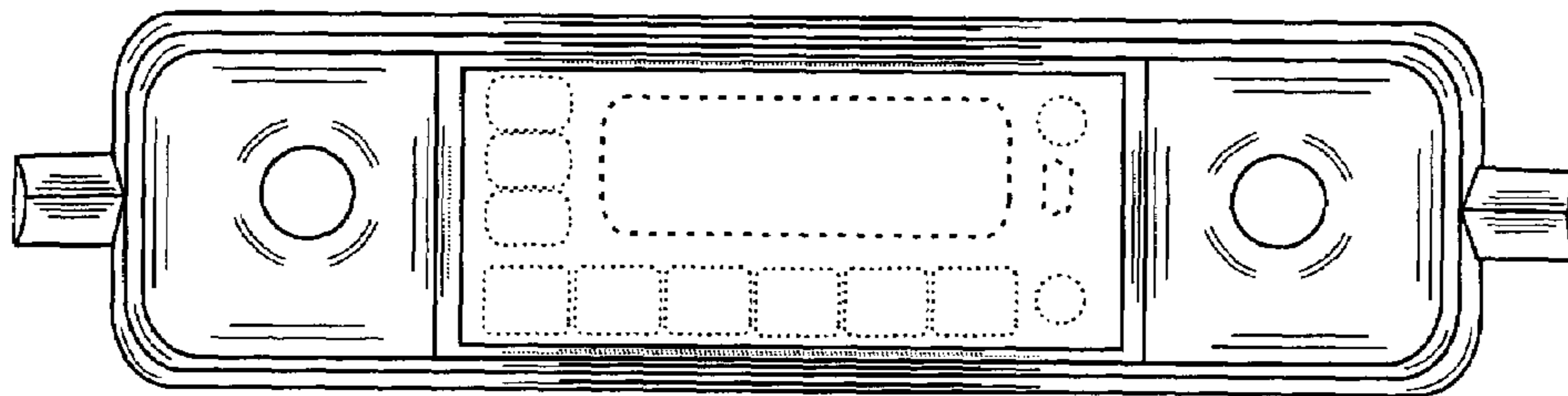


FIG. 5

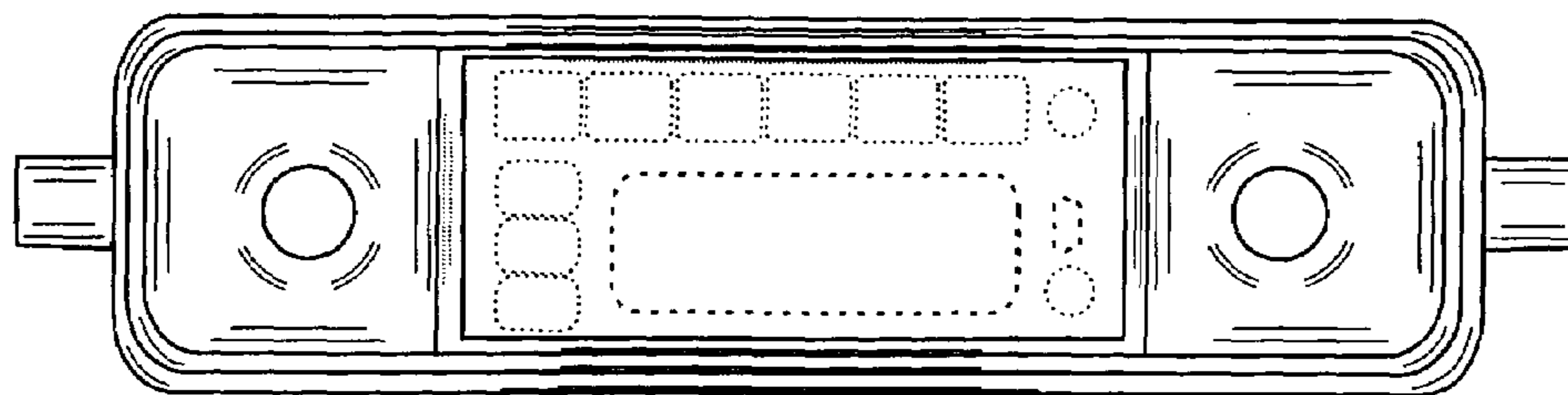


FIG. 6