

US00D595707S

(12) **United States Design Patent**  
**Miles et al.**

(10) **Patent No.:** **US D595,707 S**  
(45) **Date of Patent:** **\*\* Jul. 7, 2009**

(54) **HANDSET**

(75) Inventors: **Luke Miles**, London (GB); **Rachael Sleight**, London (GB)

(73) Assignee: **Nokia Corporation**, Espoo (FI)

(\*\*) Term: **14 Years**

(21) Appl. No.: **29/299,240**

(22) Filed: **Dec. 20, 2007**

(30) **Foreign Application Priority Data**

Jun. 20, 2007 (FI) ..... M20070121

(51) **LOC (9) Cl.** ..... **14-03**

(52) **U.S. Cl.** ..... **D14/248**

(58) **Field of Classification Search** ..... D14/247–248,  
D14/138 R, 138 AD, 138 C, 138 G, 191,  
D14/203.1–203.8, 496, 144, 244, 432, 439,  
D14/455, 456, 138 AA, 138 AB, 138 AC,  
D14/137, 147, 218, 341–347; D10/65, 78,  
D10/104; D13/168; D18/7; 455/566, 575.1,  
455/575.3; 345/169

See application file for complete search history.

(56) **References Cited**

**U.S. PATENT DOCUMENTS**

- D445,409 S \* 7/2001 Segers ..... D14/138 AD
- D528,532 S \* 9/2006 Dimitriadis et al. .. D14/138 AD
- D529,045 S \* 9/2006 Shin ..... D14/203.7
- D532,002 S \* 11/2006 Johansson ..... D14/247
- D533,563 S \* 12/2006 Kwon et al. .... D14/203.7
- D535,275 S \* 1/2007 Kim et al. .... D14/138 AD
- D536,691 S \* 2/2007 Park ..... D14/138 AD
- D541,781 S \* 5/2007 Chen ..... D14/138 AA
- D542,258 S \* 5/2007 Park et al. .... D14/138 AA
- D553,594 S 10/2007 Burns et al.
- D553,595 S 10/2007 Lyles
- D553,599 S \* 10/2007 Lee et al. .... D14/138 AC
- D559,238 S \* 1/2008 Lyles ..... D14/248
- D560,215 S \* 1/2008 Di et al. .... D14/247

- D560,630 S \* 1/2008 Mitchell et al. .... D14/138 AA
- D564,504 S \* 3/2008 Lyles ..... D14/247
- D567,792 S \* 4/2008 Park et al. .... D14/138 AD
- D576,583 S \* 9/2008 Miles et al. .... D14/138 AA
- D578,986 S \* 10/2008 Kim et al. .... D14/138 R
- D580,902 S \* 11/2008 Bolton et al. .... D14/138 R
- D580,922 S \* 11/2008 Harju et al. .... D14/248
- D583,340 S \* 12/2008 Montin et al. .... D14/138 R
- D588,567 S \* 3/2009 Miles et al. .... D14/138 AD
- D588,568 S \* 3/2009 Miles et al. .... D14/138 AD
- 2002/0086698 A1 \* 7/2002 Sawada et al. .... 455/550
- 2004/0198460 A1 \* 10/2004 Sakuta et al. .... 455/566
- 2008/0119245 A1 \* 5/2008 Jeong ..... 455/575.1
- 2008/0119248 A1 \* 5/2008 Nissen et al. .... 455/575.4

**FOREIGN PATENT DOCUMENTS**

WO DM/069886 \* 12/2007

**OTHER PUBLICATIONS**

Samsung L870, announced Apr. 2008, [online], [retrieved on Oct. 17, 2008]. Retrieved from Internet ,<URL: http://www.gsmarena.com>.\*

Samsung G600, announced Jul. 2007, [online], [retrieved on Aug. 6, 2007]. Retrieved from Internet ,<URL: http://www.gsmarena.com>.\*

\* cited by examiner

*Primary Examiner*—Jeffrey D Asch

*Assistant Examiner*—Bridget L Eland

(74) *Attorney, Agent, or Firm*—Banner & Witcoff, Ltd.

(57) **CLAIM**

The ornamental design for a handset, as shown and described.

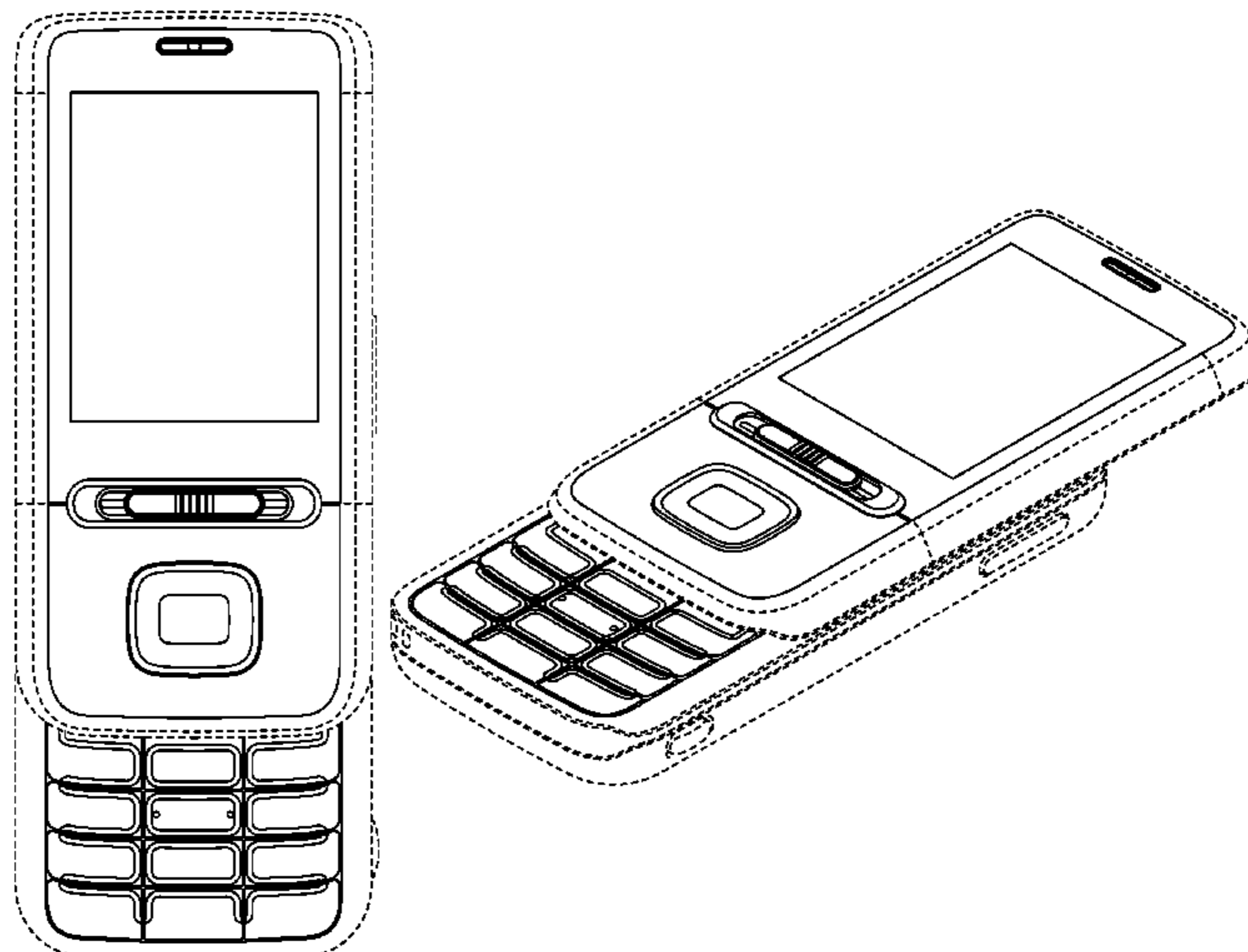
**DESCRIPTION**

FIG. 1 is a front view of a handset showing our new design; and,

FIG. 2 is a front perspective view thereof.

The broken lines showing environmental structures is for illustrative purposed only and forms no part of the claimed design.

**1 Claim, 2 Drawing Sheets**



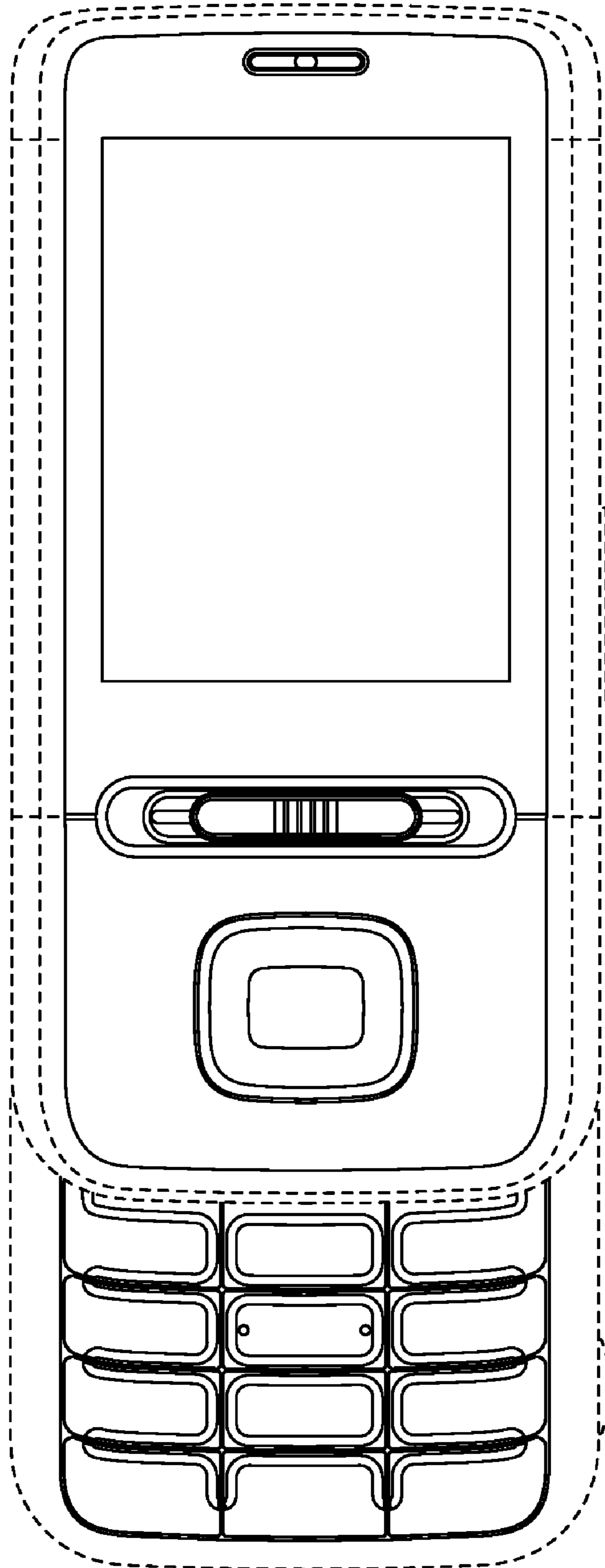


FIG. 1

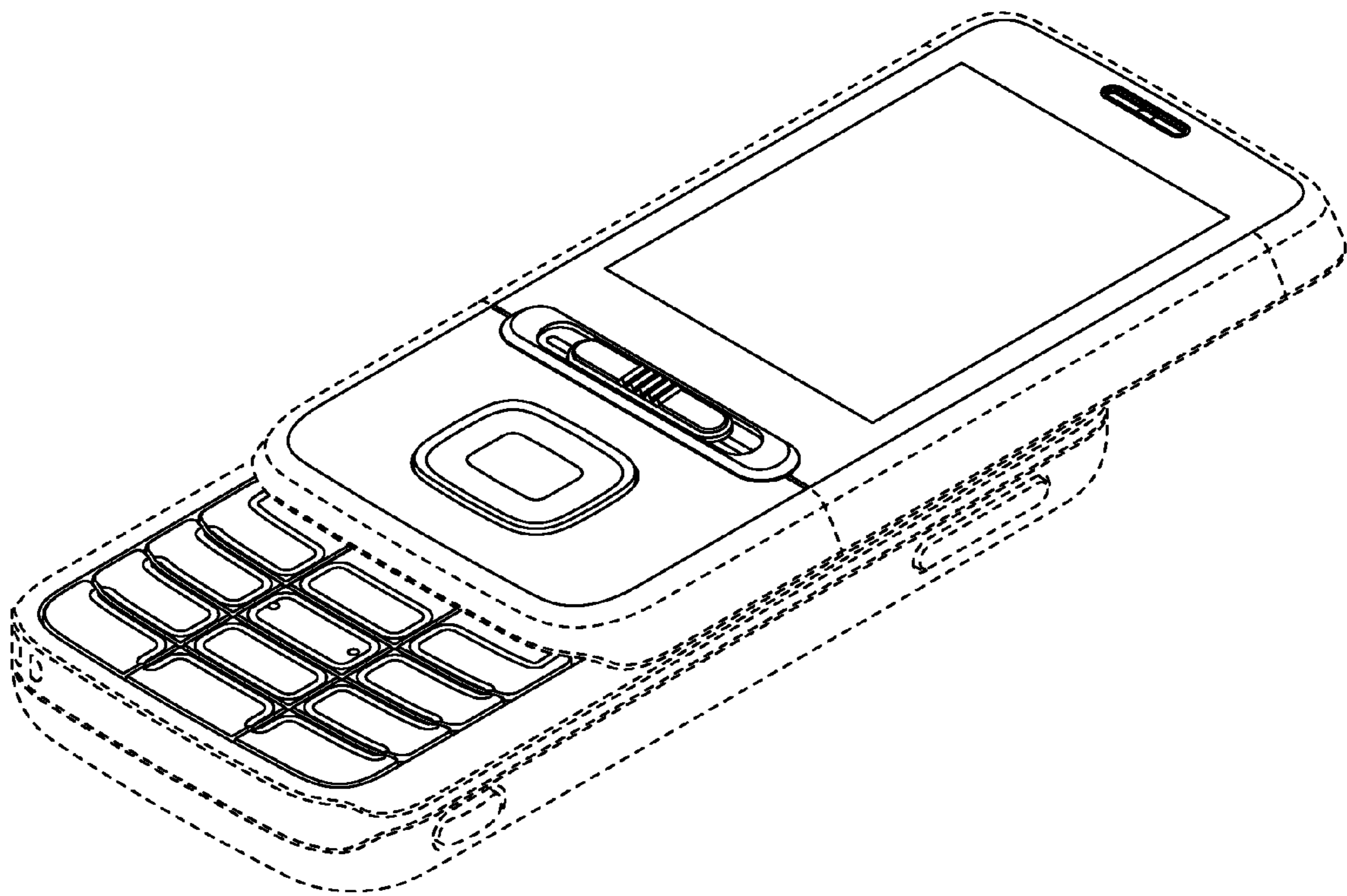


FIG. 2