



US00D595704S

(12) **United States Design Patent**
DiClemente

(10) **Patent No.:** **US D595,704 S**
(45) **Date of Patent:** **** Jul. 7, 2009**

(54) **CASE FOR WIRELESS NETWORKING DEVICE**

(75) Inventor: **Thomas J. DiClemente**, Hummelstown, PA (US)

(73) Assignee: **hField Technologies, Inc.**, Bethlehem, PA (US)

(**) Term: **14 Years**

(21) Appl. No.: **29/282,906**

(22) Filed: **Aug. 1, 2007**

(51) **LOC (9) Cl.** **14-02**

(52) **U.S. Cl.** **D14/240**

(58) **Field of Classification Search** D14/356,
D14/358, 233, 240, 242, 300, 348, 388, 433,
D14/155; D13/184, 137.2, 107, 108, 144;
360/69; 379/220.1, 220.14, 25, 93.09, 93.15,
379/156, 900, 338, 329; 381/124; 607/36;
307/10.1; 439/668

See application file for complete search history.

(56) **References Cited**

U.S. PATENT DOCUMENTS

D266,509 S *	10/1982	Marshall	D14/159
D352,040 S *	11/1994	Rak et al.	D14/240
D381,330 S *	7/1997	Kaufman et al.	D14/496
D381,640 S *	7/1997	Drennan et al.	D14/407

* cited by examiner

Primary Examiner—Charles A Rademaker

Assistant Examiner—Charles D Hanson

(74) *Attorney, Agent, or Firm*—Design IP

(57) **CLAIM**

The ornamental design for a case for a wireless networking device, as shown and described.

DESCRIPTION

FIG. 1 is a perspective view of a case for a wireless networking device showing my new design;

FIG. 2 is a rear orthographic view thereof;

FIG. 3 is a front orthographic view thereof;

FIG. 4 is a left side orthographic view thereof;

FIG. 5 is a right side orthographic view thereof;

FIG. 6 is a top orthographic view thereof;

FIG. 7 is a bottom orthographic view thereof; and,

FIG. 8 is a bottom orthographic view thereof, in which environmental subject matter has been omitted in order to more clearly show the claimed design.

The broken lines shown in FIGS. 1–8 are included for the purpose of illustrating environmental elements only and form no part of the claimed design.

1 Claim, 7 Drawing Sheets

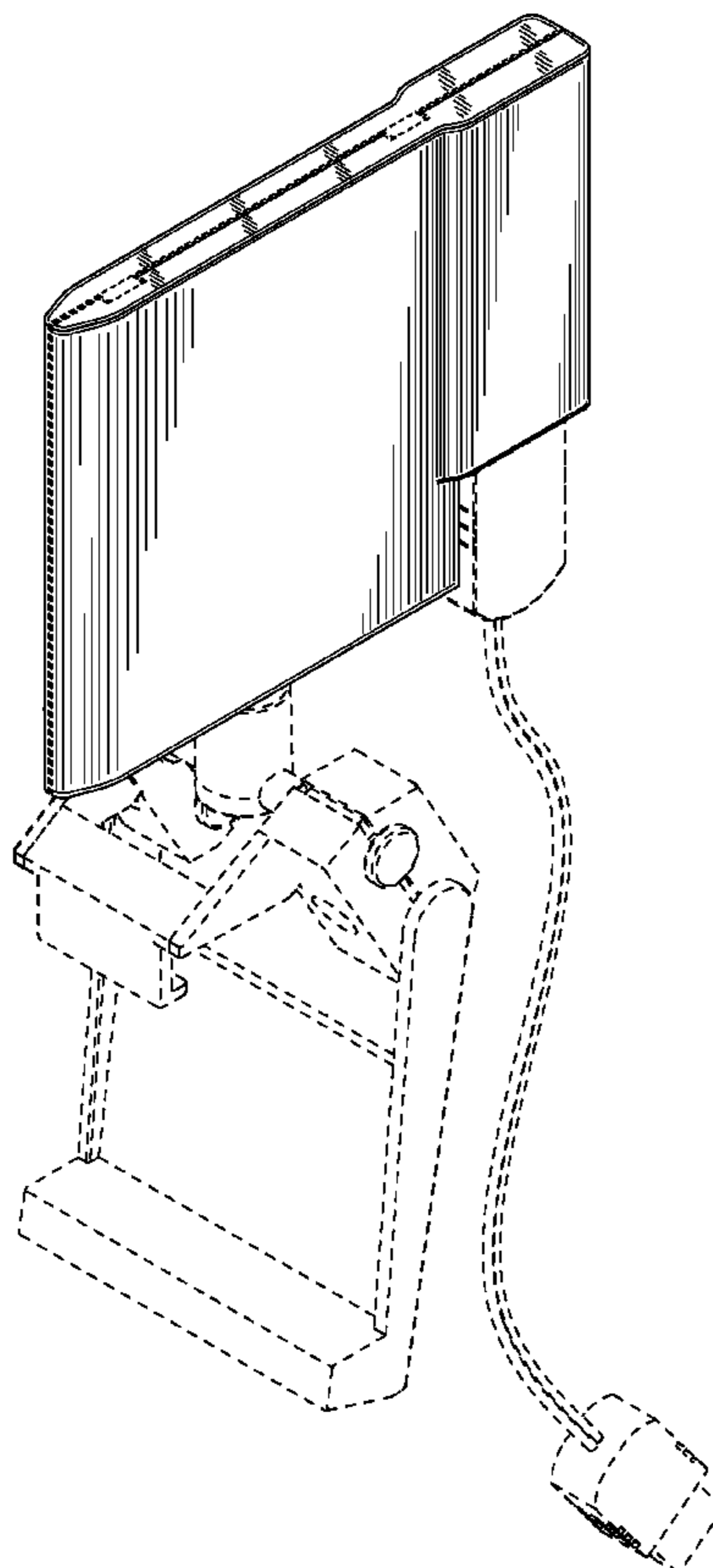


FIG. 1

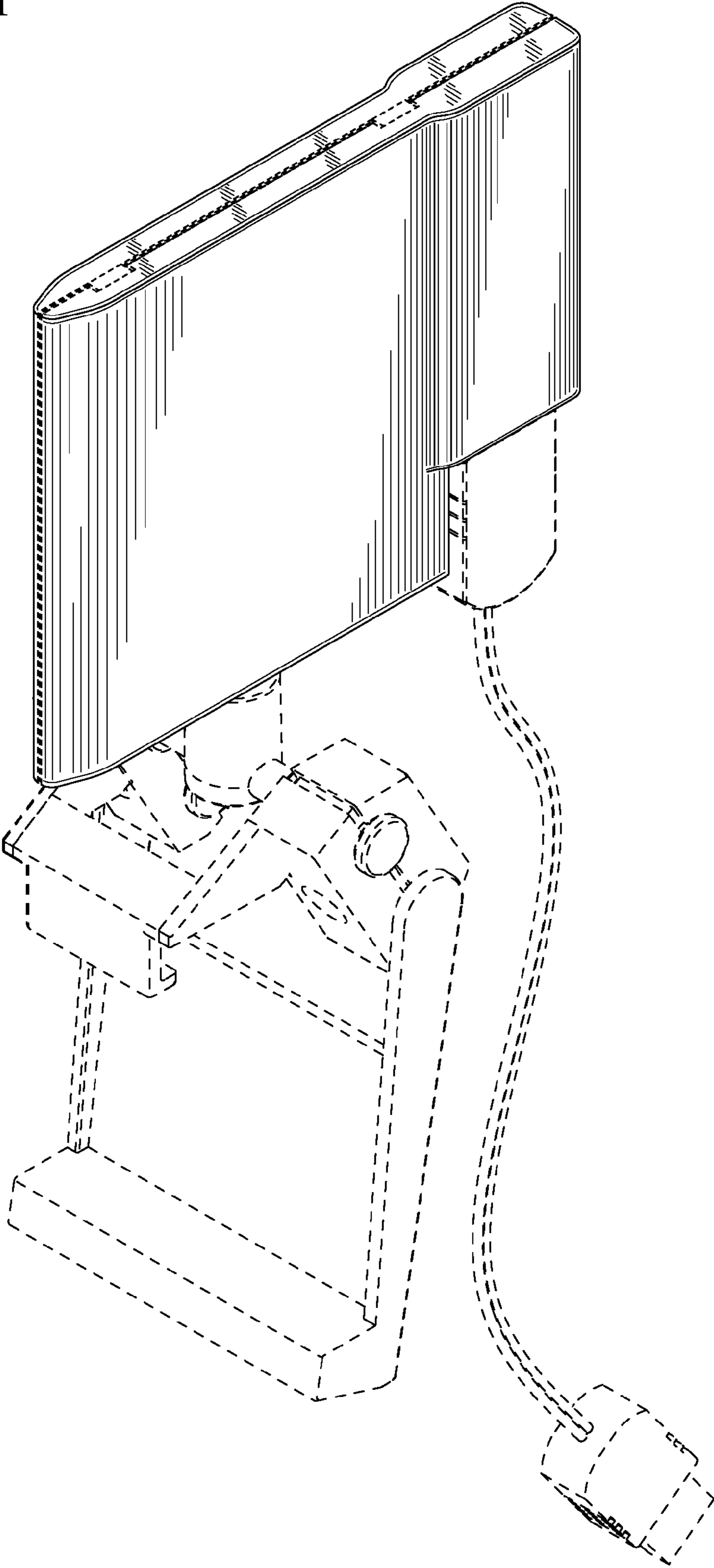


FIG. 2

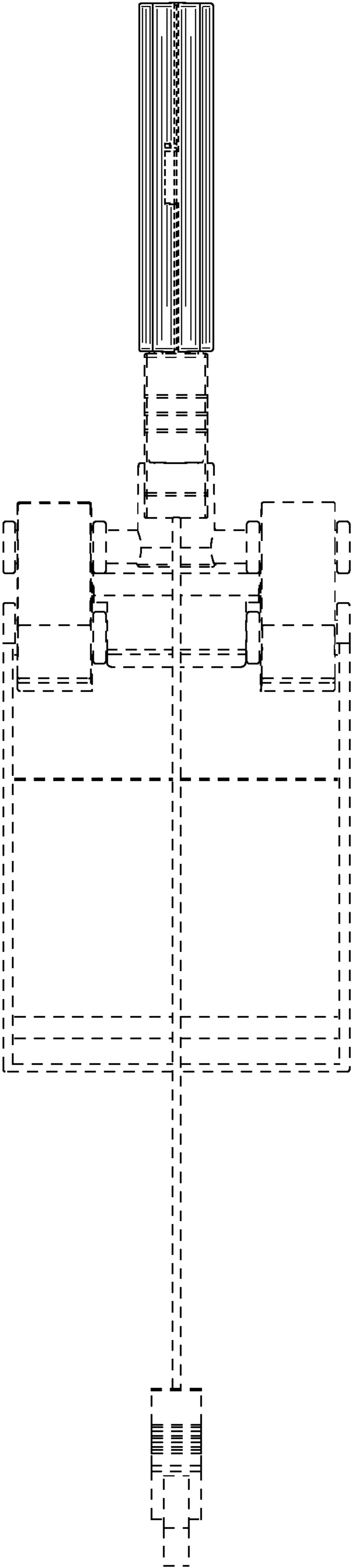


FIG. 3

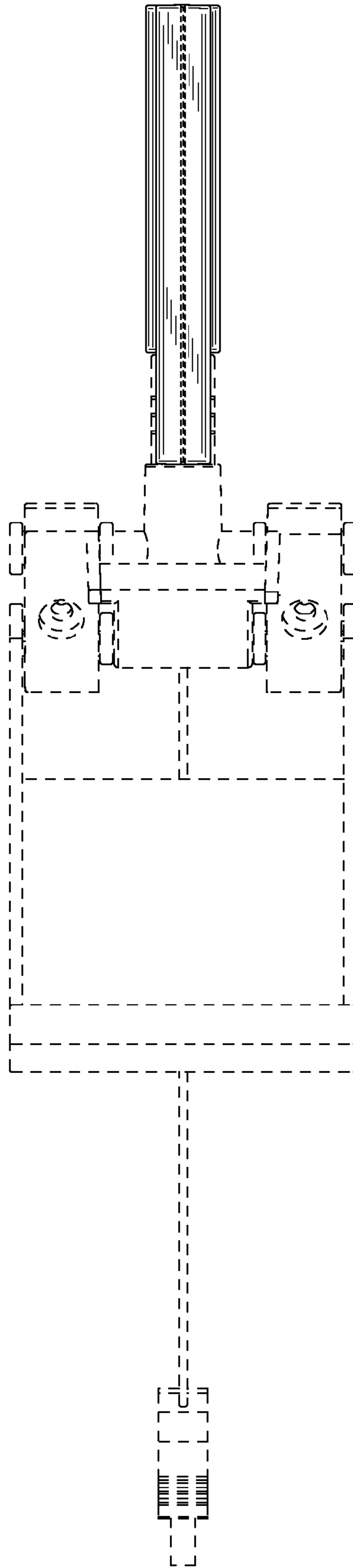


FIG. 4

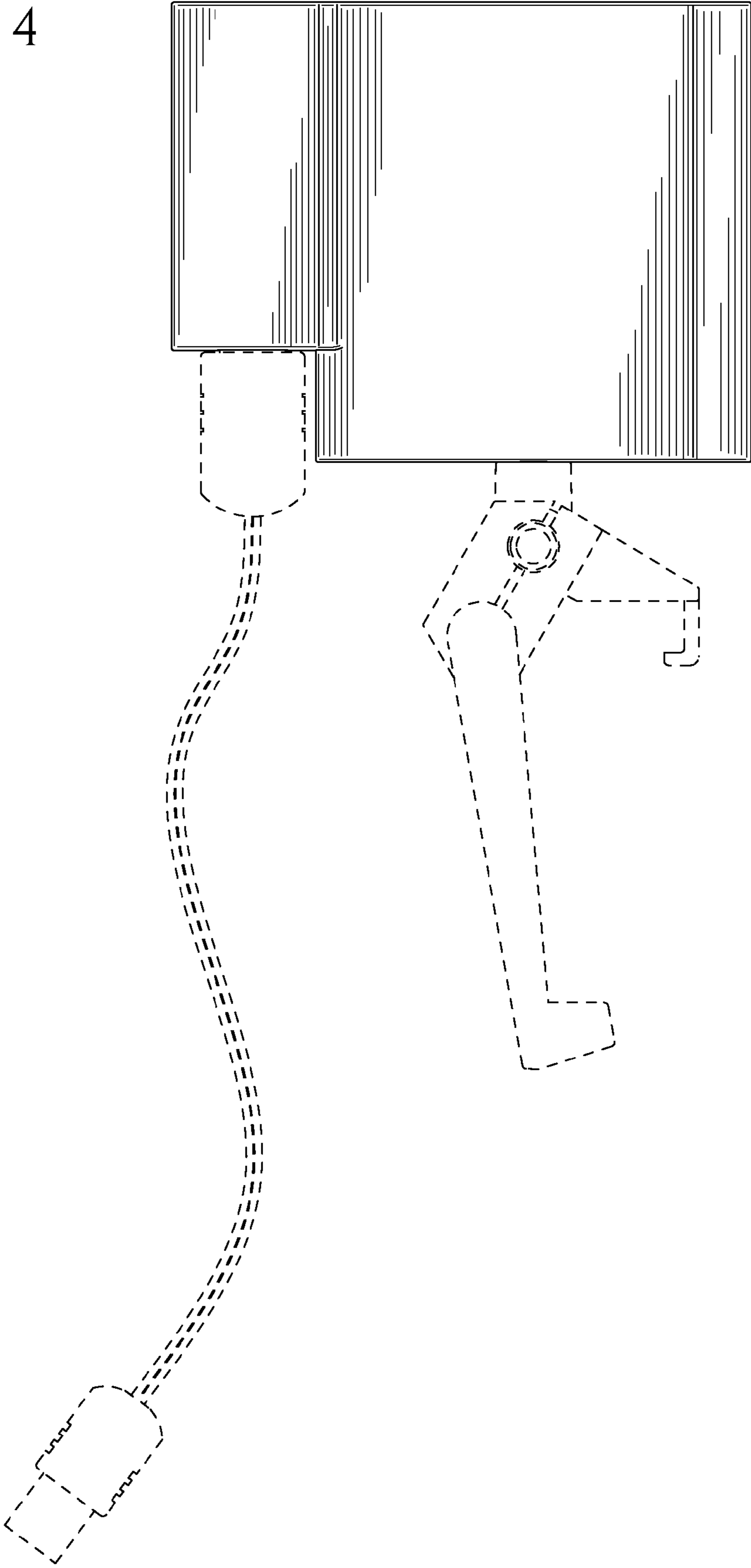


FIG. 5

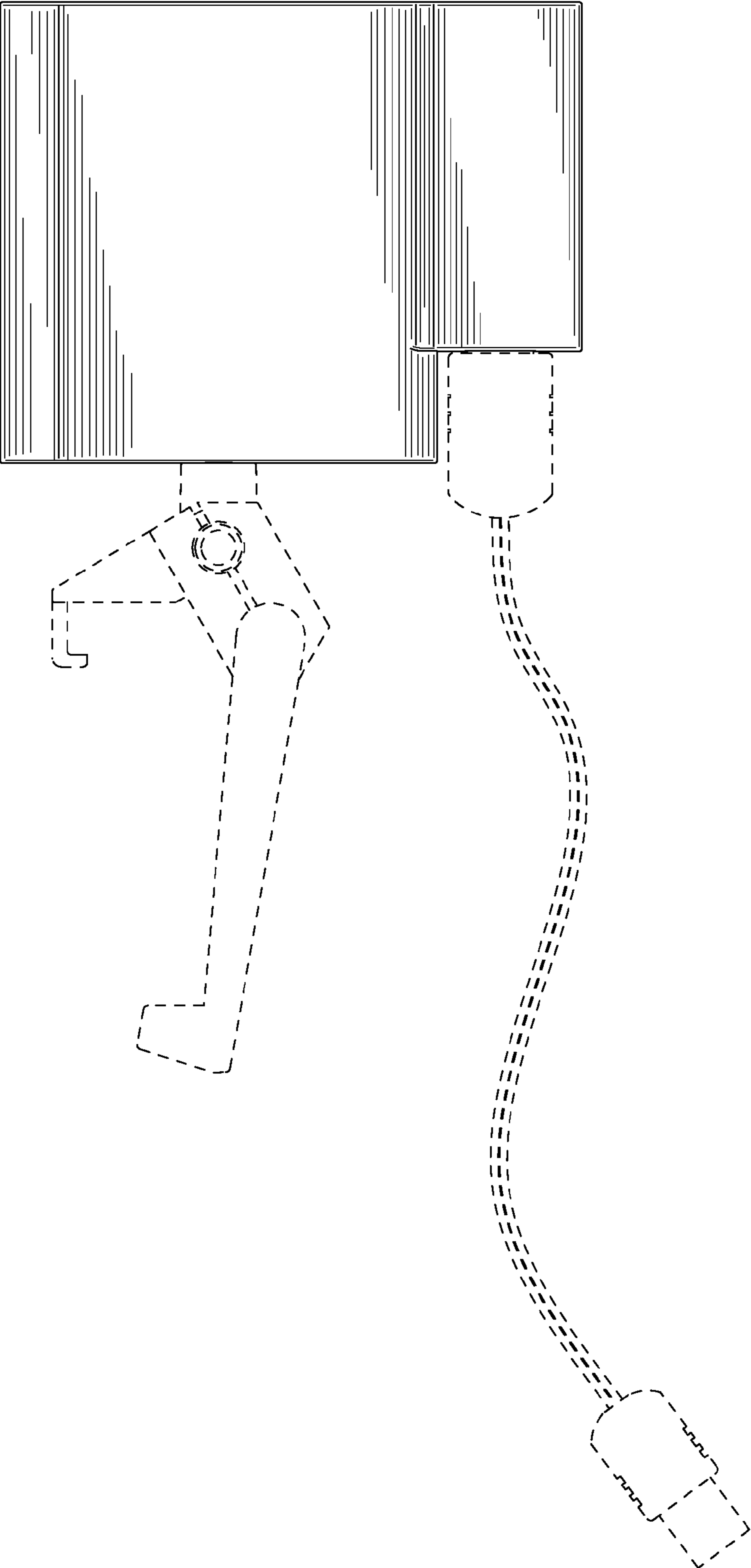


FIG. 6

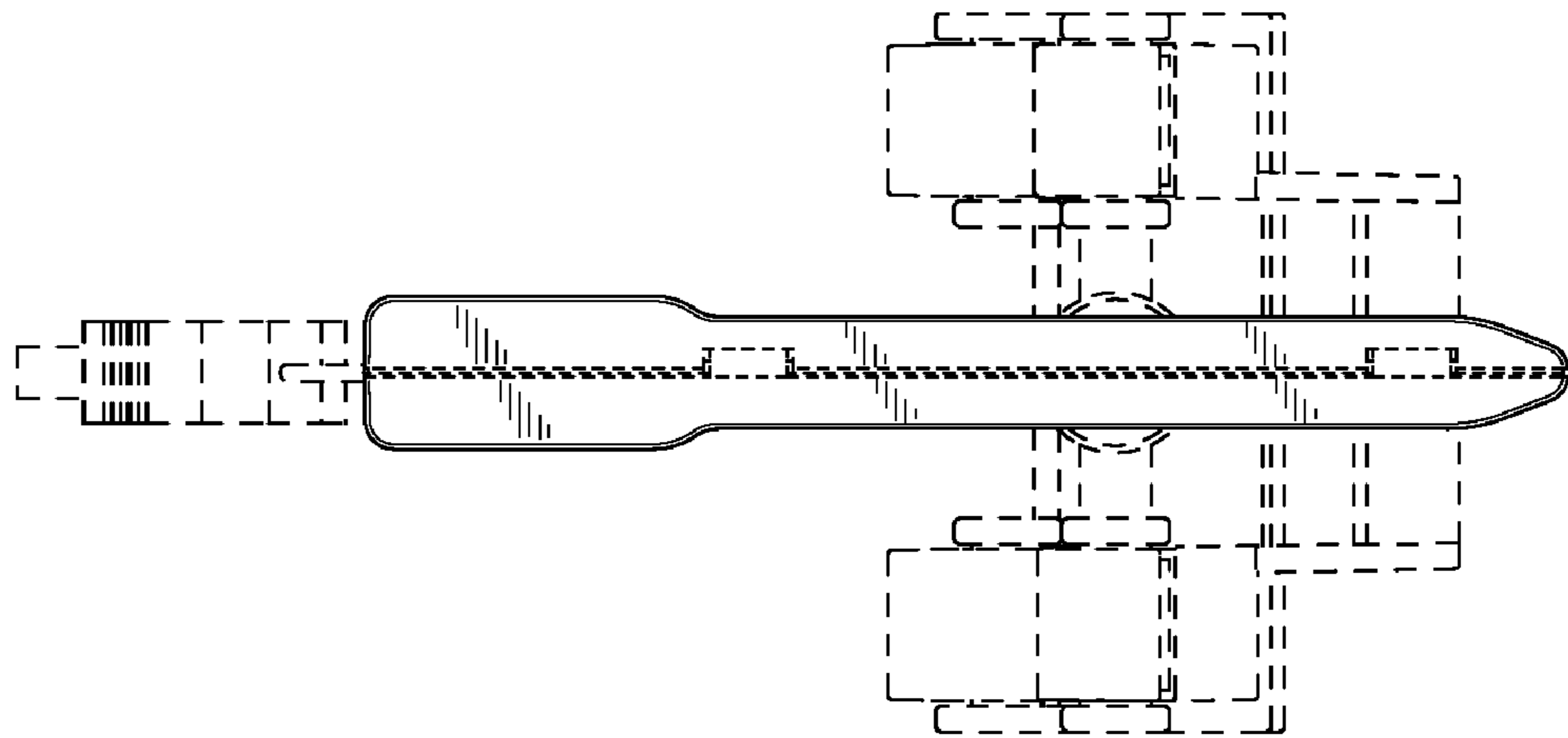


FIG. 7

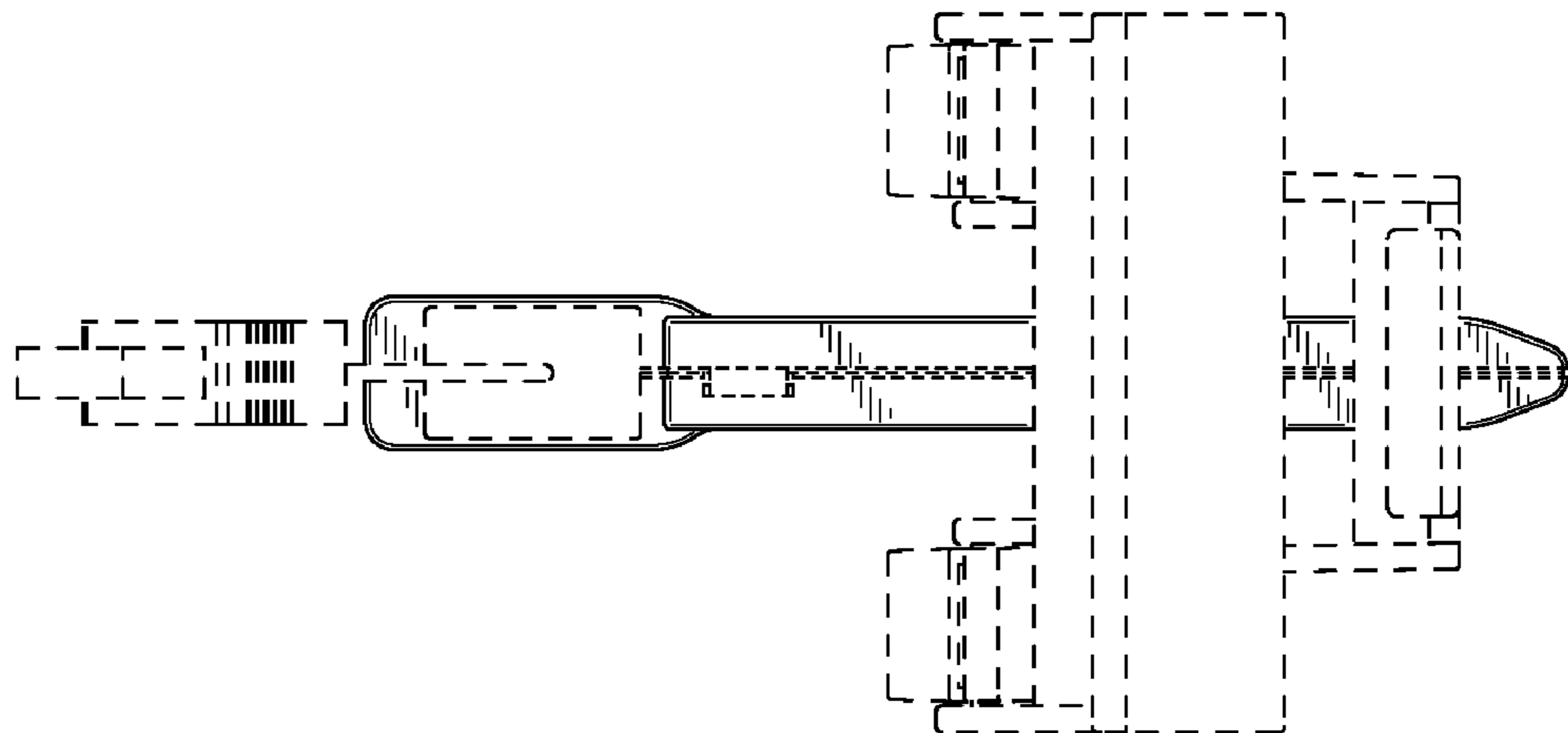


FIG. 8

