

US00D595702S

(12) **United States Design Patent**
Bremmon et al.

(10) **Patent No.:** **US D595,702 S**
(45) **Date of Patent:** **** Jul. 7, 2009**

(54) **TILT ADJUSTABLE DISPLAY INTERFACE BRACKET**

(75) Inventors: **Jeff Bremmon**, Shakopee, MN (US);
Jamie Brandt, Shakopee, MN (US)

(73) Assignee: **Milestone AV Technologies LLC**,
Savage, MN (US)

(**) Term: **14 Years**

(21) Appl. No.: **29/319,790**

(22) Filed: **Jun. 15, 2008**

Related U.S. Application Data

(63) Continuation-in-part of application No. 29/299,838,
filed on Jan. 4, 2008, now abandoned.

(51) **LOC (9) Cl.** **14-03**

(52) **U.S. Cl.** **D14/239**

(58) **Field of Classification Search** D14/125-134,
D14/239, 371, 136, 374-377; D8/363, 373,
D8/349, 394; 248/465, 917-924, 123.11;
348/825, 827, 836, 837, 838, 180, 184, 325,
348/739; 600/443; D6/477-479, 407, 474,
D6/460, 461, 468; 312/7.2; 341/12; 345/87,
345/104, 133, 156, 168, 169, 173; 720/605,
720/669, 600, 655; 369/99, 197; 455/344-347;
349/1, 2, 11, 62; 108/59, 91, 92, 96; 211/40,
211/41.12, 42, 49.1, 50, 85.2, 90.04, 187,
211/190, 119.003, 134.153, 87.01, 71.01

See application file for complete search history.

(56) **References Cited**

U.S. PATENT DOCUMENTS

212,618 A 2/1879 Miller
1,282,489 A 10/1918 Strodel
1,574,227 A 2/1926 Andersen
2,233,882 A 3/1941 Bobek

2,734,708 A 2/1956 Cohn
3,182,946 A 5/1965 Dudko
3,574,340 A 4/1971 Busche
4,718,317 A 1/1988 Hensler
4,814,759 A 3/1989 Gombrich

(Continued)

OTHER PUBLICATIONS

Mounts by PDR, A Division of David Engineering, *Panel Display Pivot Mount*, pp. 4.

(Continued)

Primary Examiner—Philip S Hyder

Assistant Examiner—Randall H Gholson

(74) *Attorney, Agent, or Firm*—Patterson, Thunte, Skaar & Christensen, PA

(57) **CLAIM**

The ornamental design for a tilt adjustable display interface bracket, as shown and described.

DESCRIPTION

FIG. 1 is a front perspective view of a tilt adjustable display interface bracket according to the invention;

FIG. 2 is a rear elevation view of the tilt adjustable display interface bracket depicted in FIG. 1;

FIG. 3 is a front elevation view of the tilt adjustable display interface bracket depicted in FIG. 1;

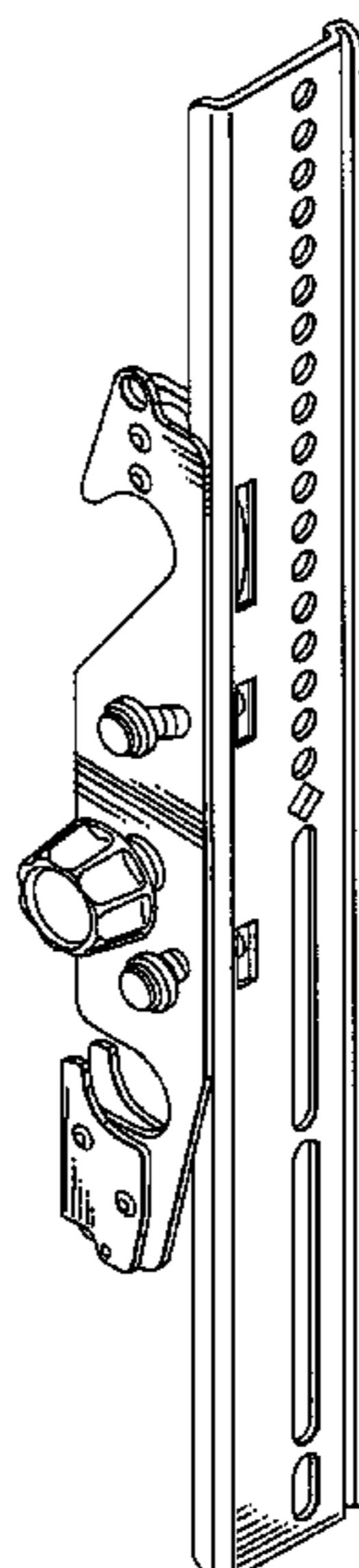
FIG. 4 is a top plan view of the tilt adjustable display interface bracket depicted in FIG. 1;

FIG. 5 is a bottom plan view of the tilt adjustable display interface bracket depicted in FIG. 1;

FIG. 6 is a side elevation view of the tilt adjustable display interface bracket depicted in FIG. 1; and,

FIG. 7 is an opposing side elevation view of the tilt adjustable display interface bracket depicted in FIG. 1.

1 Claim, 3 Drawing Sheets



US D595,702 S

U.S. PATENT DOCUMENTS

5,139,223	A	8/1992	Sedighzadeh	6,671,928	B2	1/2004	Huang
5,165,644	A	11/1992	Allen	6,672,553	B1	1/2004	Lin
5,195,900	A	3/1993	Kumagai et al.	D488,708	S	4/2004	Lam
5,322,255	A	6/1994	Garret	6,752,363	B2	6/2004	Boele
D361,068	S	8/1995	Brehmer et al.	D493,800	S	8/2004	Pfister
5,465,557	A	11/1995	Harte	D494,183	S	8/2004	Wills
5,520,361	A	5/1996	Lee	D494,596	S	8/2004	Pfister
5,553,820	A	9/1996	Karten et al.	D494,978	S	8/2004	Pfister
5,582,375	A	12/1996	Martin	D495,713	S	9/2004	Pfister
5,713,549	A	2/1998	Shieh	D496,367	S	9/2004	Pfister
5,743,503	A	4/1998	Voeller et al.	D497,537	S	10/2004	O'Keene et al.
5,751,548	A	5/1998	Hall et al.	D503,331	S	3/2005	Sjoberg
D395,892	S	7/1998	Solomon	6,886,701	B2	5/2005	Hong et al.
D400,085	S	10/1998	Haskin	6,905,101	B1	6/2005	Dittmer
5,842,672	A	12/1998	Sweere et al.	D507,477	S	7/2005	Pfister
5,854,735	A	12/1998	Cheng	D512,903	S	12/2005	Gallien
5,918,841	A	7/1999	Sweere et al.	D520,017	S	5/2006	Kuijk
5,924,665	A	7/1999	Sweere et al.	D530,595	S *	10/2006	Lam et al. D8/373
5,941,493	A	8/1999	Cheng	D532,290	S	11/2006	David
5,947,429	A	9/1999	Sweere et al.	7,152,836	B2	12/2006	Pfister
D415,768	S	10/1999	Howell	7,178,775	B2	2/2007	Pfister
5,992,809	A	11/1999	Sweere et al.	D538,140	S	3/2007	Ly Hau et al.
6,012,693	A	1/2000	Voeller	D538,632	S *	3/2007	Ly Hau et al. D8/363
6,015,120	A	1/2000	Sweere et al.	D539,126	S	3/2007	Stenhouse
6,019,332	A	2/2000	Sweere et al.	D539,128	S *	3/2007	Ly Hau et al. D8/373
6,042,068	A	3/2000	Tcherny	D539,636	S	4/2007	Bremmon
6,045,103	A	4/2000	Costa et al.	D539,637	S *	4/2007	Ly Hau et al. D6/373
6,048,013	A	4/2000	Moilanen et al.	D540,154	S	4/2007	Bremmon
6,068,227	A	5/2000	Morgan et al.	D553,125	S *	10/2007	Ly Hau et al. D14/239
D426,142	S	6/2000	Moore	D553,483	S *	10/2007	Grey D8/380
6,102,348	A	8/2000	O'Neill	D560,672	S	1/2008	Muday et al.
6,113,047	A	9/2000	Wung	D561,775	S	2/2008	Wohlford
6,126,128	A	10/2000	Costa et al.	D563,416	S	3/2008	Bremmon
6,189,850	B1	2/2001	Liao et al.	D565,054	S	3/2008	Anderson et al.
D440,863	S	4/2001	Worrall	2001/0050327	A1	12/2001	Sweere et al.
6,213,821	B1	4/2001	Bernloehr et al.	2002/0011544	A1	1/2002	Bosson
6,273,382	B1	8/2001	Pemberton	2002/0033436	A1	3/2002	Peng et al.
6,340,146	B1	1/2002	Tzeng	2002/0084396	A1	7/2002	Weaver
6,347,776	B1	2/2002	Chuang	2002/0179801	A1	12/2002	Kim
6,354,549	B2	3/2002	Sweere et al.	2003/0075653	A1	4/2003	Li
6,361,012	B1	3/2002	Chang	2003/0136888	A1	7/2003	Boele
6,367,756	B1	4/2002	Wang	2003/0154673	A1	8/2003	MacGregor et al.
6,378,830	B1	4/2002	Lu	2003/0201372	A1	10/2003	Dozier
6,394,403	B1	5/2002	Hung	2003/0227739	A1	12/2003	Kim et al.
6,402,109	B1	6/2002	Dittmer	2004/0011932	A1	1/2004	Duff
D460,078	S	7/2002	Li	2004/0011938	A1	1/2004	Odds, Jr.
6,416,027	B1	7/2002	Hart	2004/0245420	A1	12/2004	Pfister et al.
6,418,010	B1	7/2002	Sawyer	2006/0065800	A1	3/2006	Bremmon
6,419,196	B1	7/2002	Sweere et al.	2007/0041150	A1	2/2007	Short et al.
6,450,467	B2	9/2002	Timm	2007/0176067	A1	8/2007	Monaco
6,453,509	B1	9/2002	Shin	2007/0181762	A1	8/2007	Dittmer
6,478,275	B1	11/2002	Huang	2008/0054147	A1	3/2008	Muday et al.
6,484,987	B2	11/2002	Weaver				
6,494,429	B2	12/2002	Tajima				
6,517,040	B1	2/2003	Wen				
6,527,466	B1	3/2003	Blier				
6,543,734	B2	4/2003	Yeh				
6,554,238	B1	4/2003	Hibberd				
6,554,242	B2	4/2003	Kim				
6,559,829	B1	5/2003	Matsuo et al.				
6,560,094	B2	5/2003	Schmidt				
6,565,056	B2	5/2003	Lin				
6,575,419	B1	6/2003	Masuda et al.				
D477,325	S	7/2003	Theis				
D477,606	S	7/2003	Theis				
6,585,203	B1	7/2003	Euker				
6,592,090	B1	7/2003	Li				
6,594,143	B2	7/2003	Yano et al.				
6,604,722	B1	8/2003	Tan				
6,654,235	B2	11/2003	Imsand				
6,663,064	B1	12/2003	Minelli et al.				

OTHER PUBLICATIONS

- FIMCO, *Wall Mount Kit for Plasma TV Screens*, Nov. 2003, pp. 12.
- Peerless, *SmartMount™ Universal Tilt Wall Mount for 32" to 50" Plasma and LCD Flat Panel Screens*, 2006, pp. 2.
- Peerless, *SmartMount™ Universal Tilt Wall Mount for 61" to 102" Plasma and LCD Flat Panel Screens*, 2006, pp. 2.
- Peerless, *SmartMount™ Universal Tilt Wall Mount for 42" to 71" Plasma and LCD Flat Panel Screens*, 2006, pp. 2.
- Peerless, *SmartMount™ Universal Tilt Wall Mount for 32" to 60" Plasma and LCD Flat Panel Screens*, 2006, pp. 2.
- Peerless, *SmartMount™ Universal Tilt Wall Mount for 23" to 46" LCD Flat Panel Screens*, 2006, pp. 2.
- Peerless, *SmartMount™ Universal Flat Wall Mount for 61" to 102" Plasma and LCD Flat Panel Screens*, 2006, pp. 2.
- Peerless, *SmartMount™ Universal Flat Wall Mount for 42" to 71" Plasma and LCD Flat Panel Screens*, 2006, pp. 2.
- Peerless, *SmartMount™ Universal Flat Wall Mount for 32" to 60" Plasma and LCD Flat Panel Screens*, 2006, pp. 2.

US D595,702 S

Page 3

Peerless, *SmartMount™ Universal Flat Wall Mount for 23" to 46" LCD Flat Panel Screens*, 2006, pp. 2.

Peerless, *SmartMount™ Universal Tilt Wall Mount for 22" to 49" Screens*, Mar. 31, 2005, pp. 12.

Viewsonic, *Mount*, 2005, pp. 1.

Hitachi, *Mount*, 2005, pp. 1.

* cited by examiner

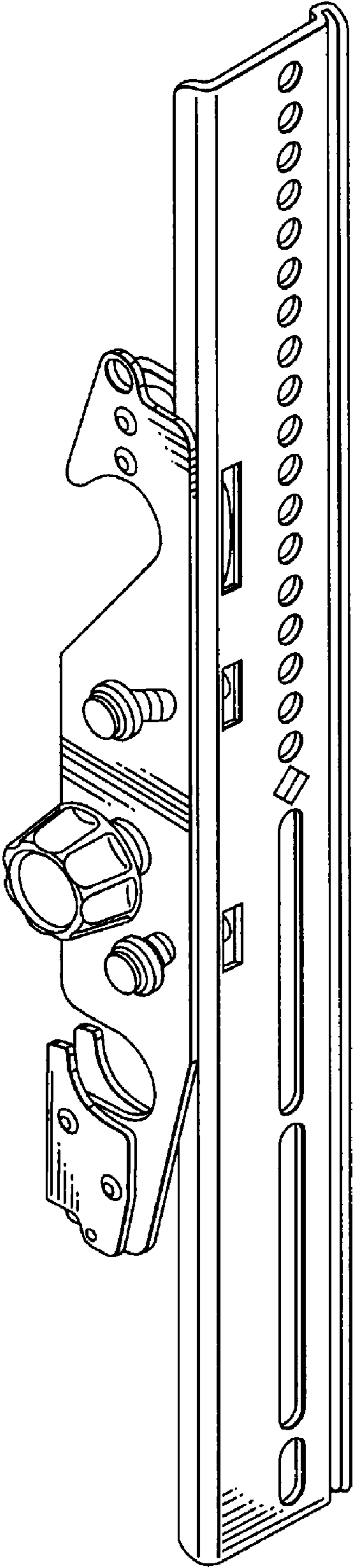


Fig. 1

Fig. 2

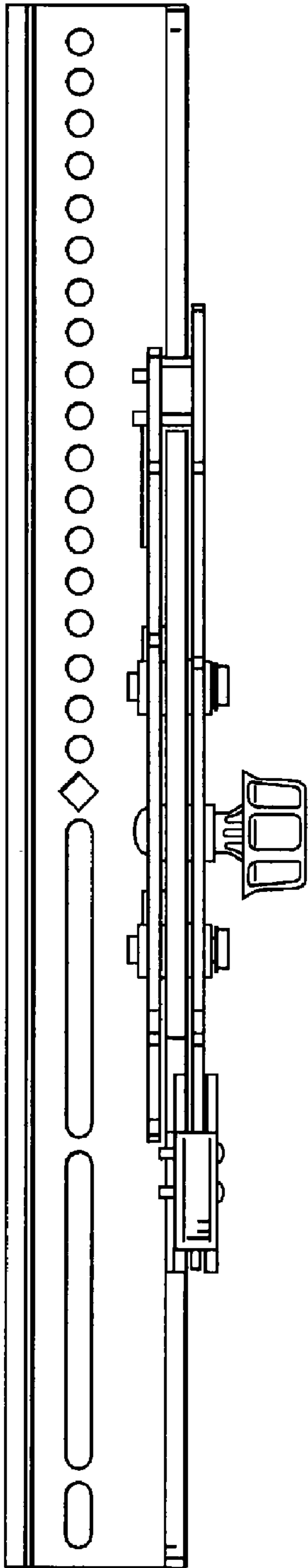


Fig. 3

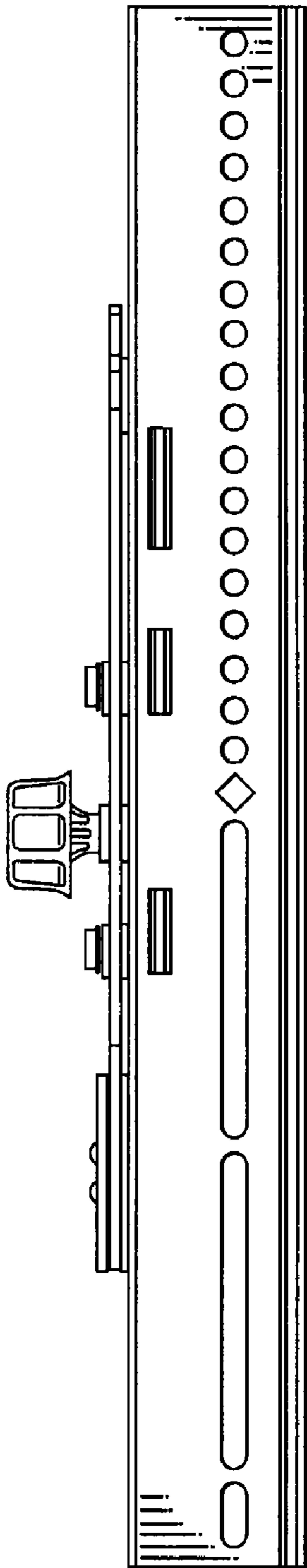


Fig. 4

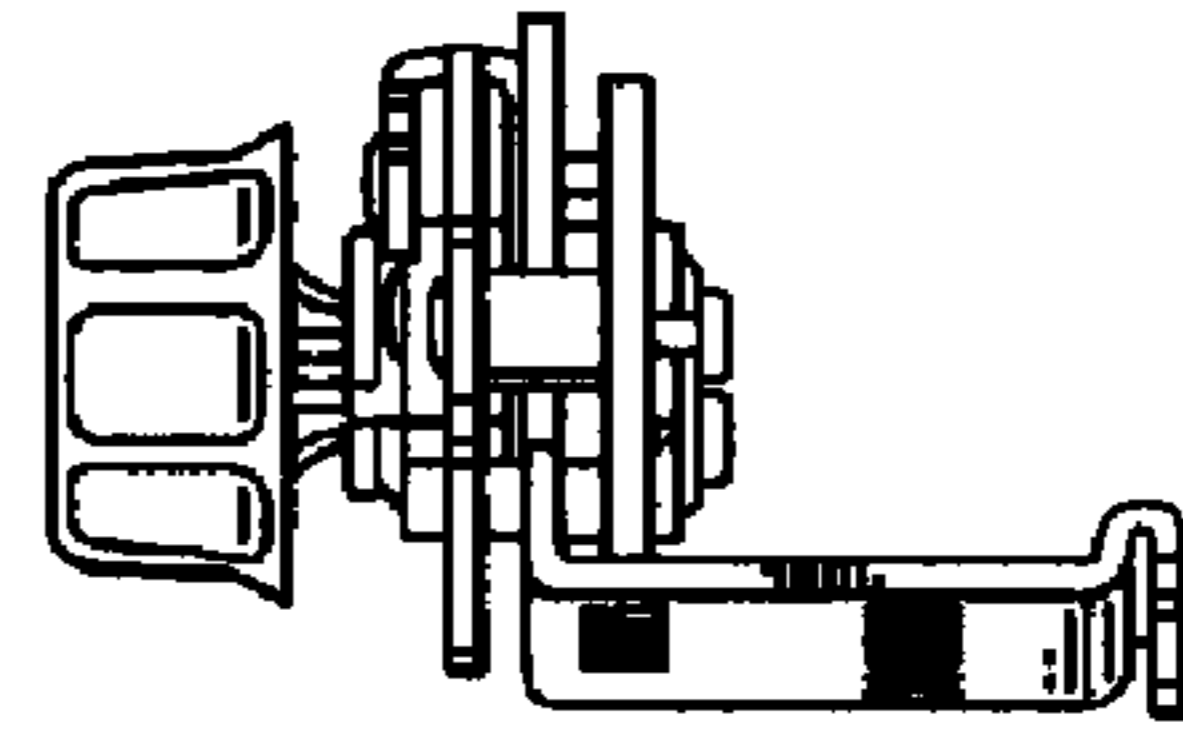


Fig. 5

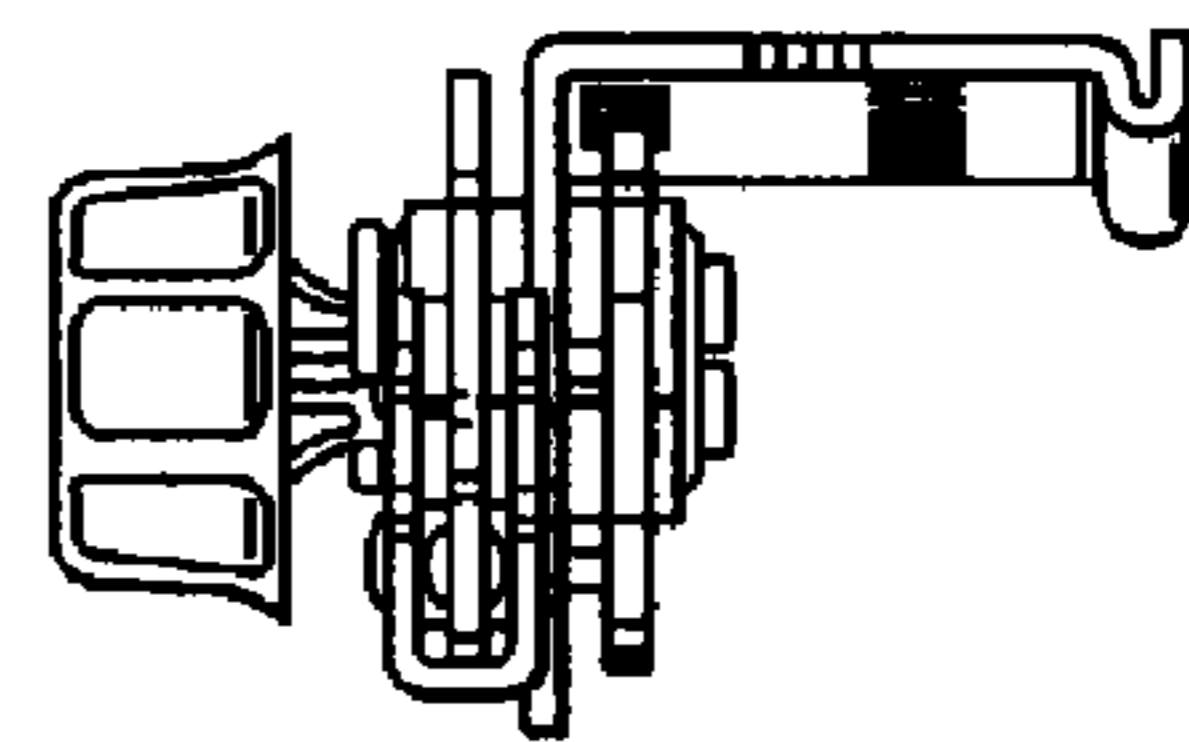


Fig. 6

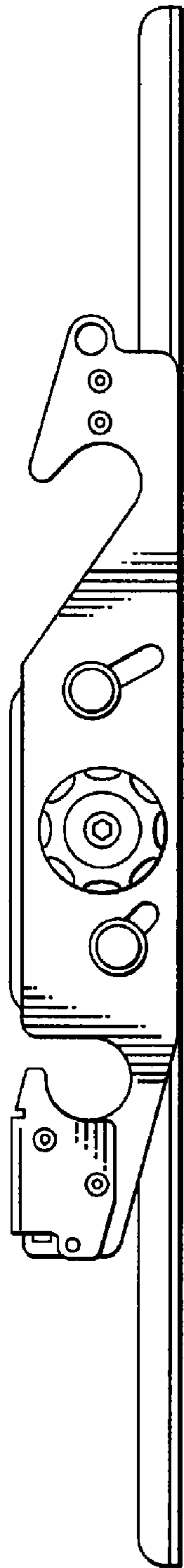


Fig. 7

