



US00D595701S

(12) **United States Design Patent**
Chuang et al.

(10) **Patent No.:** **US D595,701 S**
(45) **Date of Patent:** **** Jul. 7, 2009**

(54) **ANTENNA SUPPORTING BASE**

7,046,211 B1 * 5/2006 Wang 343/880
2008/0231539 A1 * 9/2008 Shin 343/882

(75) Inventors: **Mei Chu Chuang**, Tauyuan Hsien (TW);
Tsung Sheng Fu, Tauyuan Hsien (TW)

* cited by examiner

(73) Assignee: **Joymax Electronics Co., Ltd.**, Chongli
Gonyeh Chu, Chong Li, Tauyuan Hsien
(TW)

Primary Examiner—T. Chase Nelson
Assistant Examiner—Ania K Dworzecka
(74) *Attorney, Agent, or Firm*—Charles E. Baxley

(**) Term: **14 Years**

(57) **CLAIM**

(21) Appl. No.: **29/269,685**

The ornamental design for an antenna supporting base, as shown and described.

(22) Filed: **Dec. 5, 2006**

DESCRIPTION

(51) **LOC (9) Cl.** **14-03**

FIG. 1 is an upper perspective view of an antenna supporting base showing our new design;

(52) **U.S. Cl.** **D14/238**

FIG. 2 is a front elevational view thereof;

(58) **Field of Classification Search** D14/230–238;
D10/104; 343/888, 805, 882, 872, 873, 878,
343/793, 741

FIG. 3 is a rear elevational view thereof;

See application file for complete search history.

FIG. 4 is a top plan view thereof;

FIG. 5 is a bottom plan view thereof;

(56) **References Cited**

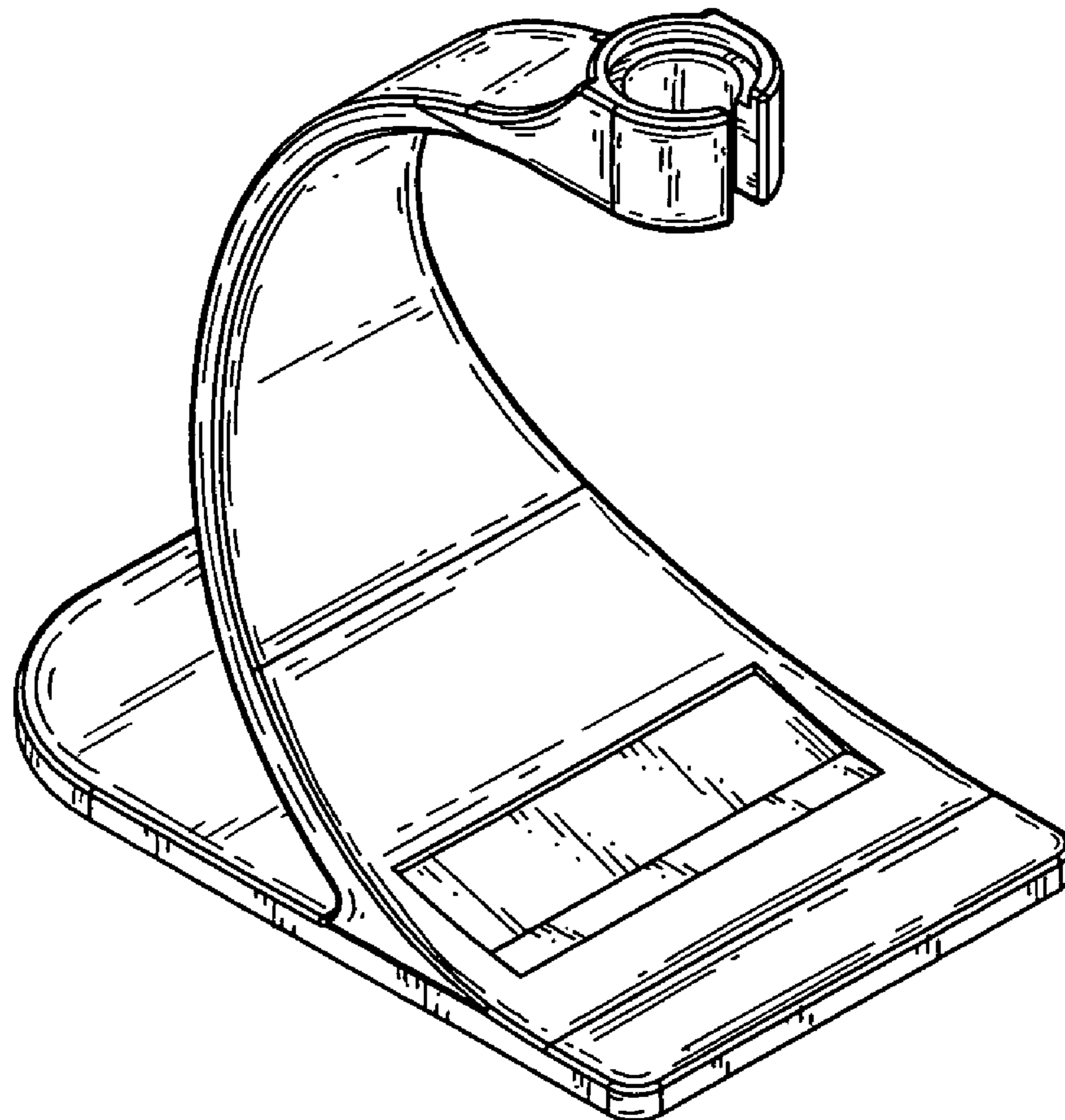
FIG. 6 is a left side elevational view thereof; and,

FIG. 7 is a right side elevational view thereof.

U.S. PATENT DOCUMENTS

D401,245 S * 11/1998 Benn et al. D14/238
D504,679 S * 5/2005 Huang D14/230

1 Claim, 4 Drawing Sheets



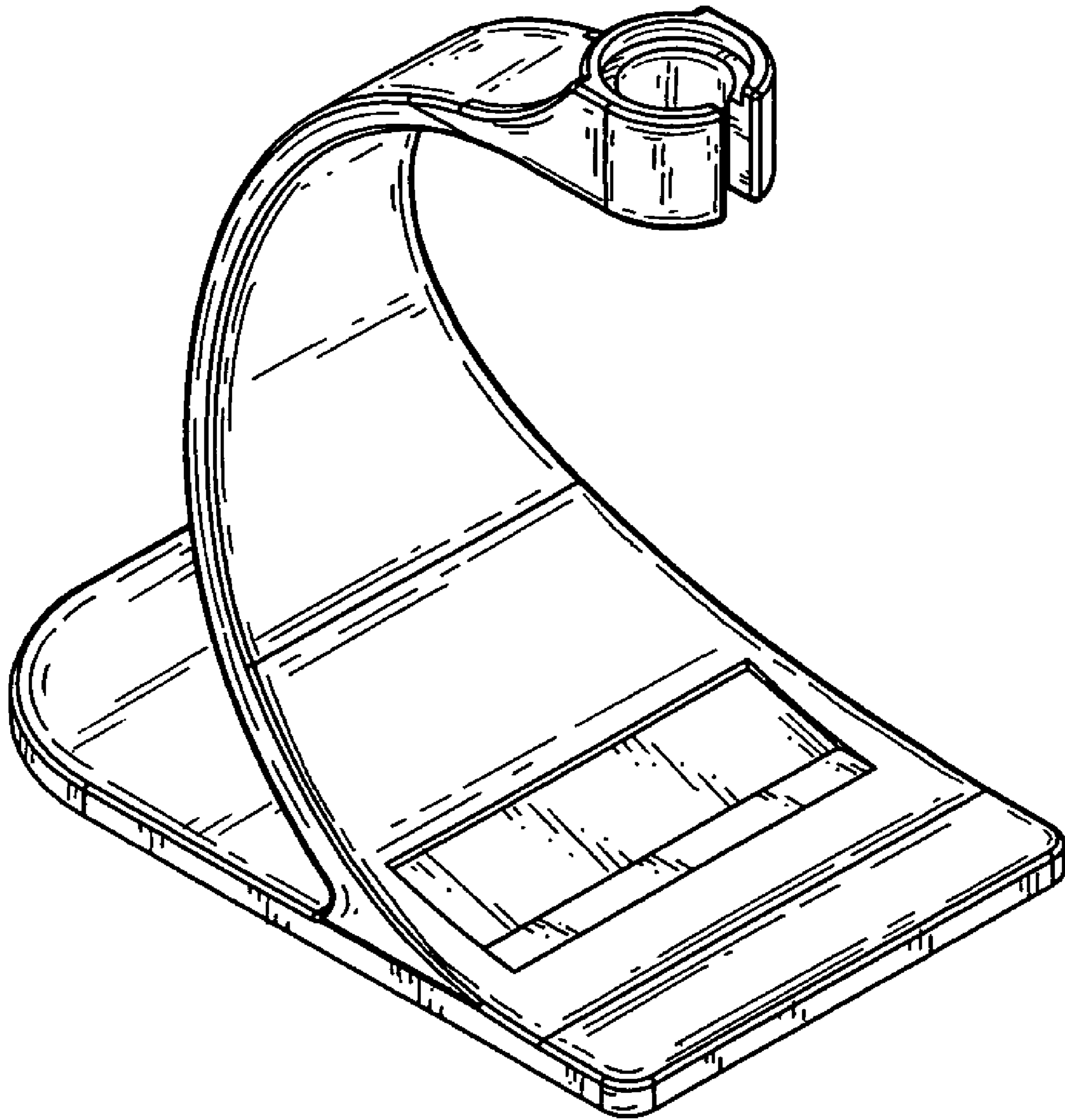


FIG. 1

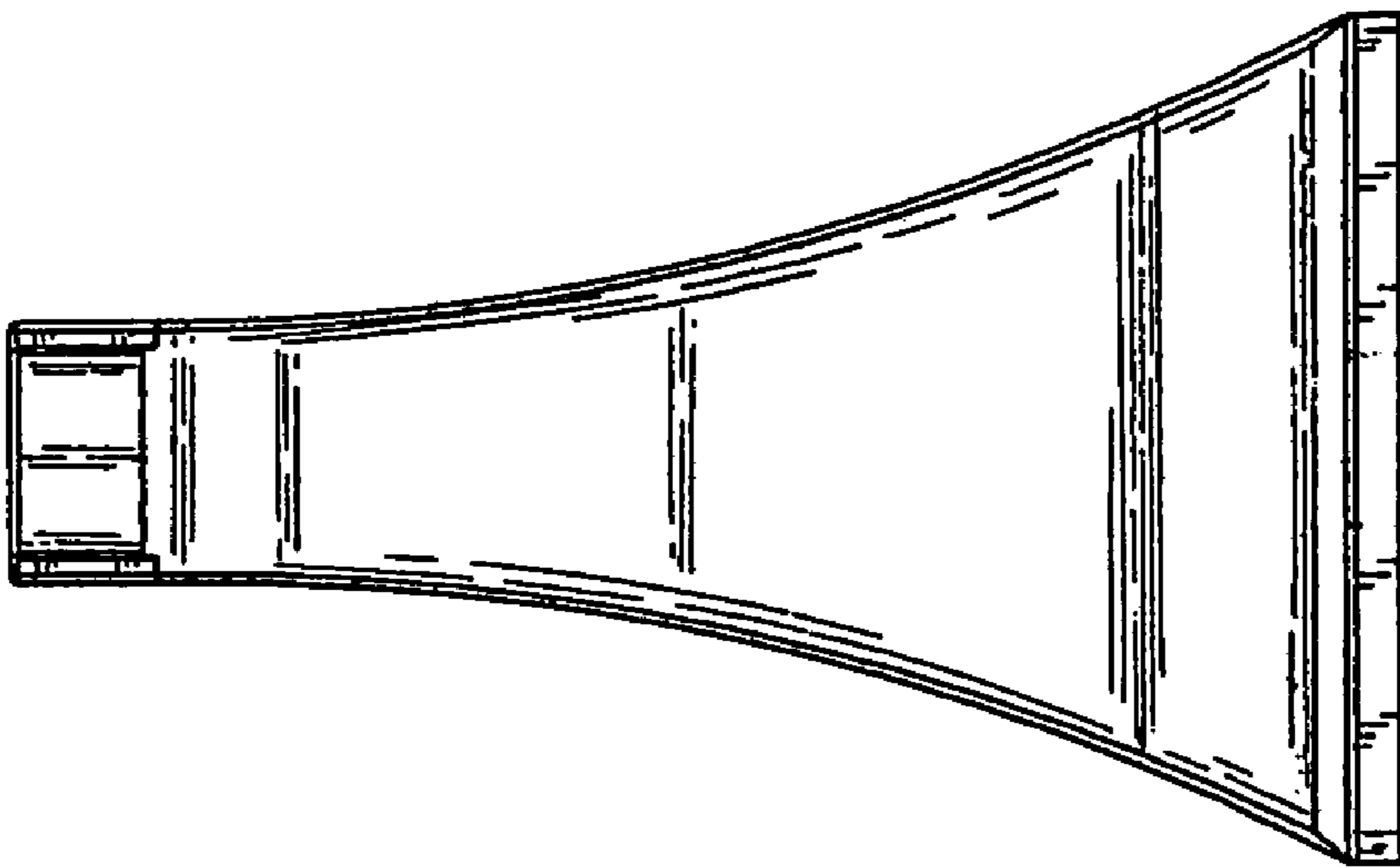


FIG. 3

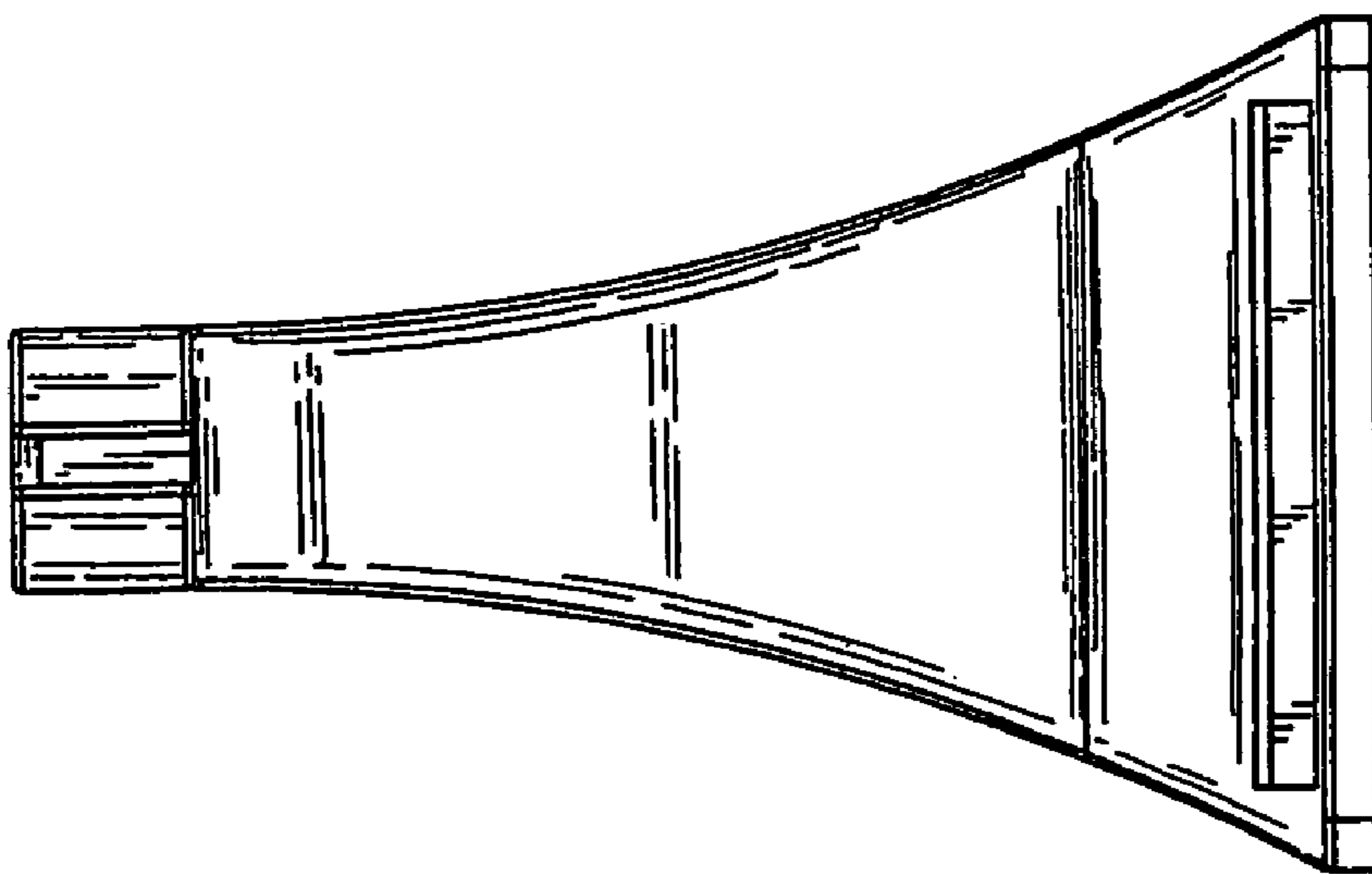


FIG. 2

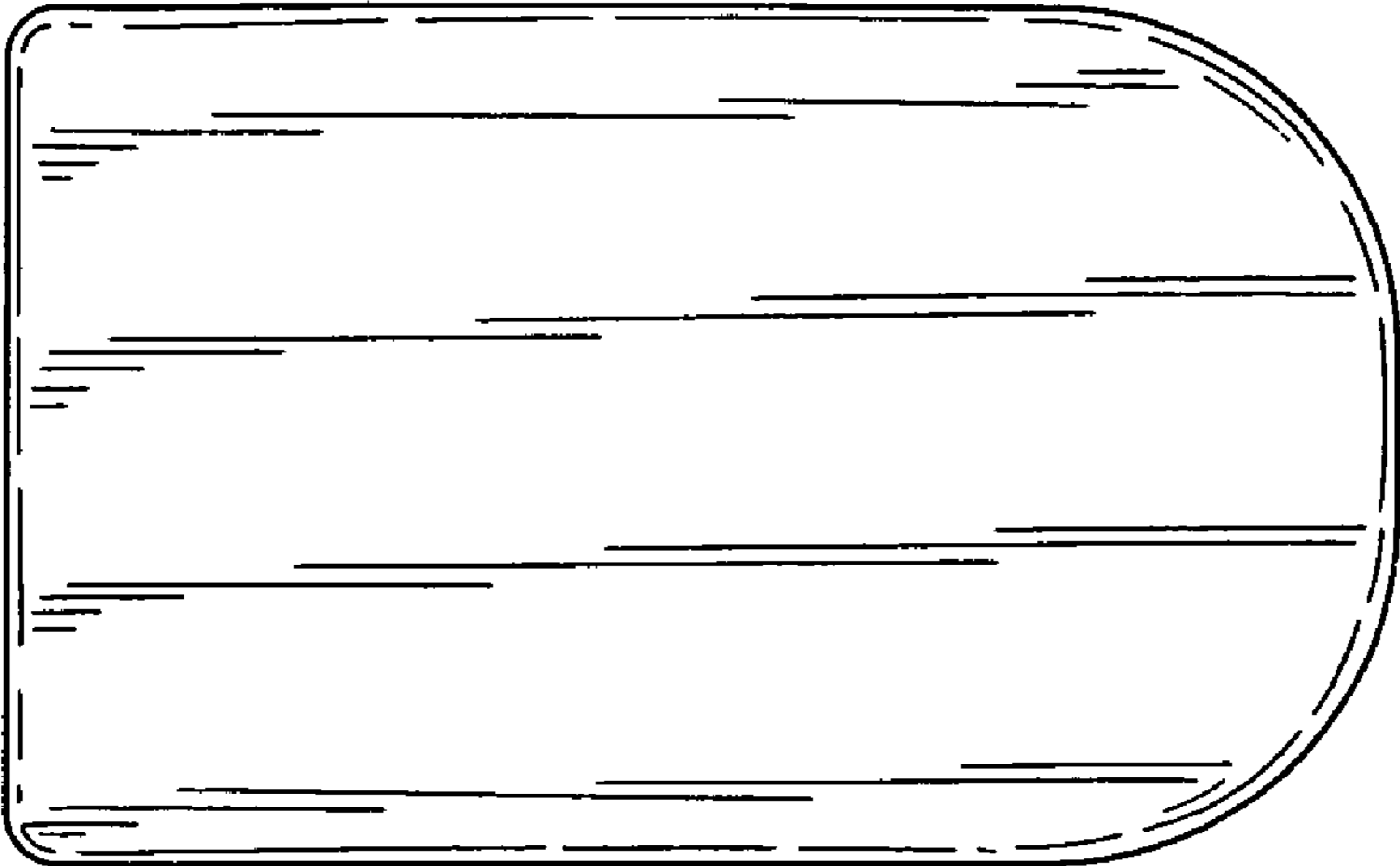


FIG. 4

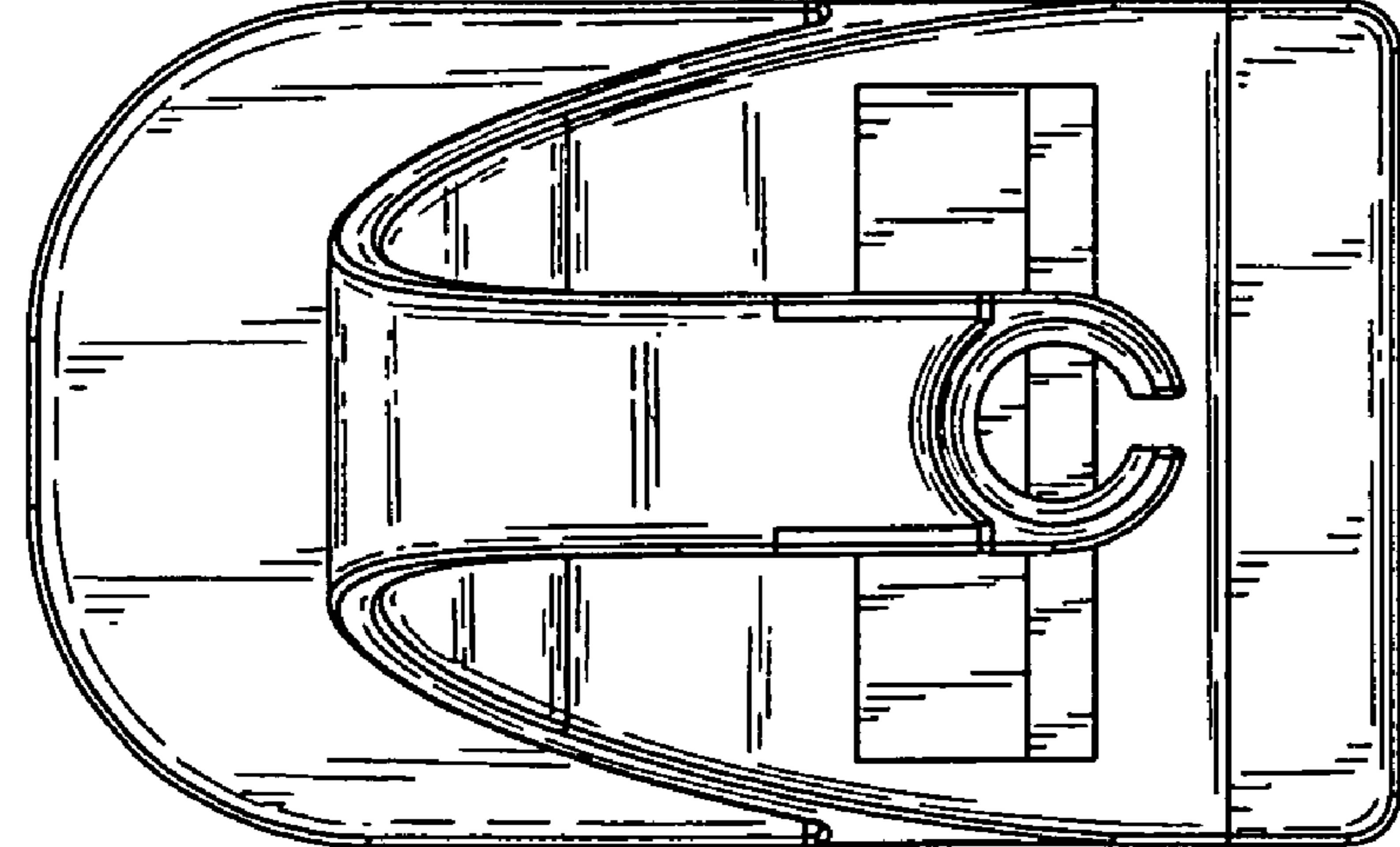


FIG. 5

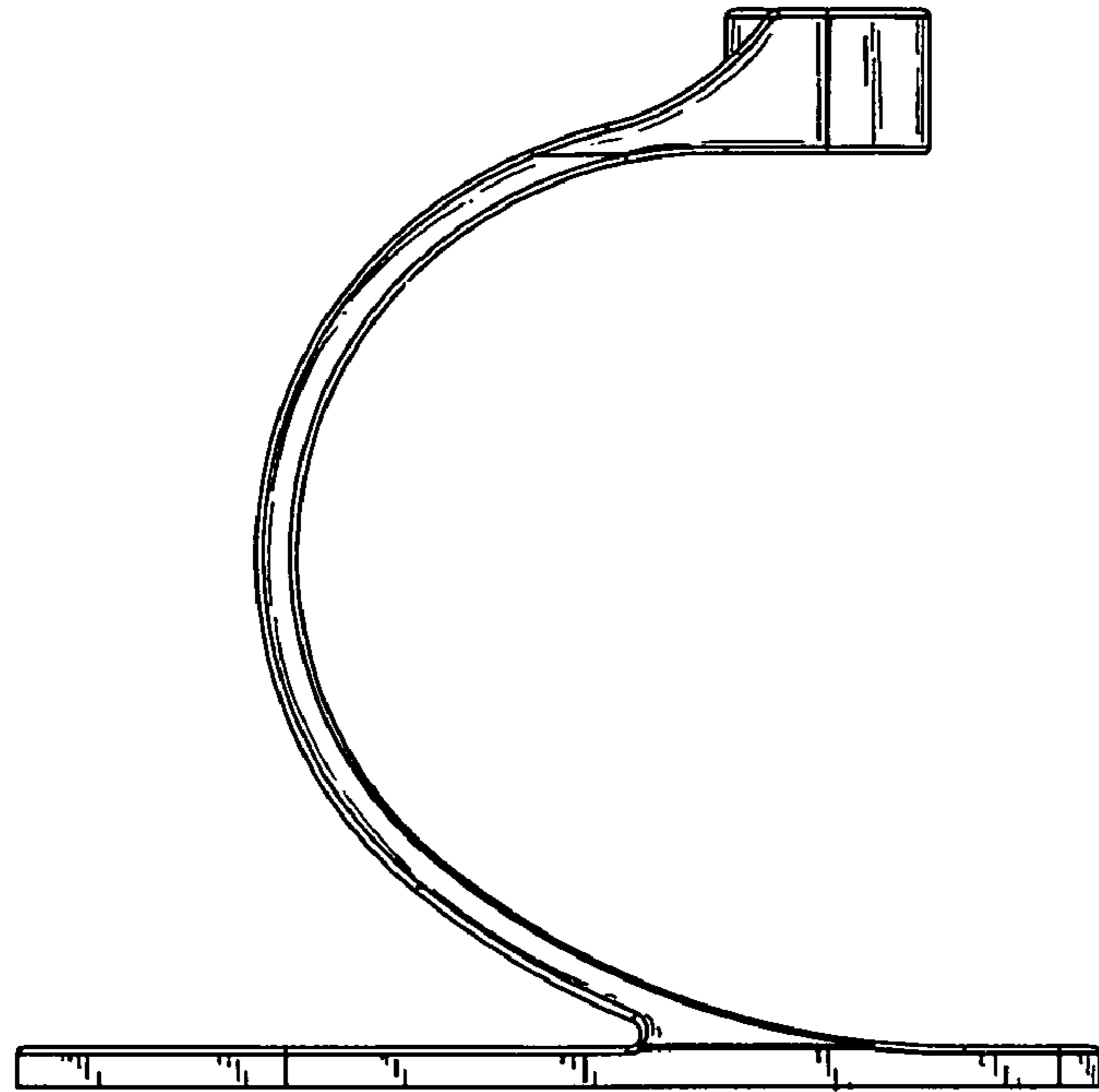


FIG. 6

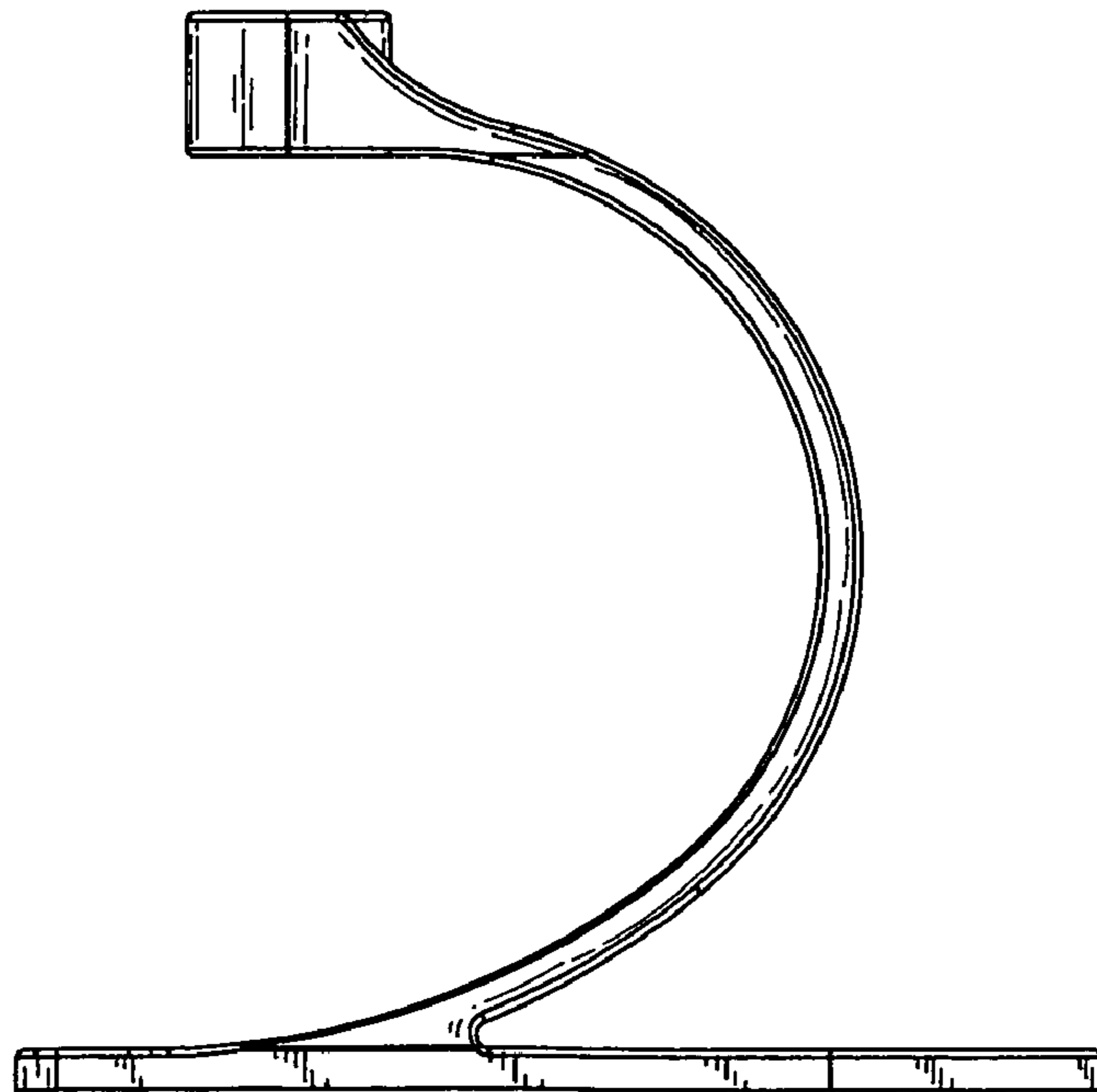


FIG. 7