



US00D595699S

(12) **United States Design Patent**
Skottke

(10) **Patent No.:** **US D595,699 S**

(45) **Date of Patent:** **** Jul. 7, 2009**

(54) **ANTENNA**

(75) Inventor: **Patrik Skottke**, Upplands Vasby (SE)

(73) Assignee: **Smarteq Wireless AB**, Enebyberg (SE)

(**) Term: **14 Years**

(21) Appl. No.: **29/309,015**

(22) Filed: **Jun. 11, 2008**

(30) **Foreign Application Priority Data**

Dec. 11, 2007 (EM) 000840301

(51) **LOC (9) Cl.** **14-03**

(52) **U.S. Cl.** **D14/230**

(58) **Field of Classification Search** D14/230–238,
D14/299, 358, 240; 343/700 R, 840, 841,
343/908; 455/3.02, FOR. 215, 575.2; D22/115;
473/578; D13/184

See application file for complete search history.

(56) **References Cited**

U.S. PATENT DOCUMENTS

| | | | | |
|--------------|---------|---------------|-------|---------|
| D211,028 S * | 5/1968 | Zucconi | | D14/230 |
| D327,691 S * | 7/1992 | Ogawa et al. | | D14/230 |
| D372,896 S * | 8/1996 | Nagele et al. | | D13/103 |
| D424,028 S * | 5/2000 | Vaiani | | D13/184 |
| D454,546 S * | 3/2002 | MacKay | | D13/160 |
| D484,163 S * | 12/2003 | Kim | | D16/219 |
| D486,829 S * | 2/2004 | Wang et al. | | D14/433 |
| D535,982 S * | 1/2007 | Inoue | | D14/230 |

| | | | | |
|-------------------|--------|-----------------|-------|---------|
| D565,534 S * | 4/2008 | Ingalsbe et al. | | D14/155 |
| D567,776 S * | 4/2008 | Wells | | D13/184 |
| 2004/0183734 A1 * | 9/2004 | Noro | | 343/713 |

* cited by examiner

Primary Examiner—T. Chase Nelson

Assistant Examiner—John Windmuller

(74) *Attorney, Agent, or Firm*—Jacobson Holman PLLC

(57) **CLAIM**

The ornamental design for the antenna, as shown and described.

DESCRIPTION

FIG. 1 is a top, front perspective view of the antenna showing my new design;

FIG. 2 is a side elevational view of the antenna shown in FIG. 1;

FIG. 3 is a opposite side elevational view of the antenna shown in FIG. 2;

FIG. 4 is an end elevational view of the antenna shown in FIG. 1;

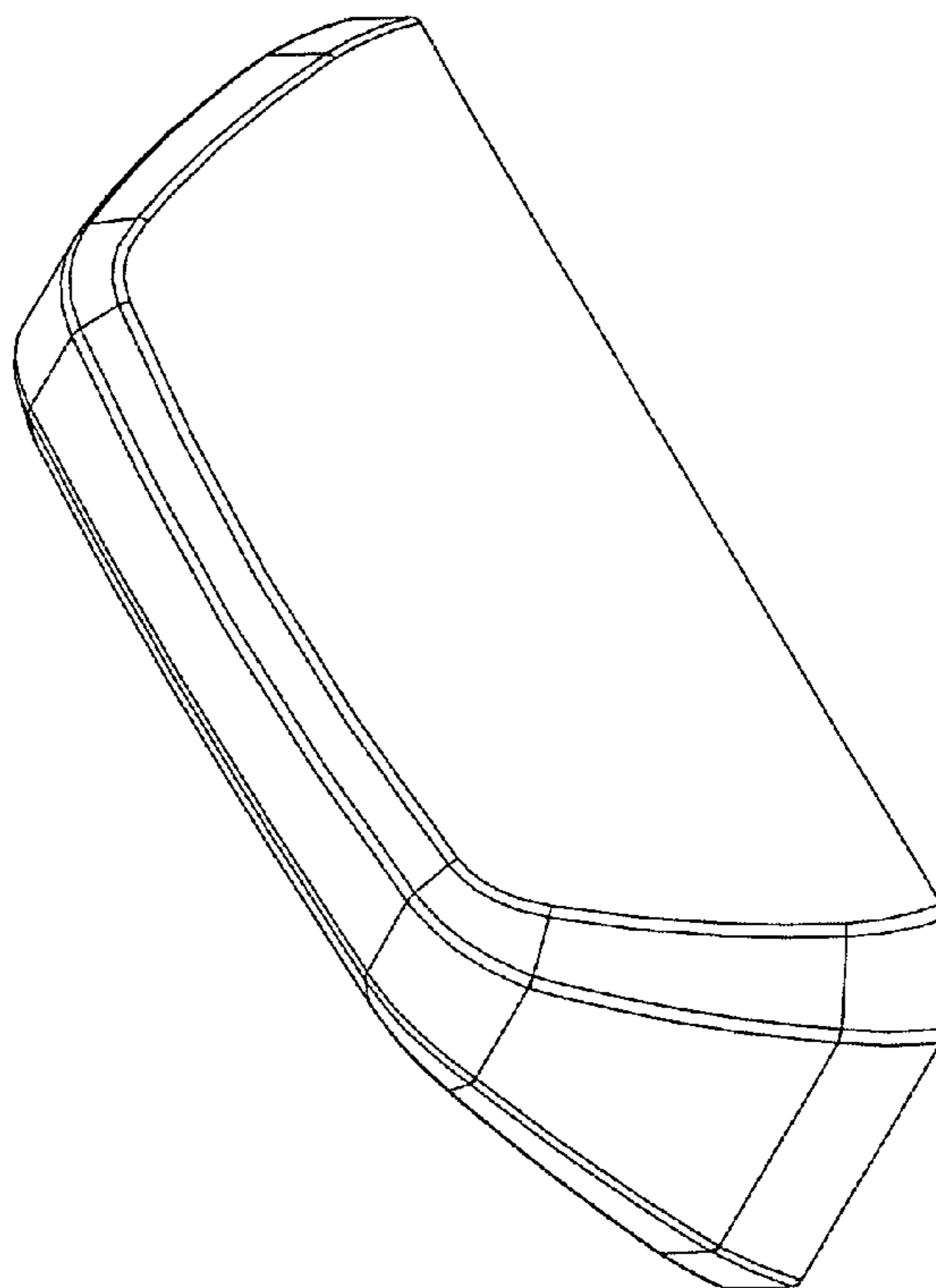
FIG. 5 is an opposite end elevational view of the antenna shown in FIG. 4;

FIG. 6 is a top plan view of the antenna shown in FIG. 1; and,

FIG. 7 is a bottom plan view of that antenna shown in FIG. 1.

The broken lines indicate portions of the antenna that form no part of the claimed design.

1 Claim, 4 Drawing Sheets



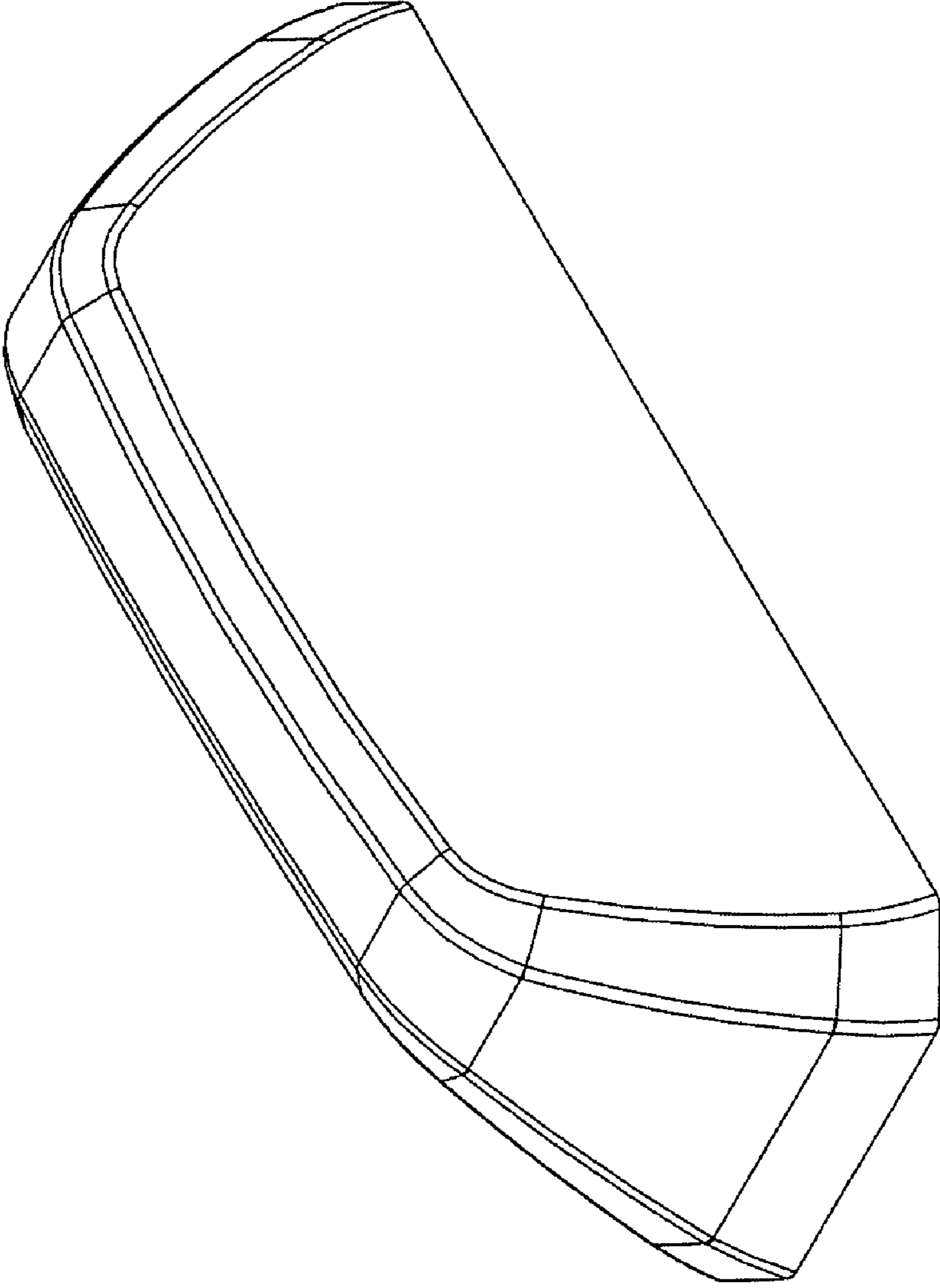


FIG. 1

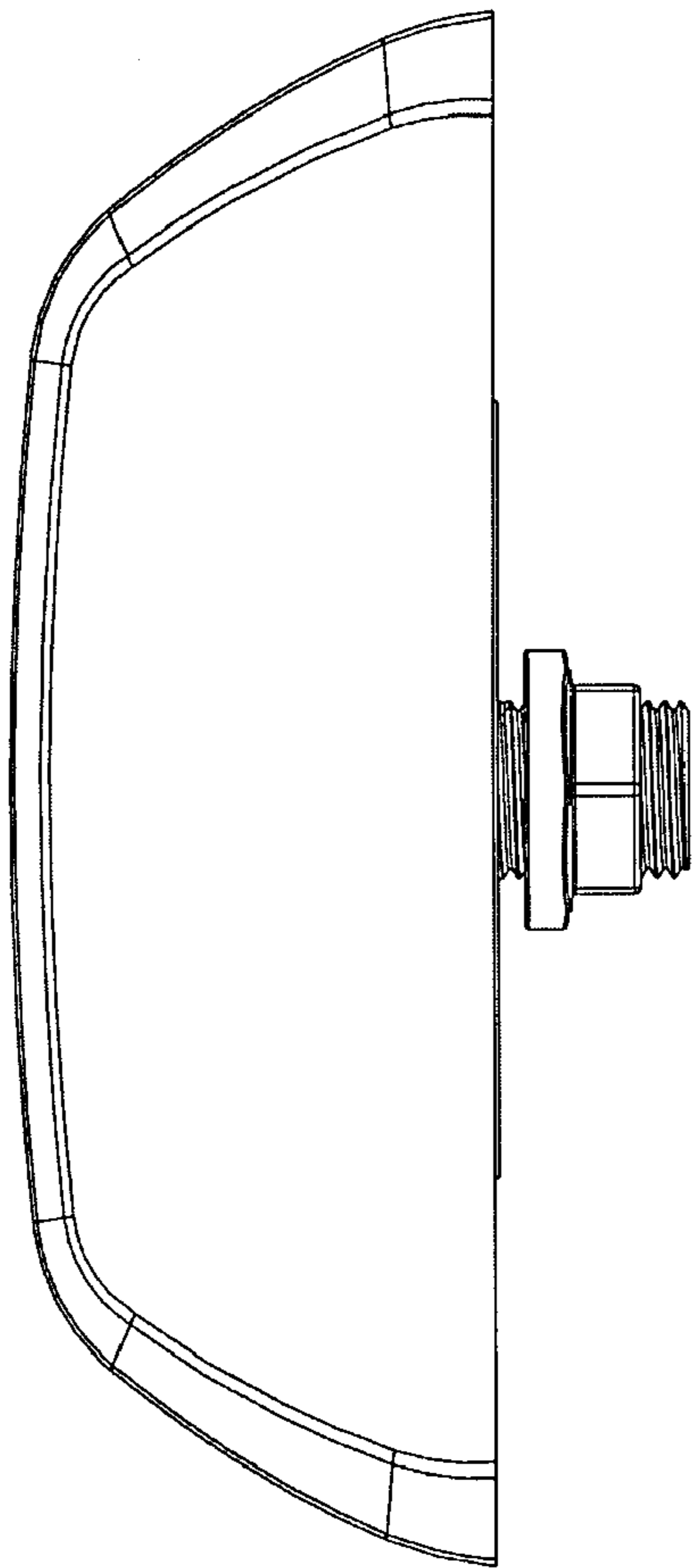


FIG. 2

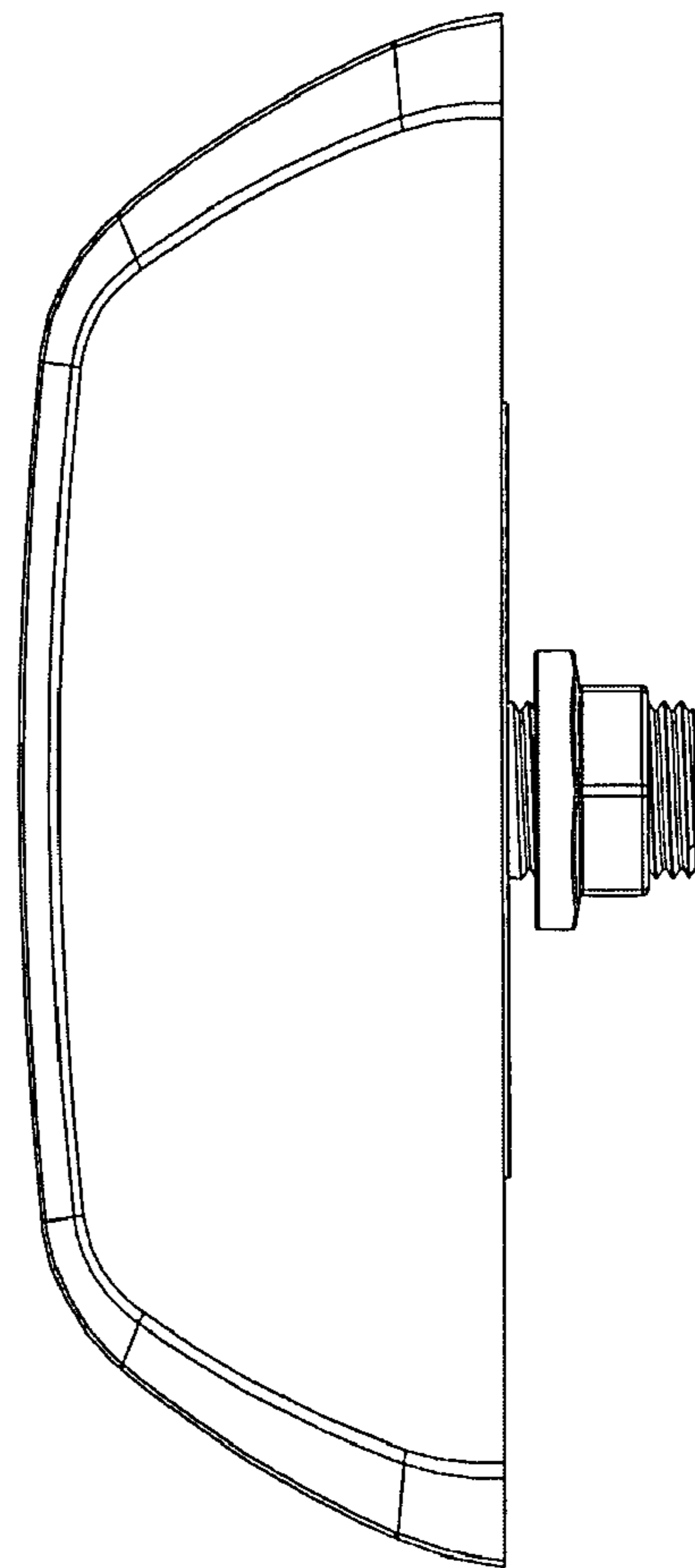


FIG. 3

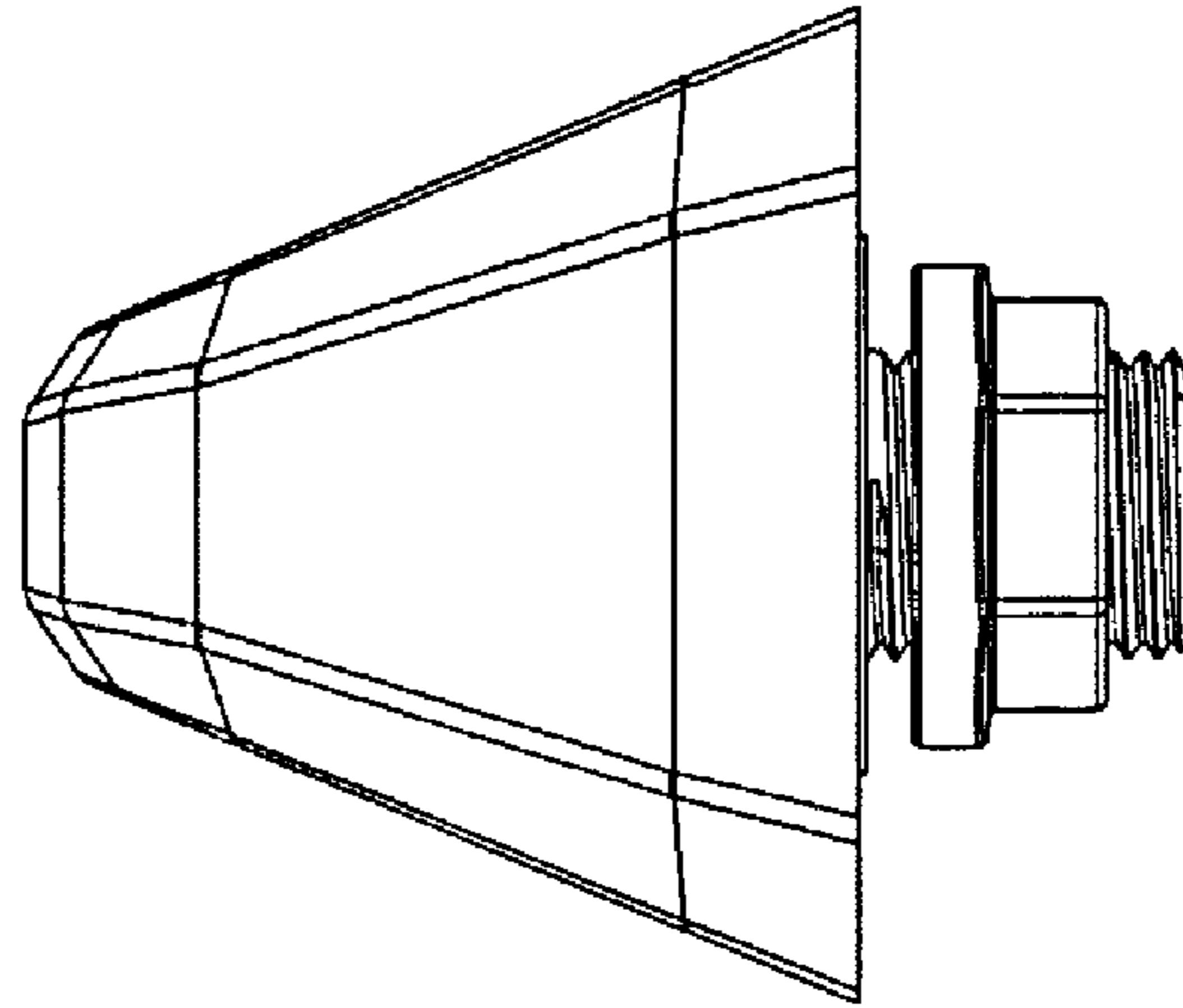


FIG. 4

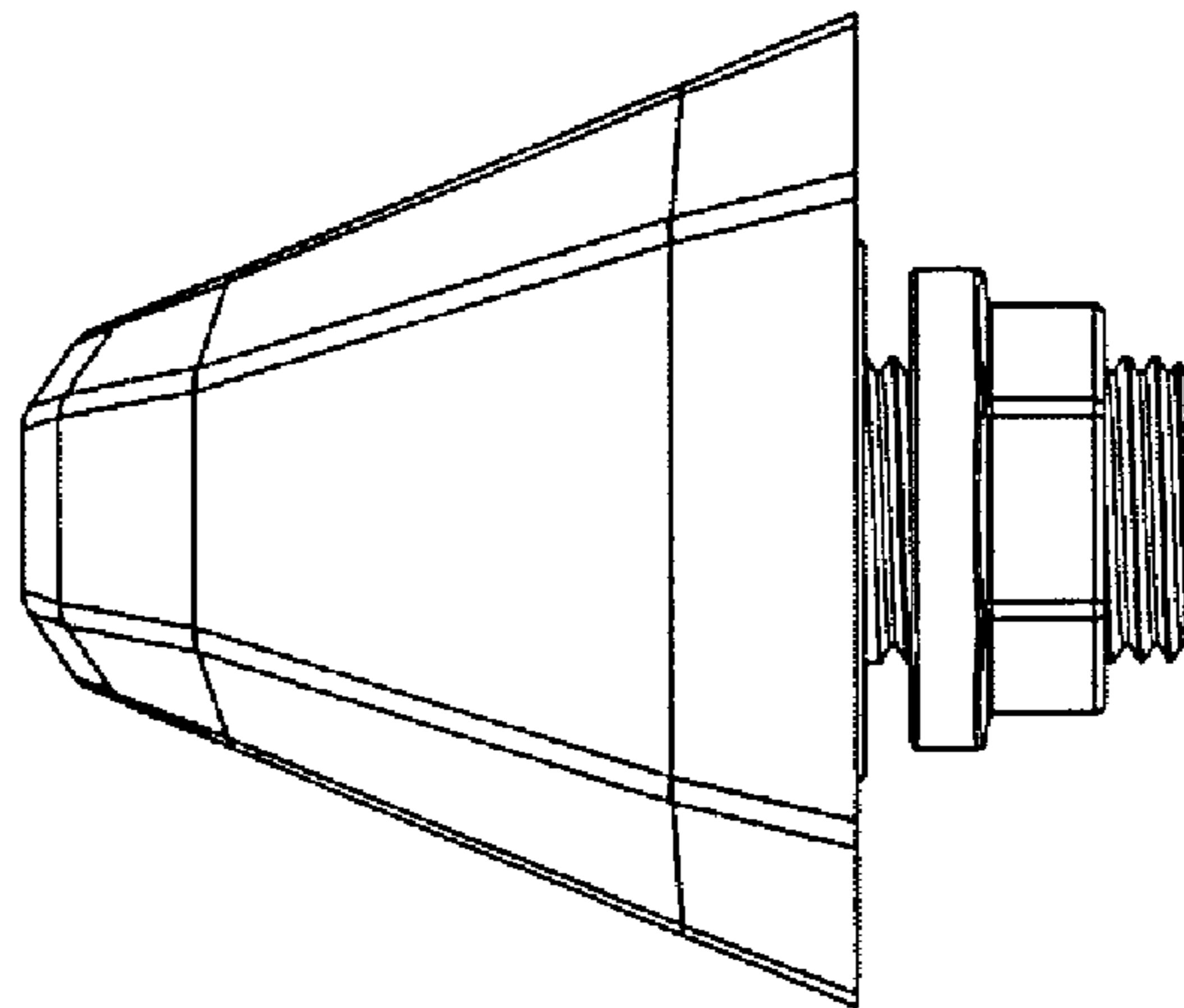


FIG. 5

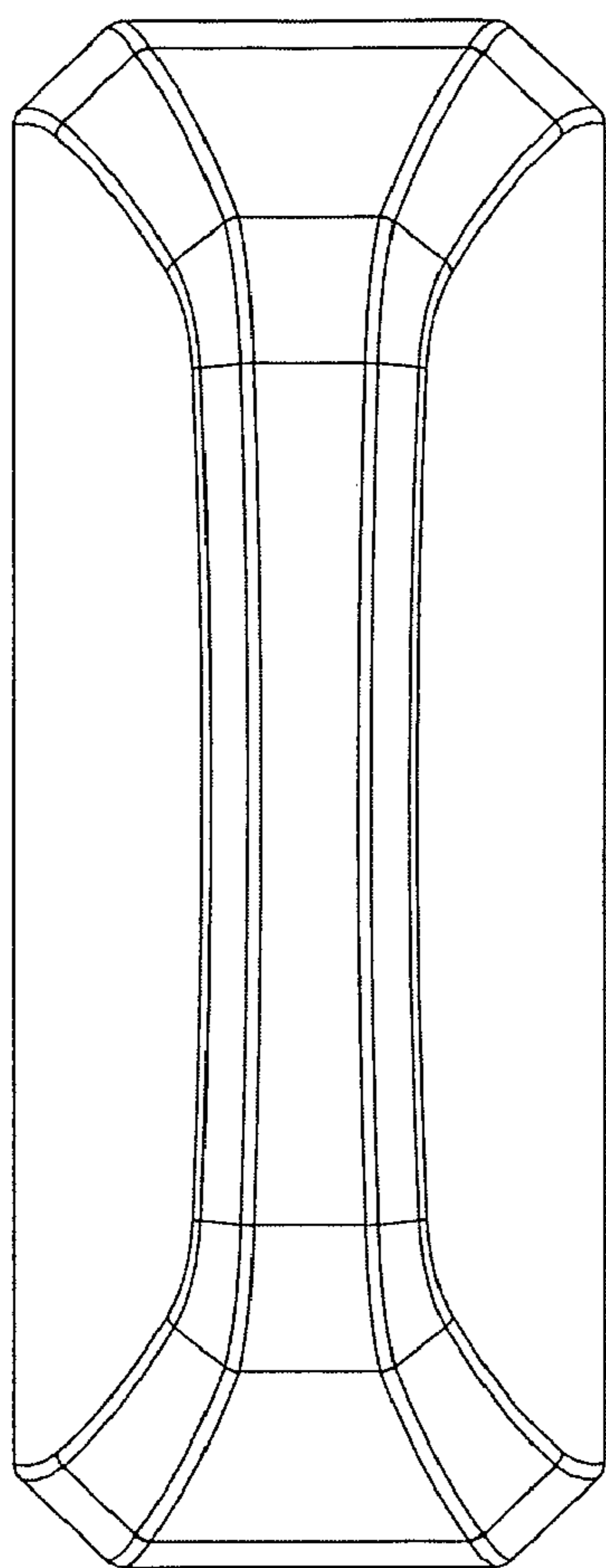


FIG. 6

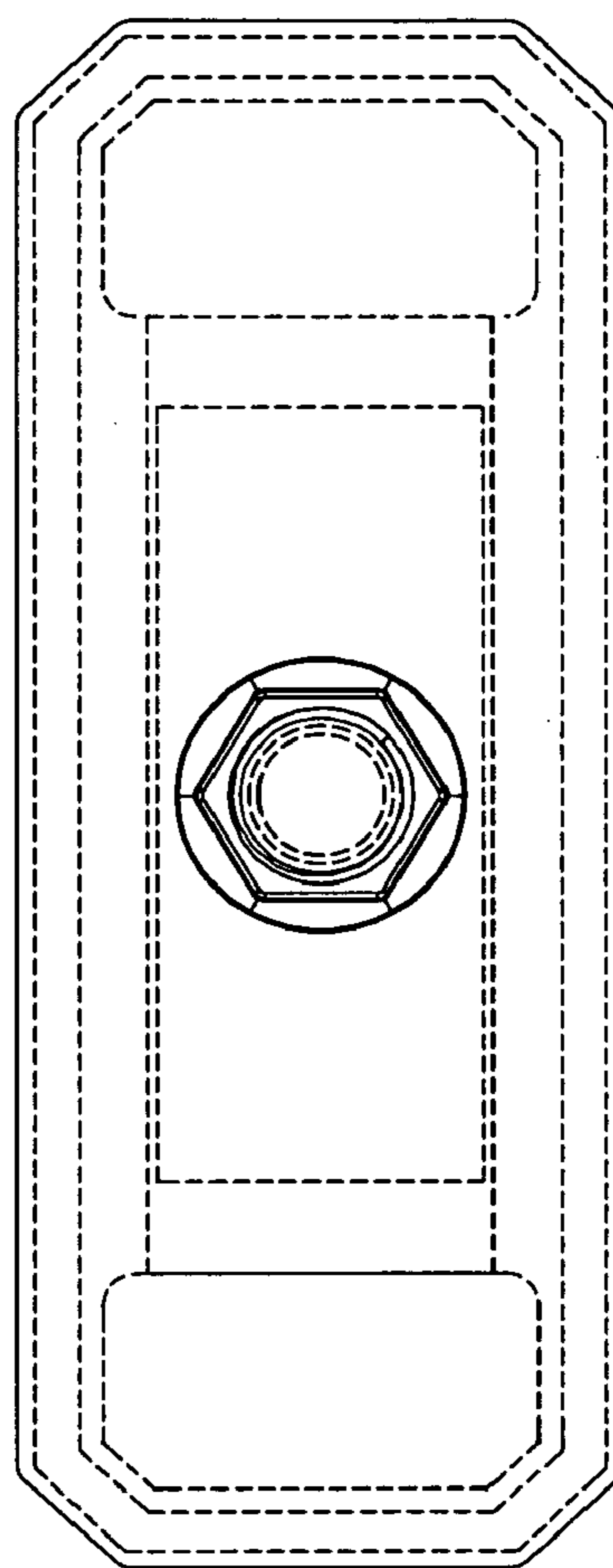


FIG. 7