



US00D595698S

(12) **United States Design Patent**  
**Guccione et al.**

(10) **Patent No.:** **US D595,698 S**  
(45) **Date of Patent:** **\*\* Jul. 7, 2009**

(54) **WIRELESS HEADSET WITH CURVED FRONT FACE**

(75) Inventors: **Darren S. Guccione**, Wheaton, IL (US);  
**Craig B. Lurey**, El Dorado Hills, CA (US)

(73) Assignee: **Callpod Inc.**, Chicago, IL (US)

(\*\*) Term: **14 Years**

(21) Appl. No.: **29/327,552**

(22) Filed: **Nov. 7, 2008**

(51) **LOC (9) Cl.** ..... **14-01**

(52) **U.S. Cl.** ..... **D14/223**

(58) **Field of Classification Search** ..... D14/205,  
D14/206, 223; 181/129, 130; 379/430, 431,  
379/433.01; D24/174; 381/380, 381; 455/569.1,  
455/575.1, 575.2, 575.8, 90.1, 351  
See application file for complete search history.

(56) **References Cited**

**U.S. PATENT DOCUMENTS**

D467,895 S	12/2002	Hirano	
6,772,853 B2	8/2004	Yang	
D532,520 S	11/2006	Kampmeier et al.	
D537,438 S	2/2007	Hermansen	
D538,270 S	3/2007	Kim et al.	
D538,271 S *	3/2007	Kim et al.	D14/223
D539,787 S *	4/2007	Kim et al.	D14/223
D542,267 S *	5/2007	Cha et al.	D14/206
D542,282 S	5/2007	Yoshiyama	
D543,972 S	6/2007	Taylor	
D552,087 S	10/2007	Wei	
D552,596 S *	10/2007	Christopher	D14/205
D559,837 S	1/2008	Nakano	
D562,310 S *	2/2008	Moon et al.	D14/223
D562,808 S	2/2008	Gwee	

D565,033 S	3/2008	Goransson	
D566,104 S	4/2008	Suzuki	
D566,693 S *	4/2008	Jensen et al.	D14/223
D568,290 S	5/2008	Wikel	
D568,301 S *	5/2008	Kim et al.	D14/223
D573,983 S *	7/2008	Bang et al.	D14/223
D575,277 S *	8/2008	Gaarde et al.	D14/223
D575,278 S	8/2008	Guccione et al.	
D581,906 S *	12/2008	Birger	D14/223
D585,430 S *	1/2009	Kim et al.	D14/223
D586,791 S *	2/2009	Birger et al.	D14/223
D588,113 S *	3/2009	Bradford	D14/223

**OTHER PUBLICATIONS**

U.S. Appl. No. 11/857,521, filed Sep. 19, 2007.

\* cited by examiner

*Primary Examiner*—Paula Greene

(74) *Attorney, Agent, or Firm*—Levenfeld Pearlstein, LLC

(57) **CLAIM**

The ornamental design for a wireless headset with curved front face, as shown and described.

**DESCRIPTION**

FIG. 1 is a front, top perspective view of a wireless headset with curved front face;

FIG. 2 is a front view thereof;

FIG. 3 is a rear view thereof;

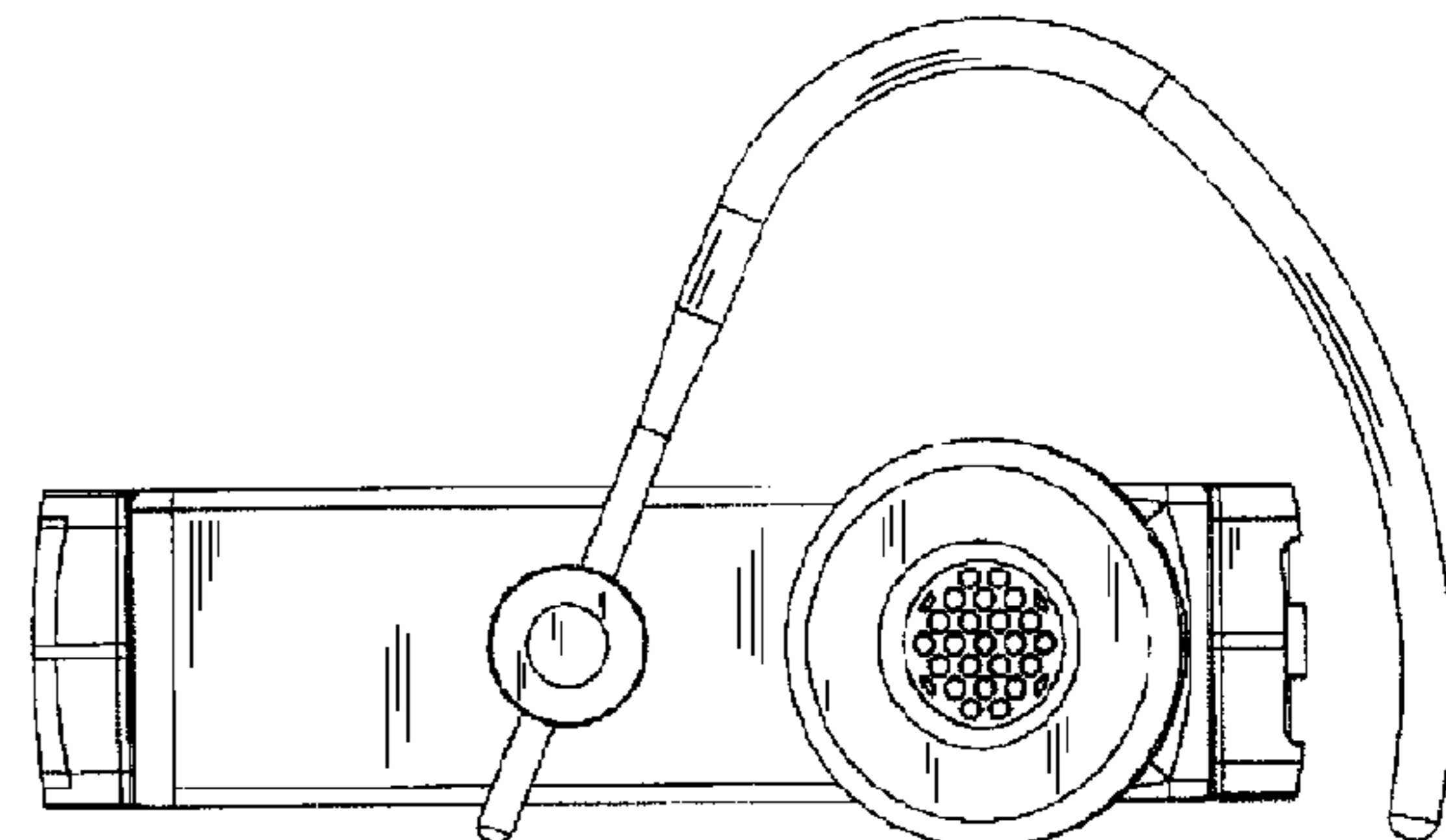
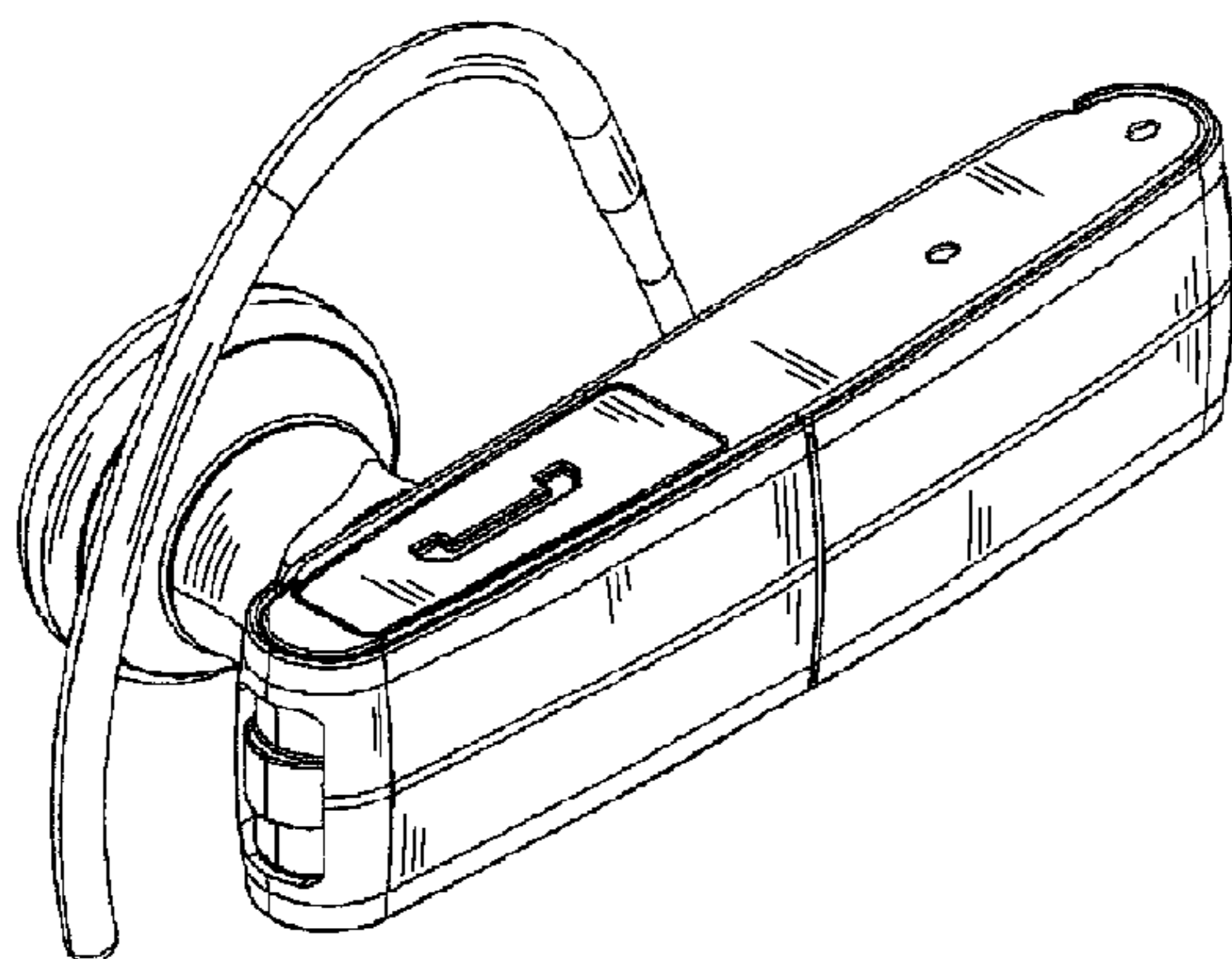
FIG. 4 is a top view thereof;

FIG. 5 is a bottom view thereof;

FIG. 6 is a side view thereof, as seen from the right-hand side of FIG. 2; and,

FIG. 7 is a side view thereof, as seen from the left-hand side of FIG. 2.

**1 Claim, 1 Drawing Sheet**



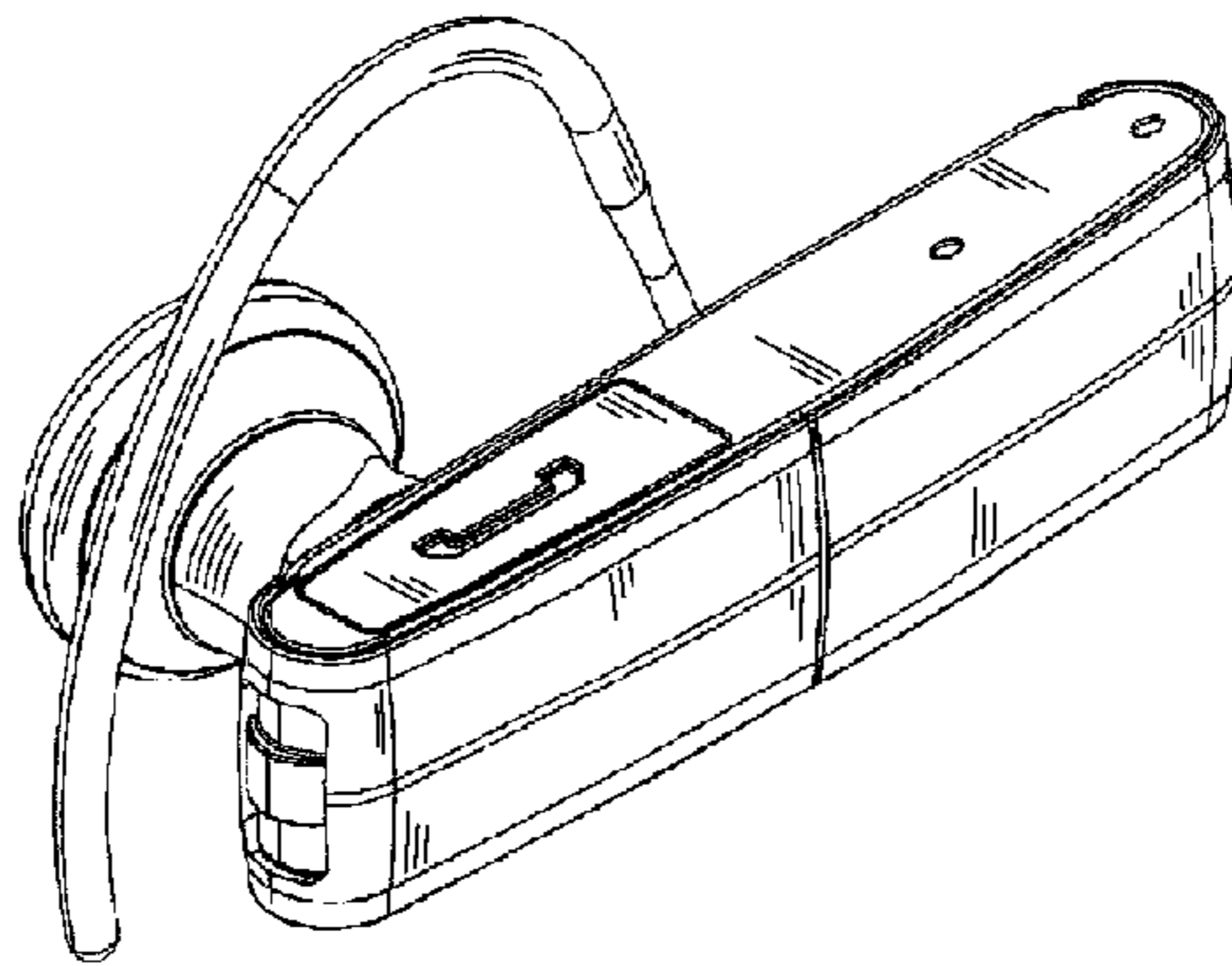


FIG. 1

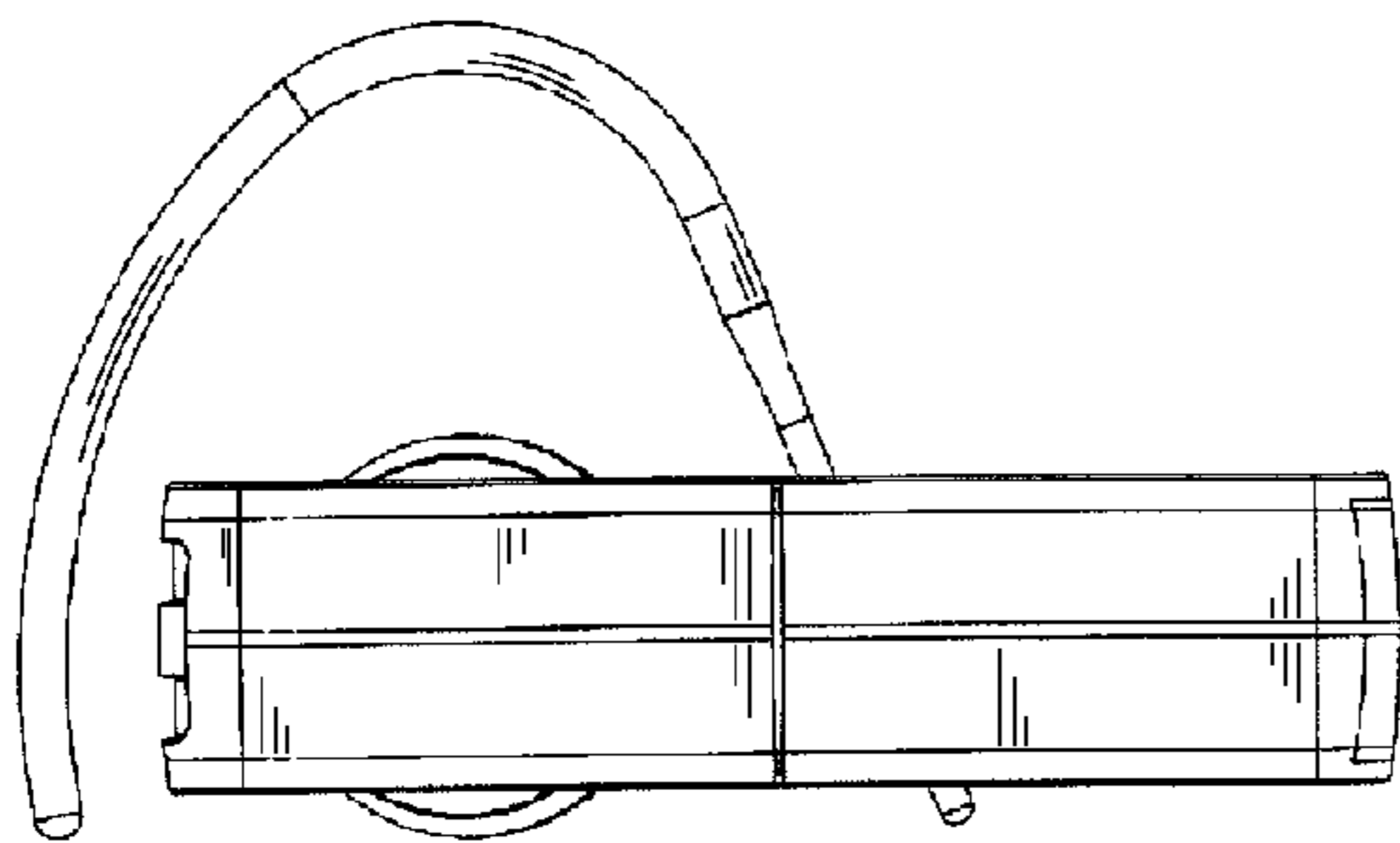


FIG. 2

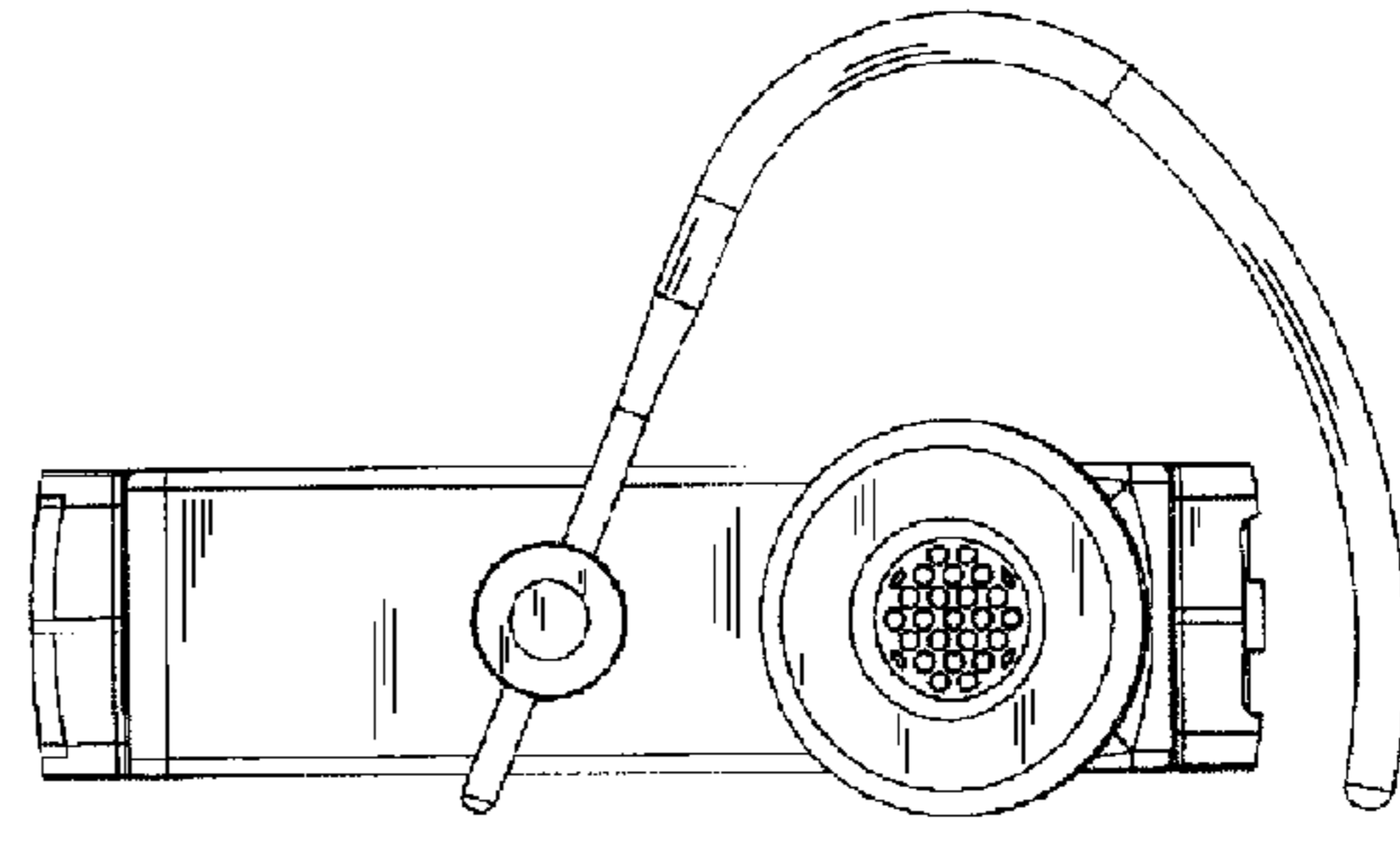


FIG. 3

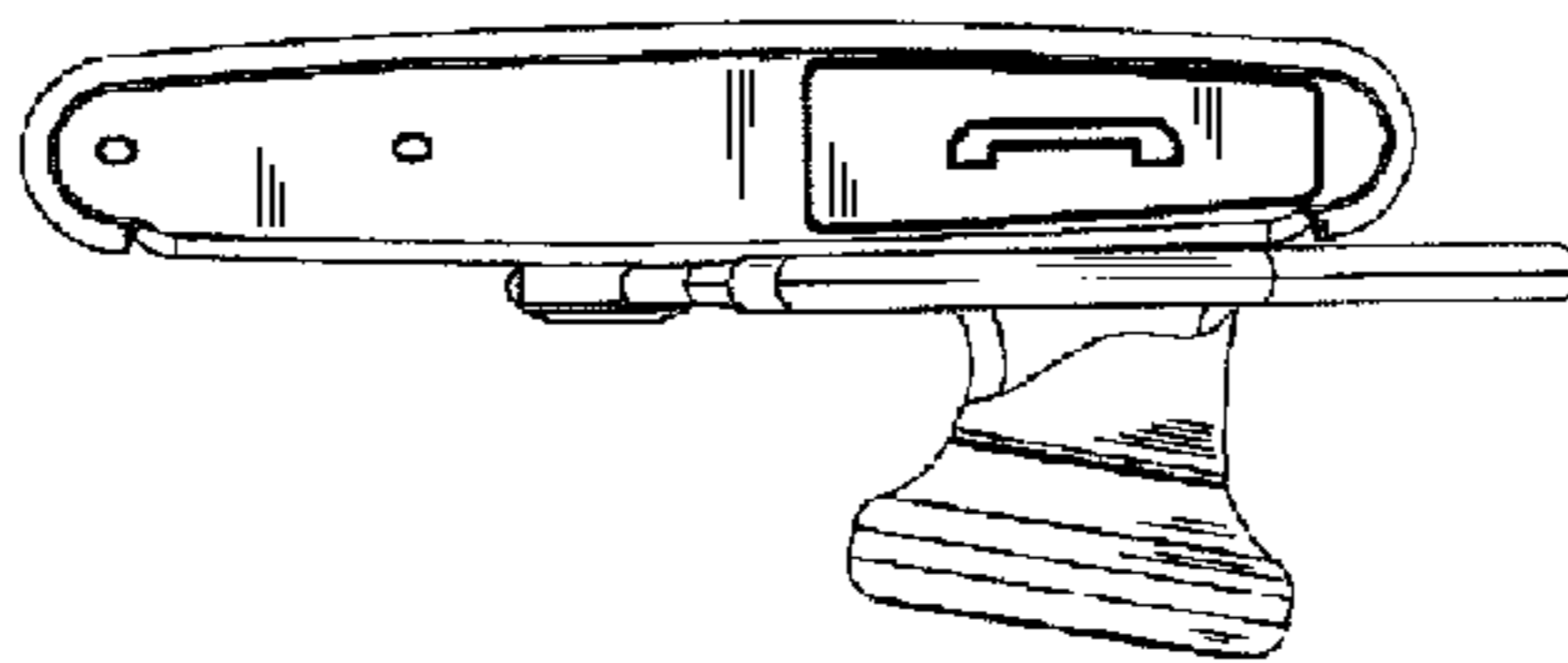


FIG. 4

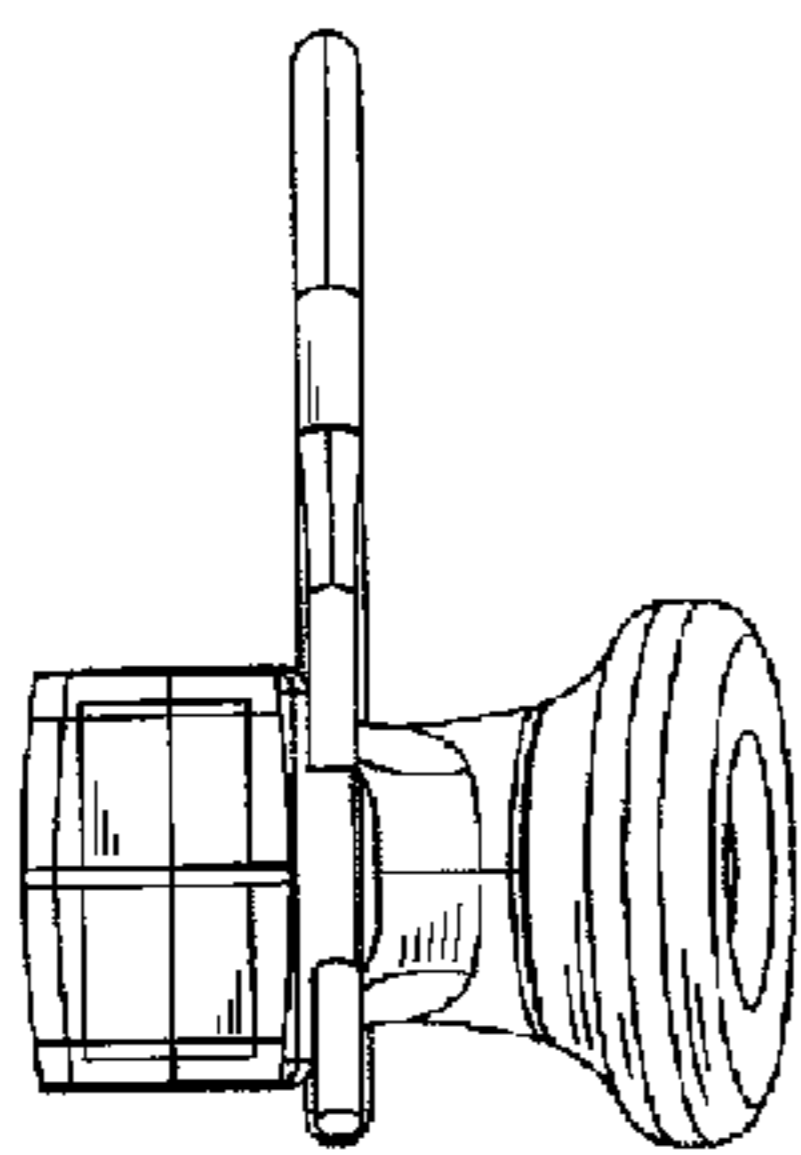


FIG. 6

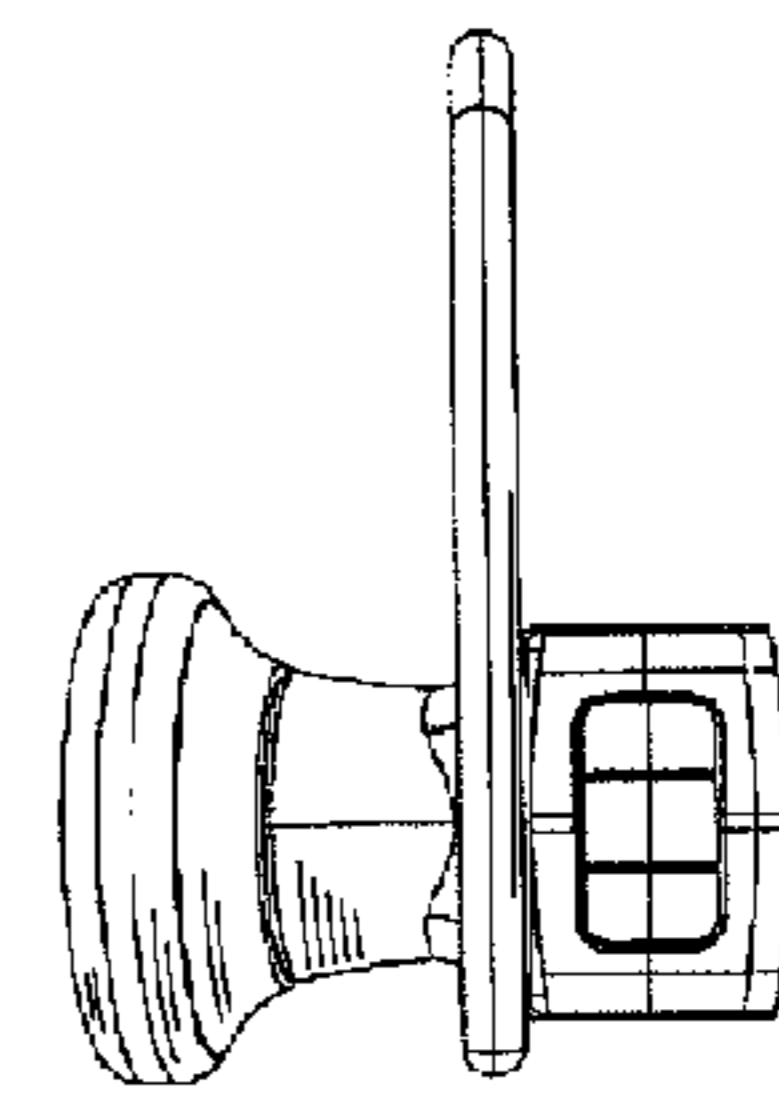


FIG. 7

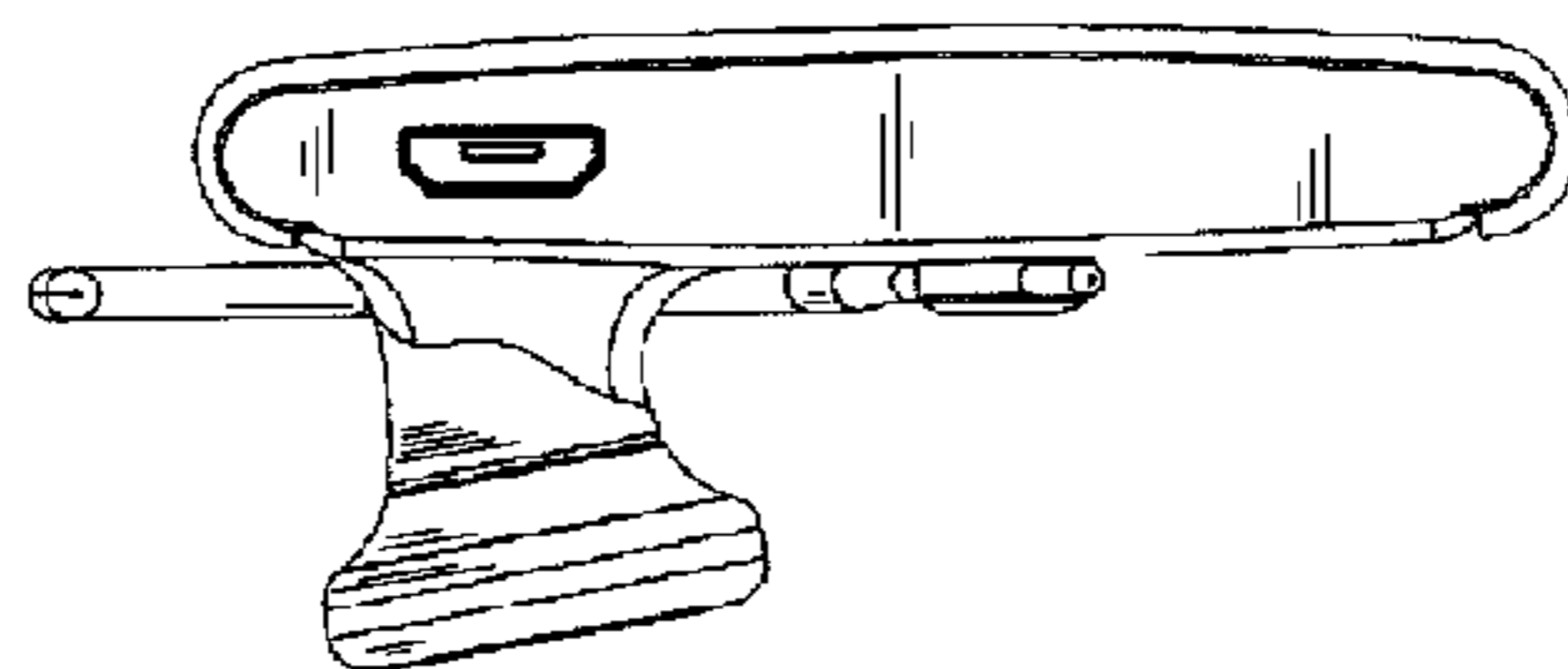


FIG. 5