



US00D595697S

(12) **United States Design Patent**  
**Mao et al.**

(10) **Patent No.:** **US D595,697 S**  
(45) **Date of Patent:** **\*\* Jul. 7, 2009**

(54) **HEADSET AND CRADLE**

D576,997 S \* 9/2008 Furuno et al. .... D14/149

(75) Inventors: **Xiadong Mao**, Foster City, CA (US);  
**Seth Luisi**, Millbrae, CA (US); **Anand**  
**Agarwal**, Mountain View, CA (US);  
**Ennin Huang**, Santa Clara, CA (US)

\* cited by examiner

*Primary Examiner*—Paula Greene

(74) *Attorney, Agent, or Firm*—Martine Penilla &  
Gencarella, LLP

(73) Assignee: **Sony Computer Entertainment Inc.**  
(JP)

(57) **CLAIM**

(\*\*) Term: **14 Years**

The ornamental design for a headset and cradle, as shown and described.

(21) Appl. No.: **29/318,189**

**DESCRIPTION**

(22) Filed: **May 15, 2008**

(51) **LOC (9) Cl.** ..... **14-01**

(52) **U.S. Cl.** ..... **D14/223; D14/205**

(58) **Field of Classification Search** ..... D14/205,  
D14/206, 223, 224, 142, 147, 137, 138 R,  
D14/149, 192, 240, 248, 251, 155, 434, 191,  
D14/253, 227; D13/107, 108; 455/411,  
455/573; 181/129, 130; 379/430, 431; 381/370,  
381/380, 381

FIG. 1 is a front perspective view of the headset and cradle showing our new design;

FIG. 2 is a front elevational view thereof;

FIG. 3 is a rear elevational view thereof;

FIG. 4 is a left side elevational view thereof;

FIG. 5 is a right side elevational view thereof;

FIG. 6 is a top plan view thereof; and

FIG. 7 is a bottom plan view thereof.

FIG. 8 is a front perspective view of the headset shown separately for purposes of illustration;

FIG. 9 is a front elevational view thereof;

FIG. 10 is a rear elevational view thereof;

FIG. 11 is a left side elevational view thereof;

FIG. 12 is a right side elevational view thereof;

FIG. 13 is a top plan view thereof;

FIG. 14 is a bottom plan view thereof; and,

FIG. 15 is an exploded front perspective view of the headset and cradle.

The broken lines form no part of the claimed design.

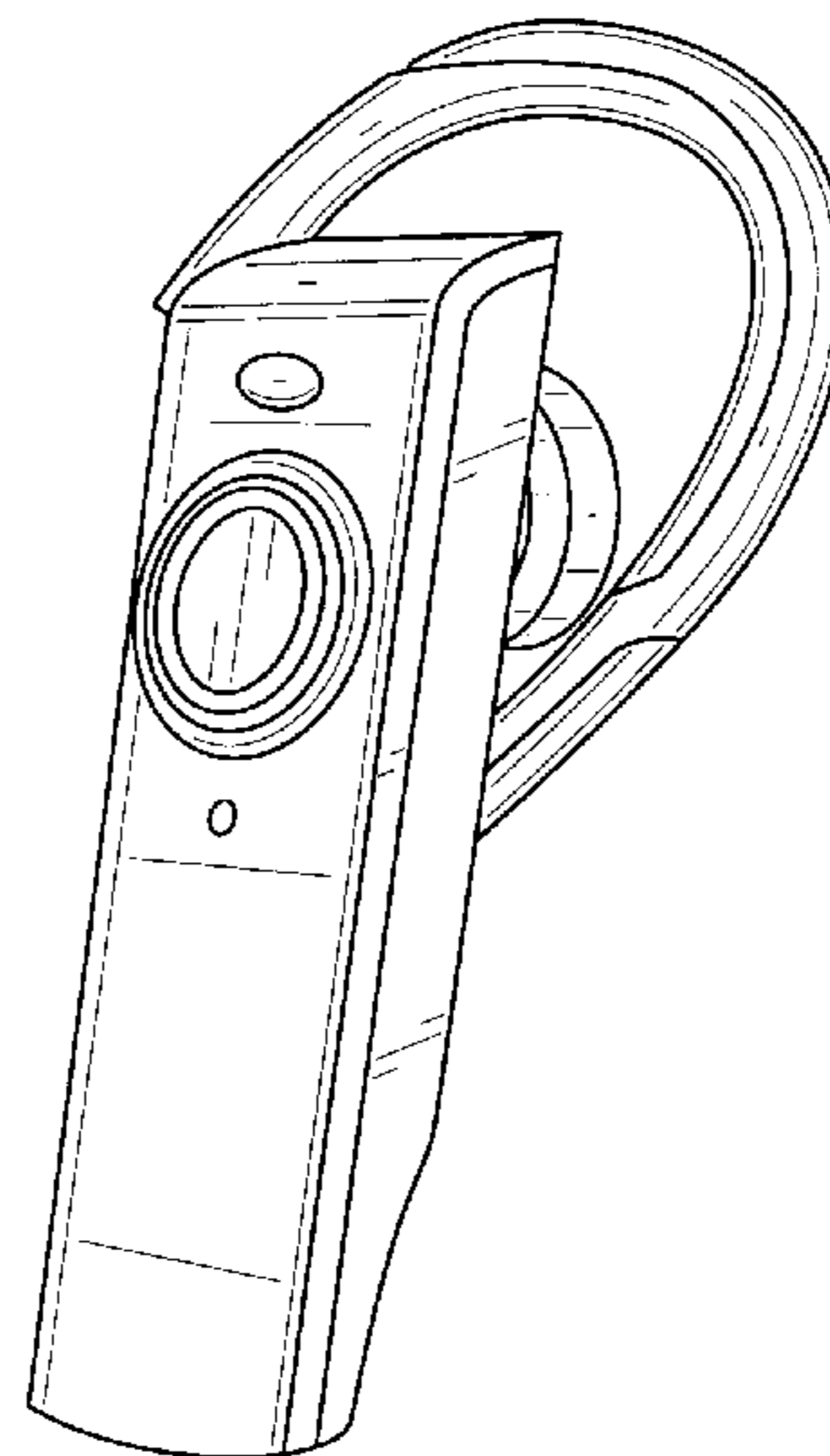
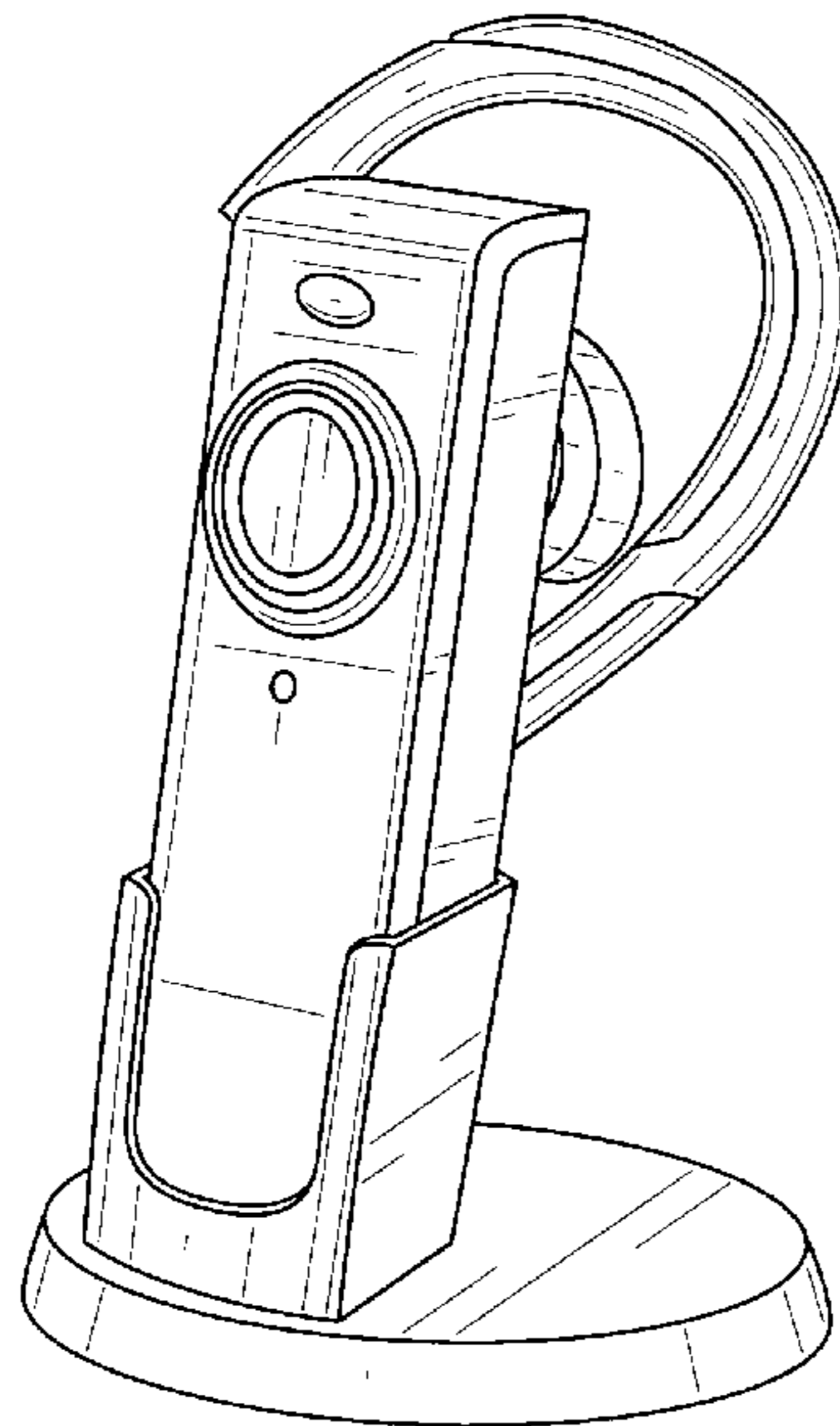
See application file for complete search history.

(56) **References Cited**

**U.S. PATENT DOCUMENTS**

D275,482 S *	9/1984	Coons et al. ....	D14/253
D301,456 S *	6/1989	Siddoway .....	D13/107
D327,060 S *	6/1992	Wachob et al. ....	D14/138 R
5,230,016 A *	7/1993	Yasuda .....	455/573
D353,371 S *	12/1994	Delhaes .....	D14/149
D395,280 S *	6/1998	Phelps .....	D13/108
D469,073 S *	1/2003	Muensch et al. ....	D14/149
D528,529 S *	9/2006	Rose et al. ....	D14/138 R
D528,531 S *	9/2006	Rose et al. ....	D14/138 R
D535,615 S *	1/2007	Iwai .....	D13/108
D538,792 S *	3/2007	Kim et al. ....	D14/223
D542,267 S *	5/2007	Cha et al. ....	D14/206

**1 Claim, 13 Drawing Sheets**



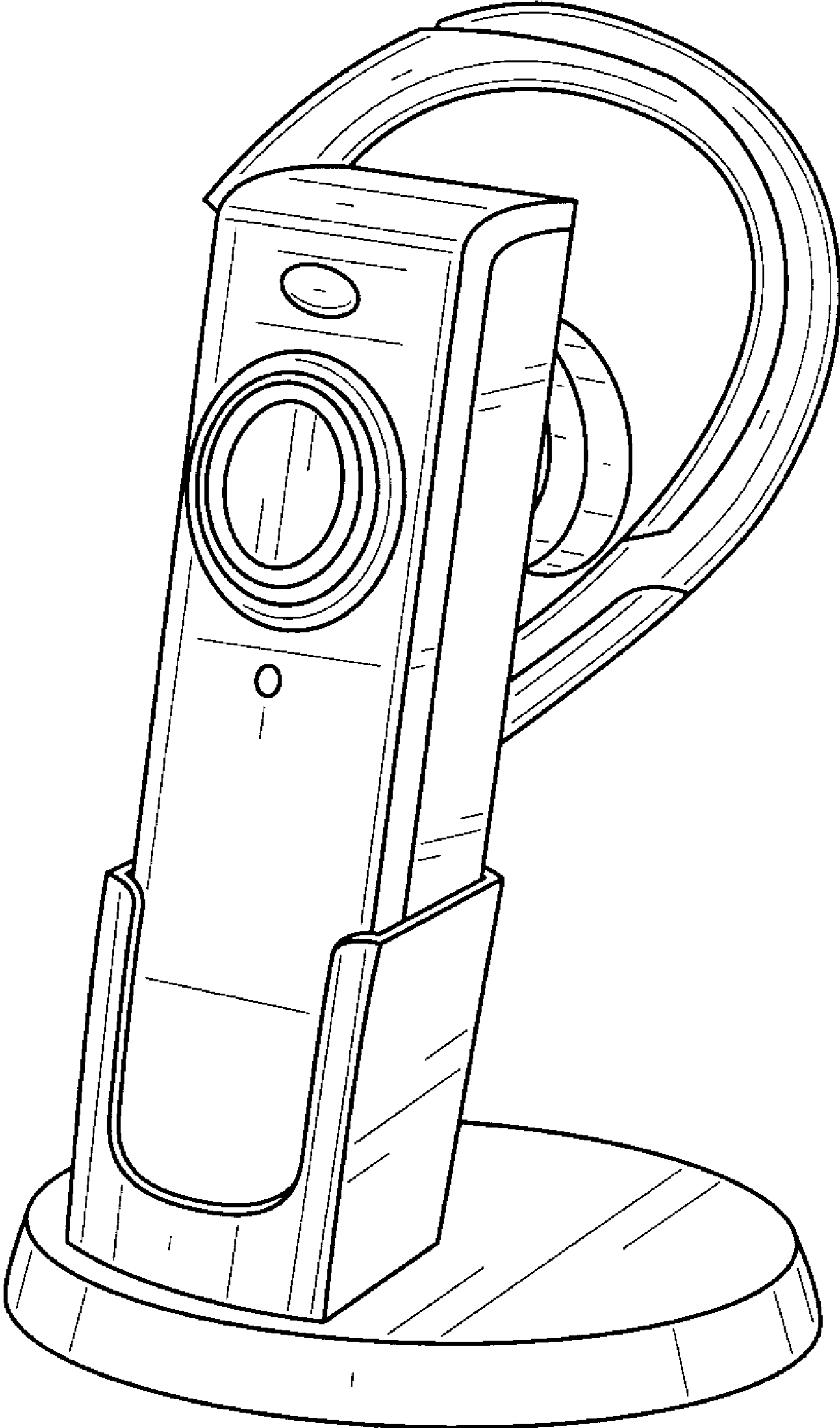


FIG. 1

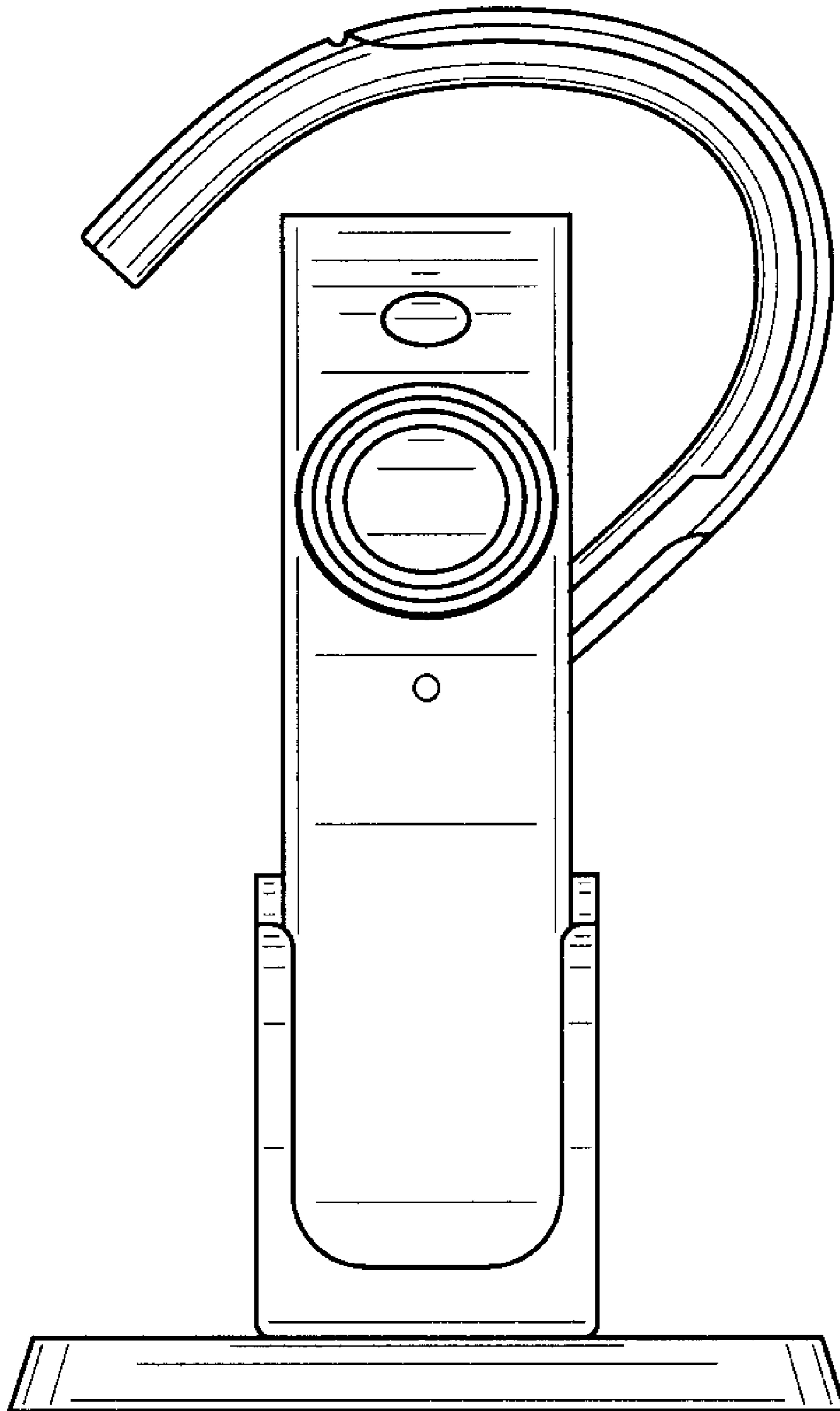


FIG. 2

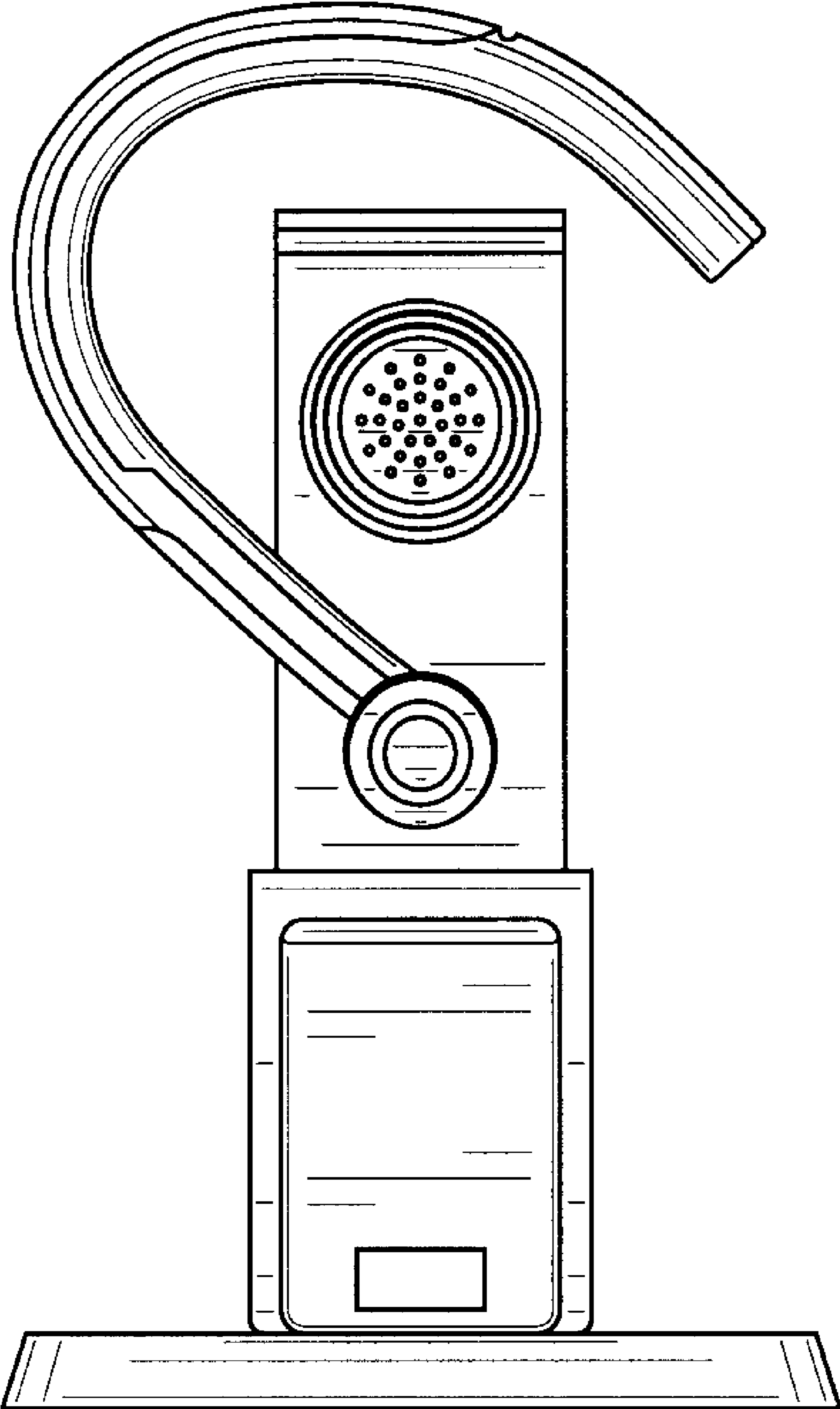


FIG. 3

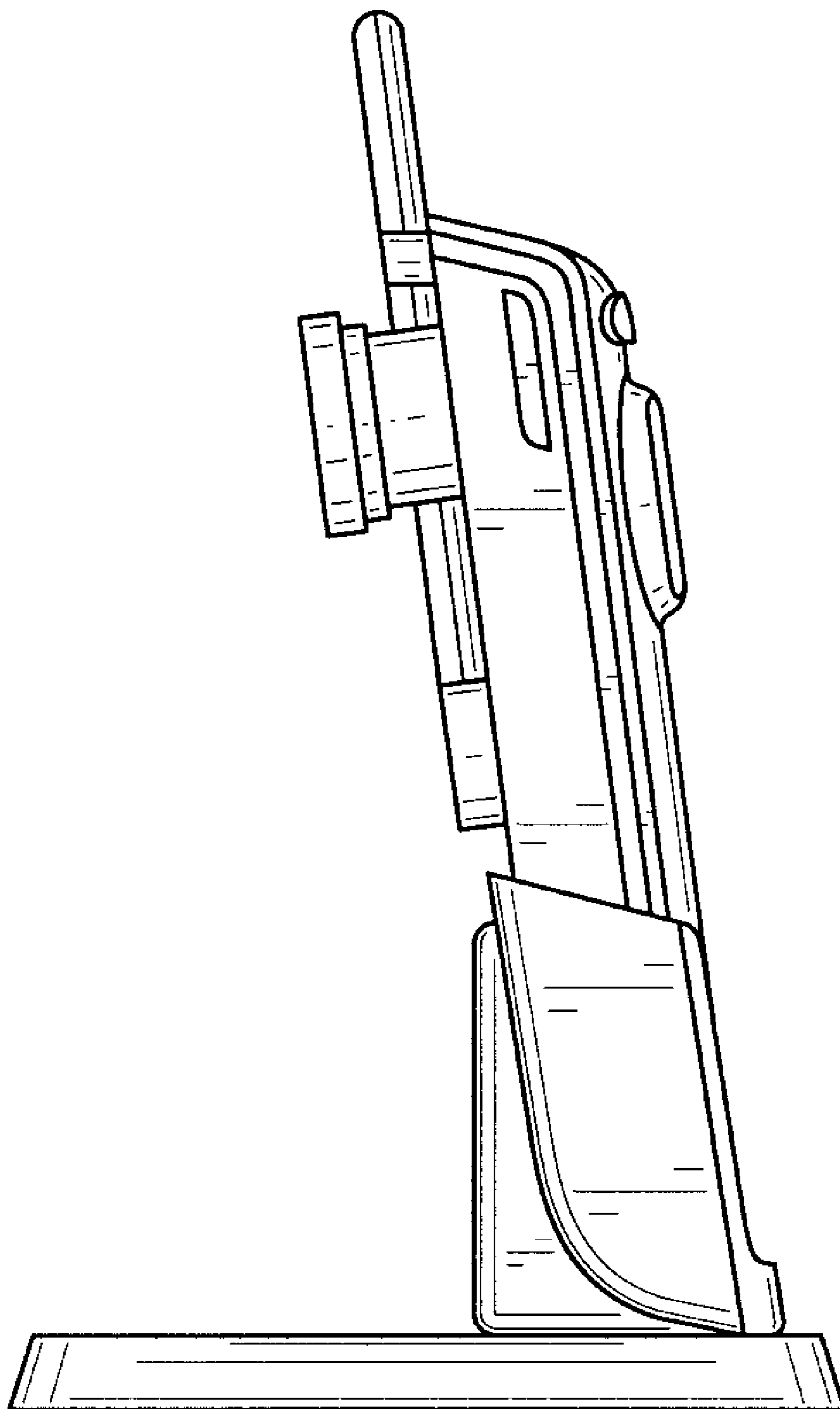


FIG. 4

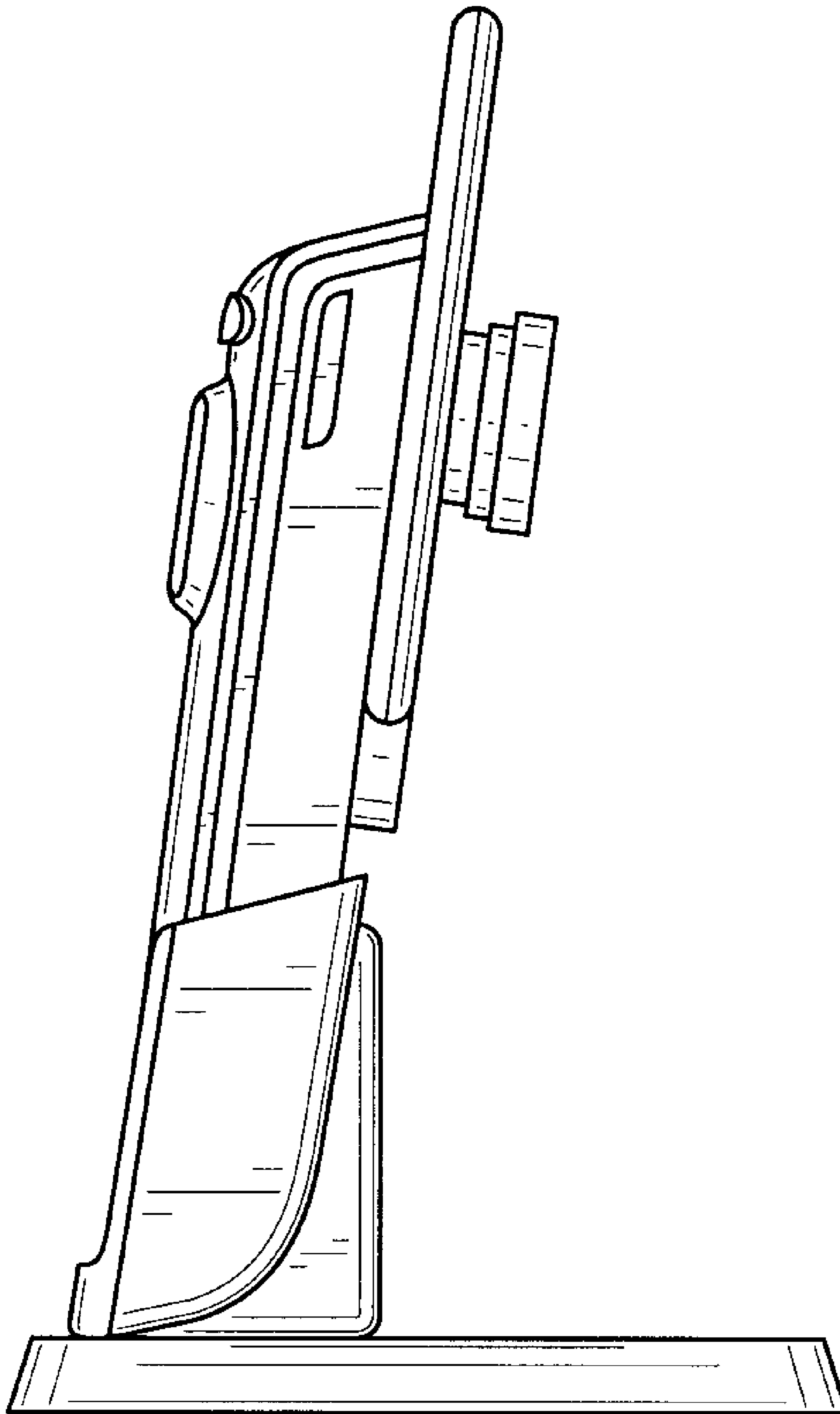


FIG. 5

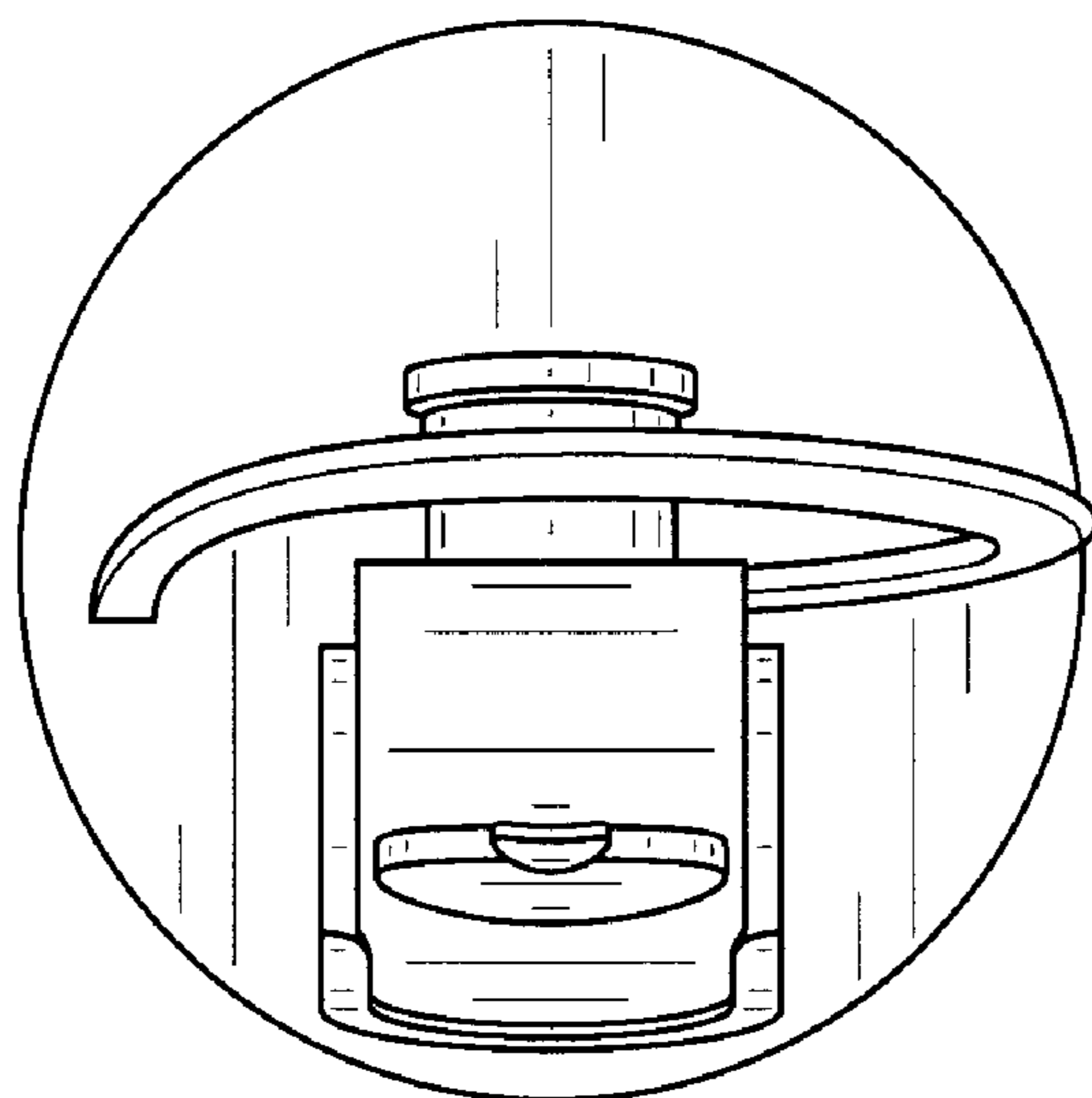


FIG. 6

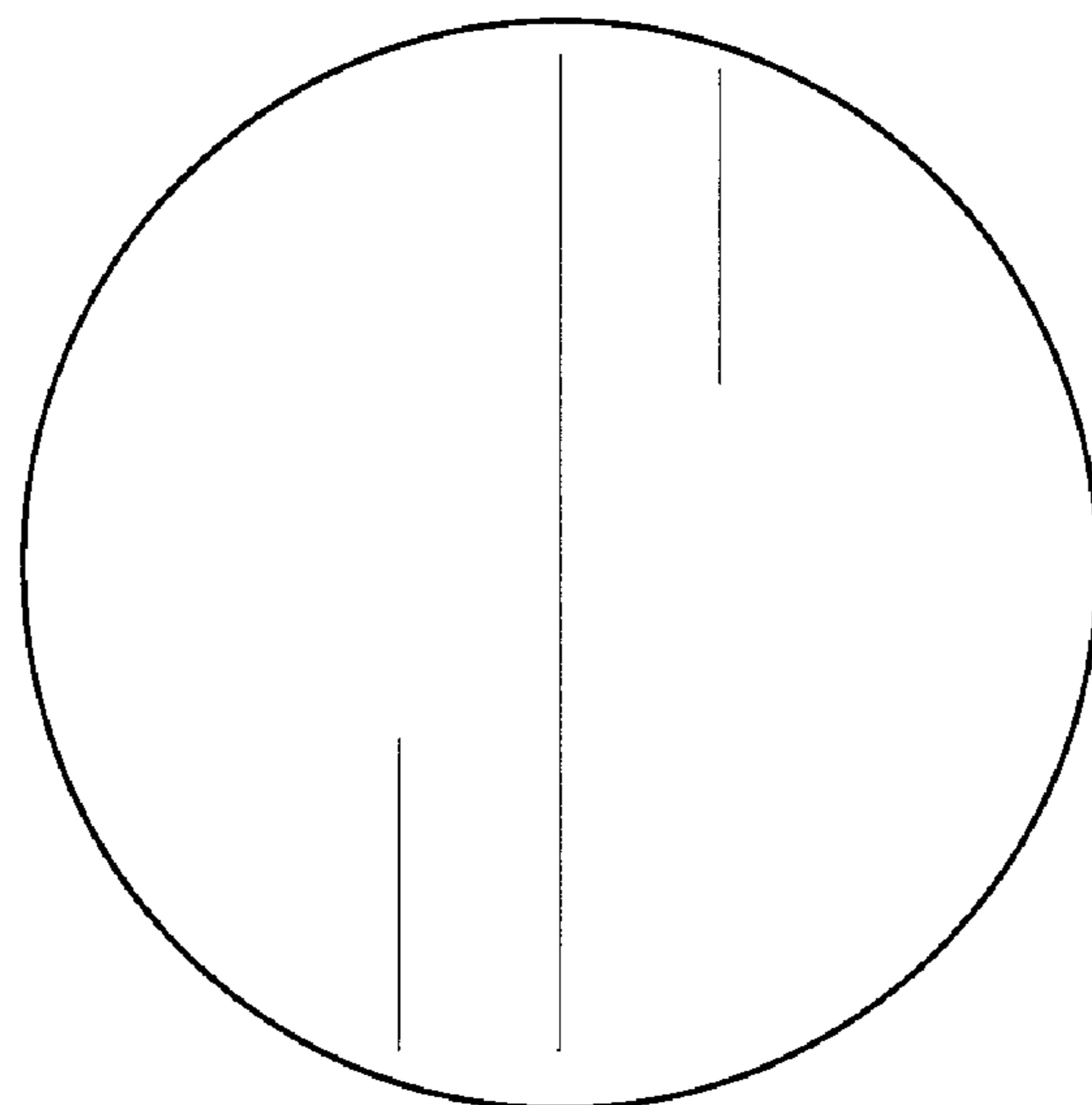


FIG. 7



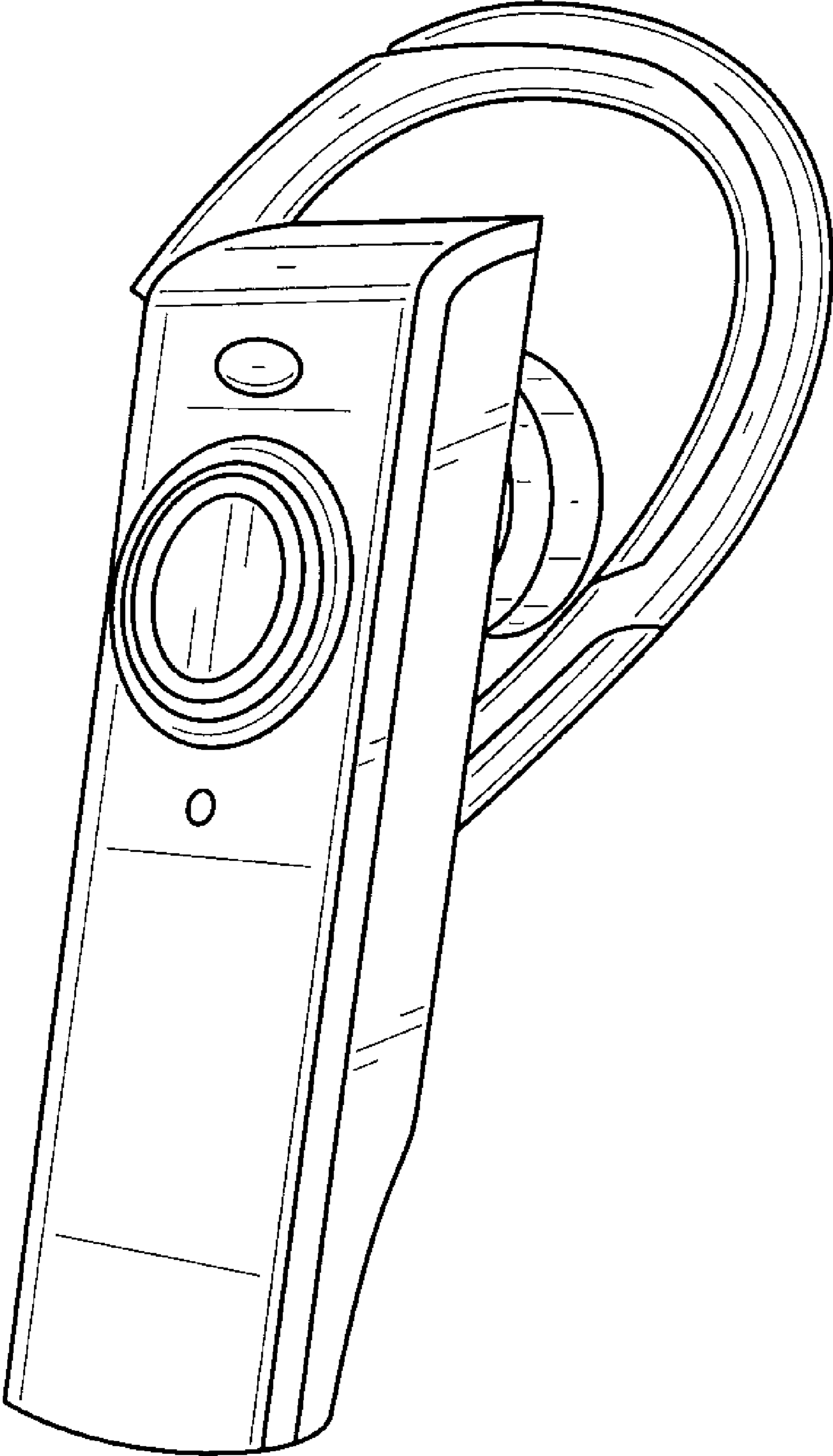


FIG. 8



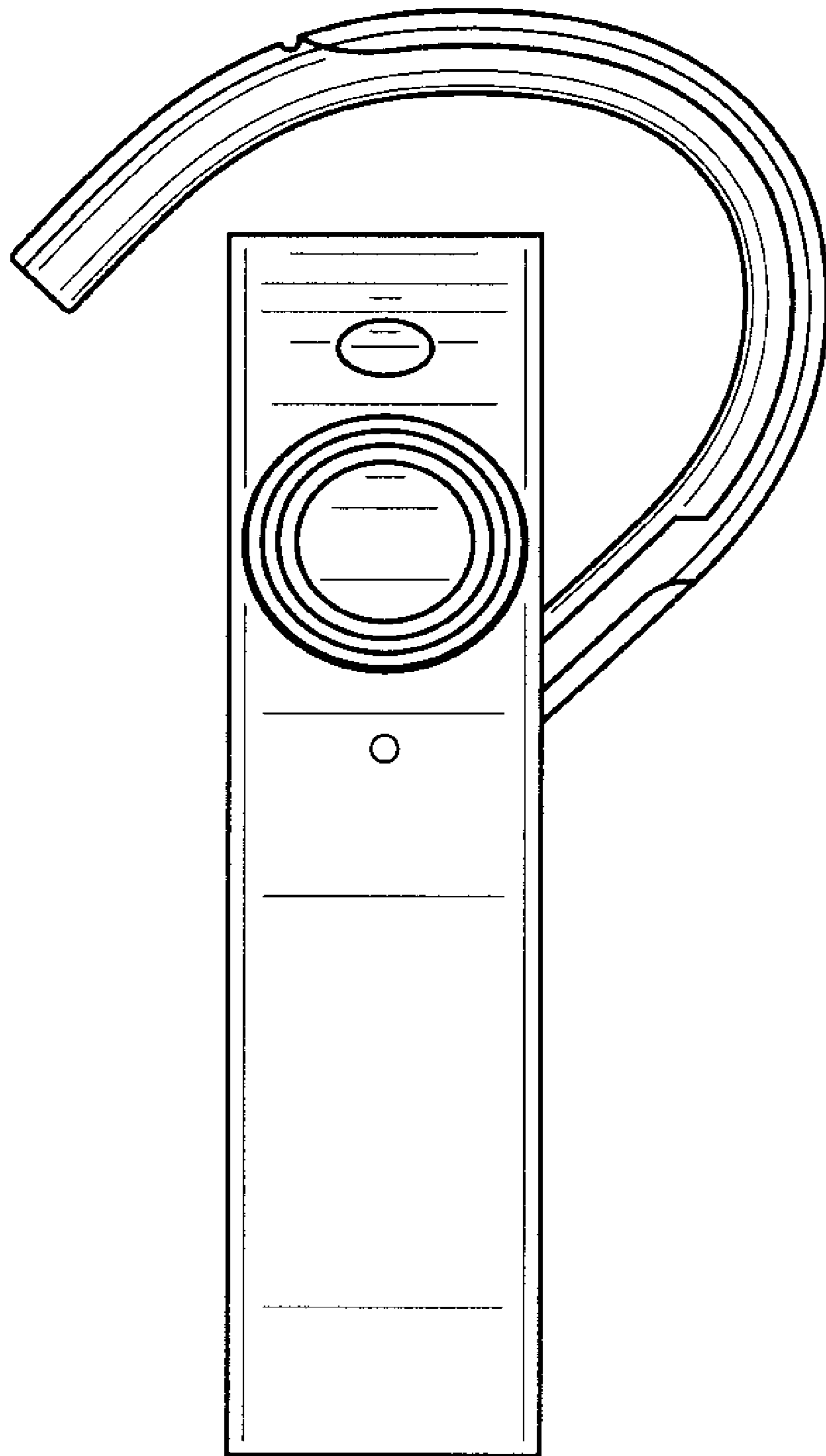


FIG. 9

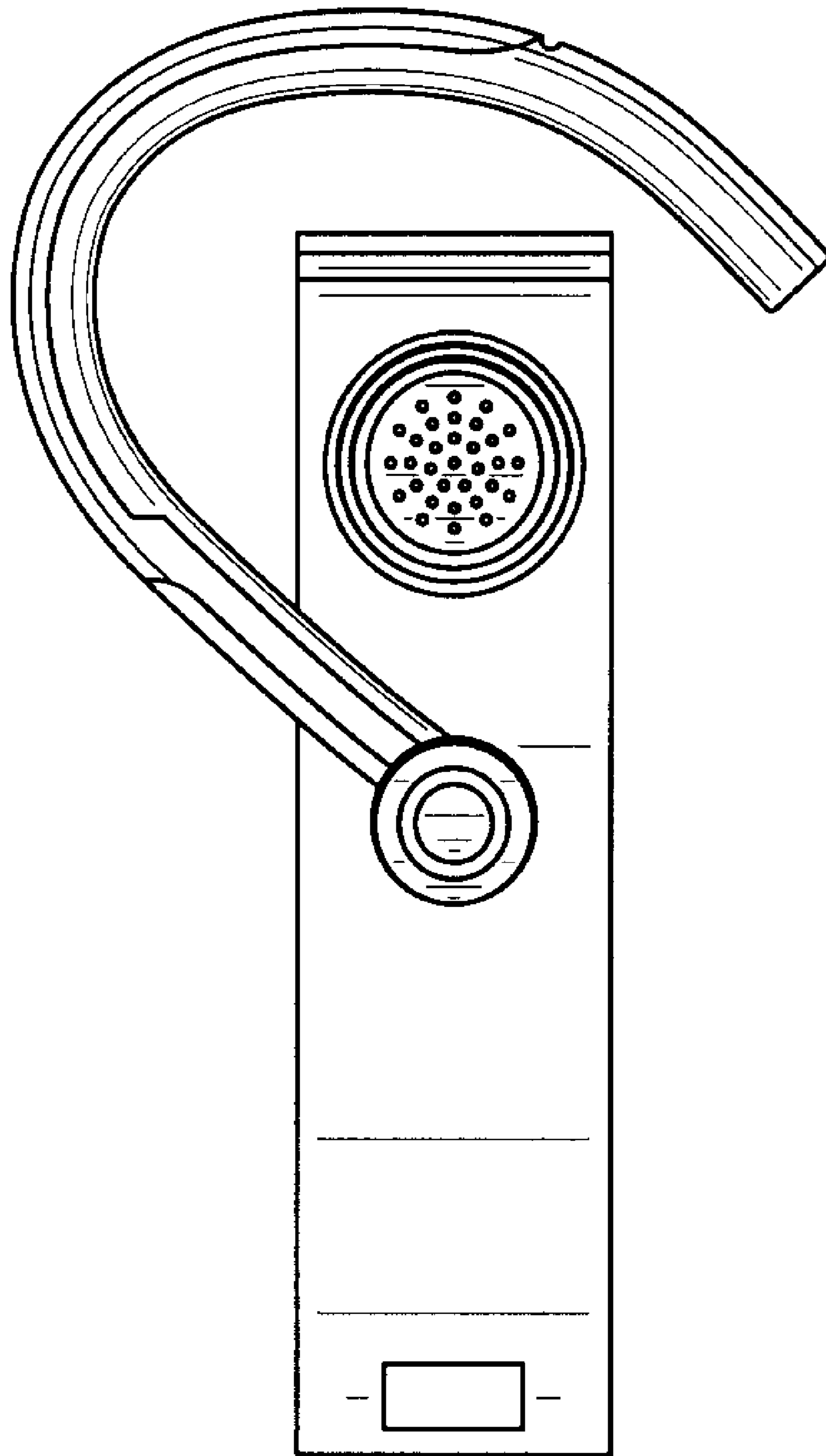


FIG. 10

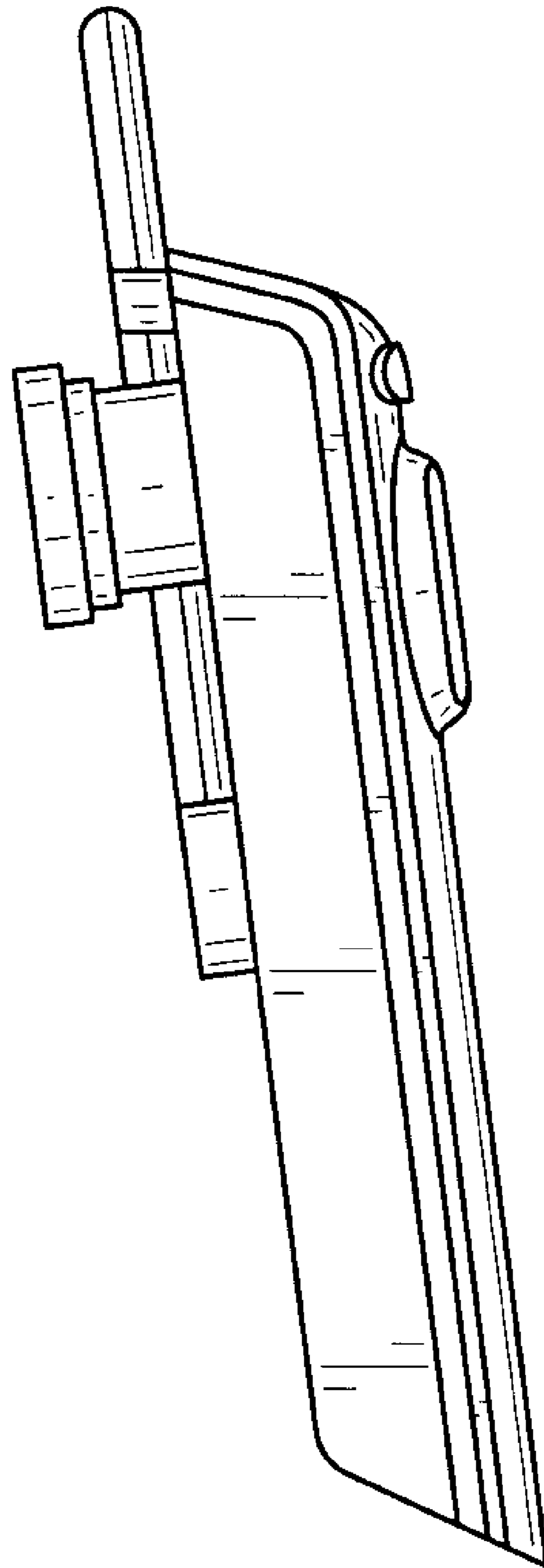


FIG. 11

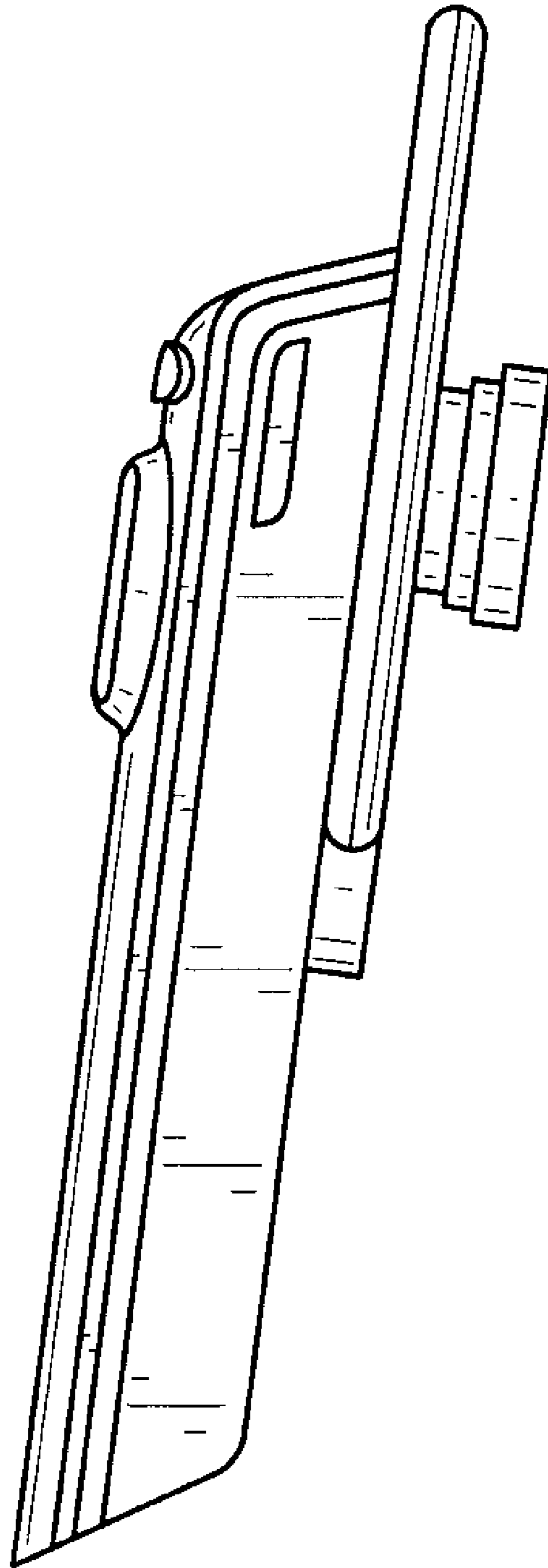


FIG. 12

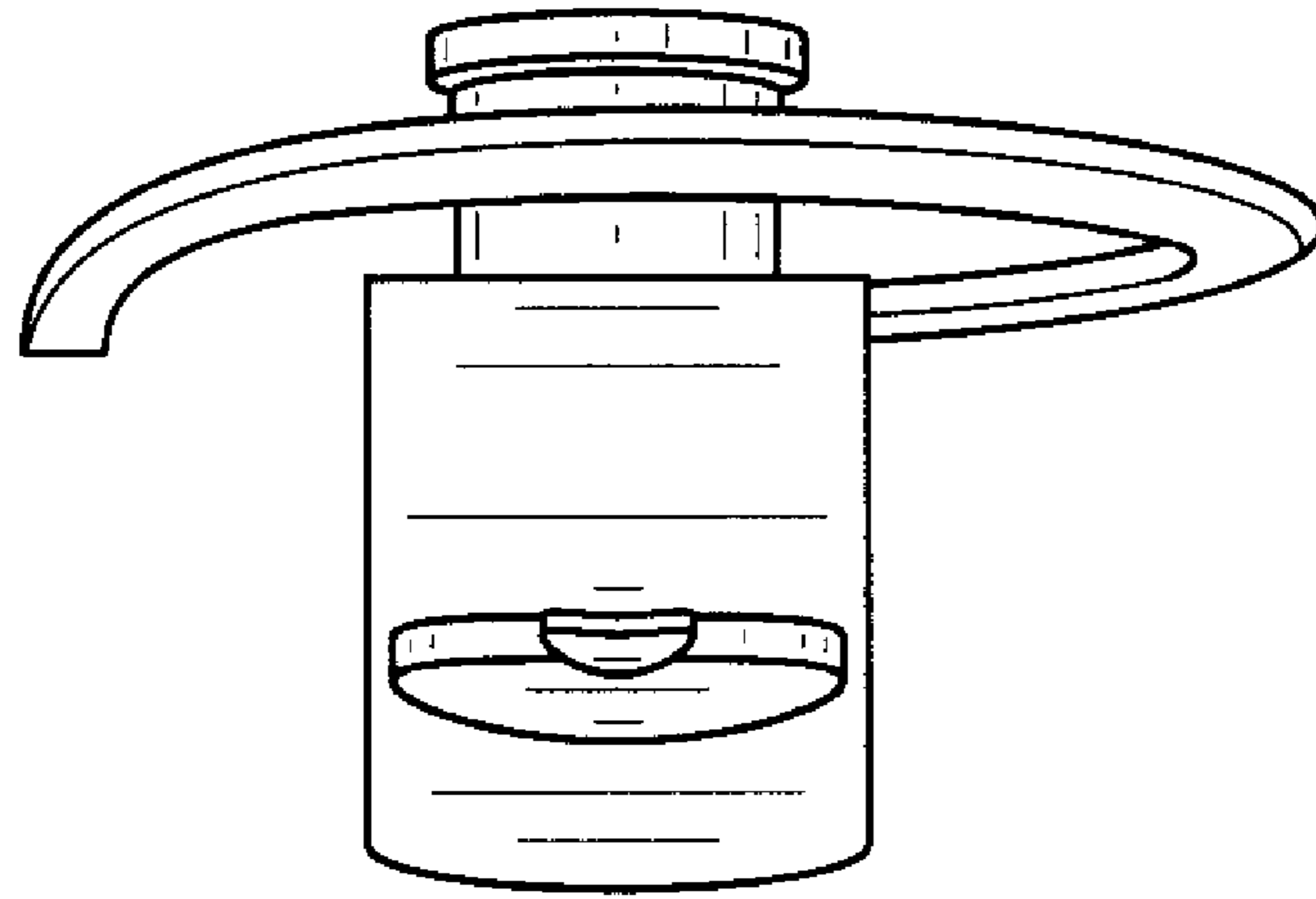


FIG. 13

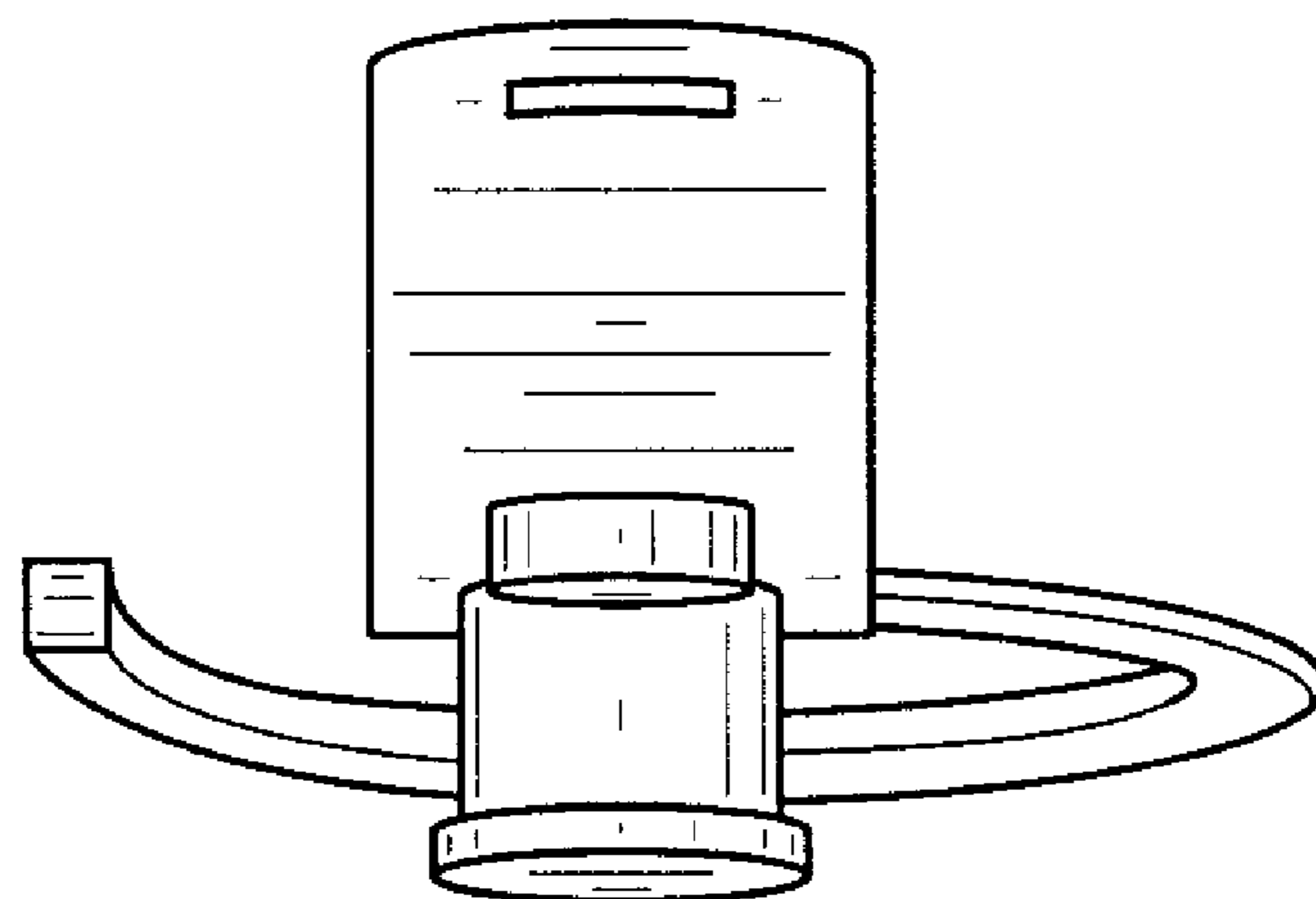


FIG. 14

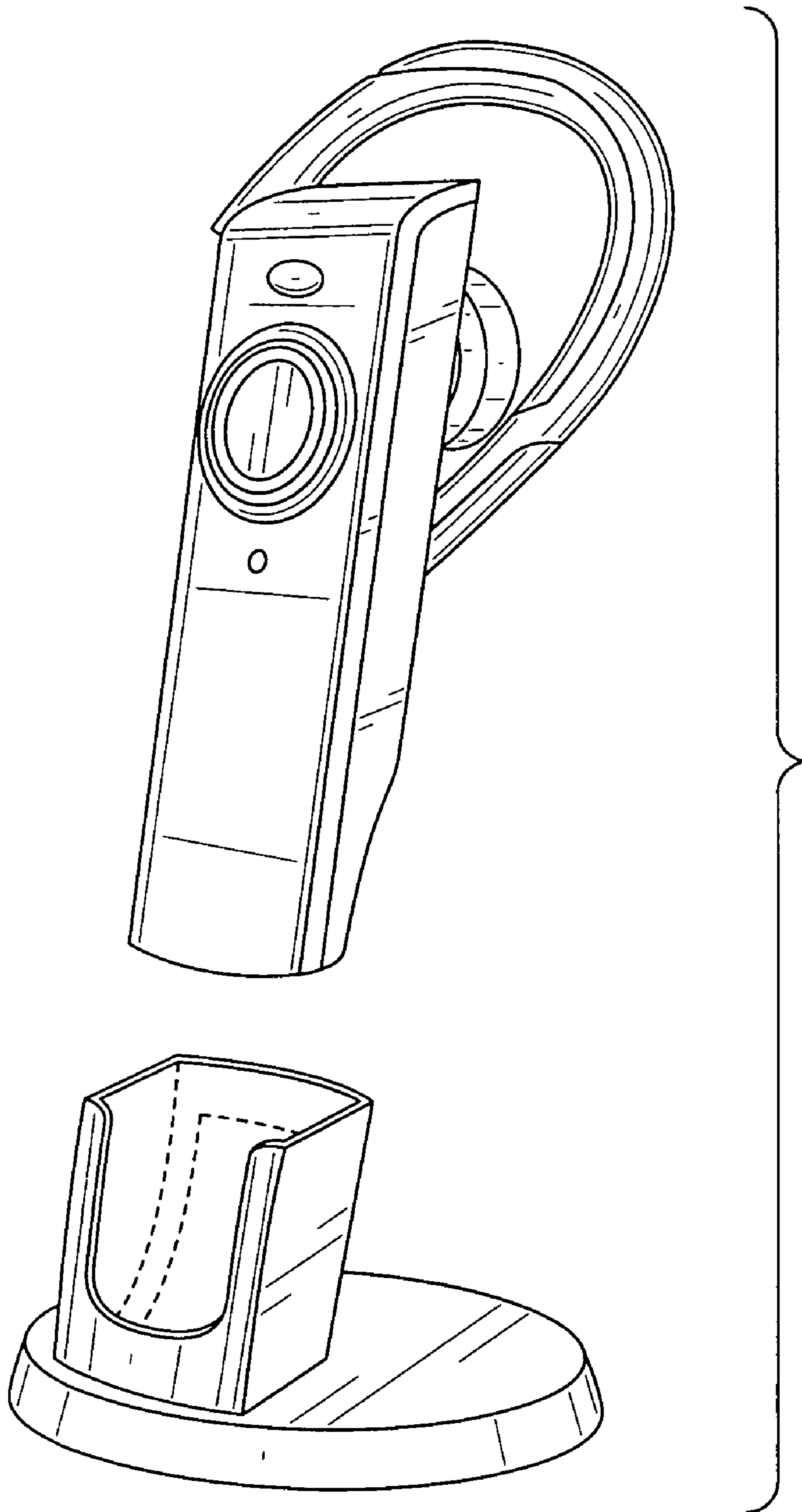


FIG. 15