



US00D595695S

(12) **United States Design Patent**  
**Ichikawa et al.**

(10) **Patent No.:** **US D595,695 S**  
(45) **Date of Patent:** **\*\* Jul. 7, 2009**

(54) **INTEGRATED CONTROL UNIT FOR VEHICLE**

(75) Inventors: **Takashi Ichikawa**, Tokyo (JP); **Hiroshi Fujimoto**, Yachiyo (JP)

(73) Assignee: **Alpine Electronics, Inc.**, Tokyo (JP)

(\*\*) Term: **14 Years**

(21) Appl. No.: **29/261,433**

(22) Filed: **Jun. 21, 2006**

(30) **Foreign Application Priority Data**

Dec. 21, 2005 (JP) ..... 2005-037623

(51) **LOC (9) Cl.** ..... **14-03**

(52) **U.S. Cl.** ..... **D14/218**

(58) **Field of Classification Search** ..... D14/218, D14/455; D13/168; D21/566; D10/104, D10/106; 345/169; 348/14.05, 114, 211.99, 348/734; 455/92, 5, 128, 151.31-151.4, 455/352, 355; 700/65; D12/400, 175, 177  
See application file for complete search history.

(56) **References Cited**

**U.S. PATENT DOCUMENTS**

D525,573 S \* 7/2006 Young ..... D12/176  
7,286,931 B2 \* 10/2007 Kawasaki ..... 701/209

D573,547 S \* 7/2008 Stevens et al. .... D13/168  
2005/0077159 A1 \* 4/2005 Min ..... 200/61.54  
2005/0274591 A1 \* 12/2005 Kim ..... 200/61.54  
2007/0050061 A1 \* 3/2007 Klein et al. .... 700/94  
2007/0100509 A1 \* 5/2007 Piekarz ..... 701/1

\* cited by examiner

*Primary Examiner*—T. Chase Nelson

*Assistant Examiner*—Ania K Dworzecka

(74) *Attorney, Agent, or Firm*—Brinks Hofer Gilson & Lione

(57) **CLAIM**

We claim the ornamental design for an integrated control unit for a vehicle, as shown and described.

**DESCRIPTION**

FIG. 1 is a perspective view of an integrated control unit for a vehicle, showing our new, original and ornamental design;

FIG. 2 is a front elevational view thereof;

FIG. 3 is a rear elevational view thereof;

FIG. 4 is a top plan view thereof;

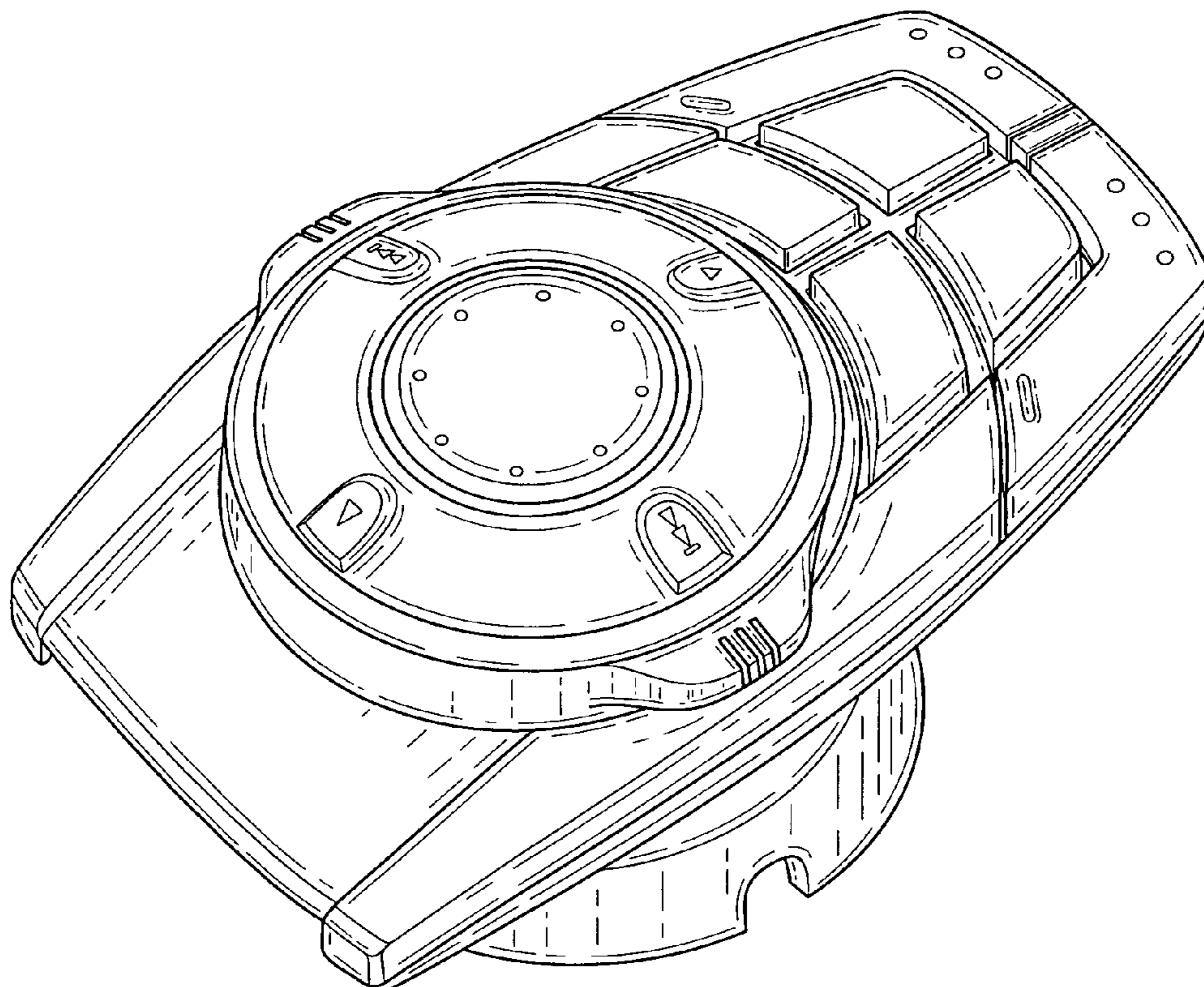
FIG. 5 is a bottom plan view thereof;

FIG. 6 is a right side elevational view thereof; and,

FIG. 7 is a left side elevational view thereof.

In the drawings, the broken lines depict unclaimed subject matter only and form no part of the claimed design.

**1 Claim, 5 Drawing Sheets**



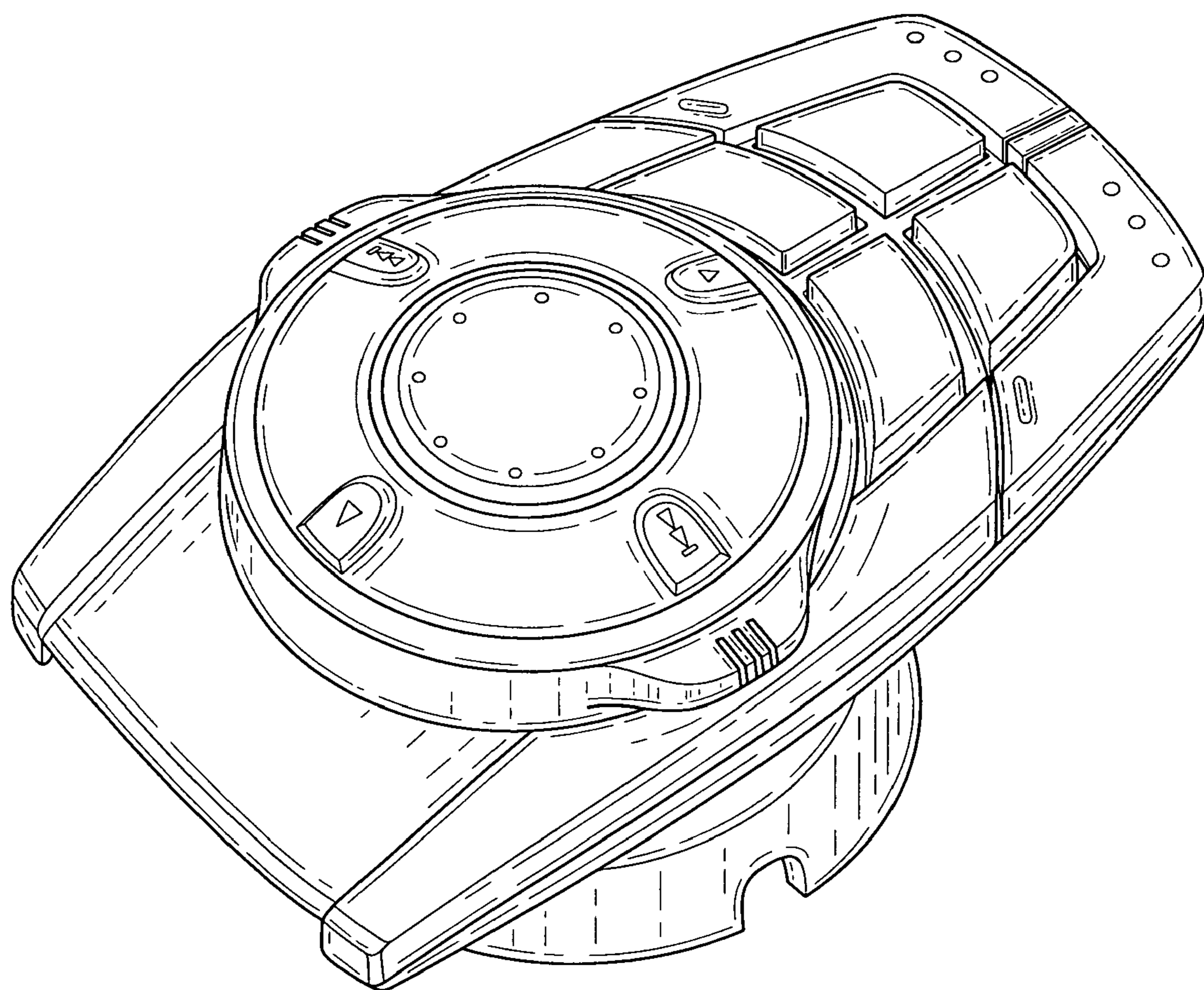


Fig. 1

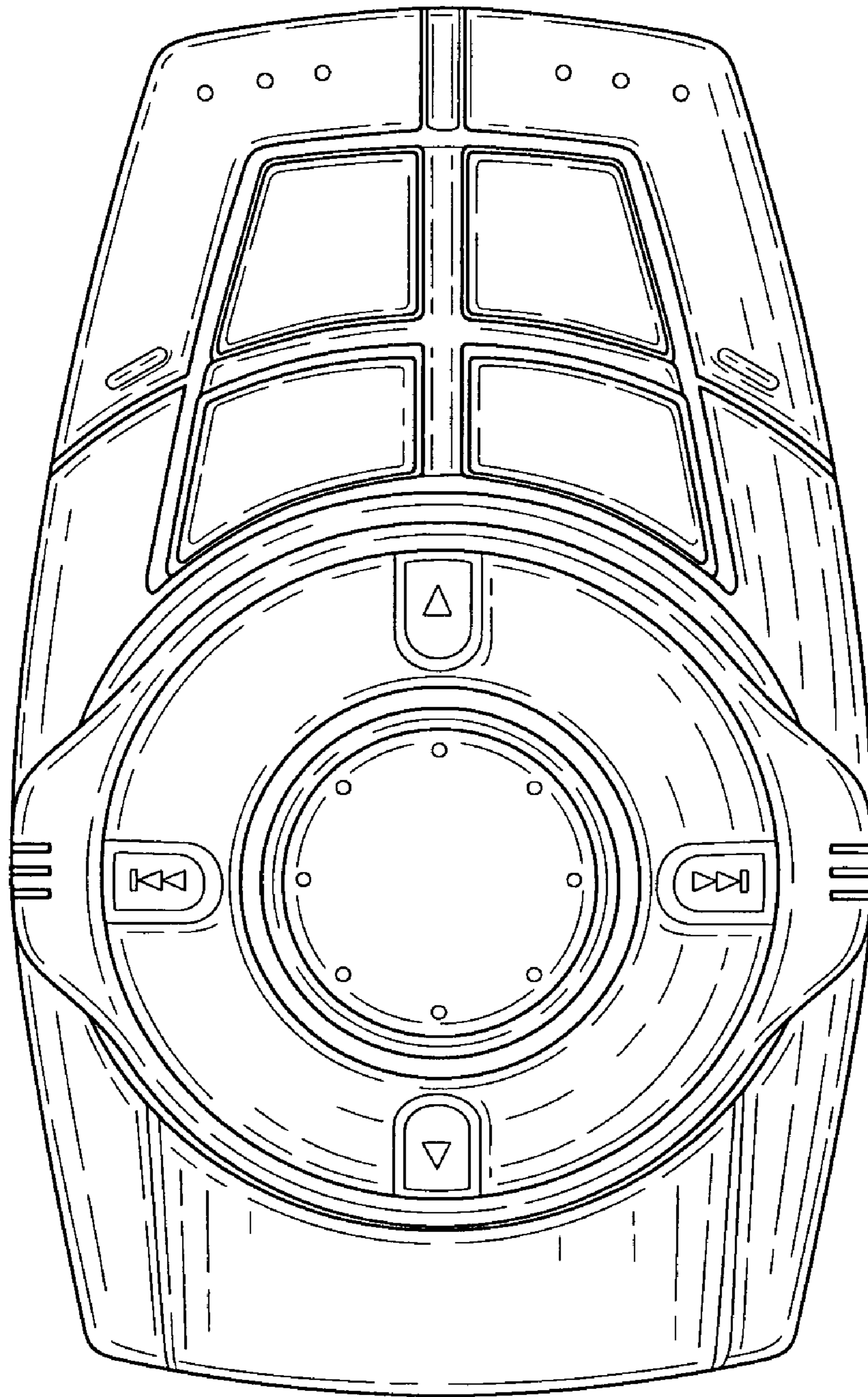


Fig. 2

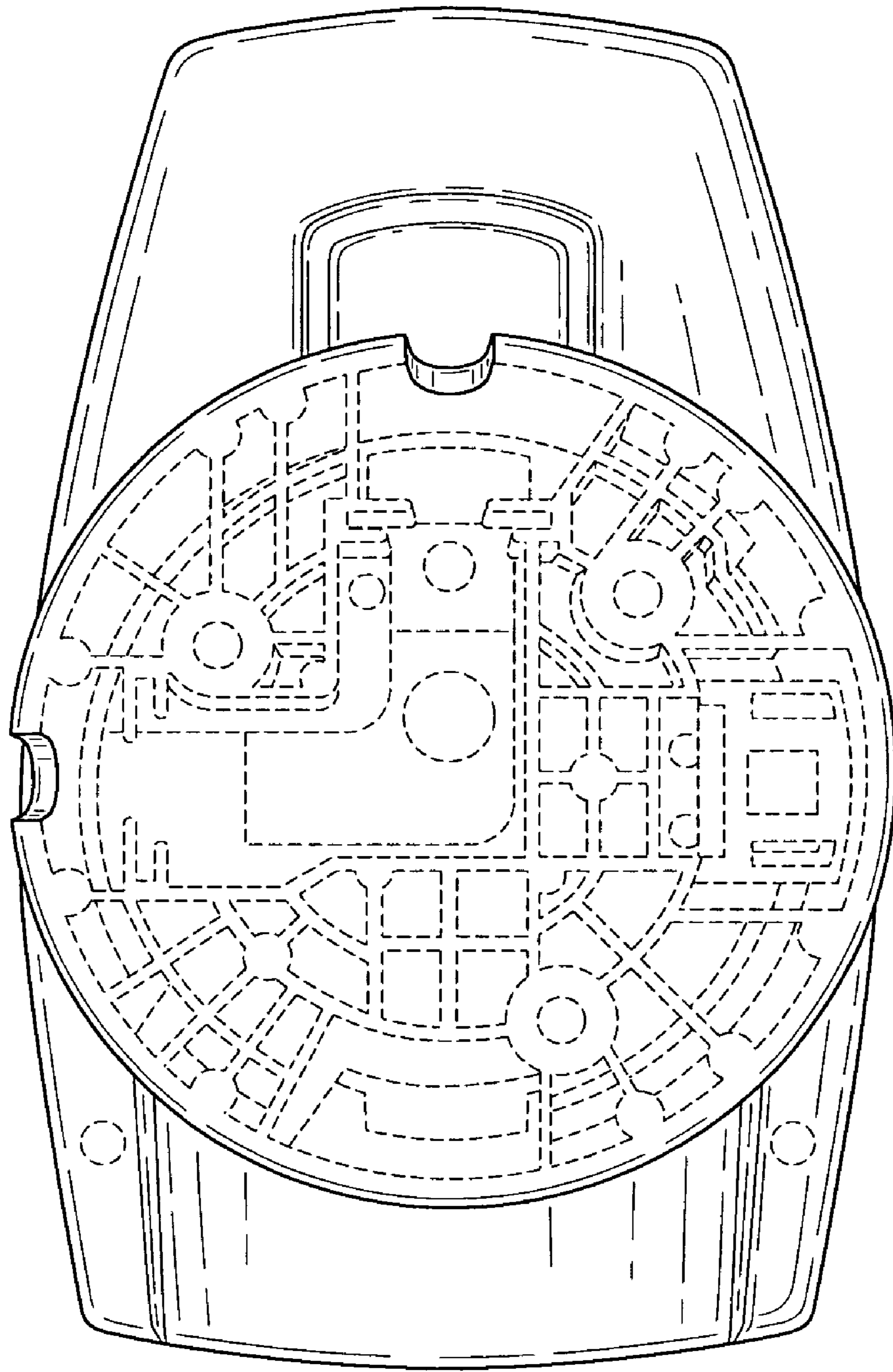


Fig. 3

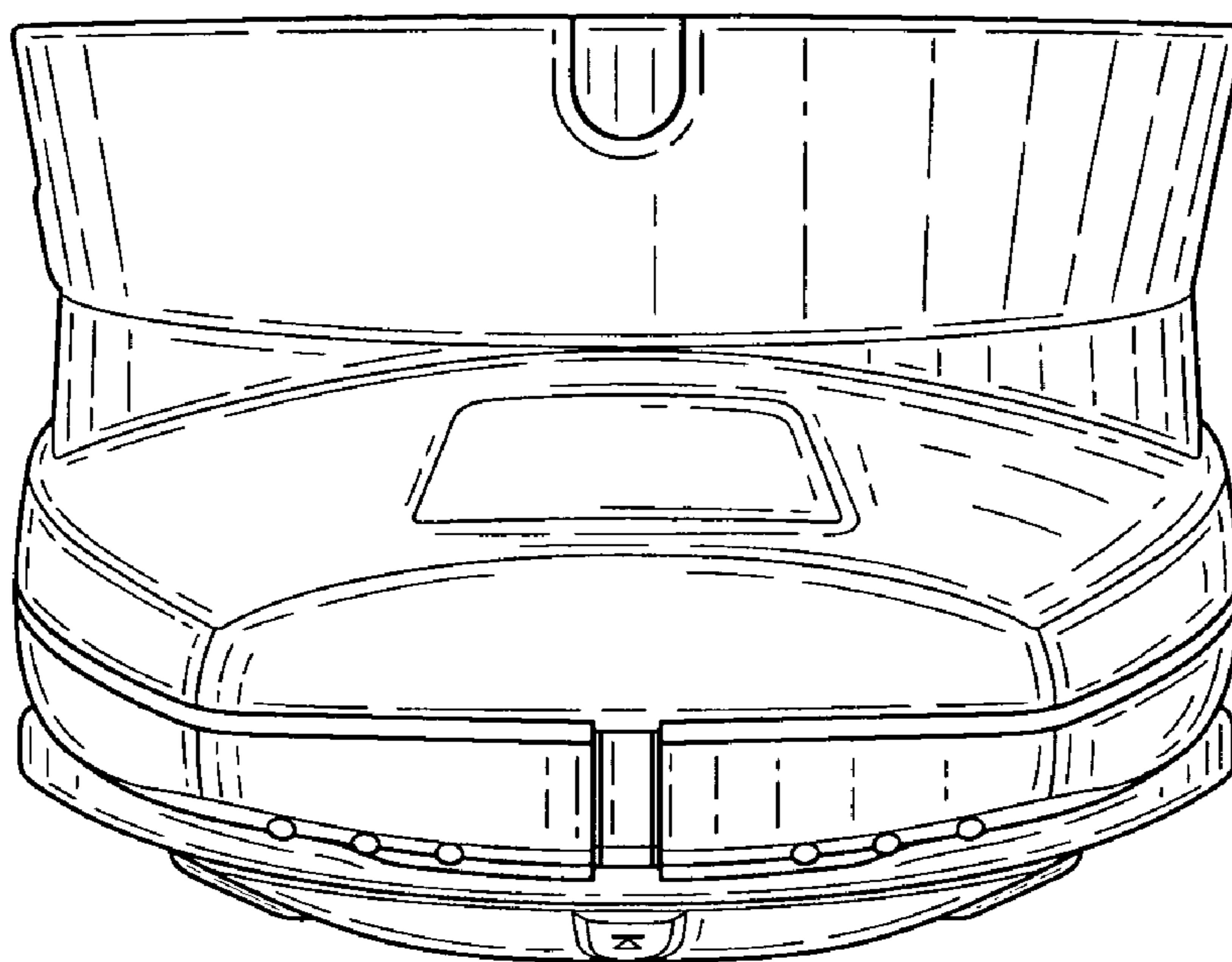


Fig. 4

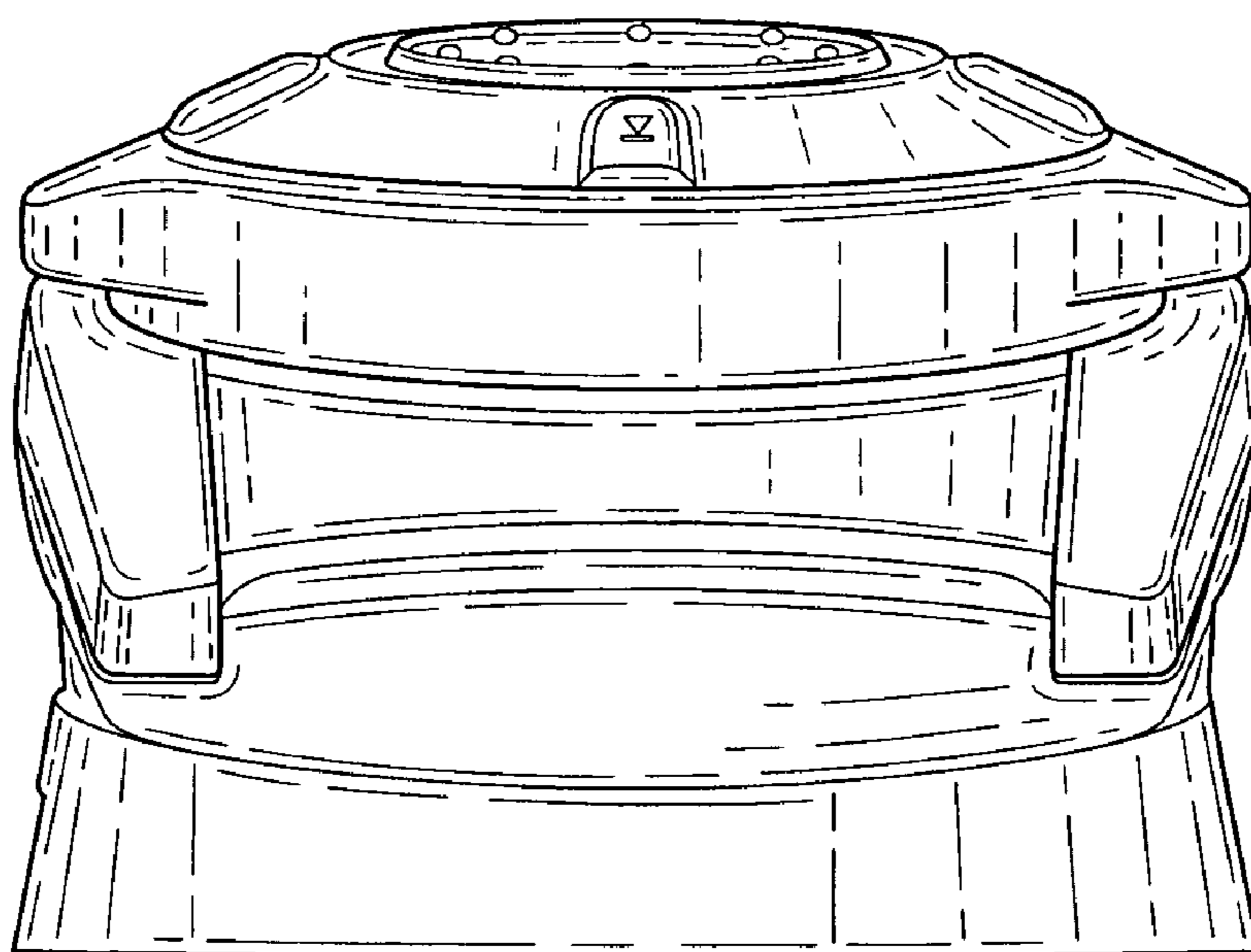


Fig. 5

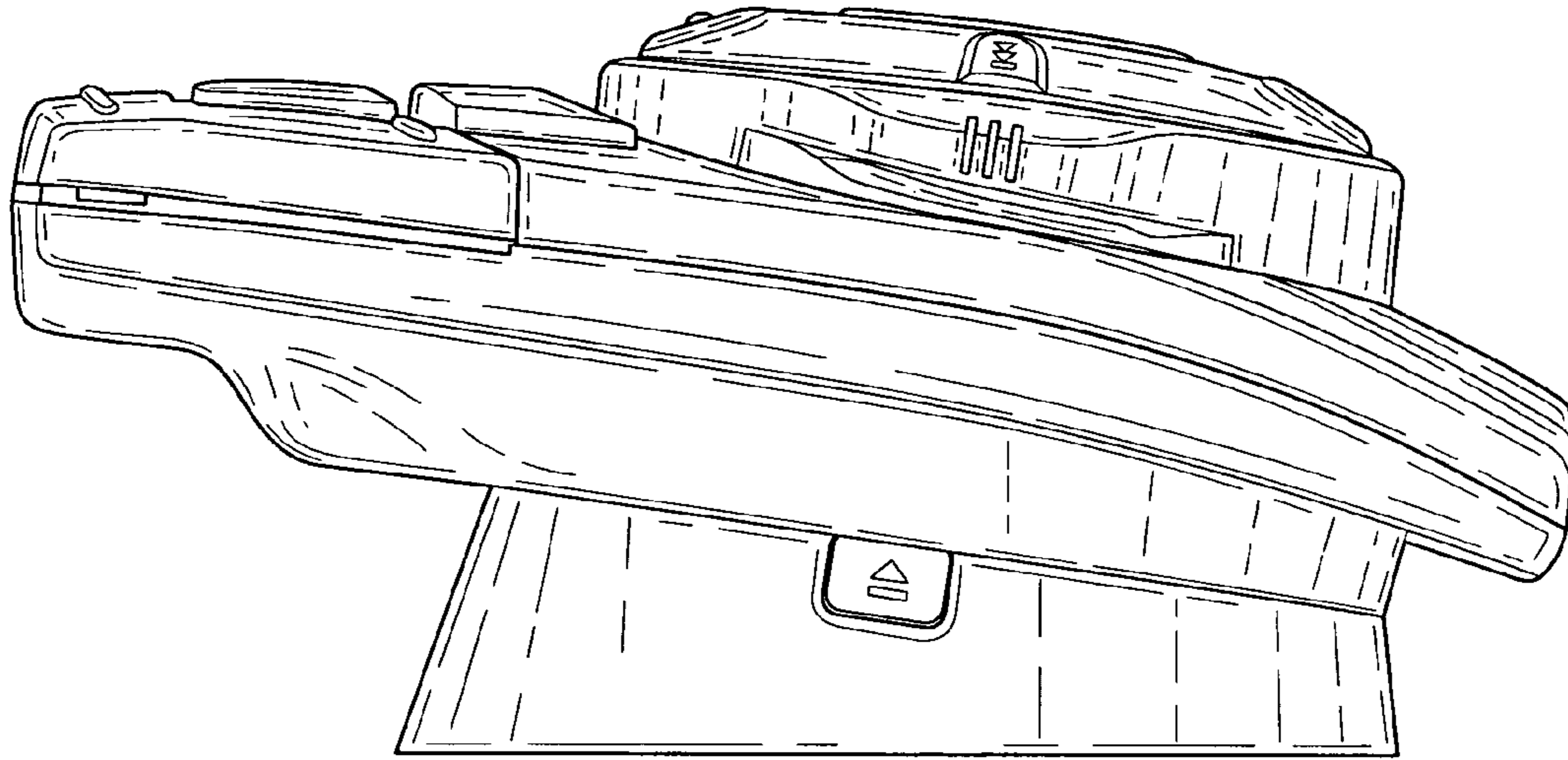


Fig. 7

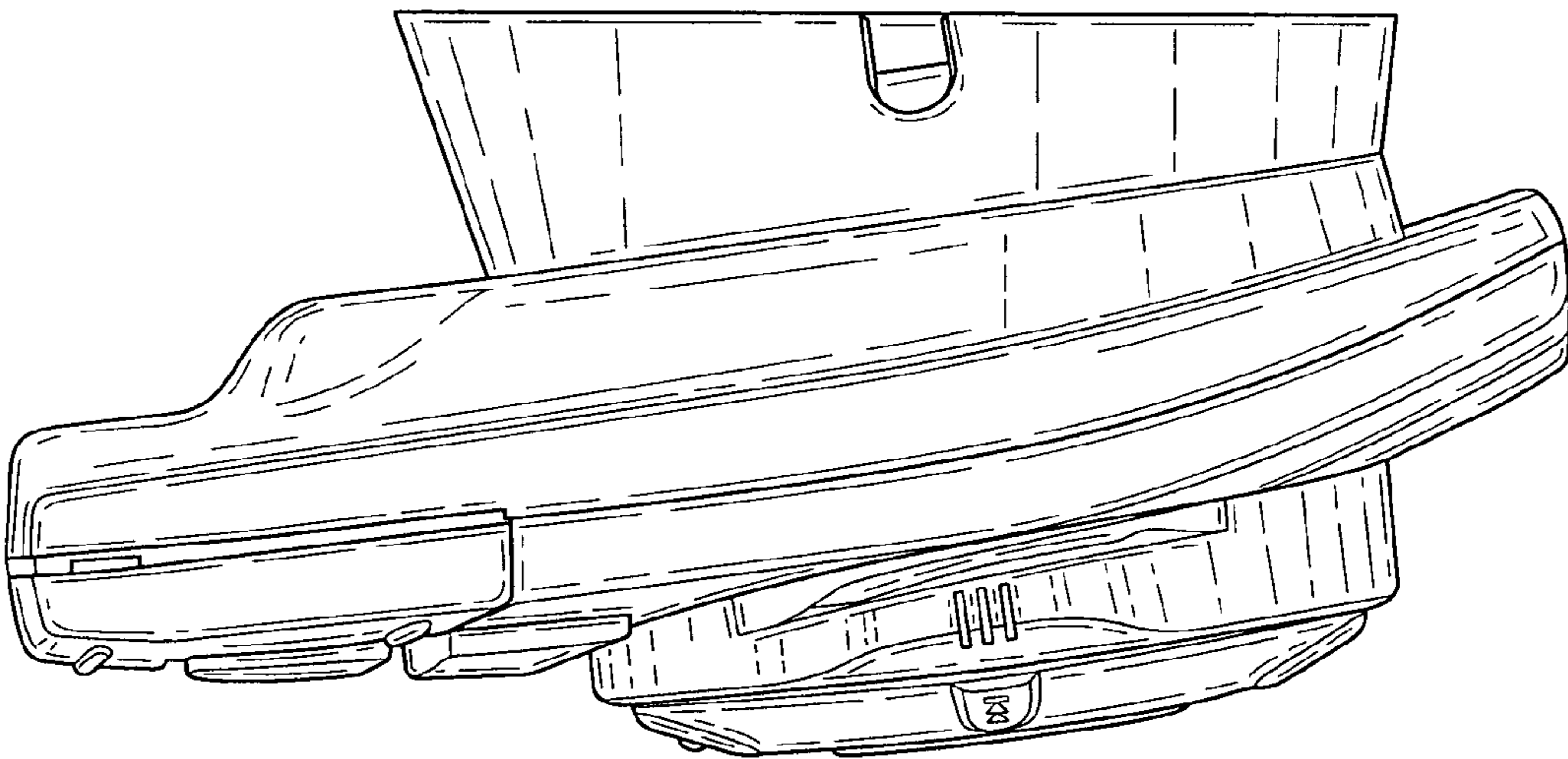


Fig. 6