



US00D595691S

(12) **United States Design Patent**  
**Bradford et al.**

(10) **Patent No.:** **US D595,691 S**

(45) **Date of Patent:** **\*\* Jul. 7, 2009**

(54) **LOUDSPEAKER FOR A HEADSET**

(75) Inventors: **Simon Bradford**, Espoo (FI); **Khodi Feiz**, Amsterdam (NL); **Alejandro Sanguinetti**, Helsinki (FI)

(73) Assignee: **Nokia Corporation**, Espoo (FI)

(\*\*) Term: **14 Years**

(21) Appl. No.: **29/304,239**

(22) Filed: **Feb. 27, 2008**

(30) **Foreign Application Priority Data**

Aug. 27, 2007 (EM) ..... 000779053

(51) **LOC (9) Cl.** ..... **14-01**

(52) **U.S. Cl.** ..... **D14/214**

(58) **Field of Classification Search** ..... D14/204,  
D14/210–216, 172, 188; 181/143–144, 147–148,  
181/150–153, 157, 198–199; 381/300–303,  
381/306, 332–333, 336, 345, 361–364, 386–388  
See application file for complete search history.

(56) **References Cited**

**U.S. PATENT DOCUMENTS**

D340,245 S \* 10/1993 Christie ..... D14/214

D503,169 S \* 3/2005 Hisatsune ..... D14/214  
D503,396 S \* 3/2005 Hisatsune ..... D14/214  
D519,101 S \* 4/2006 Alwicker et al. .... D14/188  
D575,272 S \* 8/2008 Shih et al. .... D14/214

\* cited by examiner

*Primary Examiner*—Nanda Bondade

(74) *Attorney, Agent, or Firm*—Banner & Witcoff, Ltd.

(57) **CLAIM**

The ornamental design for a loudspeaker for a headset, as shown and described.

**DESCRIPTION**

FIG. 1 is a left perspective view of a loudspeaker for a headset showing our new design;

FIG. 2 is a right perspective view thereof;

FIG. 3 is a front view thereof;

FIG. 4 is a rear view thereof;

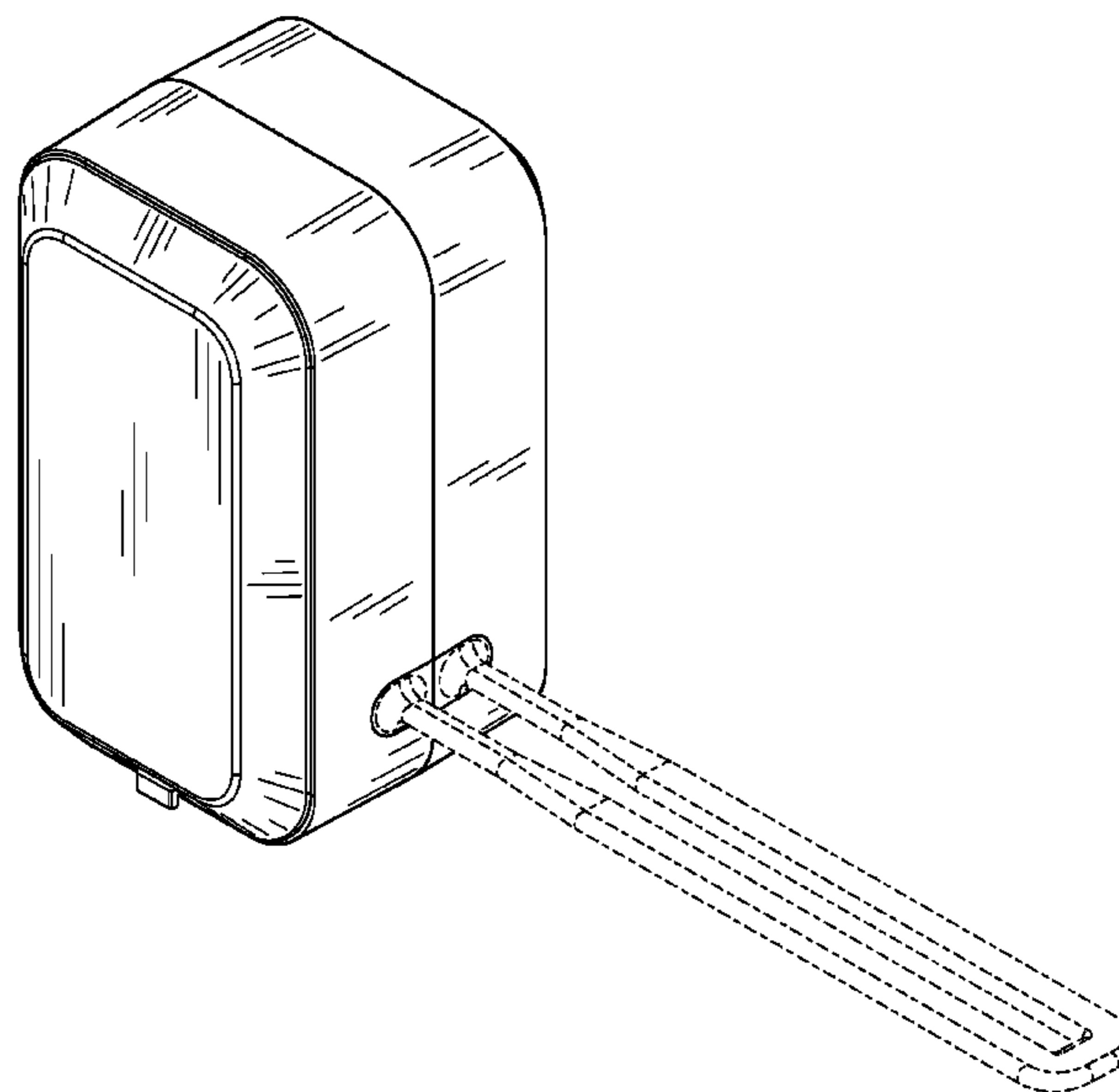
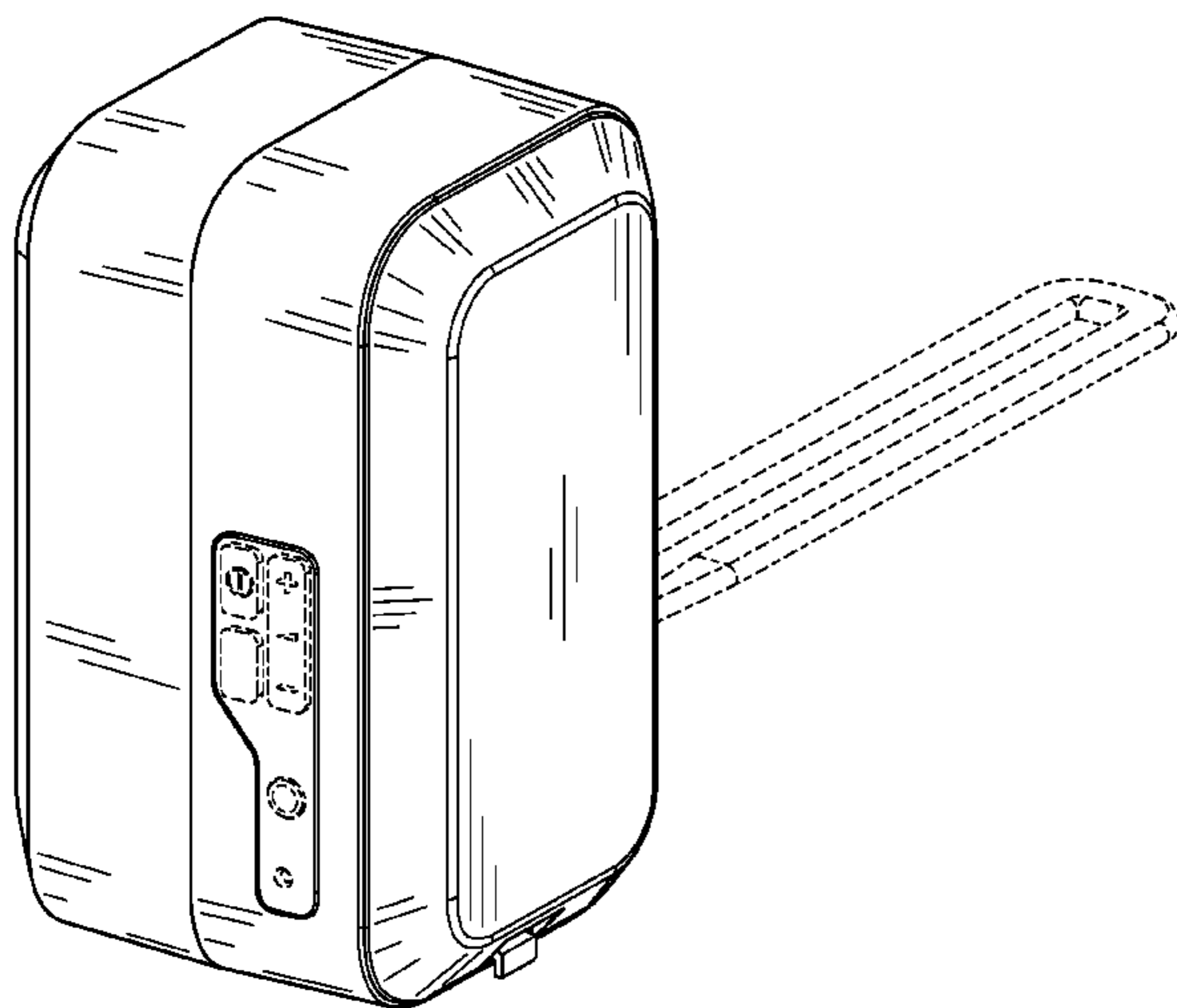
FIG. 5 is a left side view thereof;

FIG. 6 is a bottom view thereof; and,

FIG. 7 is a top view thereof.

The broken line showing environmental structure is for illustrative purposes only and forms no part of the claimed design.

**1 Claim, 7 Drawing Sheets**



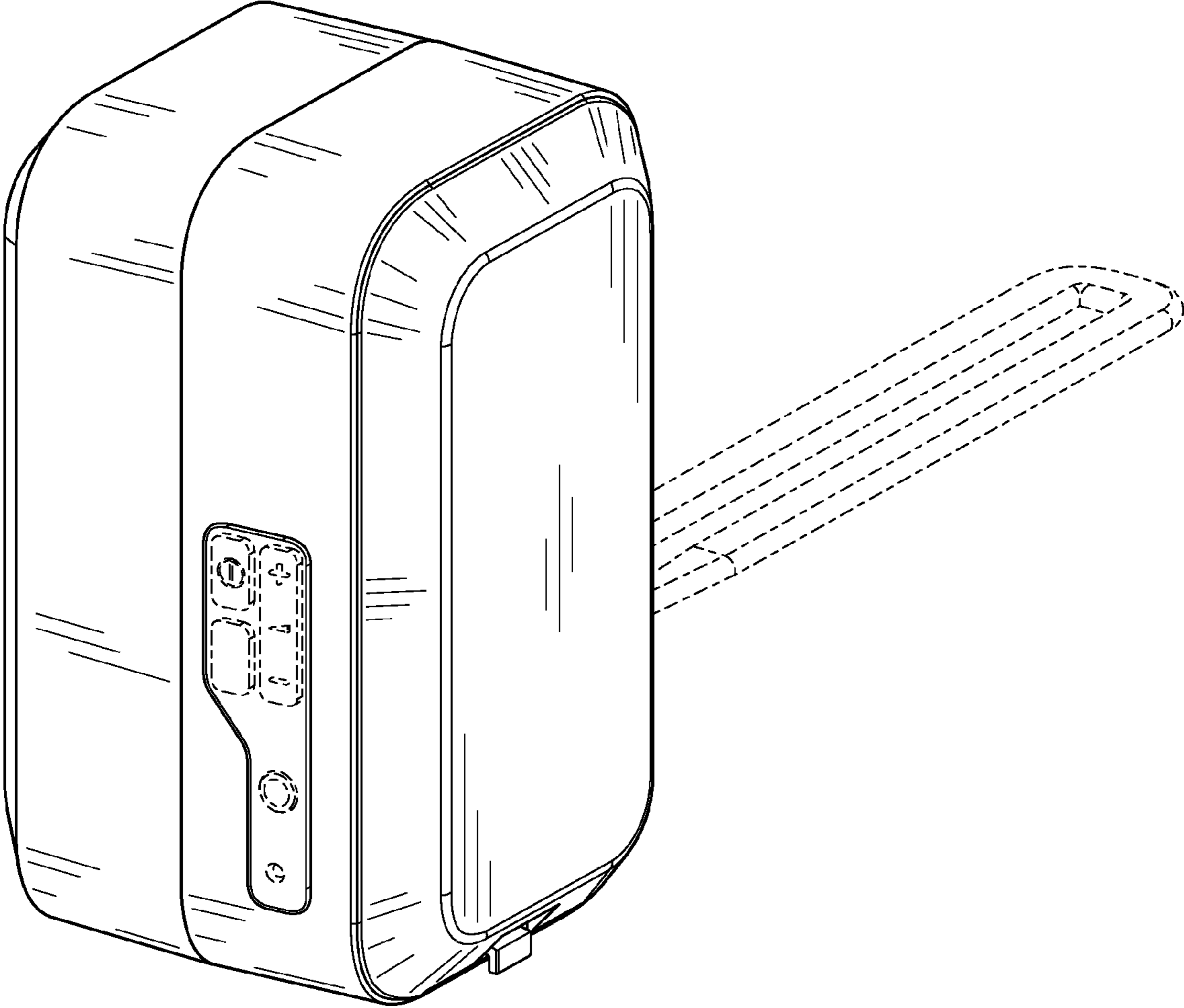


FIG. 1

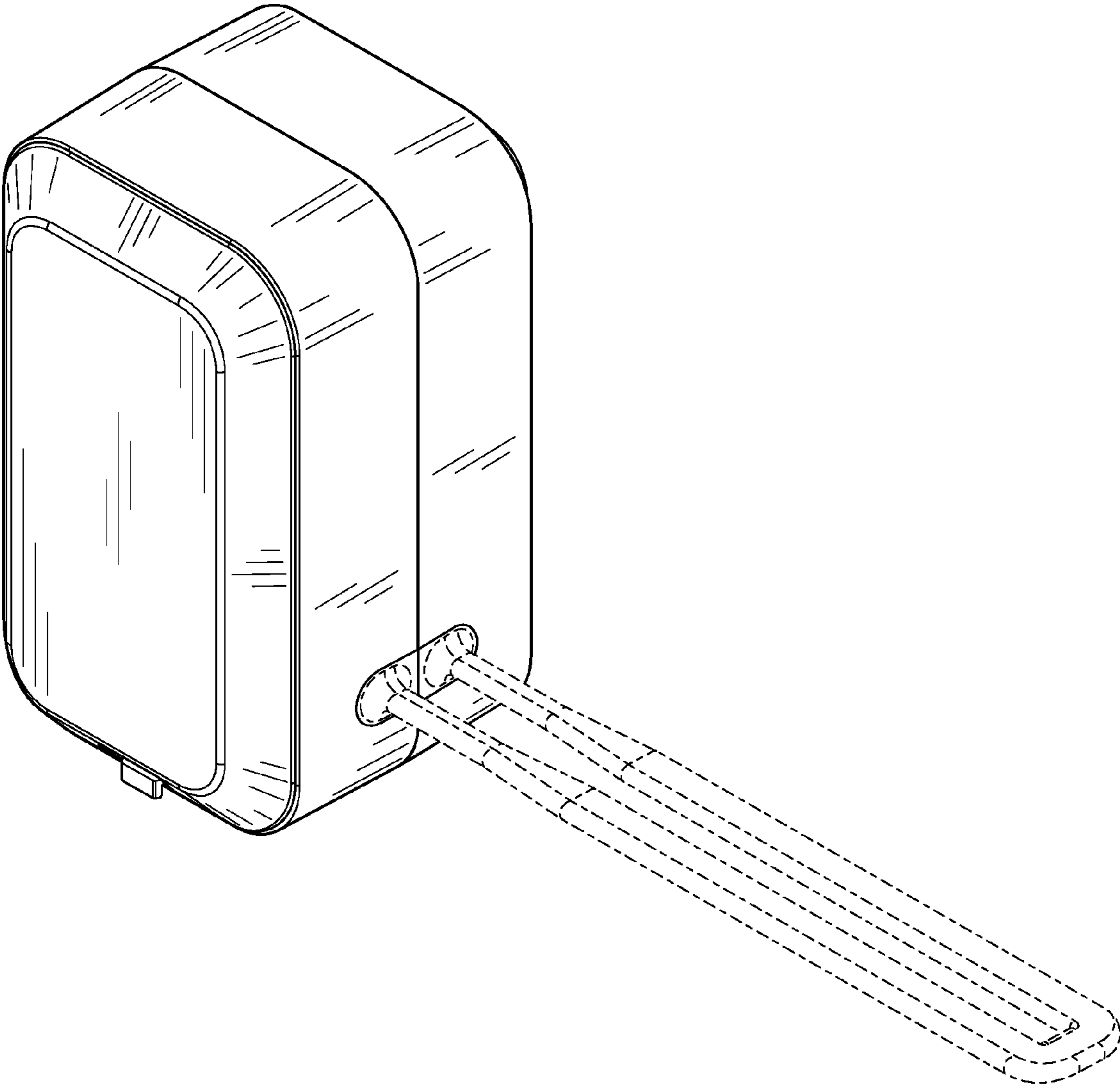


FIG. 2

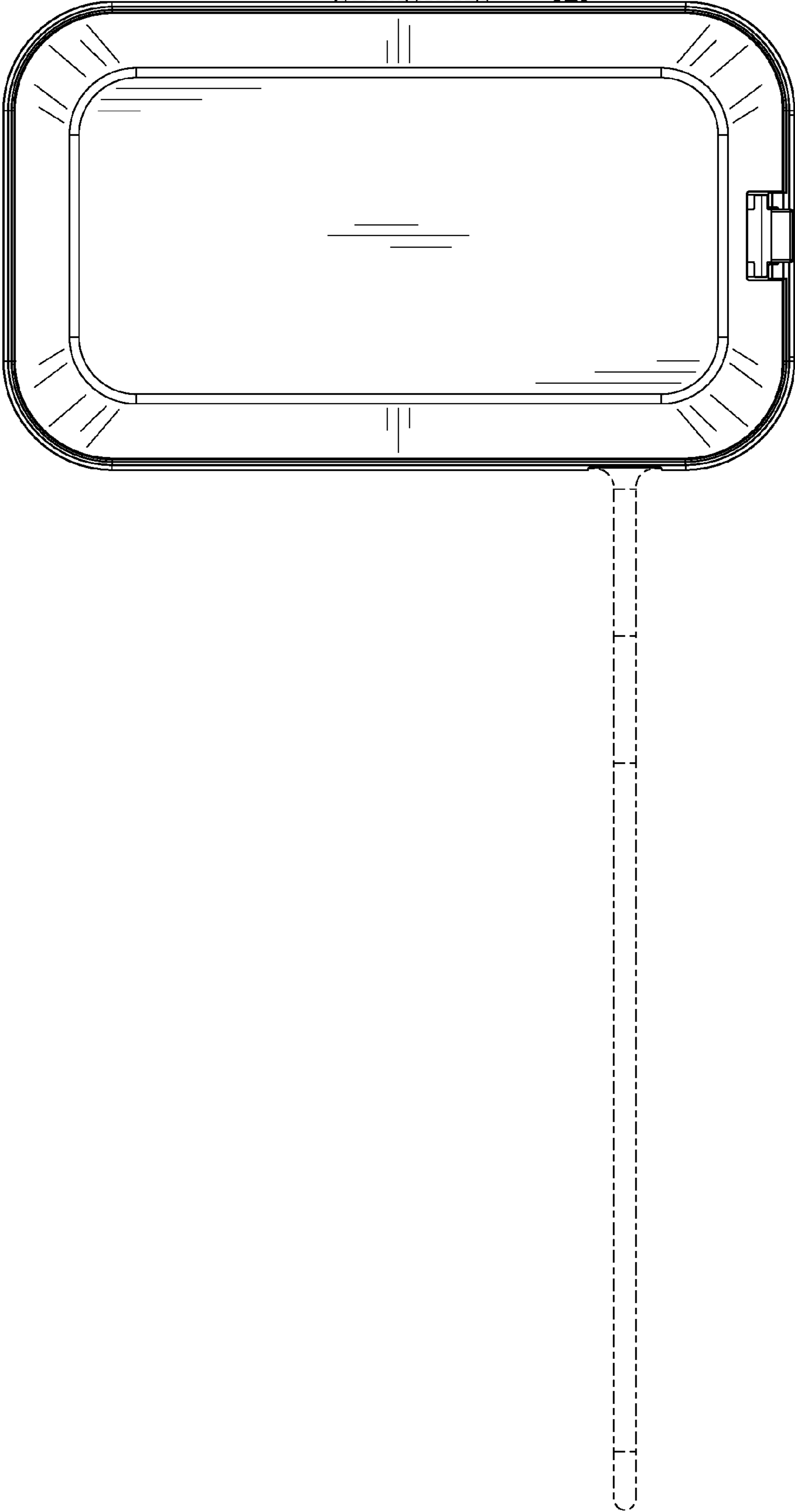


FIG. 3

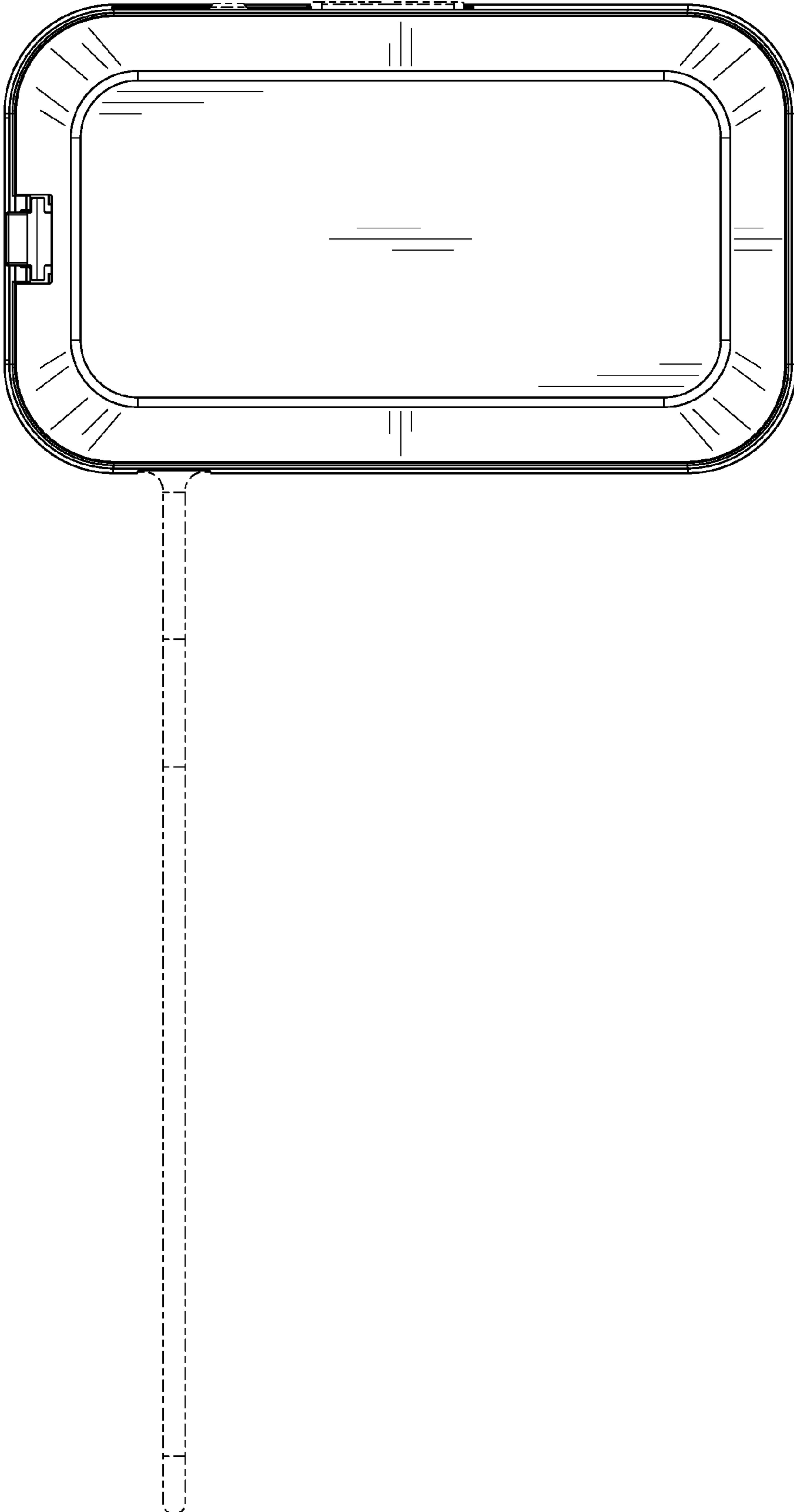


FIG. 4

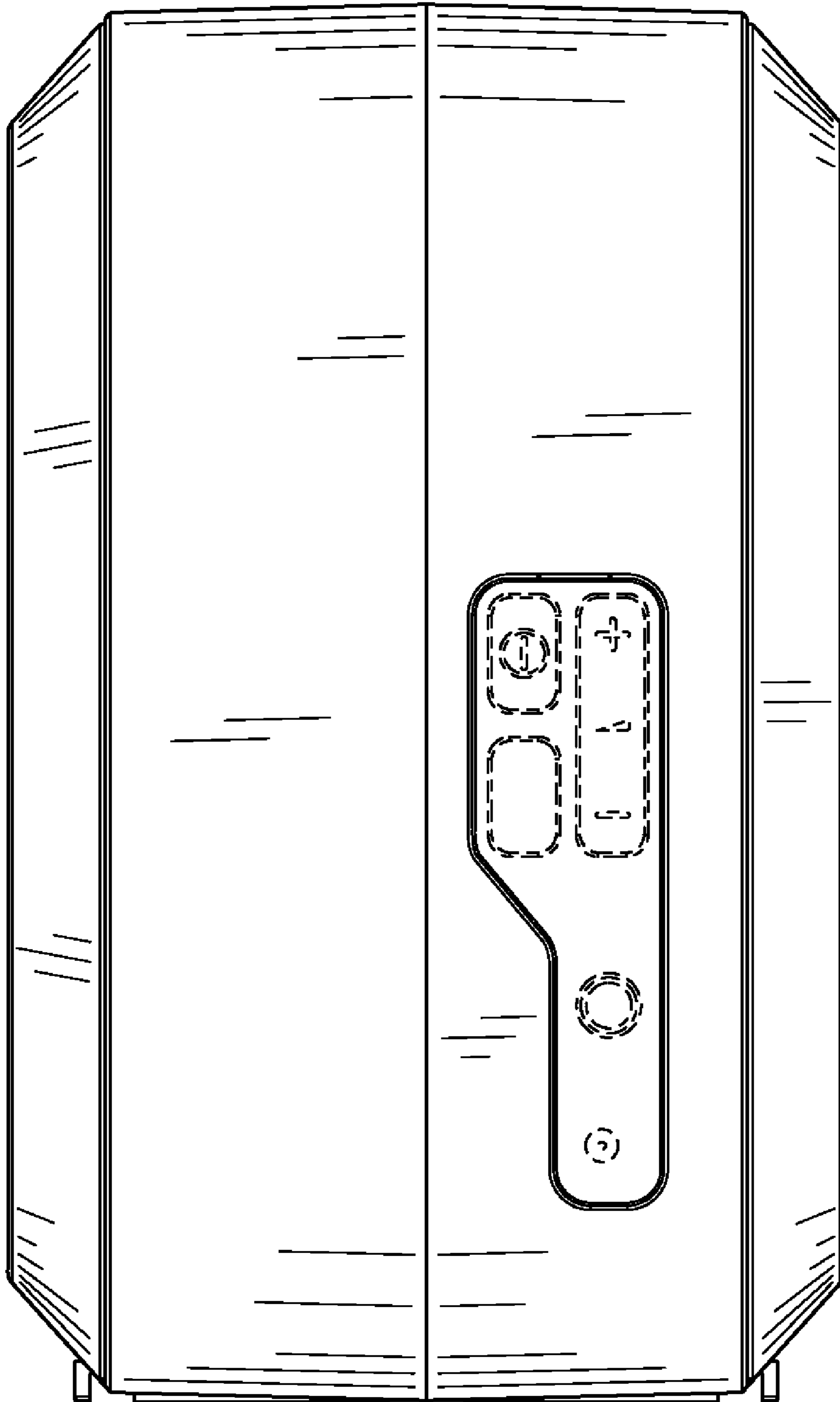


FIG. 5

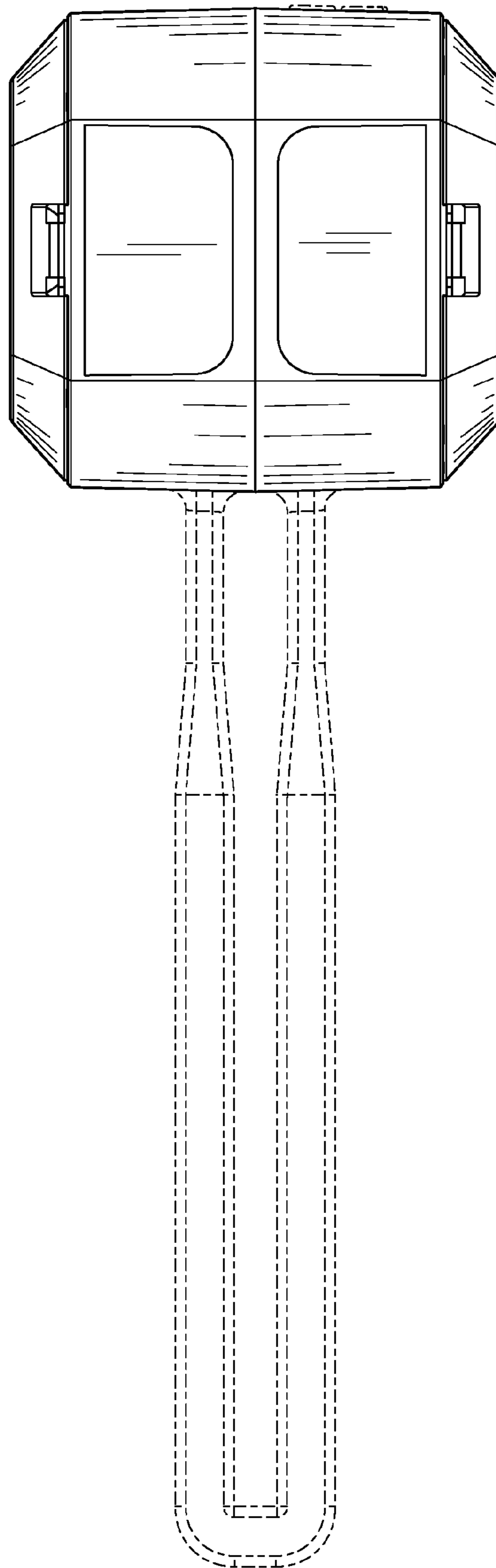


FIG. 6

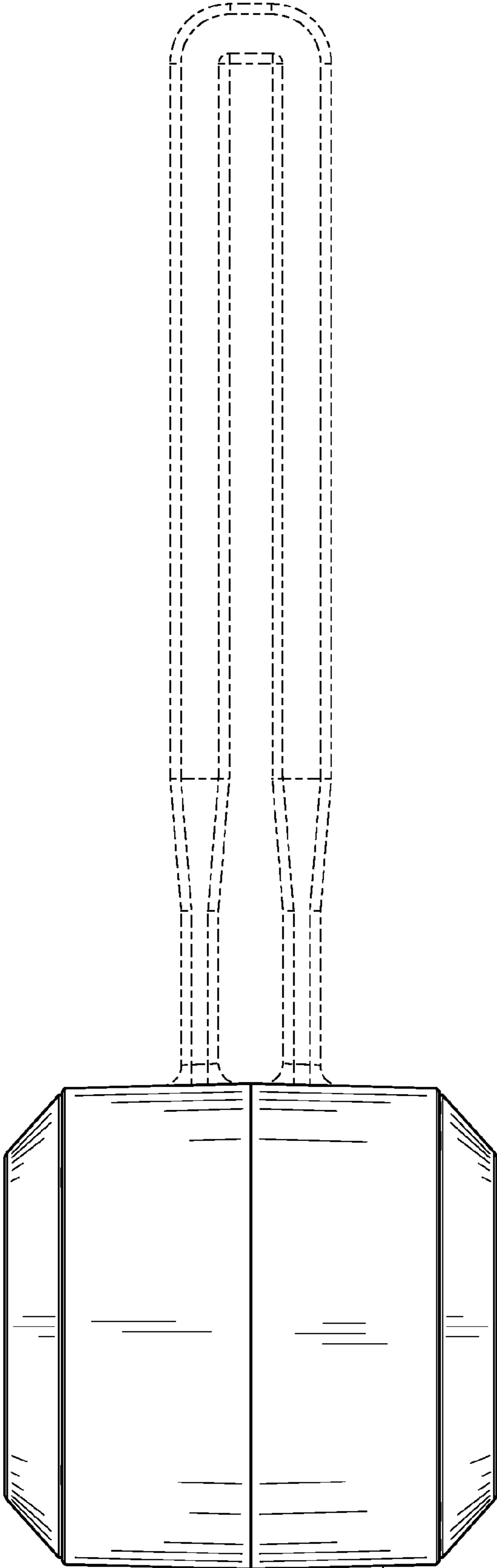


FIG. 7