



US00D595690S

(12) **United States Design Patent**  
**Fullerton**

(10) **Patent No.:** **US D595,690 S**  
(45) **Date of Patent:** **\*\* Jul. 7, 2009**

(54) **AUDIO EARPHONE DEVICE**

(75) Inventor: **Robert Fullerton**, Morgan Hill, CA  
(US)

(73) Assignee: **Aerielle Technologies, Inc.**, Mountain  
View, CA (US)

(\*\*) Term: **14 Years**

(21) Appl. No.: **29/321,823**

(22) Filed: **Jul. 24, 2008**

(51) **LOC (9) Cl.** ..... **14-01**

(52) **U.S. Cl.** ..... **D14/205**

(58) **Field of Classification Search** ..... D14/168,  
D14/188, 218, 192, 137, 142, 240, 205, 206,  
D14/223, 217; 181/129, 130; 379/430, 420.01–420.04;  
381/380, 381, 322, 370, 383, 338; D24/174;  
455/90.3, 569.1, 90.1, 569.2; D13/133, 147,  
D13/154, 173; 174/36, 138 F; D3/215; 224/220,  
224/250, 257, 258

See application file for complete search history.

(56) **References Cited**

**U.S. PATENT DOCUMENTS**

2,572,889	A *	10/1951	Strykower	.....	224/258
2,780,681	A *	2/1957	Shaper	.....	381/382
D214,906	S *	8/1969	Steinmeyer	.....	D13/173
4,217,465	A *	8/1980	Holden	.....	174/138 F
D270,634	S *	9/1983	Ungar	.....	D14/205
D278,234	S *	4/1985	Saito	.....	D14/205
4,646,872	A *	3/1987	Kamon et al.	.....	181/129
D299,454	S *	1/1989	Kwong	.....	D14/205
4,901,355	A *	2/1990	Moore	.....	381/381
D311,007	S *	10/1990	Daido	.....	D14/205
D318,670	S *	7/1991	Taniguchi	.....	D14/205
D335,709	S *	5/1993	Choi	.....	D24/134
D385,254	S *	10/1997	Owusu	.....	D13/133

6,280,243	B1 *	8/2001	Liu et al.	.....	439/502
D464,945	S *	10/2002	Bosch	.....	D14/206
D465,472	S *	11/2002	Bosch	.....	D14/206
D471,890	S *	3/2003	Clarkson	.....	D14/205
6,675,446	B2 *	1/2004	Buettell	.....	24/122.6
D509,797	S *	9/2005	Milan	.....	D13/133
D511,157	S *	11/2005	Johnson	.....	D12/223
D546,321	S *	7/2007	Kim	.....	D14/223
D558,735	S *	1/2008	Carr et al.	.....	14/206
D562,807	S *	2/2008	Andre et al.	.....	D14/223
D566,691	S *	4/2008	Andre et al.	.....	D14/223
D569,841	S *	5/2008	Chung et al.	.....	D14/205
D578,508	S *	10/2008	Wang	.....	D14/206
D584,284	S *	1/2009	Carr et al.	.....	D14/206

\* cited by examiner

*Primary Examiner*—Paula Greene

(74) *Attorney, Agent, or Firm*—Craig M. Stainbrook;  
Stainbrook & Stainbrook, LLP

(57) **CLAIM**

The ornamental design for a audio earphone device, as shown  
and described.

**DESCRIPTION**

FIG. 1 is an exploded top left front perspective view of an  
audio earphone device showing my new design, the rear of the  
top right earphone is the same as the rear of the top left  
earphone, the connector is drawn broken away for indetermi-  
nate length;

FIG. 2 is a front elevational view thereof;

FIG. 3 is a right side elevational view thereof;

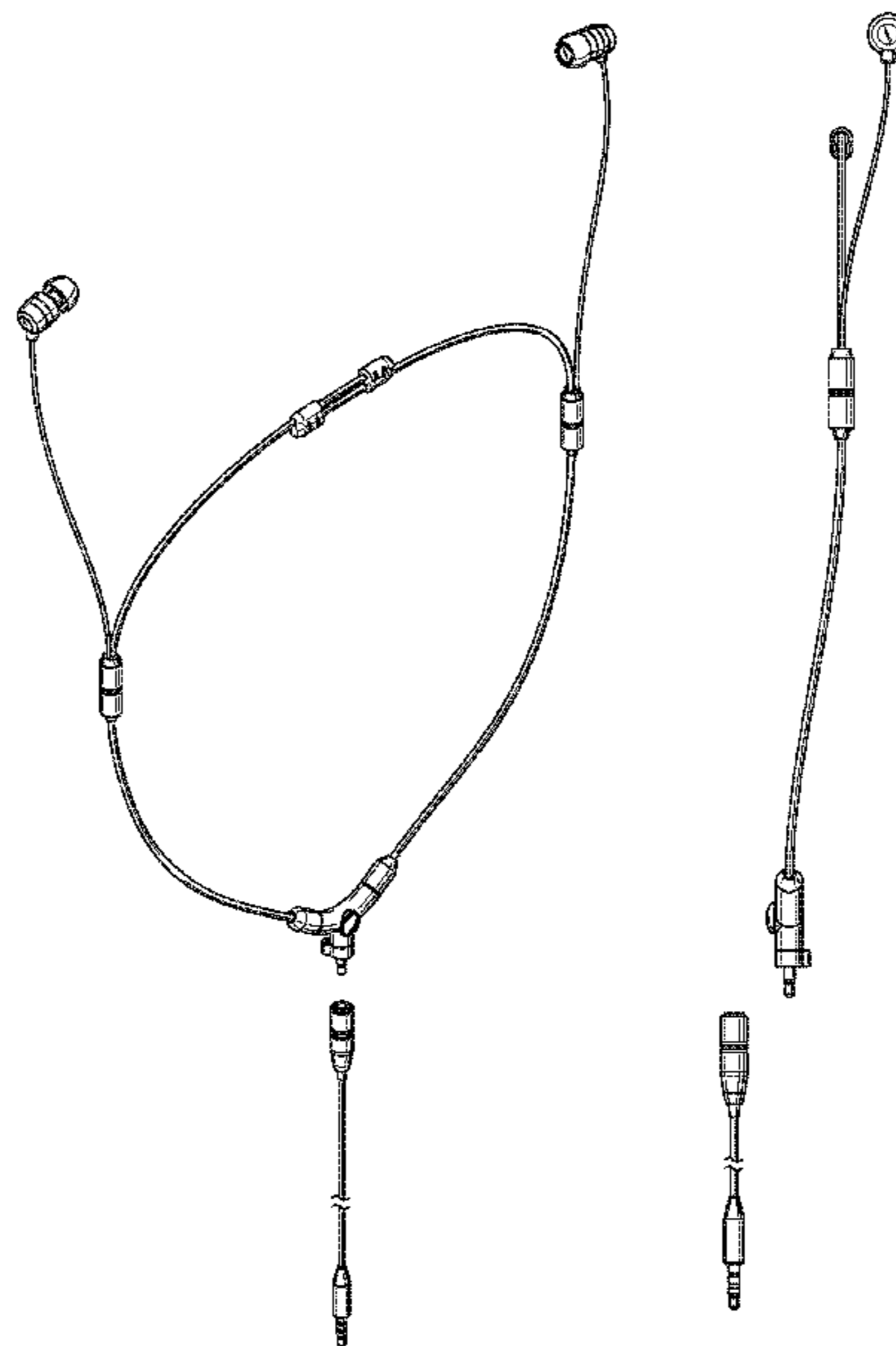
FIG. 4 is a rear elevational view thereof;

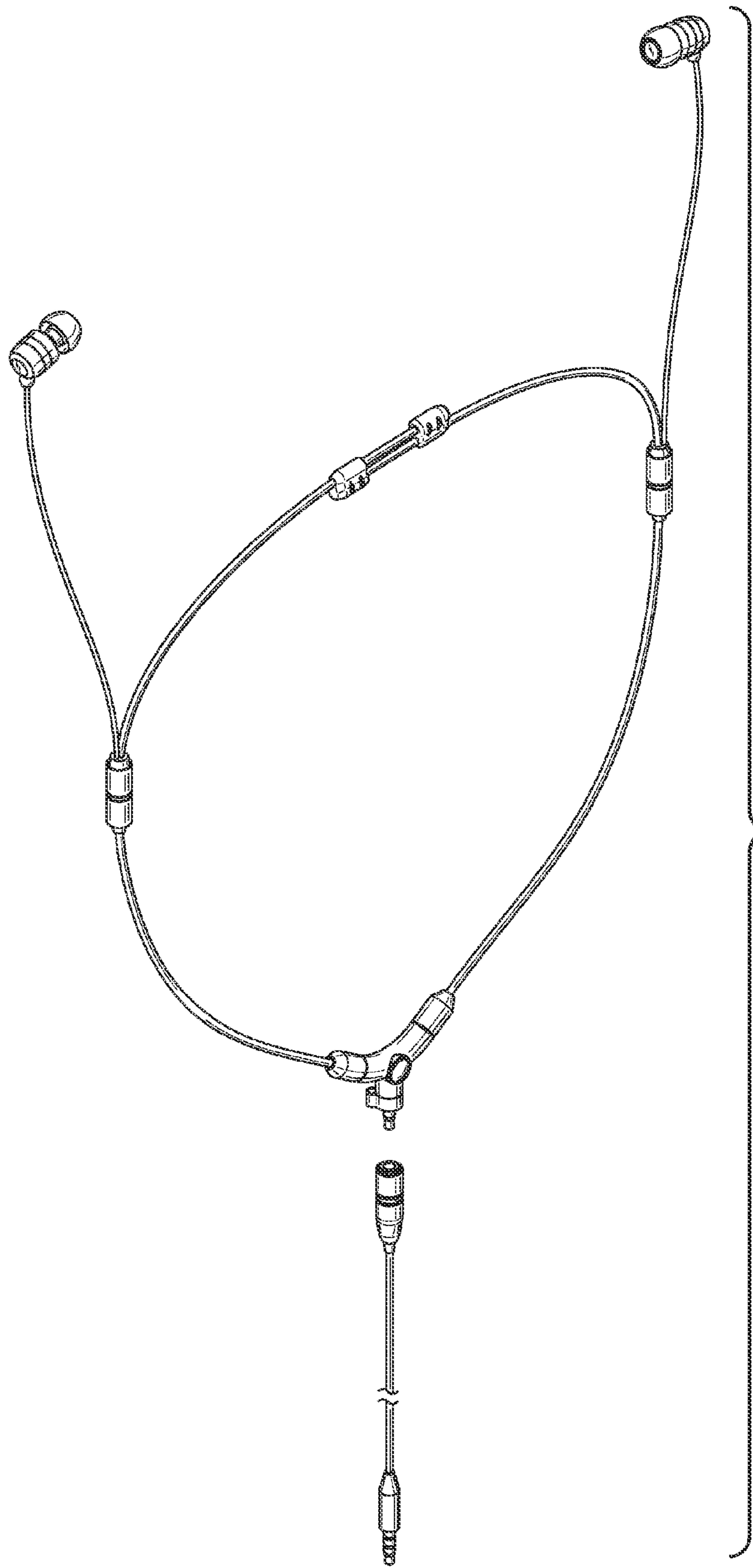
FIG. 5 is a left side elevational view thereof;

FIG. 6 is a top plan view thereof; and,

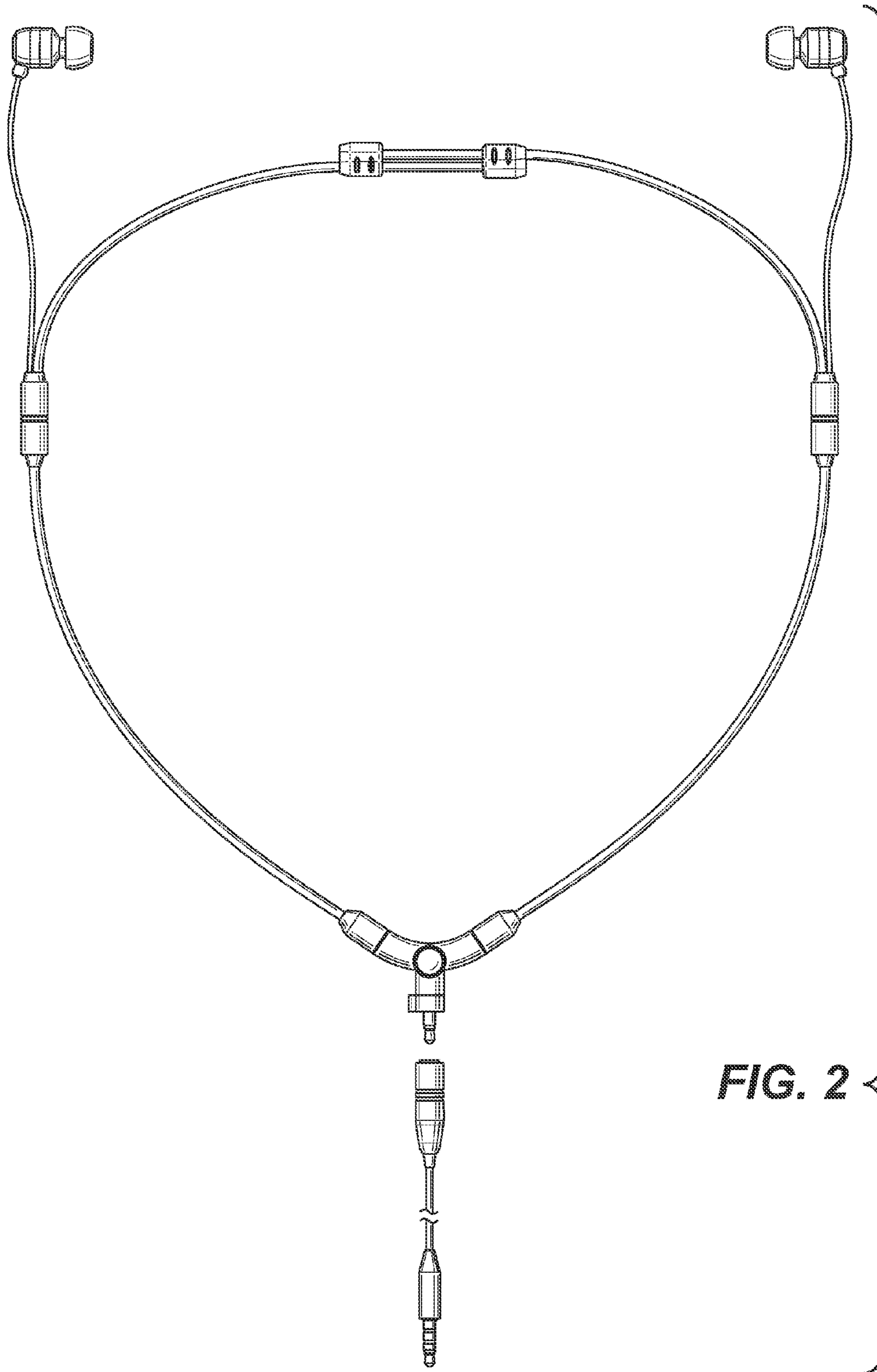
FIG. 7 is a bottom plan view thereof.

**1 Claim, 5 Drawing Sheets**

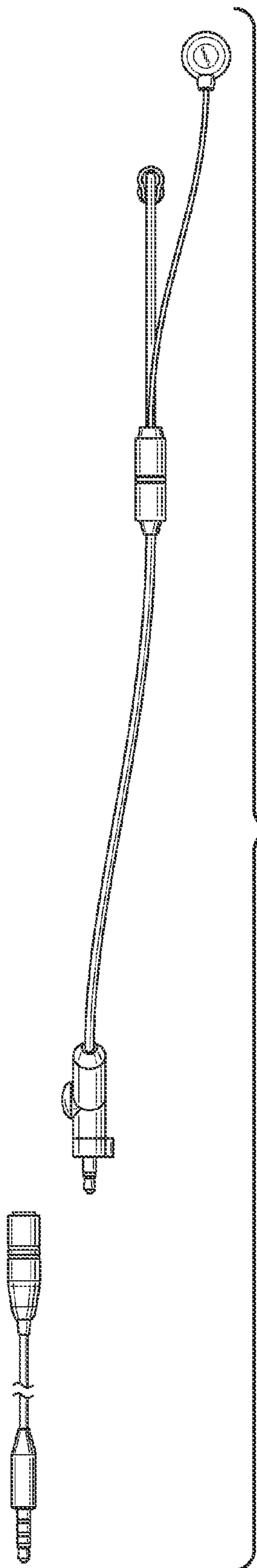




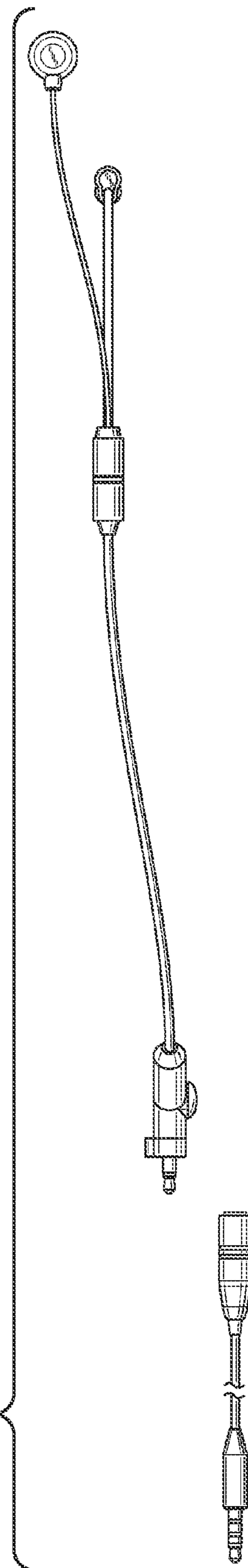
**FIG. 1**



**FIG. 2**

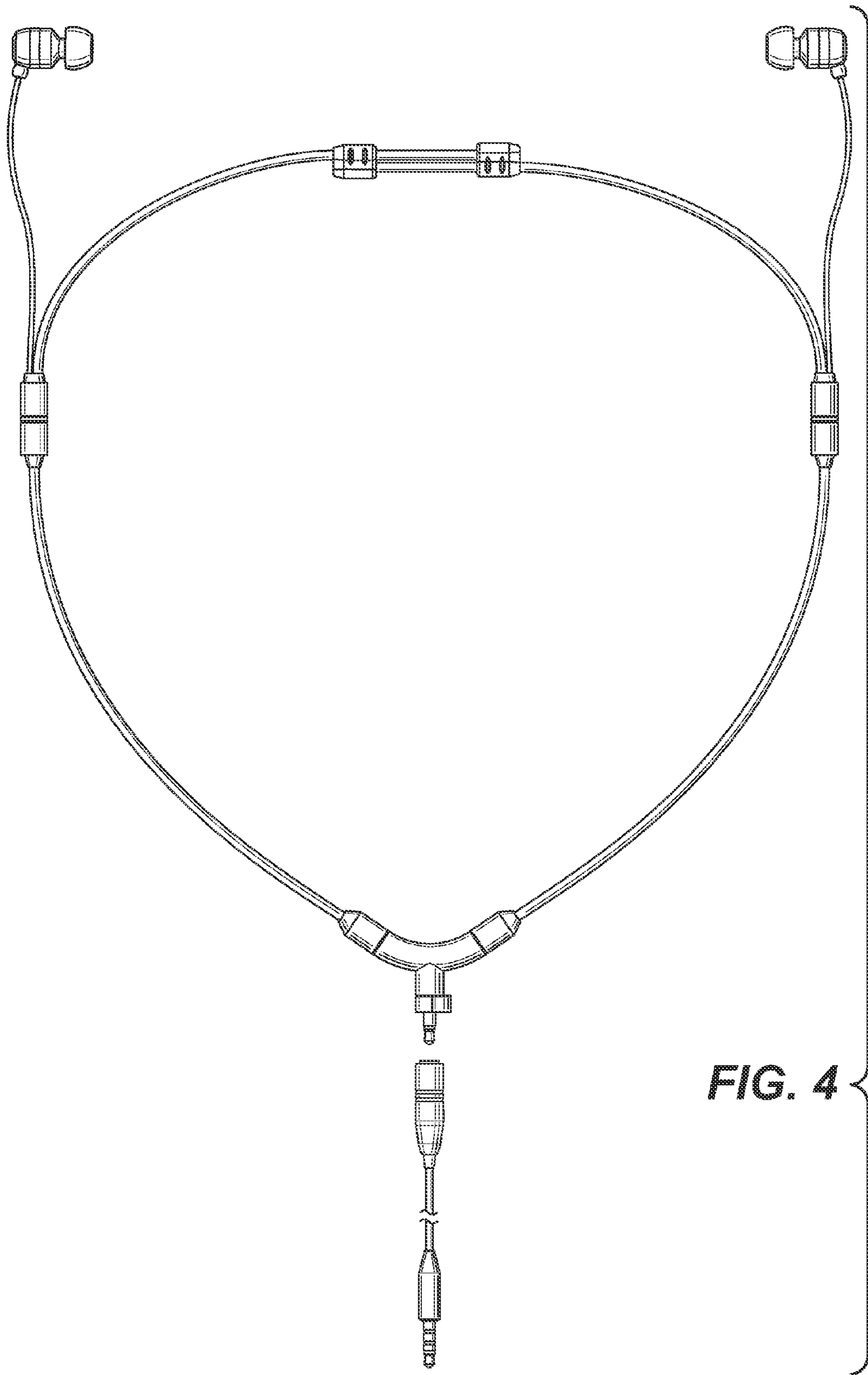


**FIG. 3**

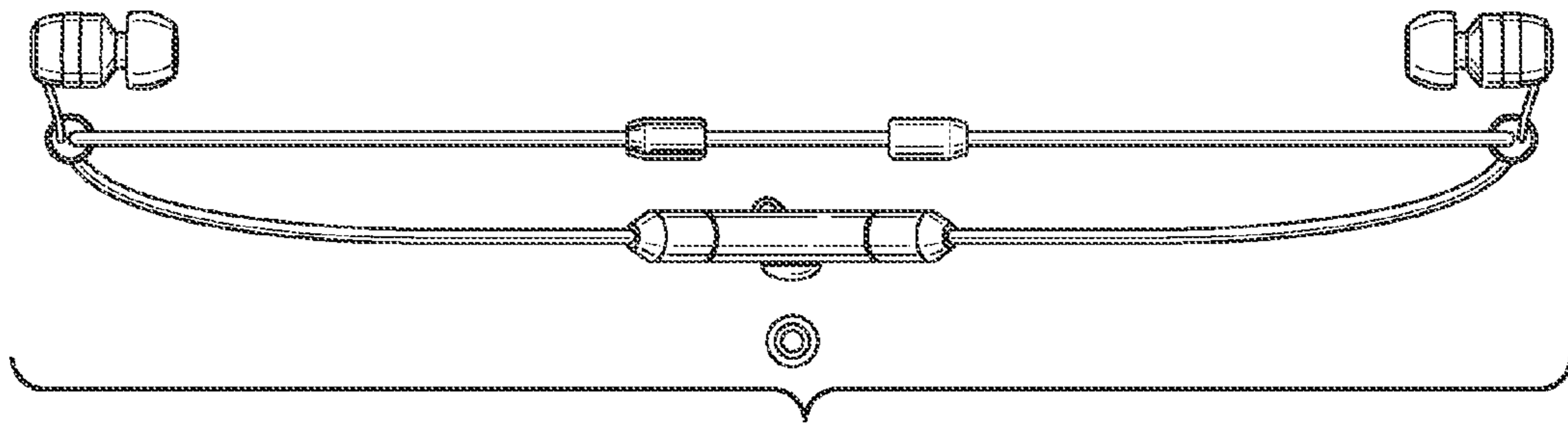


**FIG. 5**

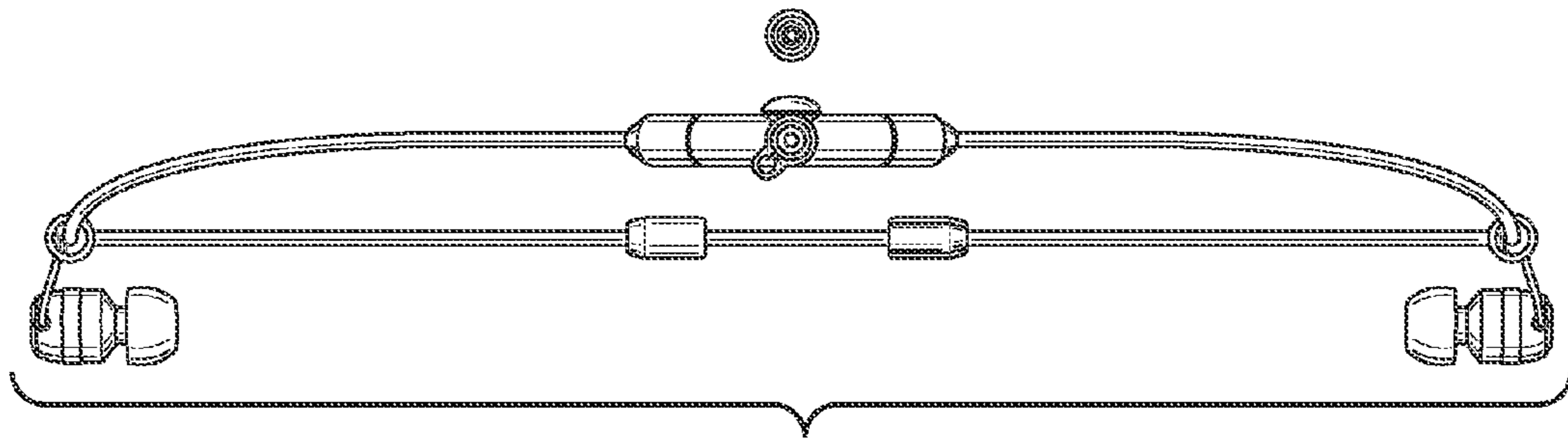




**FIG. 4**



**FIG. 6**



**FIG. 7**