



US00D595688S

(12) **United States Design Patent**
Shiono et al.

(10) **Patent No.:** **US D595,688 S**
(45) **Date of Patent:** **** Jul. 7, 2009**

(54) **COMBINED DISC PLAYER, CLOCK AND RADIO RECEIVER**

(75) Inventors: **Daisuke Shiono**, Tokyo (JP); **Naoya Sakeda**, Tokyo (JP); **Yoshiaki Kumagai**, Tokyo (JP)

(73) Assignee: **Sony Corporation**, Tokyo (JP)

(**) Term: **14 Years**

(21) Appl. No.: **29/309,094**

(22) Filed: **Jun. 20, 2008**

(30) **Foreign Application Priority Data**

Dec. 27, 2007 (JP) D2007-035863

(51) **LOC (9) Cl.** **14-01**

(52) **U.S. Cl.** **D14/168; D10/2**

(58) **Field of Classification Search** D14/496,
D14/498-511, 167-168, 188, 197-198, 169-172;
360/99.02, 99.07; 369/75.11, 75.21, 77.11,
369/77.21; 720/601, 612, 619, 649, 655;
455/344, 347-351; D10/2, 15

See application file for complete search history.

(56) **References Cited**

U.S. PATENT DOCUMENTS

D302,664 S * 8/1989 Dawson, Jr. D10/15
D455,793 S * 4/2002 Lin D14/496

D468,717 S * 1/2003 Cuvelier D14/168
D476,636 S 7/2003 Ota
D485,251 S * 1/2004 Lee D14/509
D488,796 S 4/2004 Hirano
D518,016 S 3/2006 Hirano
D519,976 S * 5/2006 Lee D14/509

* cited by examiner

Primary Examiner—Nanda Bondade

(74) *Attorney, Agent, or Firm*—Rader, Fishman & Grauer, PLLC

(57) **CLAIM**

The ornamental design for a combined disc player, clock and radio receiver, as shown.

DESCRIPTION

FIG. 1 is a perspective view of a combined disc player, clock and radio receiver showing our new design;

FIG. 2 is a front elevational view thereof;

FIG. 3 is a left side elevational view thereof;

FIG. 4 is a right side elevational view thereof;

FIG. 5 is a top plan view thereof;

FIG. 6 is a bottom plan view thereof; and,

FIG. 7 is a rear elevational view thereof.

The portions indicated in broken lines are for illustrative purposes only and form no part of the claimed design.

1 Claim, 7 Drawing Sheets

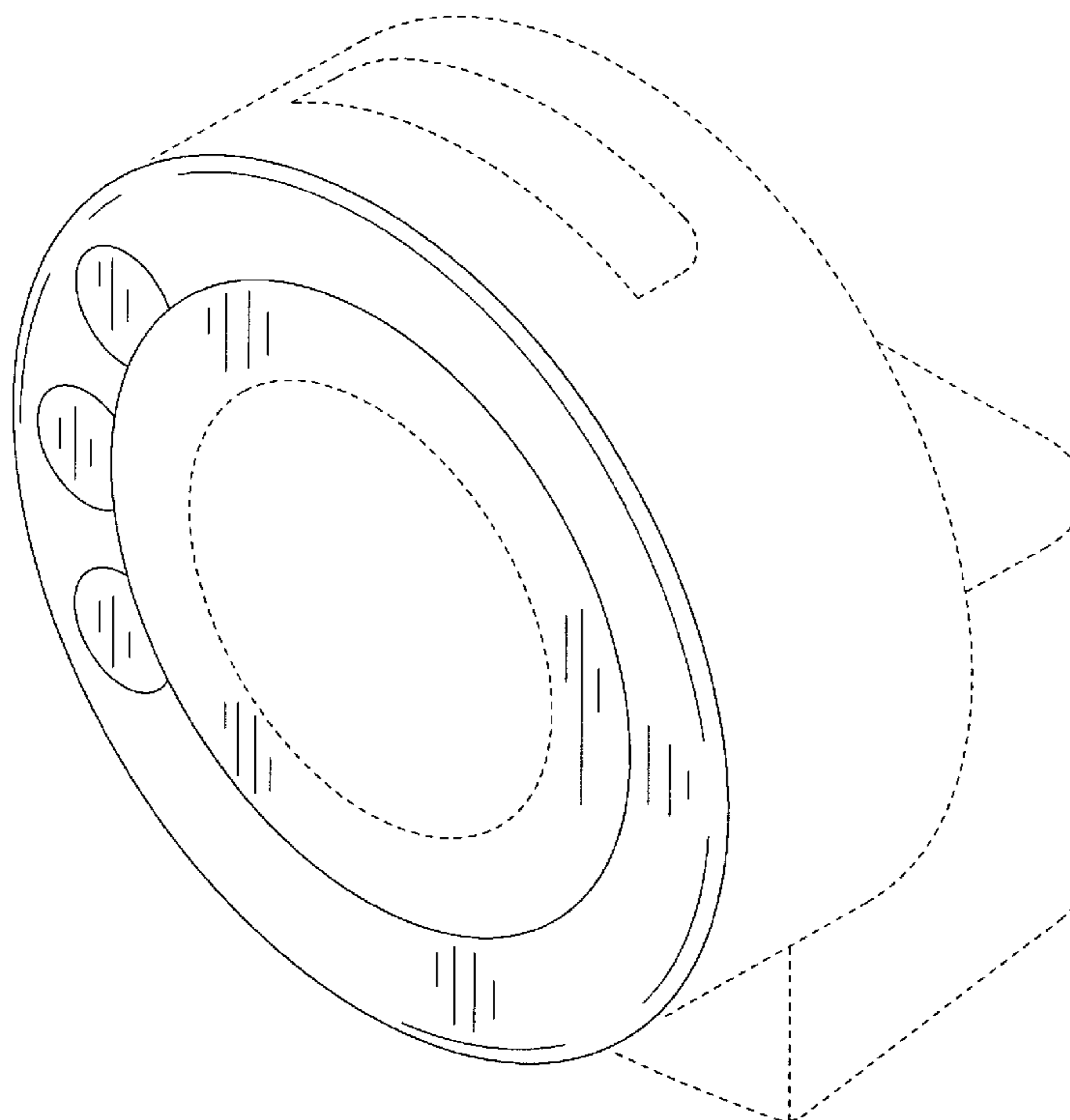


FIG.1

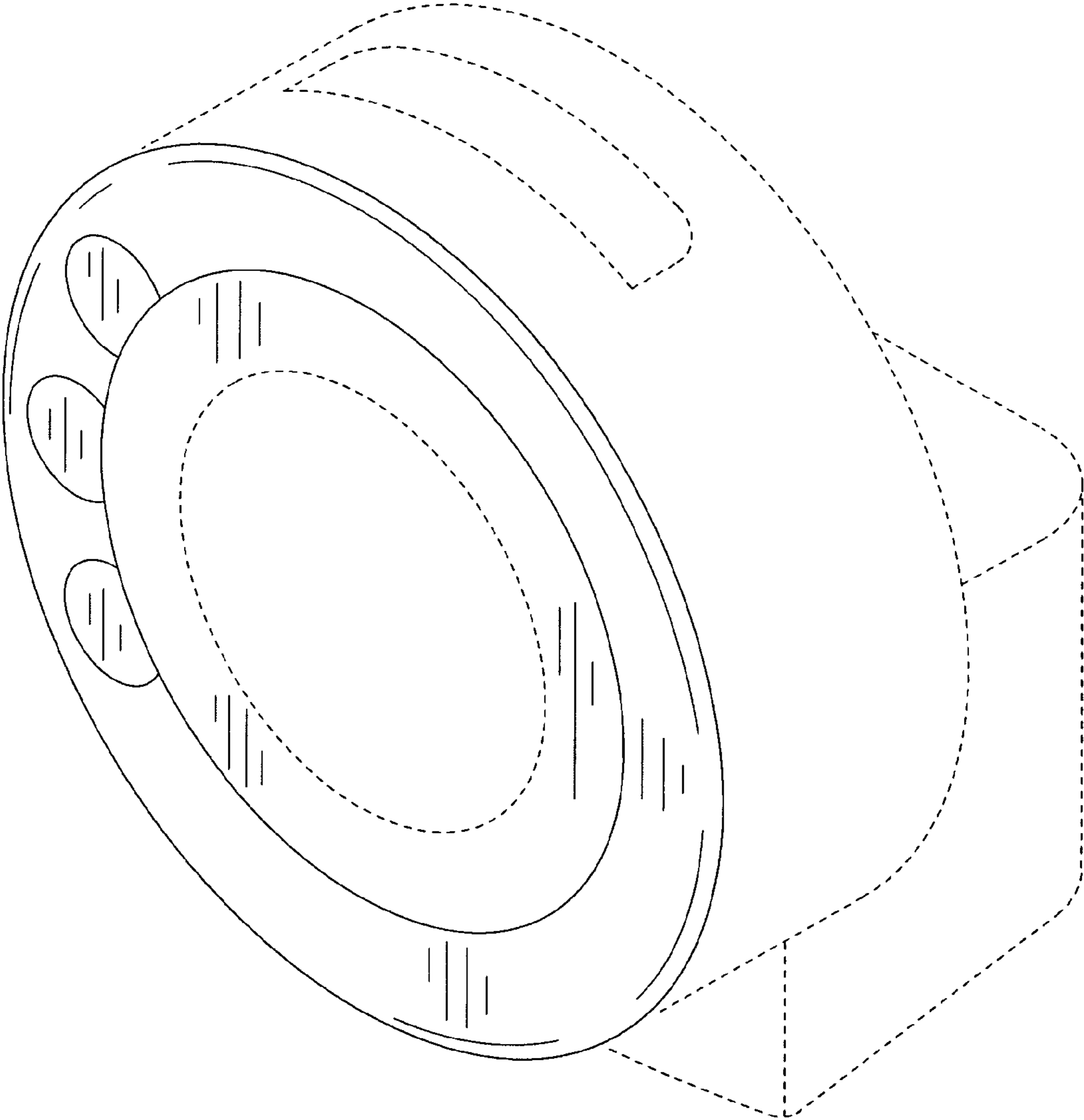


FIG.2

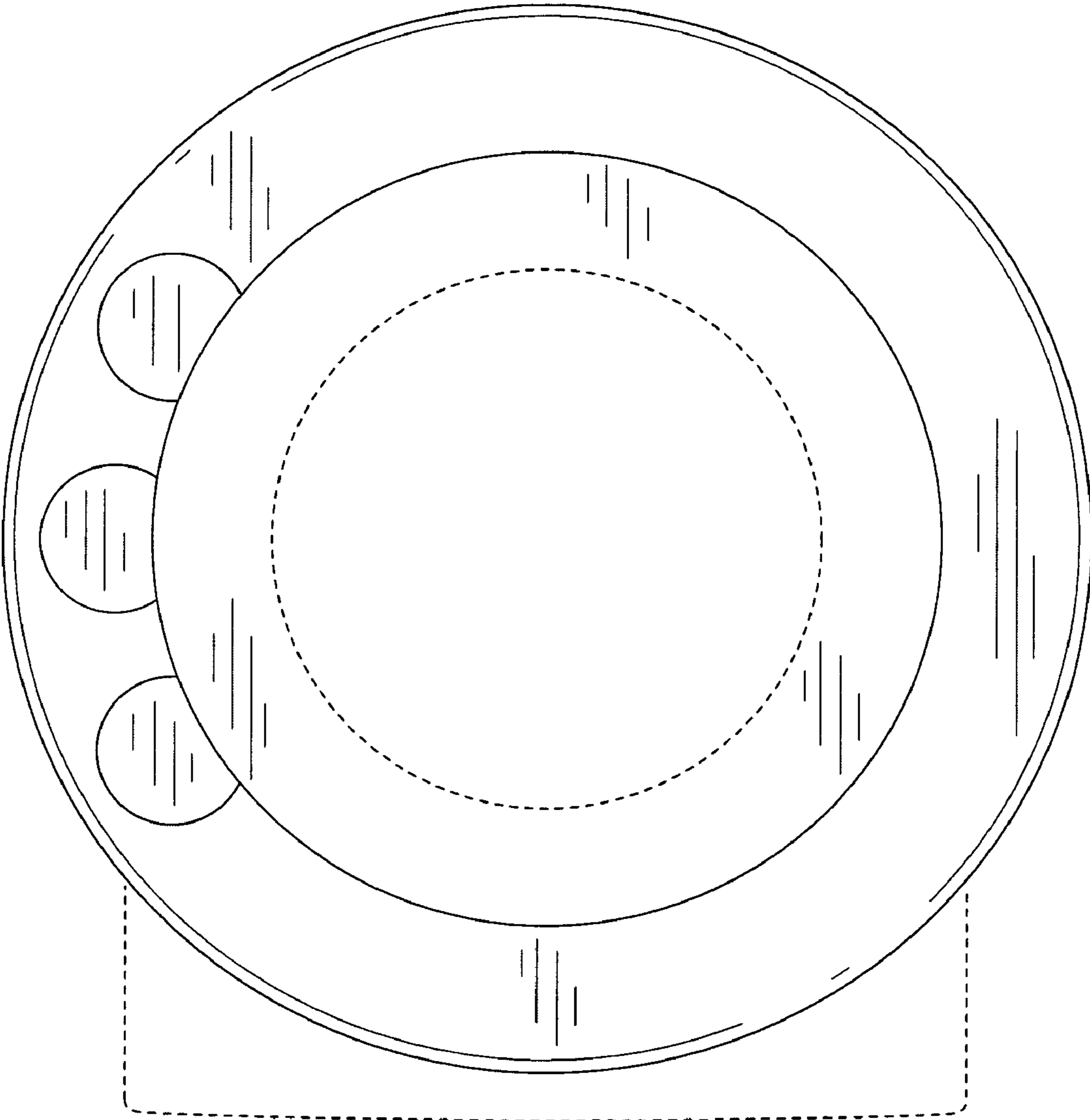


FIG.3

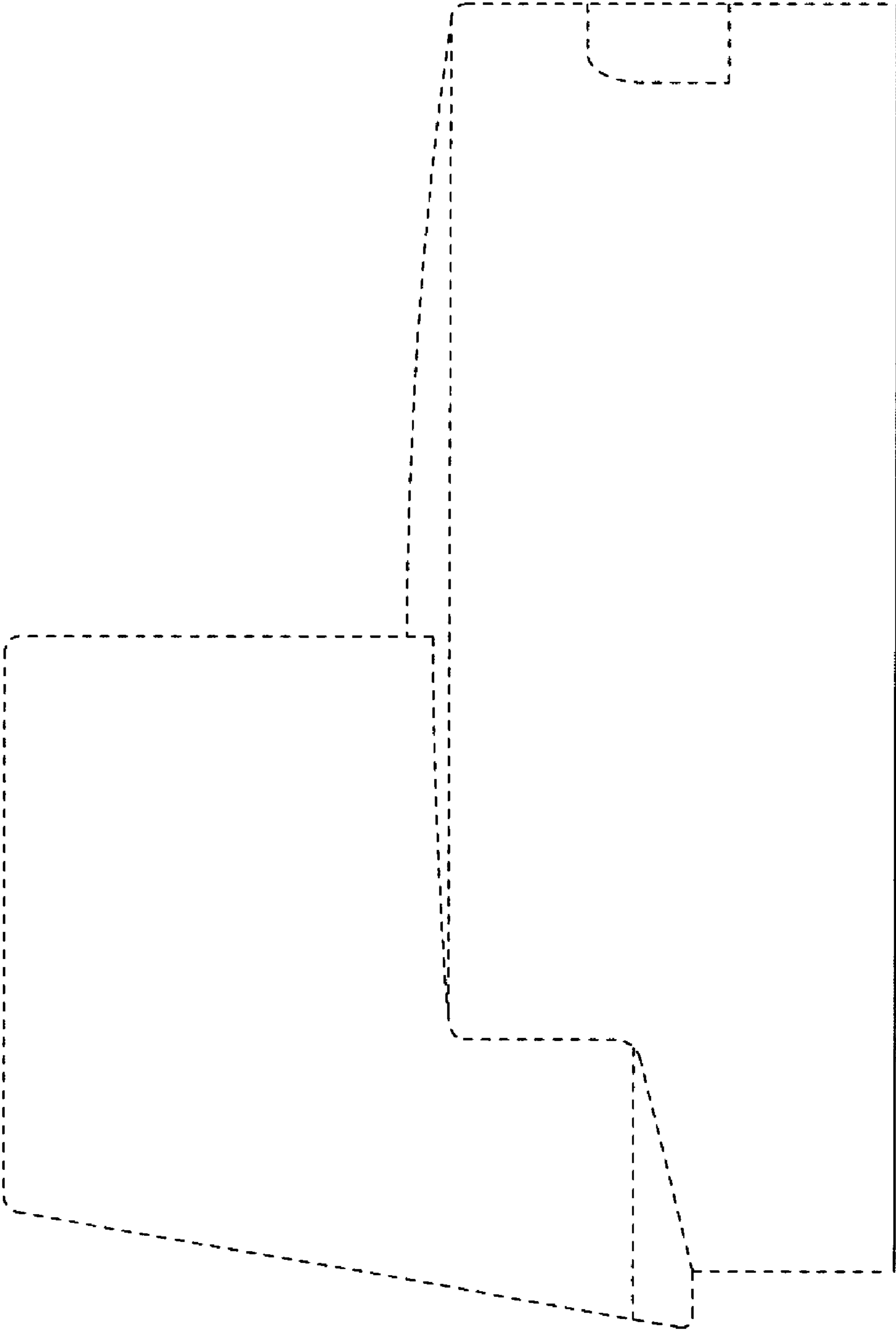


FIG.5

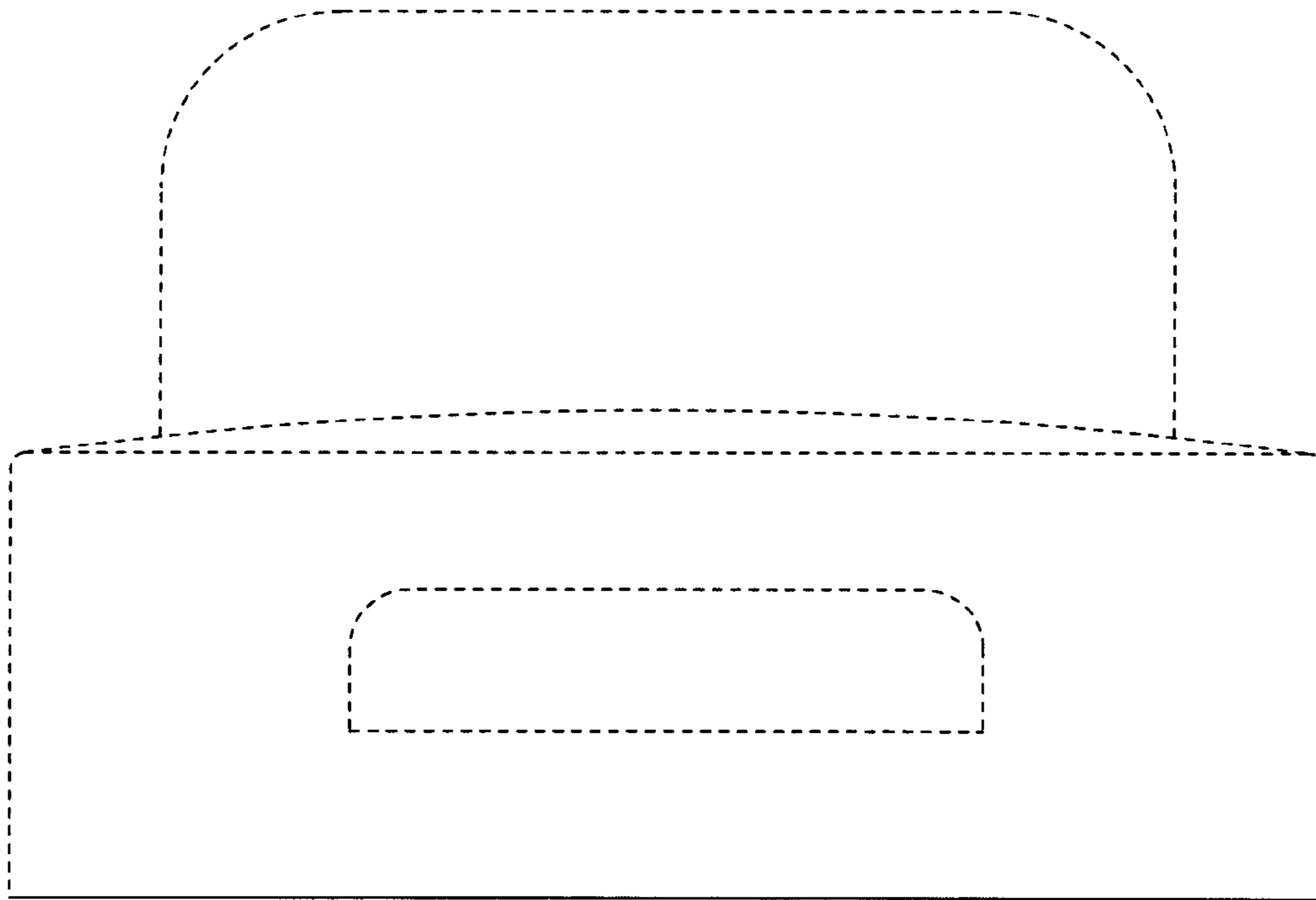


FIG.6

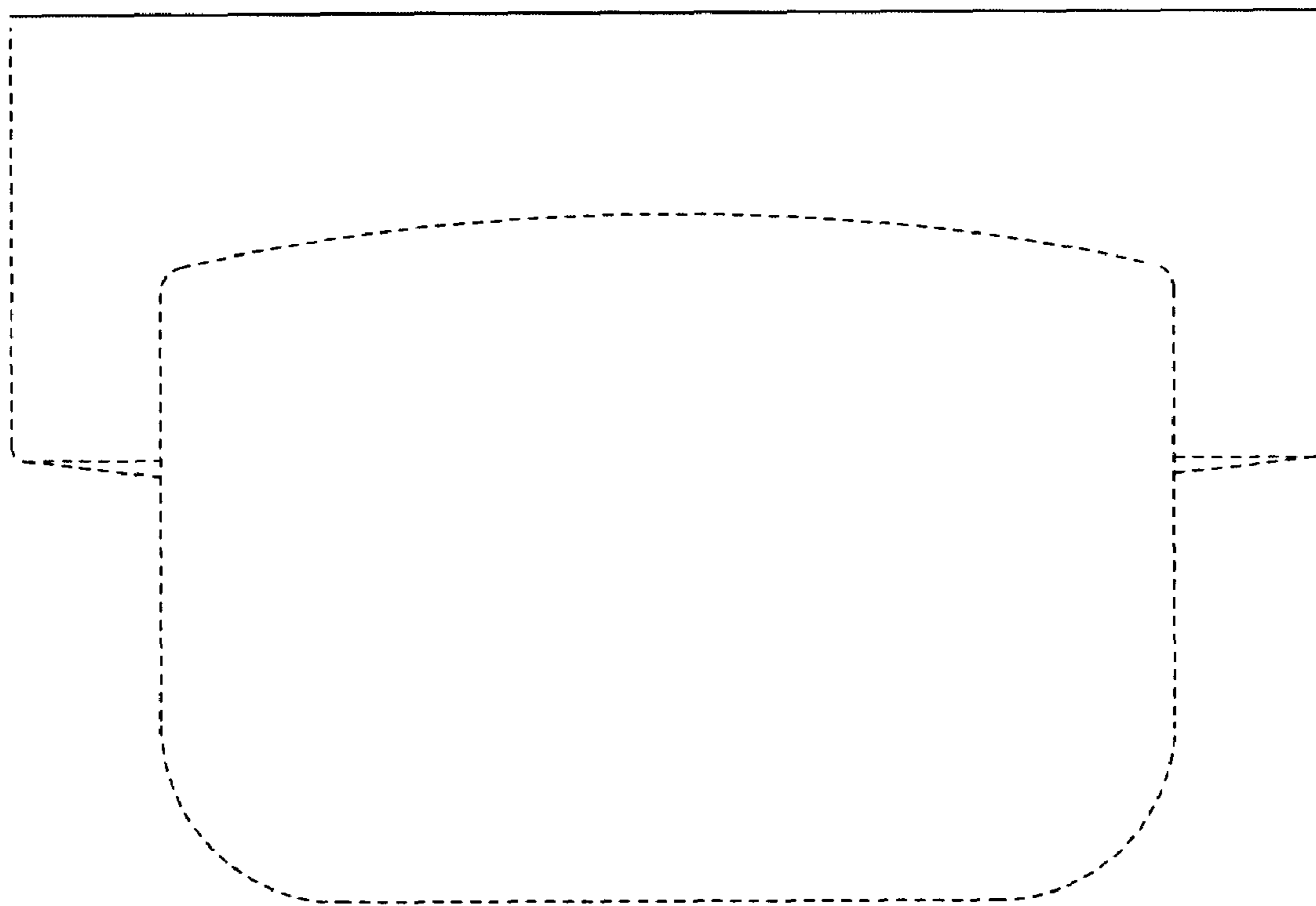


FIG.7

