



US00D595687S

(12) **United States Design Patent**  
**Shiono et al.**

(10) **Patent No.:** **US D595,687 S**  
(45) **Date of Patent:** **\*\* Jul. 7, 2009**

(54) **COMBINED DISC PLAYER, CLOCK AND RADIO RECEIVER**

(75) Inventors: **Daisuke Shiono**, Tokyo (JP); **Naoya Sukeda**, Tokyo (JP); **Yoshiaki Kumagai**, Tokyo (JP)

(73) Assignee: **Sony Corporation**, Tokyo (JP)

(\*\*) Term: **14 Years**

(21) Appl. No.: **29/309,093**

(22) Filed: **Jun. 20, 2008**

(30) **Foreign Application Priority Data**

Dec. 27, 2007 (JP) ..... D2007-035864

(51) **LOC (9) Cl.** ..... **14-01**

(52) **U.S. Cl.** ..... **D14/168; D10/2**

(58) **Field of Classification Search** ..... D14/496,  
D14/498-511, 167-168, 188, 197-198, 169-172;  
360/99.02, 99.07; 369/75.11, 75.21, 77.11,  
369/77.21; 720/601, 612, 619, 649, 655;  
455/344, 347-351; D10/2, 15

See application file for complete search history.

(56) **References Cited**

**U.S. PATENT DOCUMENTS**

D302,664 S \* 8/1989 Dawson, Jr. .... D10/15  
D455,793 S \* 4/2002 Lin ..... D14/496

D468,717 S \* 1/2003 Cuvelier ..... D14/168  
D476,636 S 7/2003 Ota  
D485,251 S \* 1/2004 Lee ..... D14/509  
D488,796 S 4/2004 Hirano  
D518,016 S 3/2006 Hirano  
D519,976 S \* 5/2006 Lee ..... D14/509

\* cited by examiner

*Primary Examiner*—Nanda Bondade

(74) *Attorney, Agent, or Firm*—Rader, Fishman & Grauer, PLLC

(57) **CLAIM**

The ornamental design for a combined disc player, clock and radio receiver, as shown and described.

**DESCRIPTION**

FIG. 1 is a perspective view of a combined disc player, clock and radio receiver showing our new design;

FIG. 2 is a front elevational view thereof;

FIG. 3 is a rear elevational view thereof;

FIG. 4 is a left side elevational view thereof;

FIG. 5 is a right side elevational view thereof;

FIG. 6 is a top plan view thereof; and,

FIG. 7 is a bottom plan view thereof.

The portions indicated in broken lines are for illustrative purposes only and form no part of the claimed design.

**1 Claim, 7 Drawing Sheets**

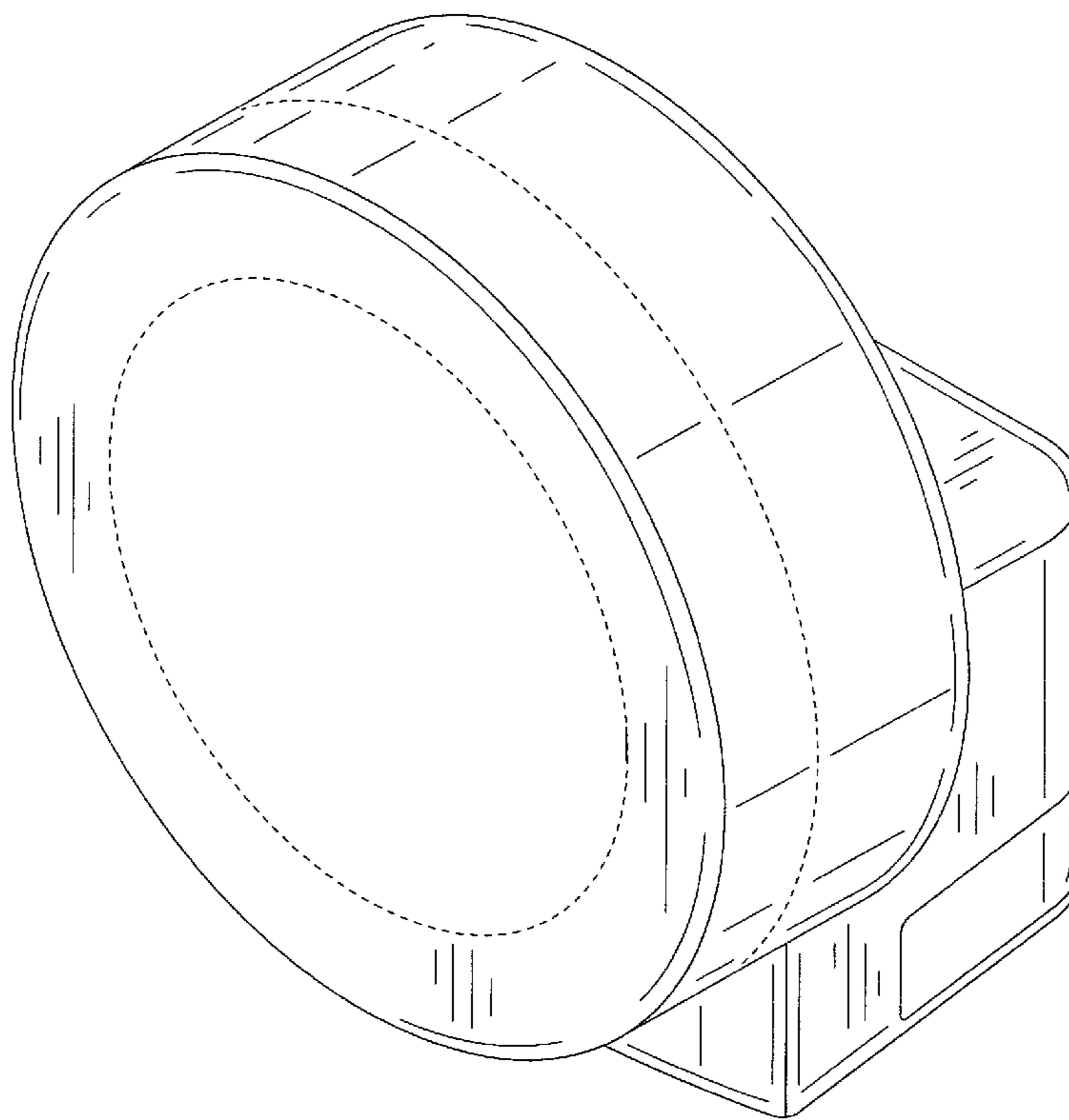


FIG.1

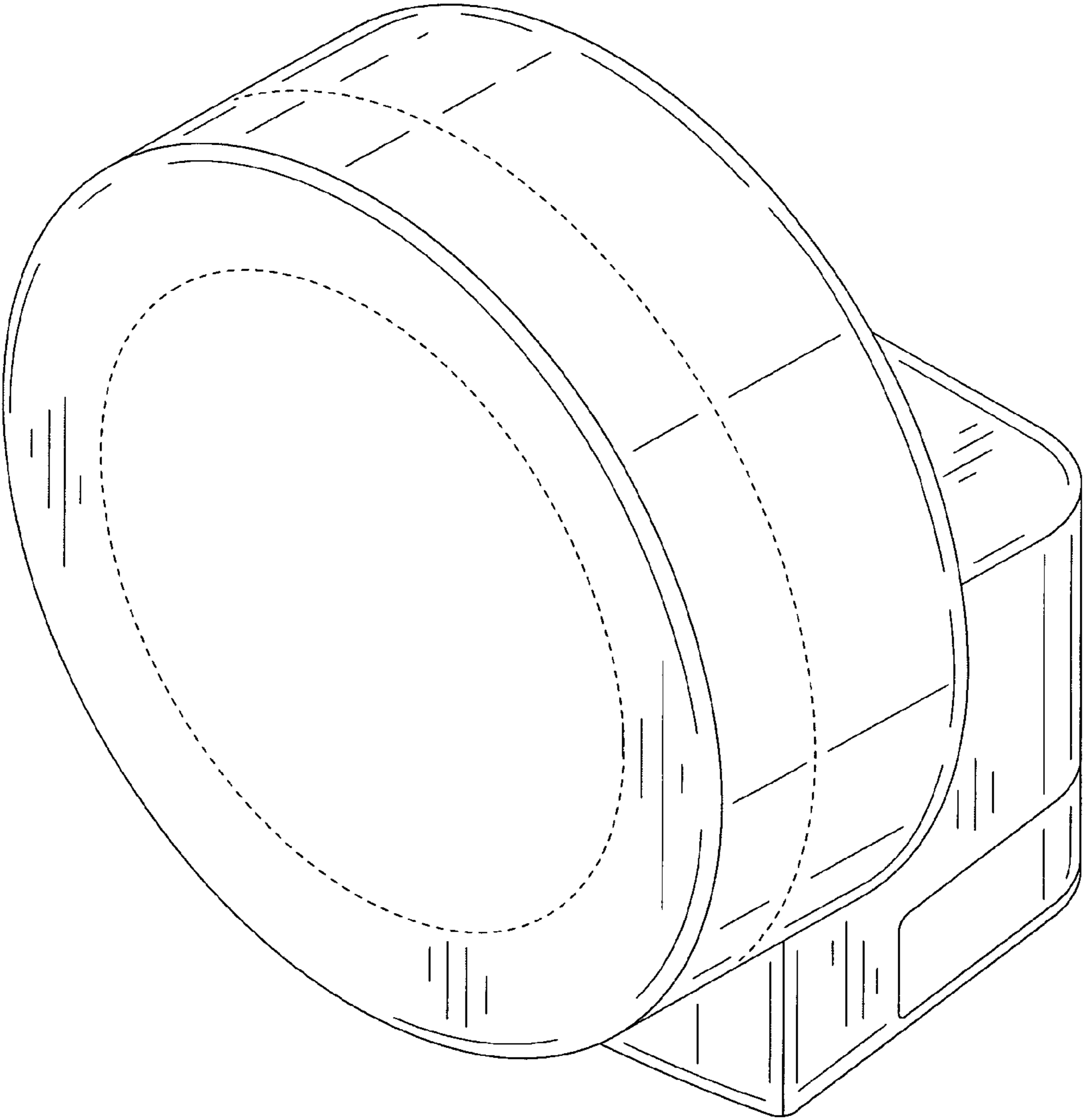


FIG.2

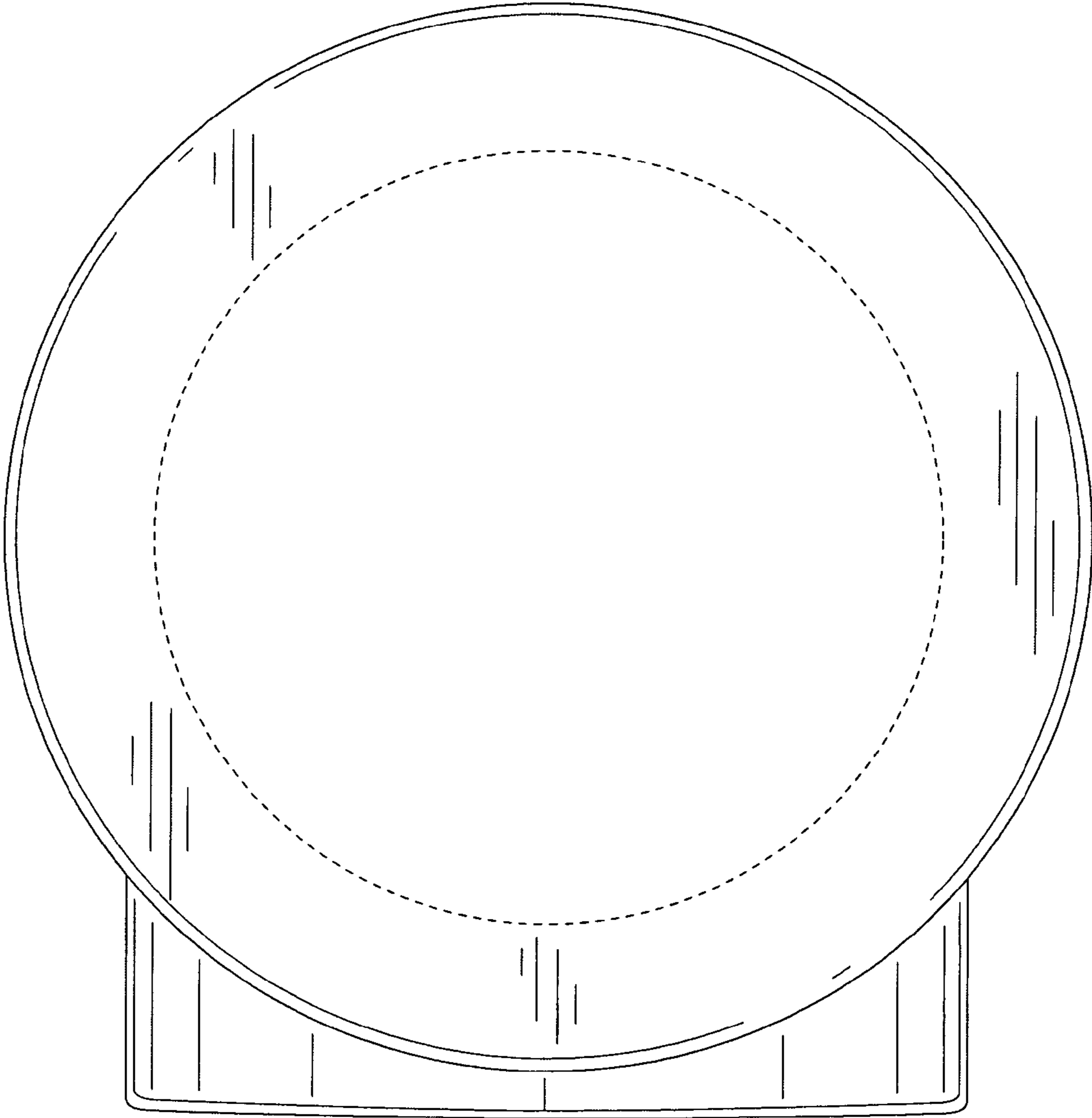


FIG.3

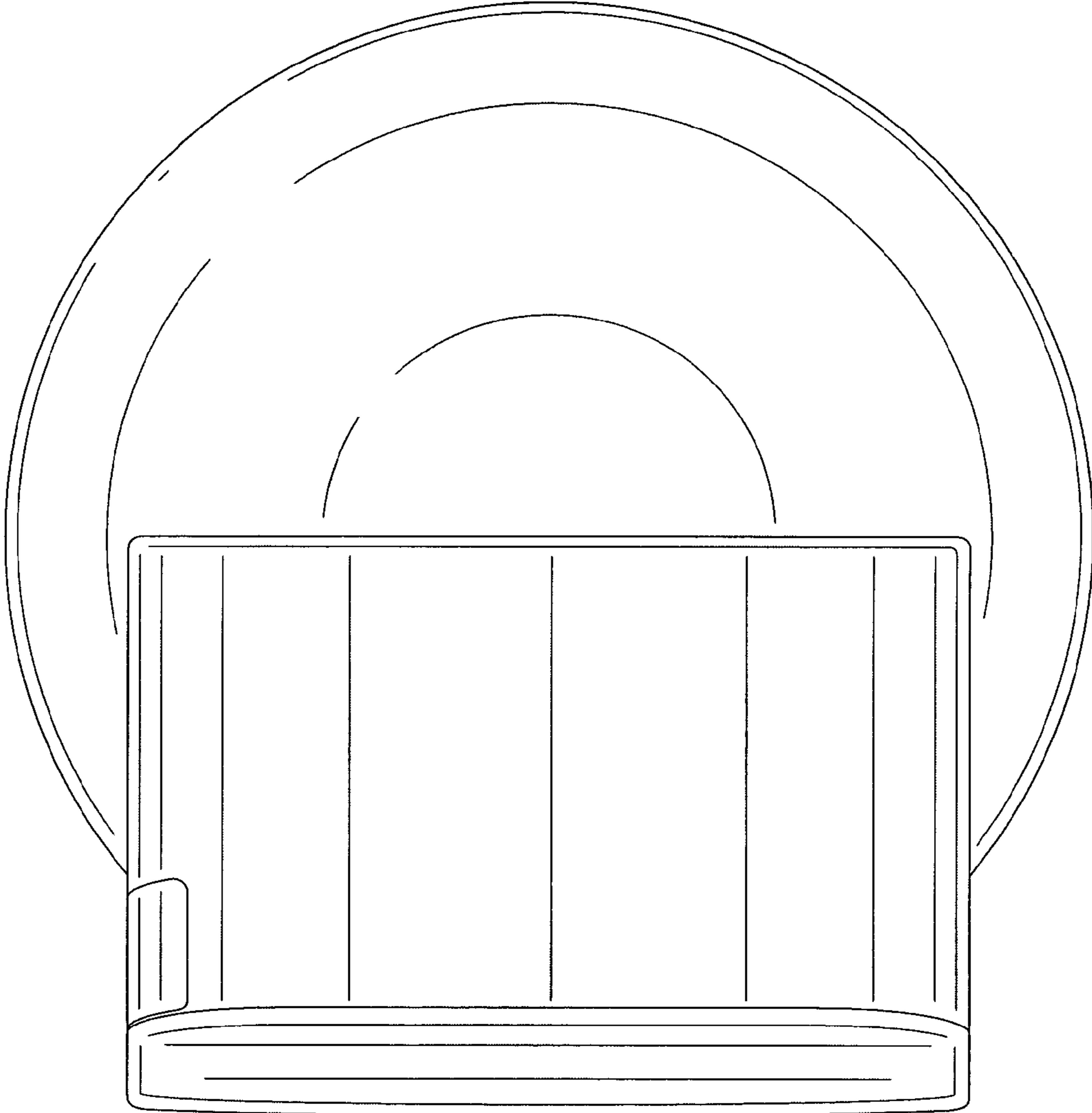


FIG.4

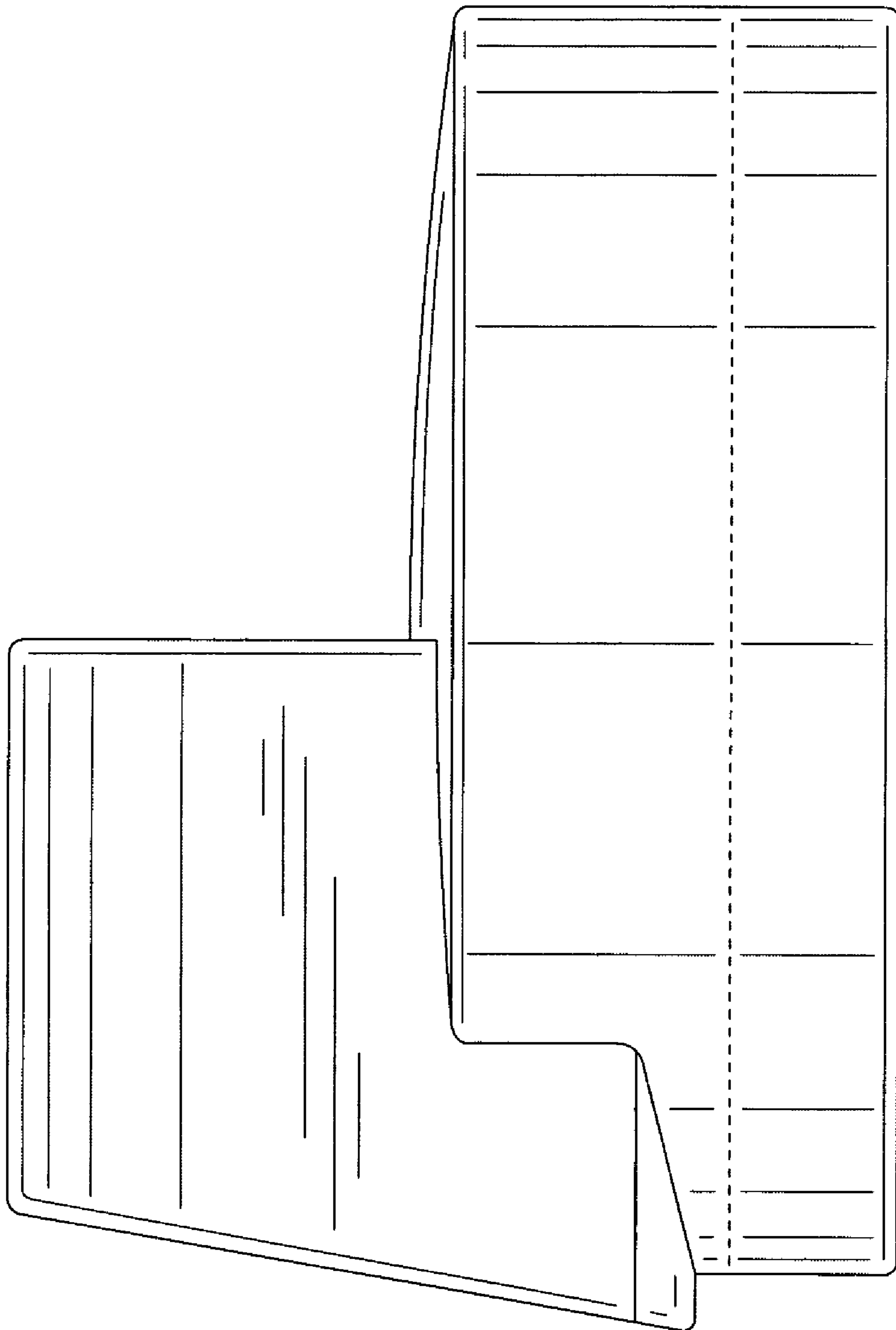


FIG.5

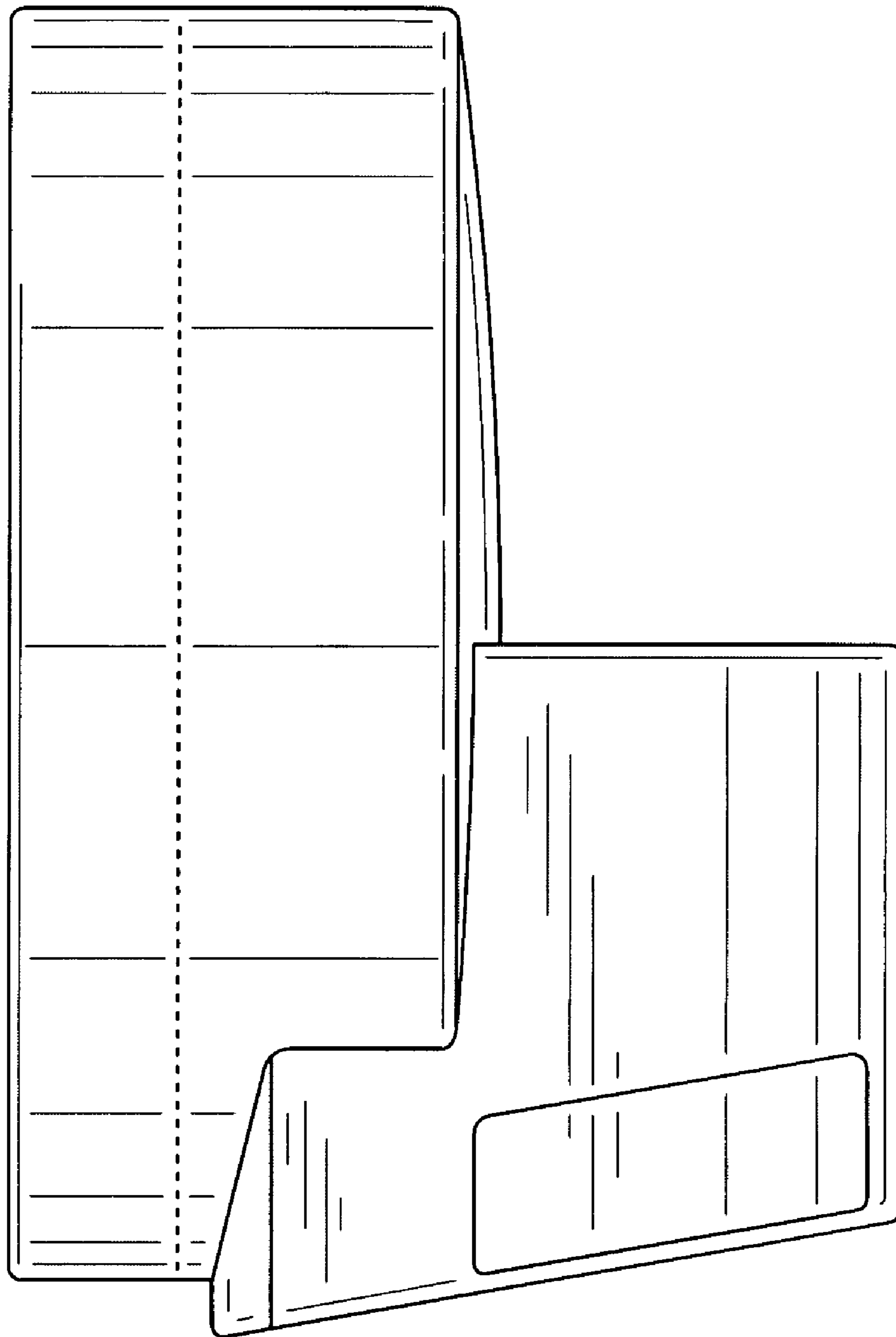


FIG.6

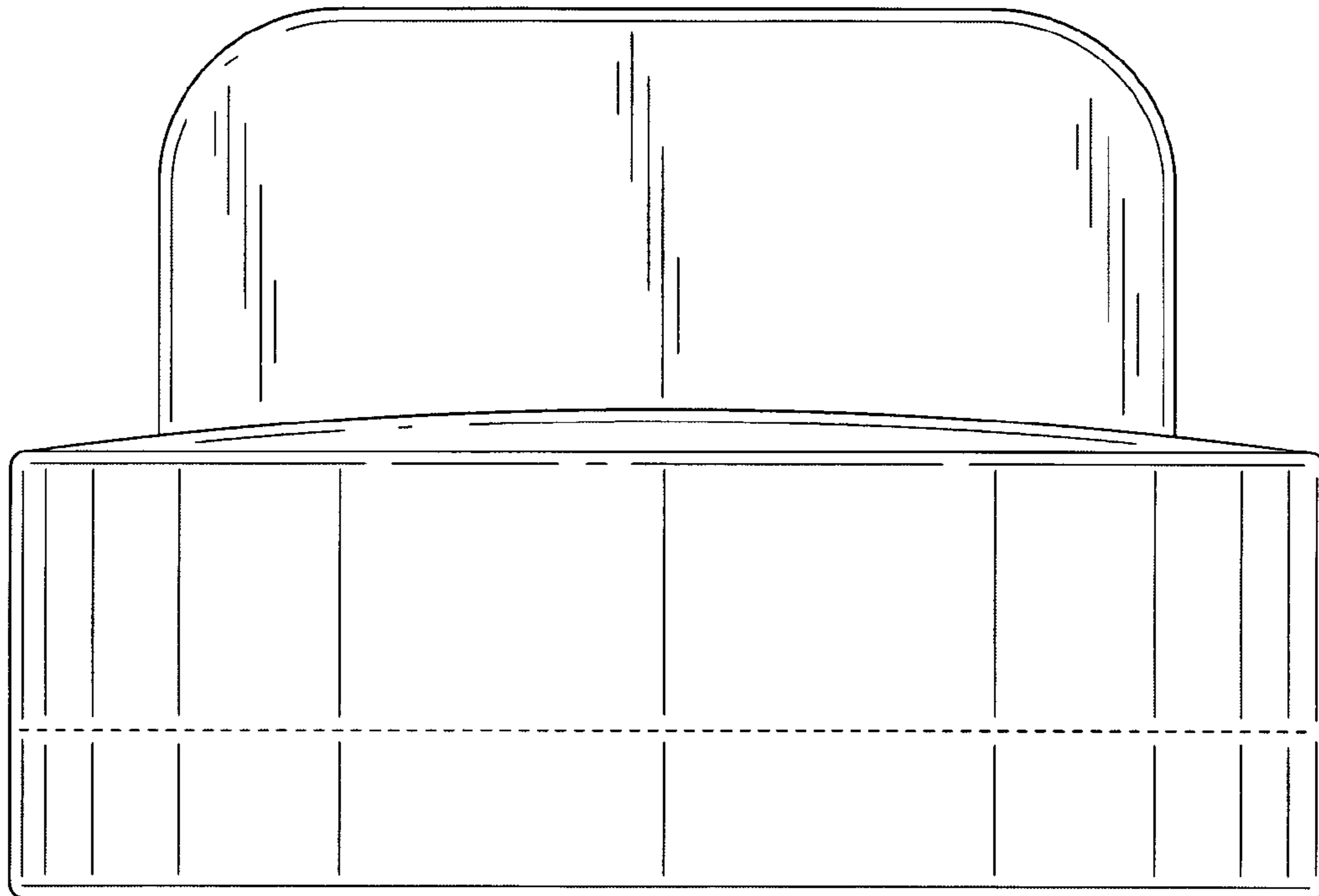


FIG.7

