



US00D595679S

(12) **United States Design Patent**  
**Devenish, III et al.**

(10) **Patent No.:** **US D595,679 S**  
(45) **Date of Patent:** **\*\* Jul. 7, 2009**

(54) **TWO-WAY RADIO** D336,650 S 6/1993 Guzik et al. .... D14/257

(75) Inventors: **William R. Devenish, III**, Ontario, NY (US); **Jason Scott**, Webster, NY (US); **Timothy Rountree**, East Rochester, NY (US); **Thomas Wertman**, Churchville, NY (US); **Michael Barrese**, Victor, NY (US); **Robert Bray**, Webster, NY (US)

(Continued)

**OTHER PUBLICATIONS**

Motorola XPR6500-6550, [online], [retrieved on Mar. 24, 2009]. Retrieved from Internet ,<URL: http://www.talktwoway.com>.\*  
Motorola CP125, [online], [retrieved on Mar. 24, 2009]. Retrieved from Internet ,<URL: http://www.talktwoway.com>.\*  
U.S. Appl. No. 29/277,879, filed Mar. 13, 2007, Devenish et al.

(73) Assignee: **Harris Corporation**, Melbourne, FL (US)

*Primary Examiner*—Jeffrey D Asch

*Assistant Examiner*—Bridget L Eland

(\*\*) Term: **14 Years**

(74) *Attorney, Agent, or Firm*—Allen, Dyer, Doppelt, Milbrath & Gilchrist, P.A.

(21) Appl. No.: **29/306,251**

(22) Filed: **Apr. 4, 2008**

(57) **CLAIM**

(51) **LOC (9) Cl.** ..... **14-03**

The ornamental design for a two-way radio, as shown and described.

(52) **U.S. Cl.** ..... **D14/137**

(58) **Field of Classification Search** ..... D14/137, D14/155, 160–171, 188, 191–198, 217, 138 R, D14/138 AA, 138 C, 138 AD, 138 G, 147, D14/218, 341–347; 361/814; 455/90.1–90.3  
See application file for complete search history.

**DESCRIPTION**

(56) **References Cited**

**U.S. PATENT DOCUMENTS**

- D271,764 S \* 12/1983 Toth et al. .... D14/137
- D273,864 S \* 5/1984 Eckmann ..... D14/137
- D290,842 S 7/1987 Scheid et al. .... D14/68
- D292,582 S 11/1987 Schaefer et al. .... D14/68
- D302,686 S 8/1989 Claxton et al. .... D14/137
- D302,687 S 8/1989 Claxton et al. .... D14/137
- D302,688 S 8/1989 Claxton et al. .... D14/137
- D302,978 S 8/1989 Mauch ..... D14/137
- 4,858,798 A \* 8/1989 Siddoway et al. .... 224/242
- D309,136 S 7/1990 Siddoway ..... D14/137
- D322,251 S 12/1991 Siddoway ..... D14/137

FIG. 1 is a perspective view of a two-way radio showing our new design;

FIG. 2 is a front elevational view thereof;

FIG. 3 is a rear elevational view thereof;

FIG. 4 is a side elevational view thereof;

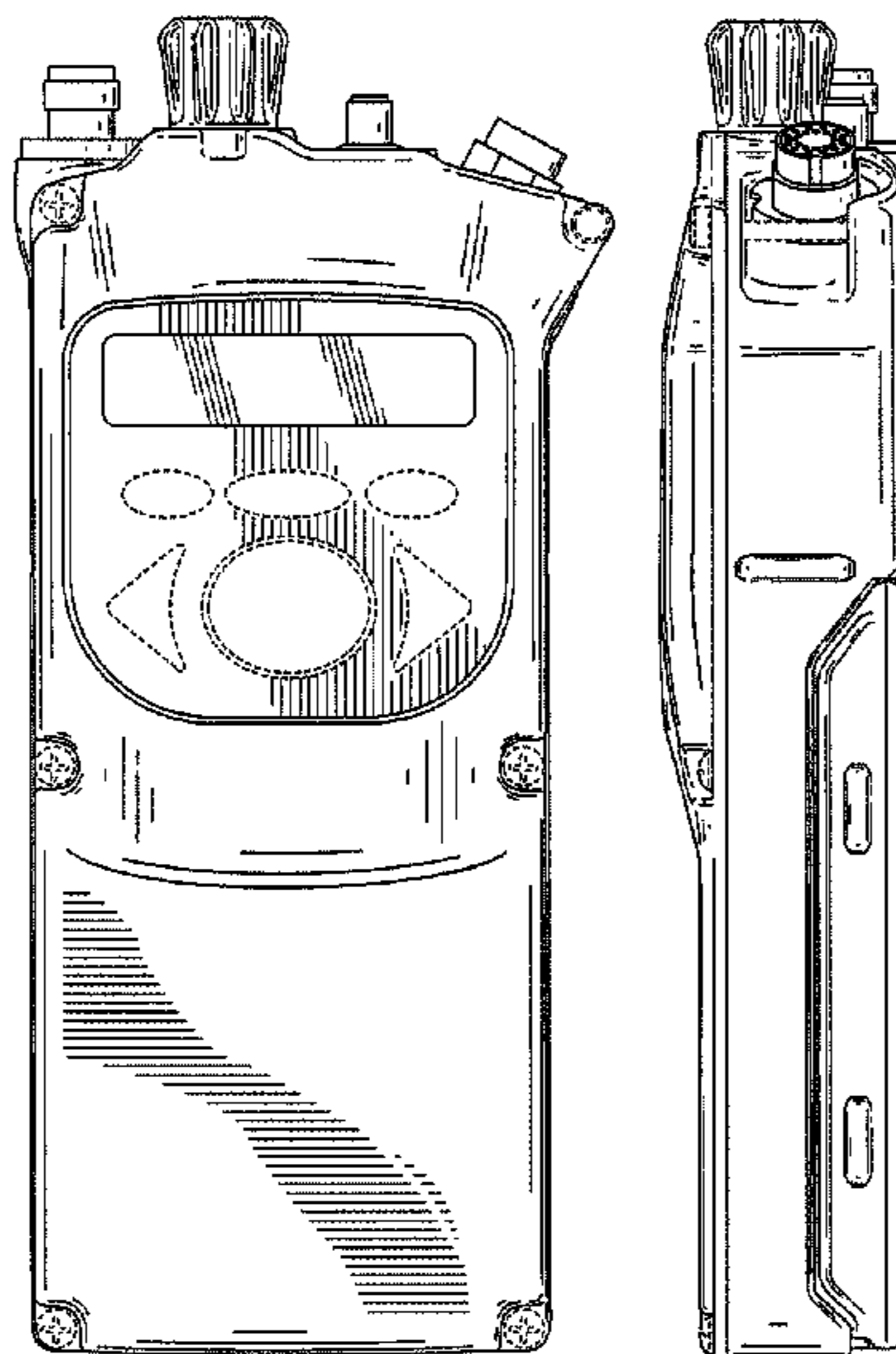
FIG. 5 is an opposite side elevational view thereof;

FIG. 6 is a top plan view thereof; and,

FIG. 7 is a bottom plan view thereof.

The broken line showing of the six features below the display in FIGS. 1 and 2 represents the bounds of the claimed design while the five broken line circles in FIG. 7 are superimposed on a continuous surface. All other broken lines are directed to environment and are for illustrative purposes only. None of the broken lines form a part of the claimed design.

**1 Claim, 5 Drawing Sheets**



# US D595,679 S

Page 2

---

## U.S. PATENT DOCUMENTS

5,265,264	A *	11/1993	Dzung et al. ....	455/90.2	D490,786	S *	6/2004	Richards et al. ....	D14/137
D350,347	S	9/1994	Tracy et al. ....	D14/137	D493,776	S	8/2004	Esslinger et al. ....	D14/137
D351,383	S	10/1994	Richards et al. ....	D14/137	D497,600	S *	10/2004	Richards et al. ....	D14/137
5,438,685	A *	8/1995	Sorensen et al. ....	455/575.9	D564,999	S *	3/2008	Richards et al. ....	D14/137
D378,678	S	4/1997	Tyneski et al. ....	D14/137	D569,358	S *	5/2008	Devenish et al. ....	D14/137
D397,109	S	8/1998	Hockenberry et al. ....	D14/137	D582,869	S *	12/2008	Devenish et al. ....	D14/137
D408,396	S	4/1999	Tyneski et al. ....	D14/137	2004/0203510	A1 *	10/2004	Claxton et al. ....	455/90.3
					2006/0135088	A1 *	6/2006	Chen .....	455/90.3

\* cited by examiner

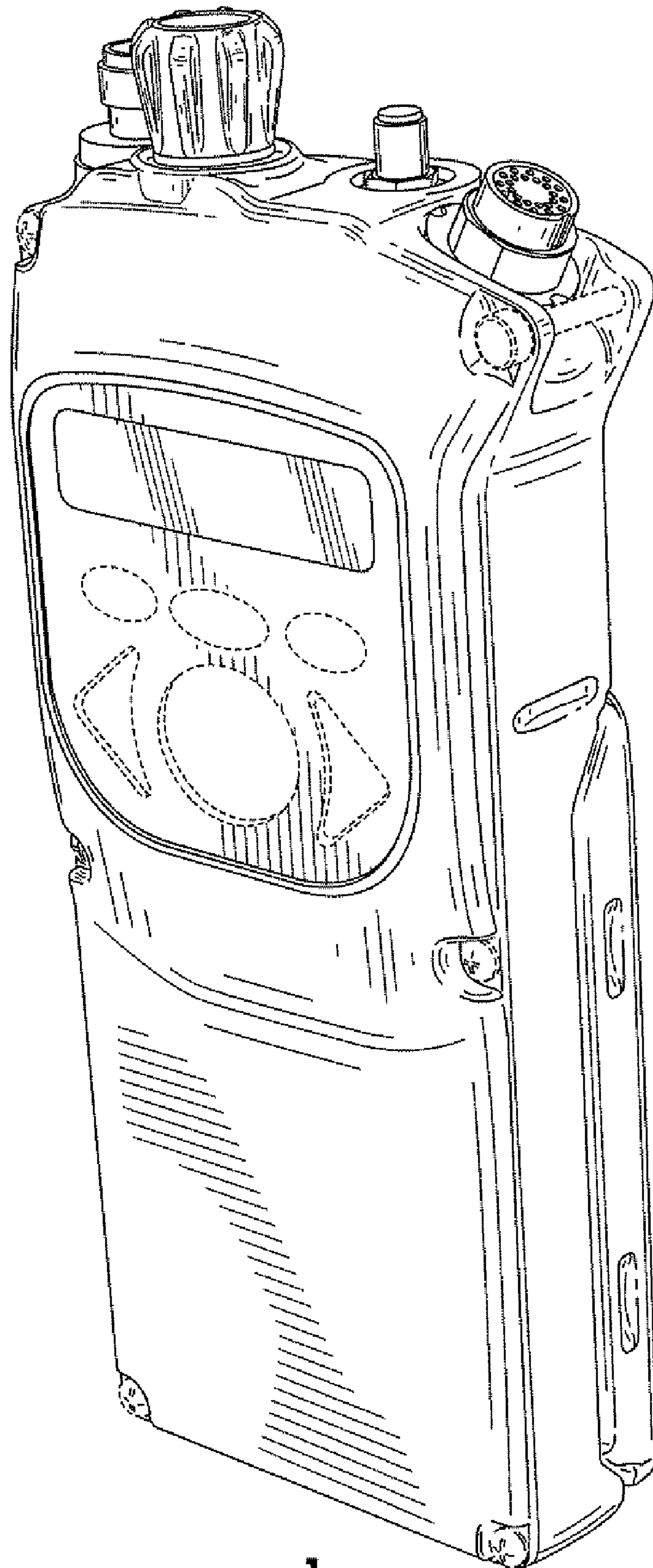


FIG. 1

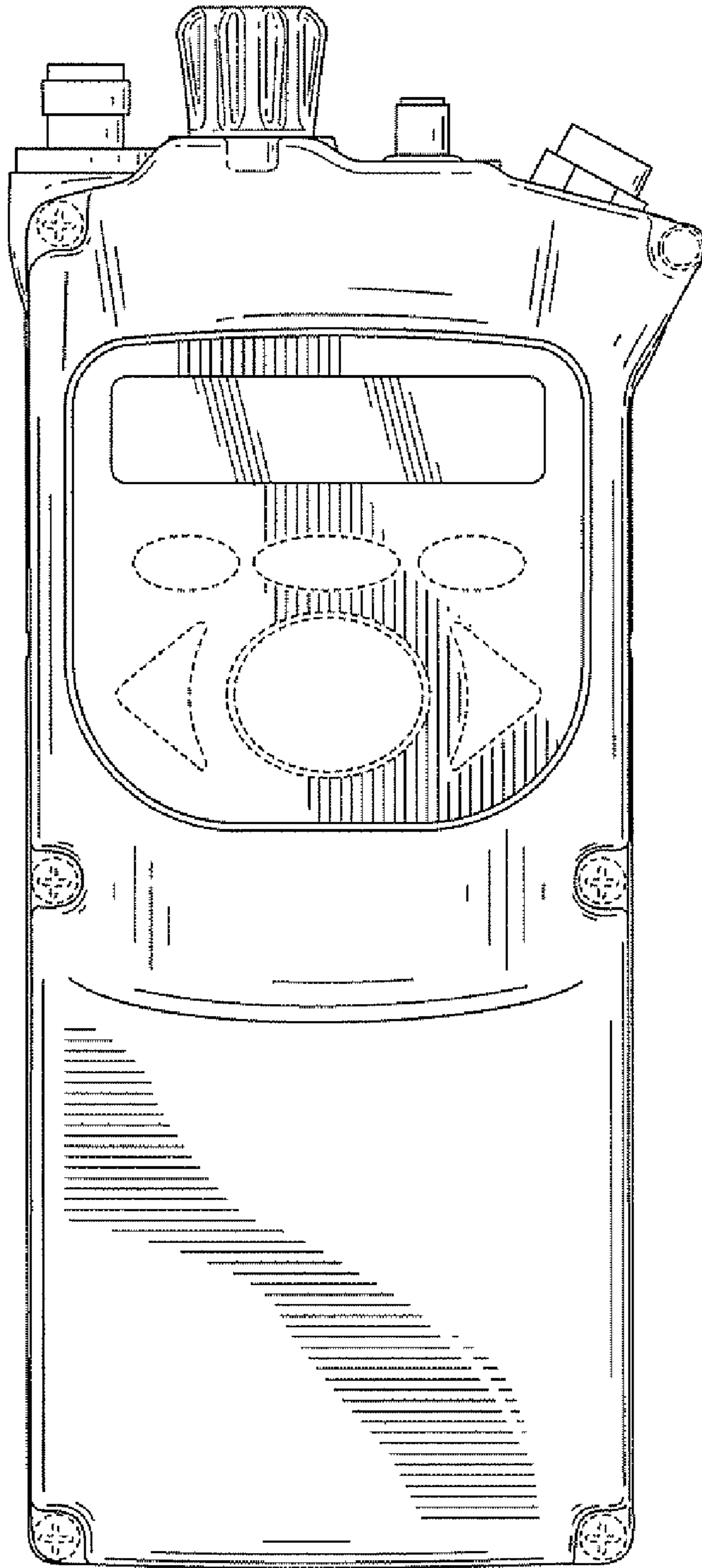


FIG. 2

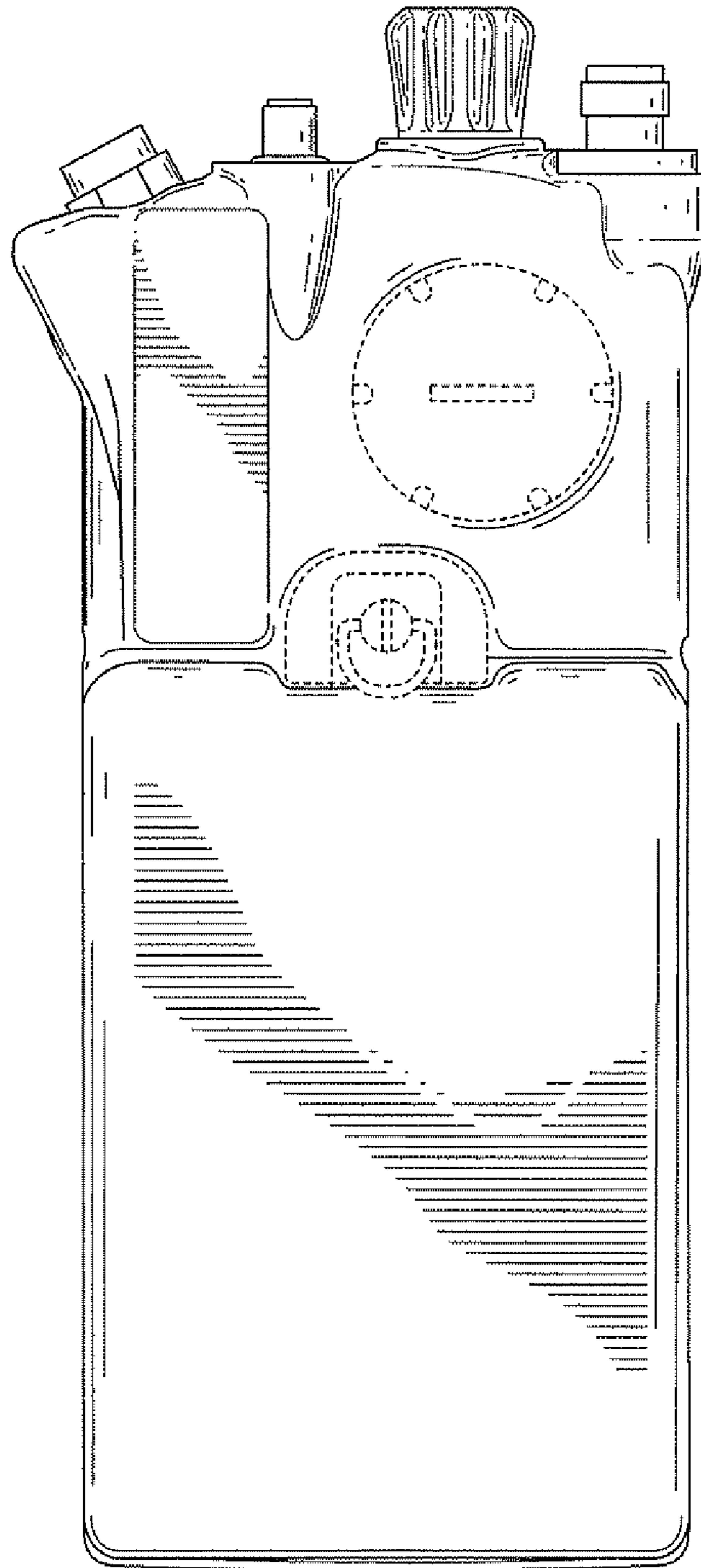


FIG. 3

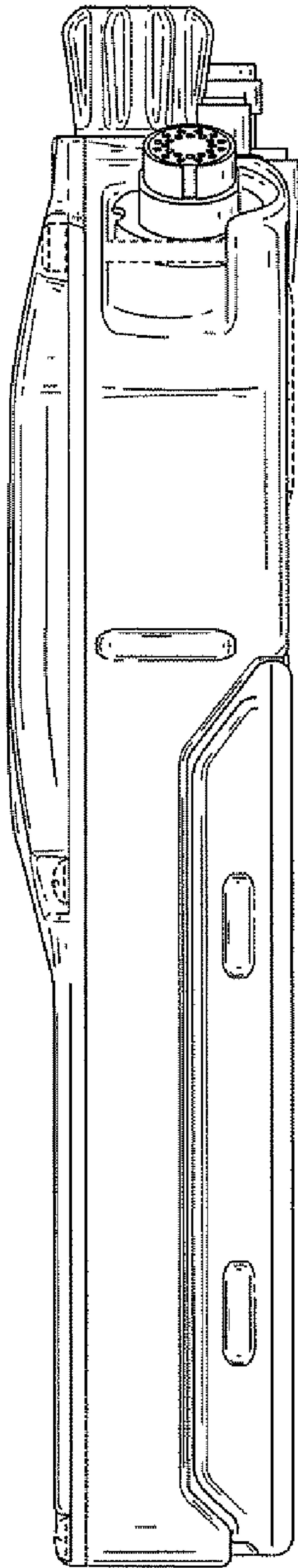


FIG. 4

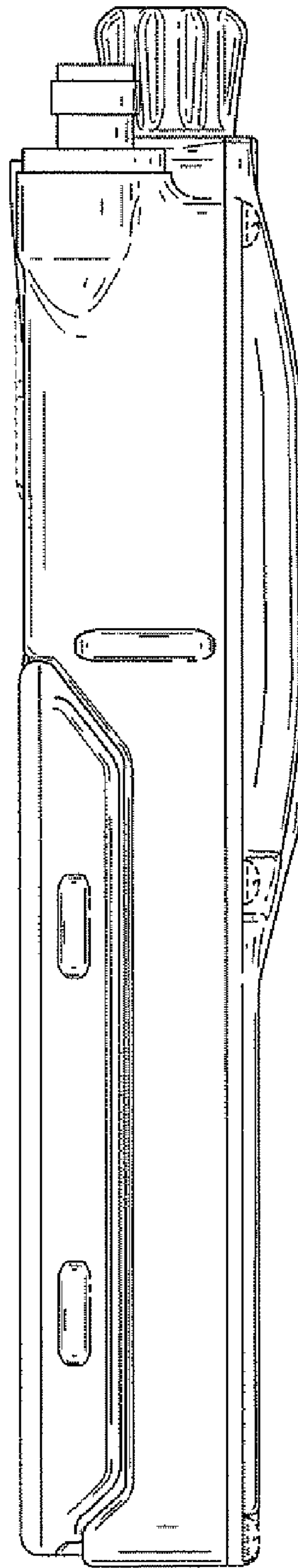
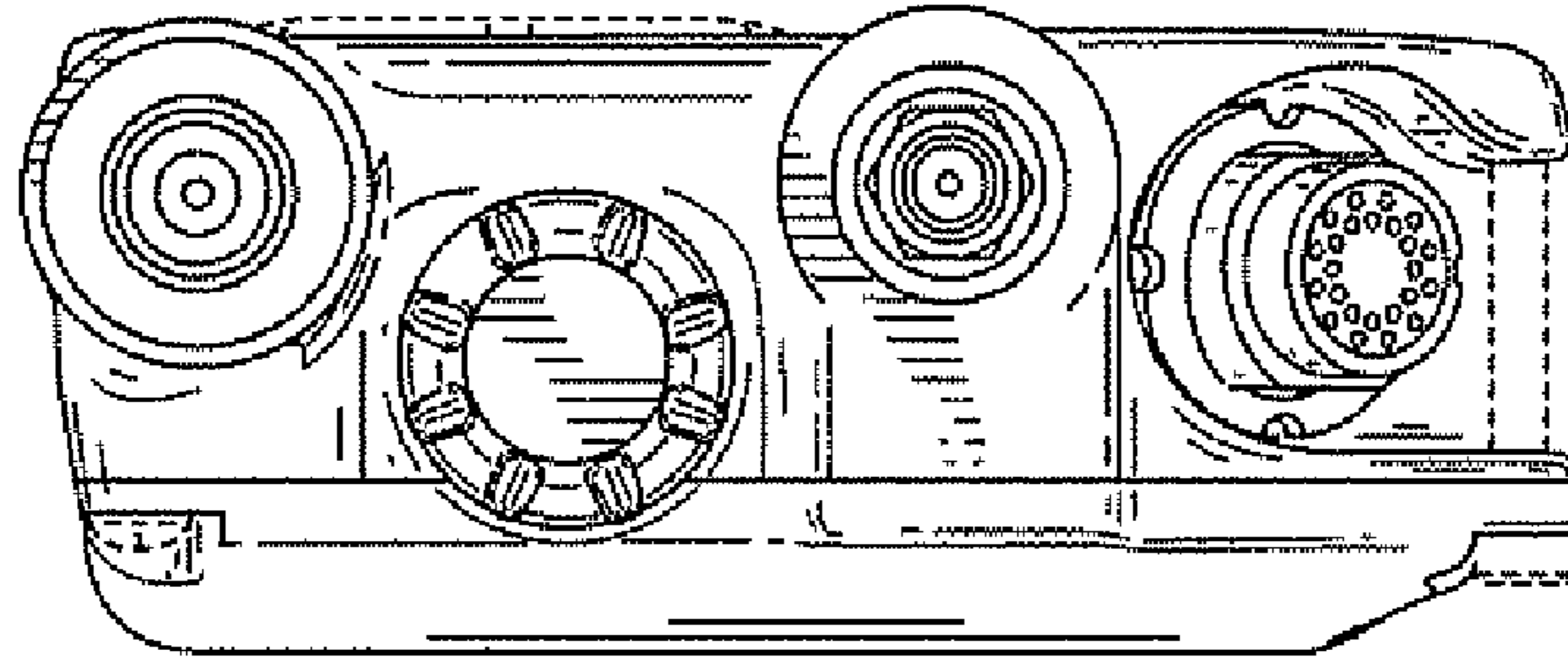
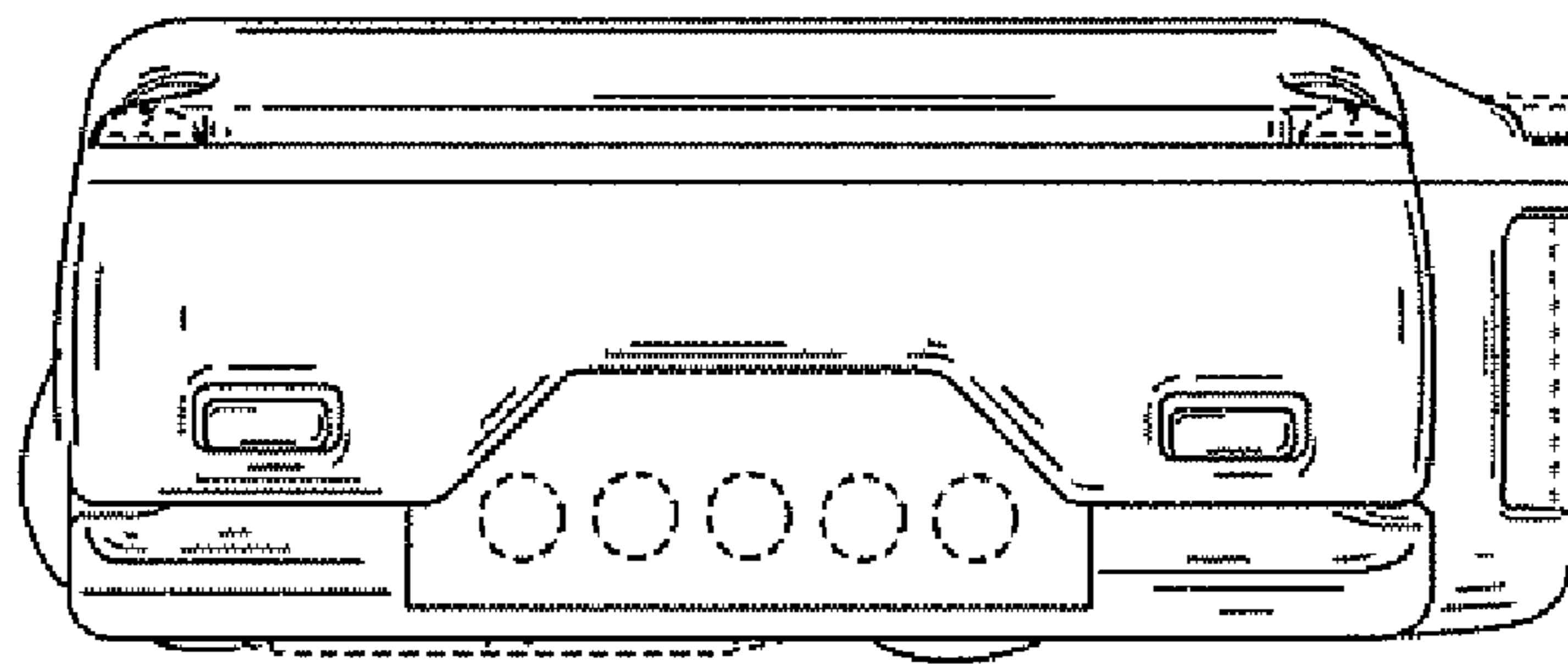


FIG. 5



**FIG. 6**



**FIG. 7**