



US00D595678S

(12) **United States Design Patent**
Dunn

(10) **Patent No.:** **US D595,678 S**
(45) **Date of Patent:** **** Jul. 7, 2009**

(54) **GAS STATION TELEVISION**

(75) Inventor: **William Dunn**, Alpharetta, OH (US)

(73) Assignee: **Manufacturing Resources International, Inc.**, Alpharetta, GA (US)

(**) Term: **14 Years**

(21) Appl. No.: **29/322,897**

(22) Filed: **Aug. 14, 2008**

(51) **LOC (9) Cl.** **14-03**

(52) **U.S. Cl.** **D14/129; D14/126**

(58) **Field of Classification Search** D14/125-134,
D14/239, 371, 136, 374-377, 440, 450, 448,
D14/336, 342; 312/7.2; 348/836, 838, 180,
348/184, 325, 739; 341/12; 248/917-924,
248/465; 345/104, 133, 156, 168, 87, 173;
720/605, 669, 600, 655; 369/99, 197; 455/344,
455/347; D21/329, 515, 577, 622, 333, 433,
D21/448, 452, 450, 331; D6/477, 479; 273/148 B;
446/484, 175, 356; D10/15, 26
See application file for complete search history.

(56) **References Cited**

U.S. PATENT DOCUMENTS

D373,120 S * 8/1996 Andre et al. D14/380
D415,736 S * 10/1999 Witte D14/307
D467,561 S * 12/2002 Kosciolk D14/451

D530,686 S * 10/2006 Reza D14/126
D544,848 S * 6/2007 Marz et al. D14/126
2008/0104631 A1 * 5/2008 Krock et al. 725/32
2008/0255901 A1 * 10/2008 Carroll et al. 705/7
2008/0267790 A1 * 10/2008 Gaudet et al. 417/205

* cited by examiner

Primary Examiner—Raphael Barkai

(74) *Attorney, Agent, or Firm*—Standley Law Group LLP

(57) **CLAIM**

The ornamental design for a gas station television, as shown and described above.

DESCRIPTION

FIG. 1 is a top perspective view of the gas station television when installed within a gasoline pump;

FIG. 2 is a top perspective view of the design shown in FIG. 1;

FIG. 3 is a front plan view of the design shown in FIG. 1;

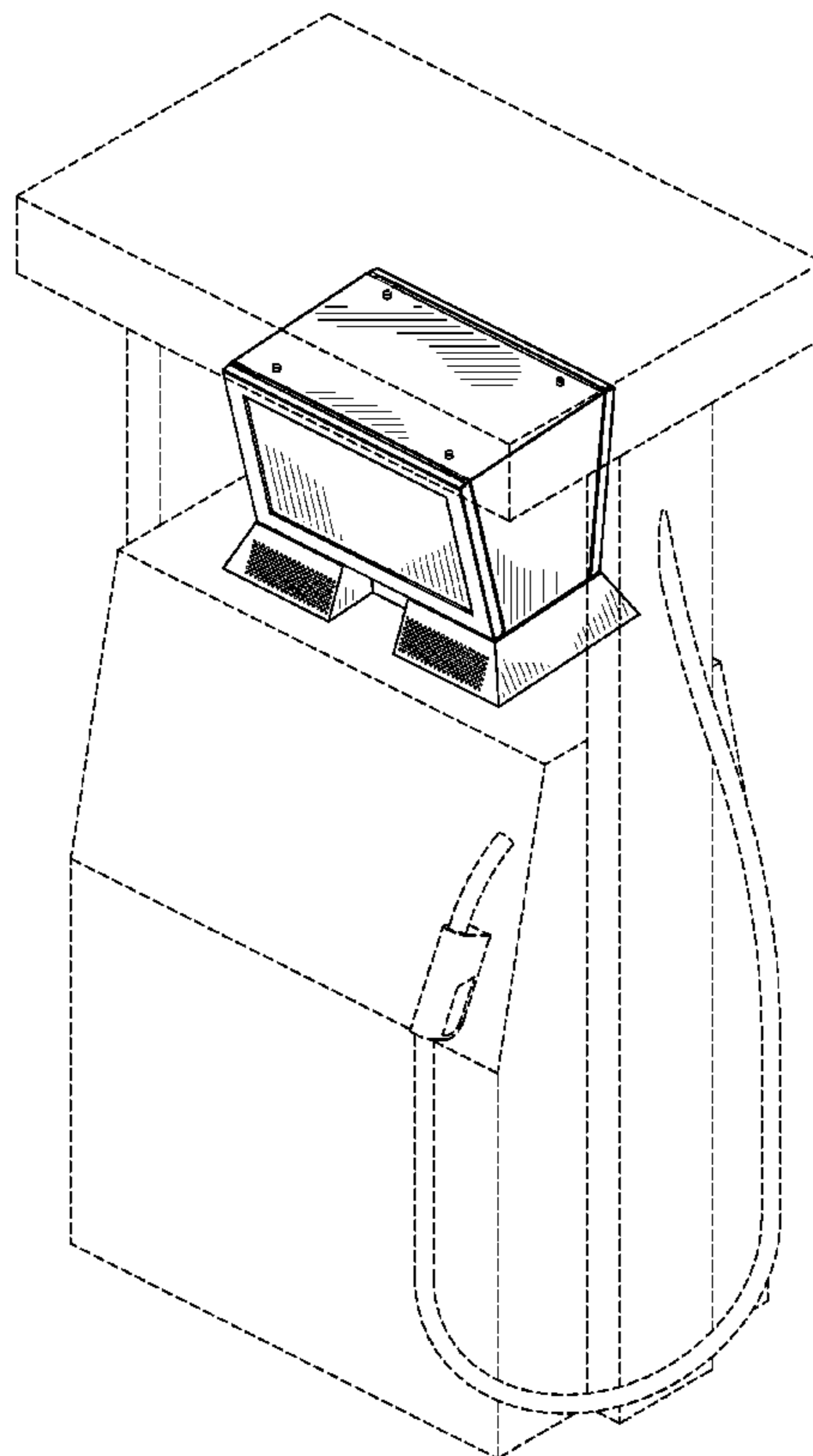
FIG. 4 is a left elevation view of the design shown in FIG. 1; the right elevation view being a mirror image thereof;

FIG. 5 is a top plan view of the design shown in FIG. 1; and,

FIG. 6 is a bottom plan view of the design shown in FIG. 1.

The broken lines shown in the drawings are for illustrative purposes only and form no part of the claimed design.

1 Claim, 3 Drawing Sheets



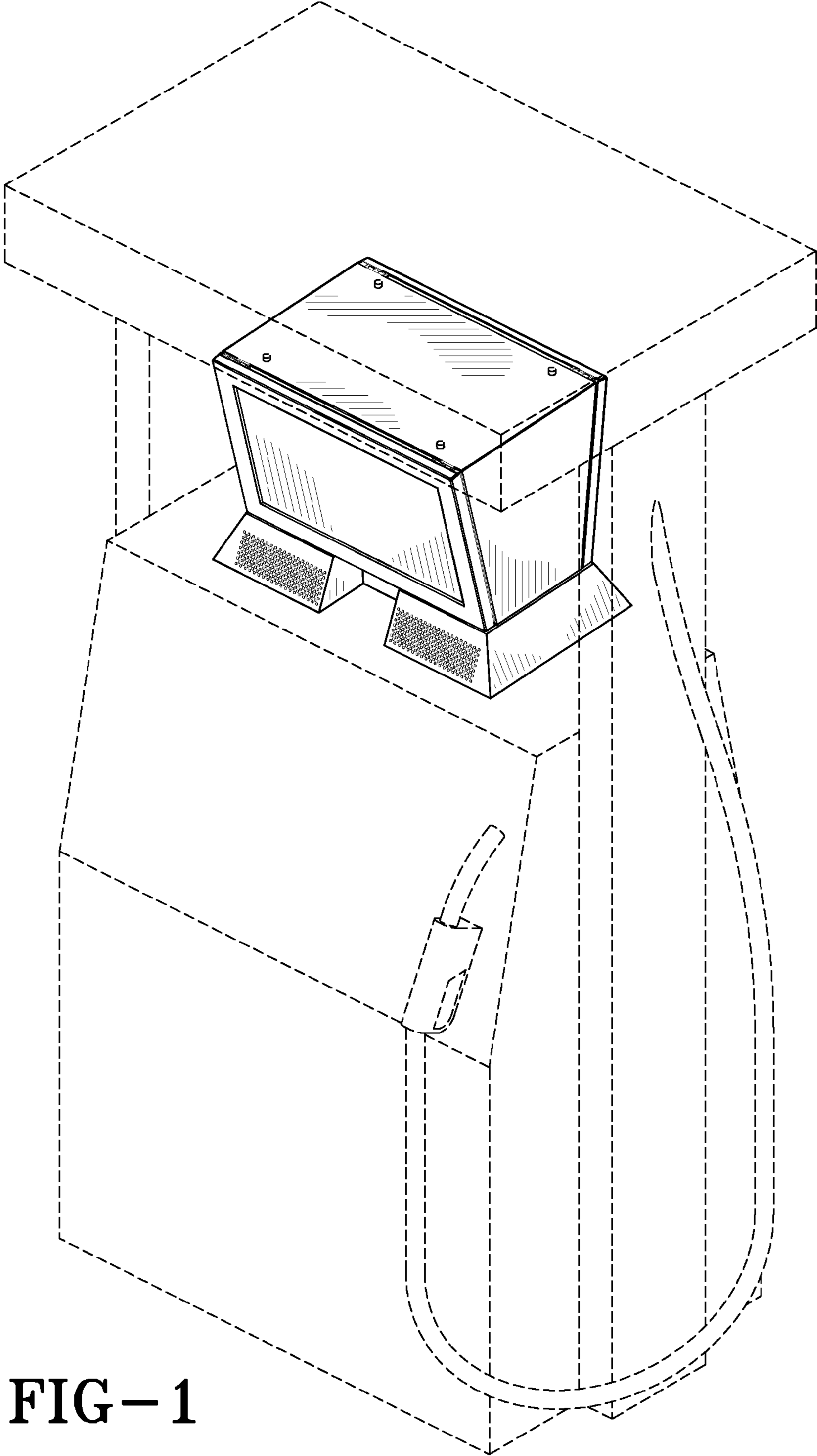


FIG-1

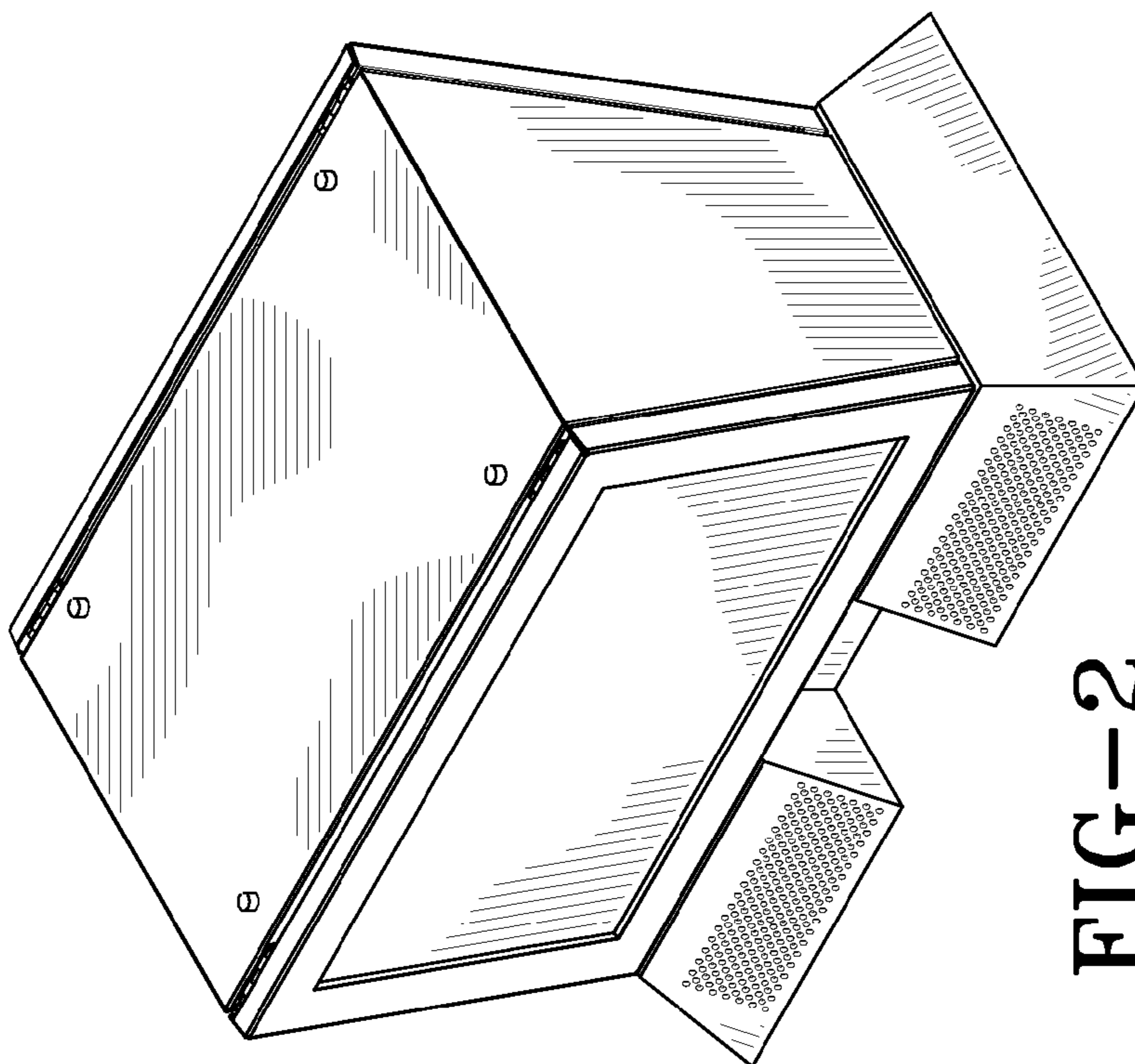


FIG-2

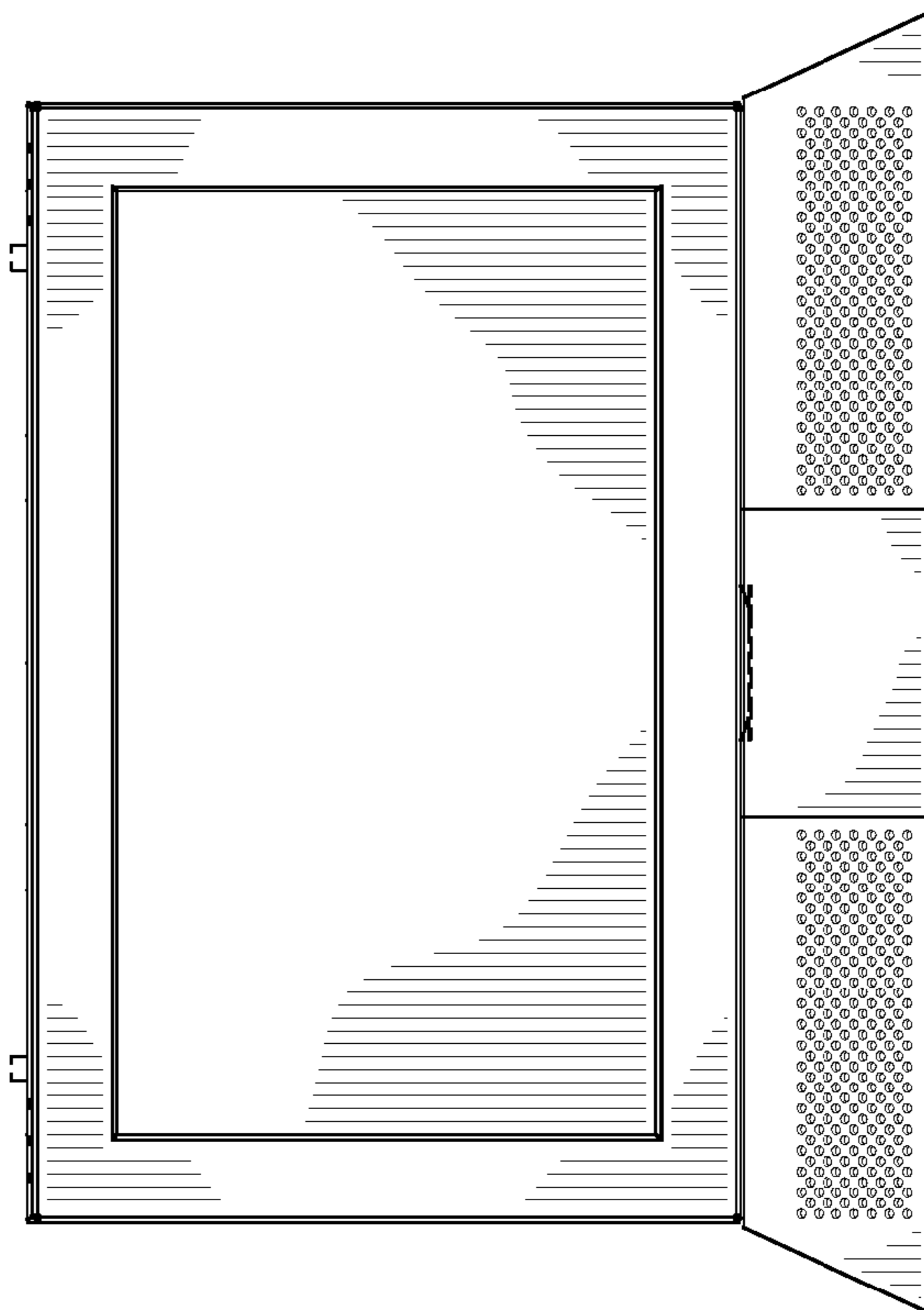


FIG-3

FIG-5

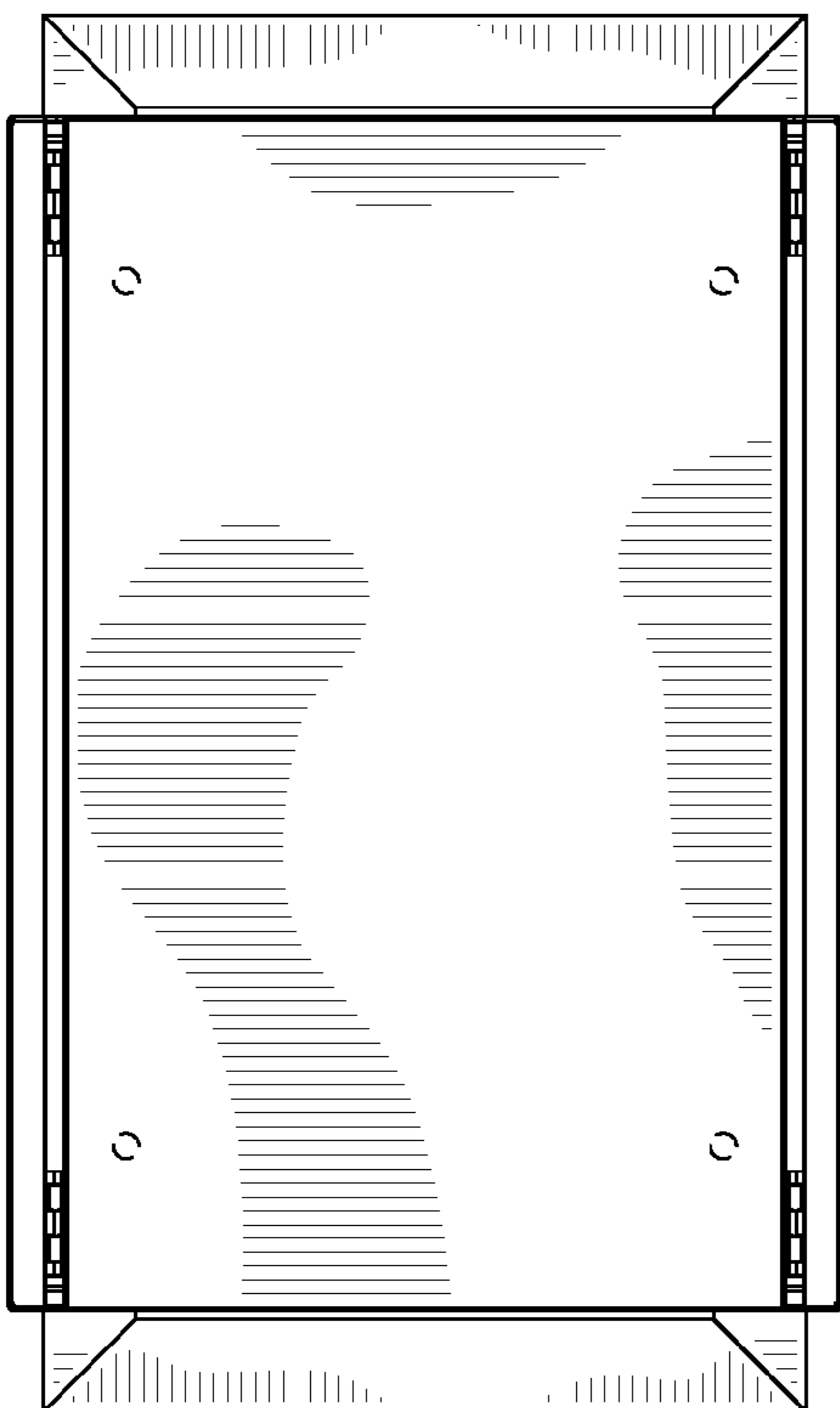


FIG-6

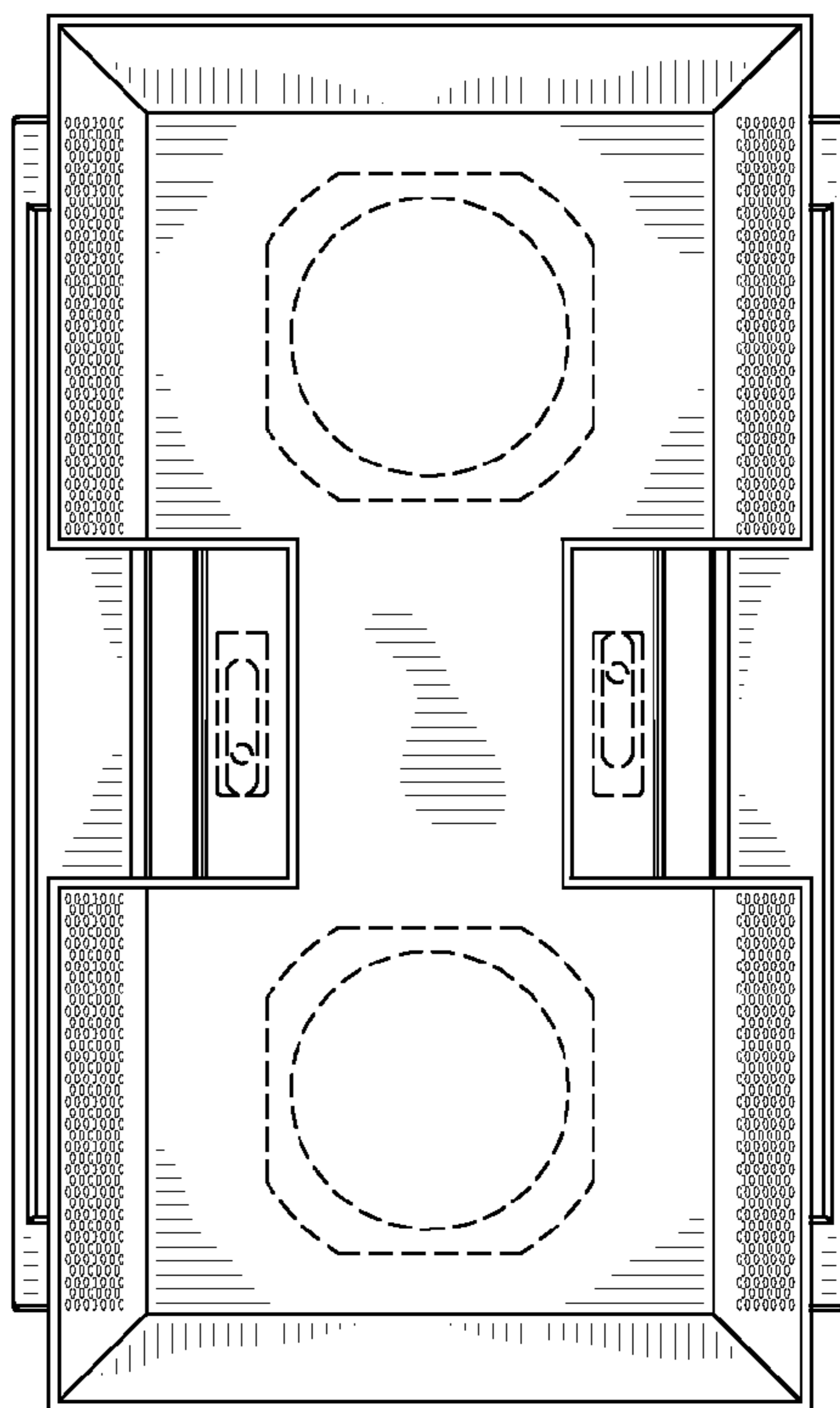


FIG-4

