



US00D595677S

(12) **United States Design Patent**
Lee et al.

(10) **Patent No.:** **US D595,677 S**
(45) **Date of Patent:** **** Jul. 7, 2009**

(54) **LIGHT EMITTING DIODE**

(75) Inventors: **Jin-Won Lee**, Yongin-si (KR);
Kyoung-Il Park, Osan-si (KR);
Sun-Hong Kim, Incheon (KR)

(73) Assignee: **Alti-Electronics Co., Ltd** (KR)

(**) Term: **14 Years**

(21) Appl. No.: **29/323,338**

(22) Filed: **Aug. 22, 2008**

(30) **Foreign Application Priority Data**

Feb. 22, 2008 (KR) 30-2008-0007667

(51) **LOC (9) Cl.** **13-03**

(52) **U.S. Cl.** **D13/180**

(58) **Field of Classification Search** D13/180;
D26/2; 257/79, 80, 81, 88, 89, 95, 98, 99,
257/100; 313/483, 498, 500; 362/555, 800
See application file for complete search history.

(56) **References Cited**

U.S. PATENT DOCUMENTS

D495,668 S * 9/2004 Kim et al. D13/180

D531,141 S * 10/2006 Tzeng D13/180
D572,211 S * 7/2008 Kim et al. D13/180
2006/0193121 A1 * 8/2006 Kamoshita 362/84
2007/0001187 A1 * 1/2007 Kim 257/98

* cited by examiner

Primary Examiner—Selina Sikder

(74) *Attorney, Agent, or Firm*—The Farrell Law Firm, LLP

(57) **CLAIM**

The ornamental design for a light emitting diode, as shown and described.

DESCRIPTION

FIG. 1 is a perspective view of a light emitting diode showing our new design;

FIG. 2 is a front elevational view thereof;

FIG. 3 is a rear elevational view thereof;

FIG. 4 is a left side elevational view thereof;

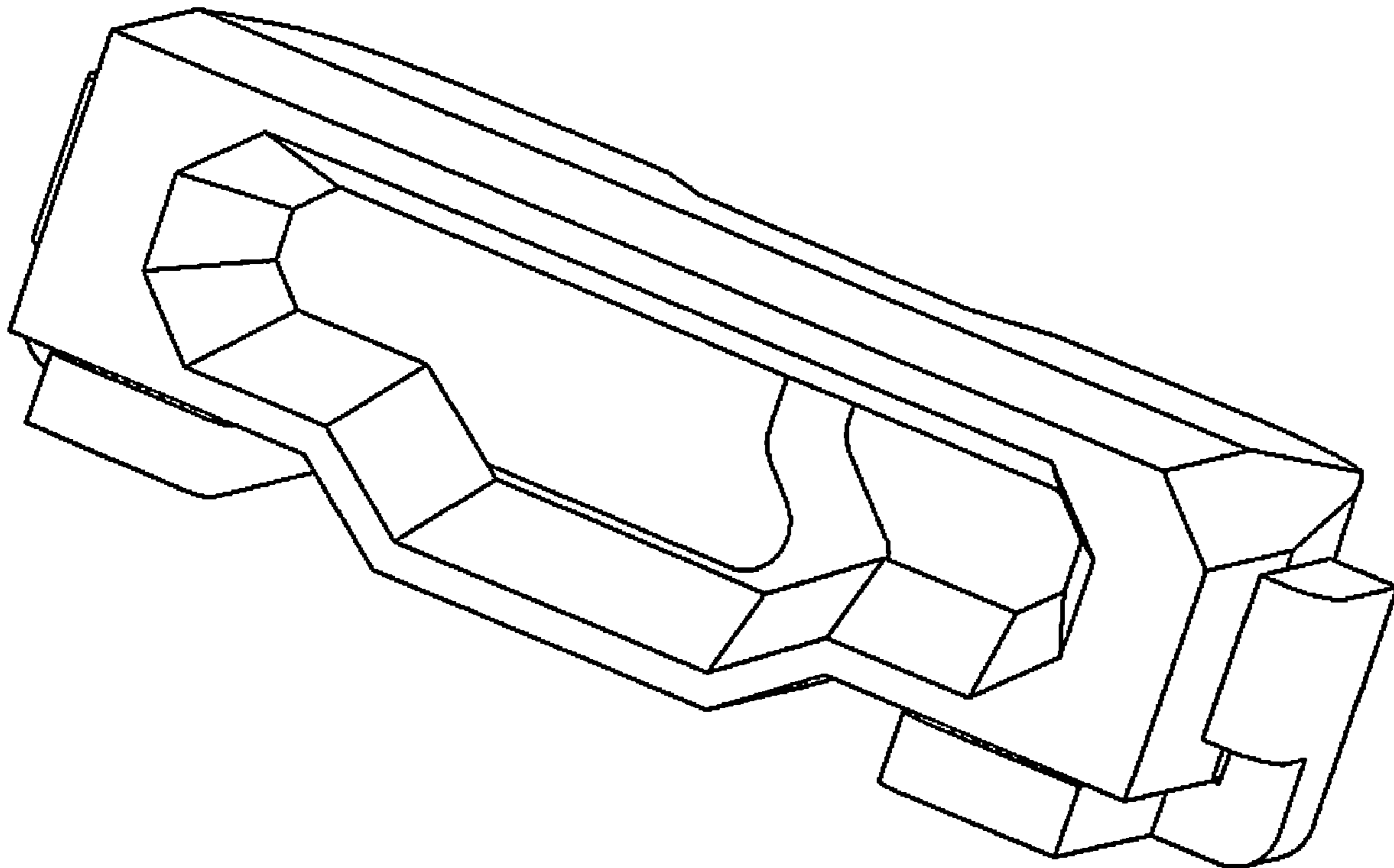
FIG. 5 is a right side elevational view thereof;

FIG. 6 is a top plan view thereof;

FIG. 7 is a bottom plan view thereof; and,

FIG. 8 is a rear bottom perspective view thereof.

1 Claim, 8 Drawing Sheets



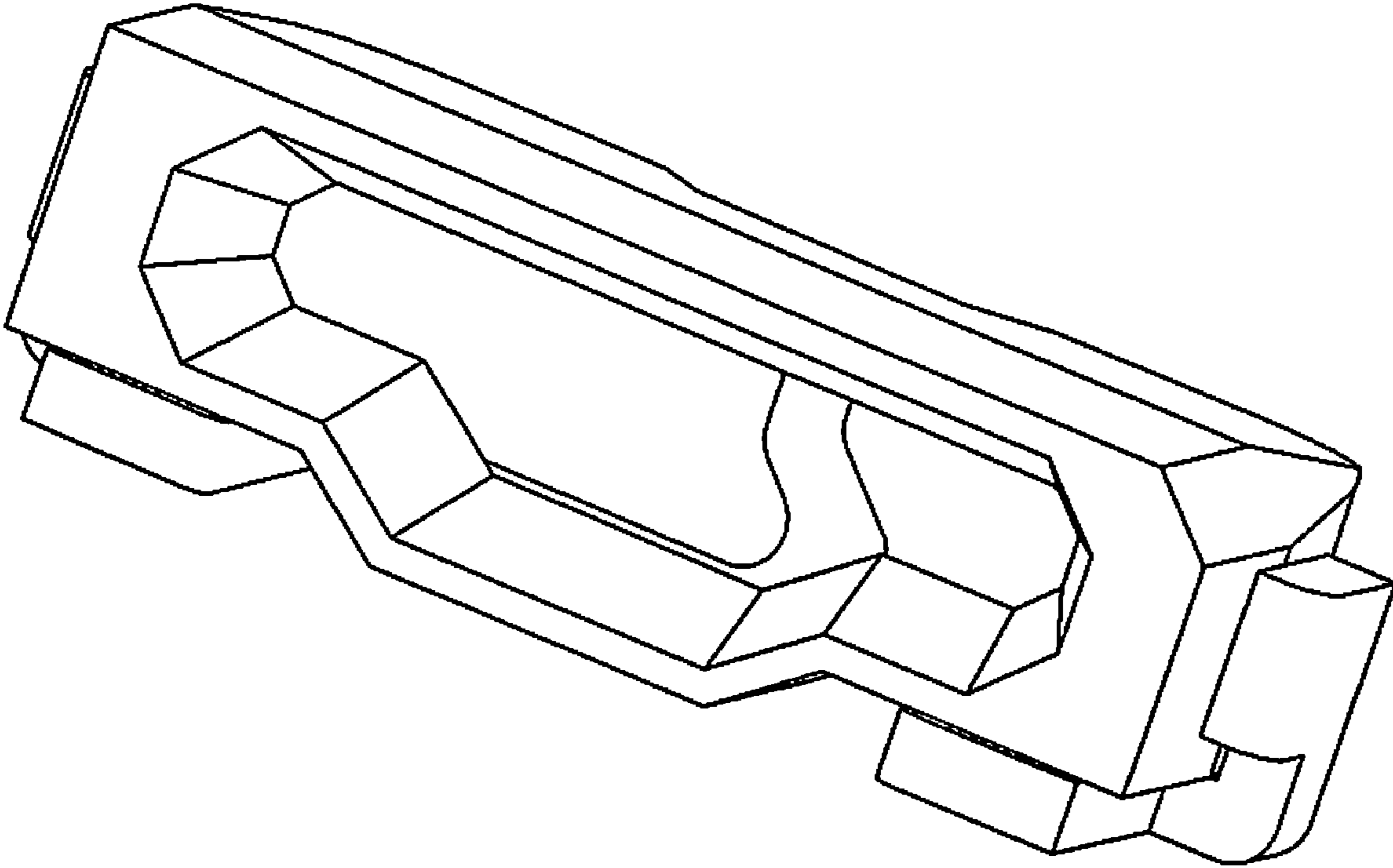


FIG. 1

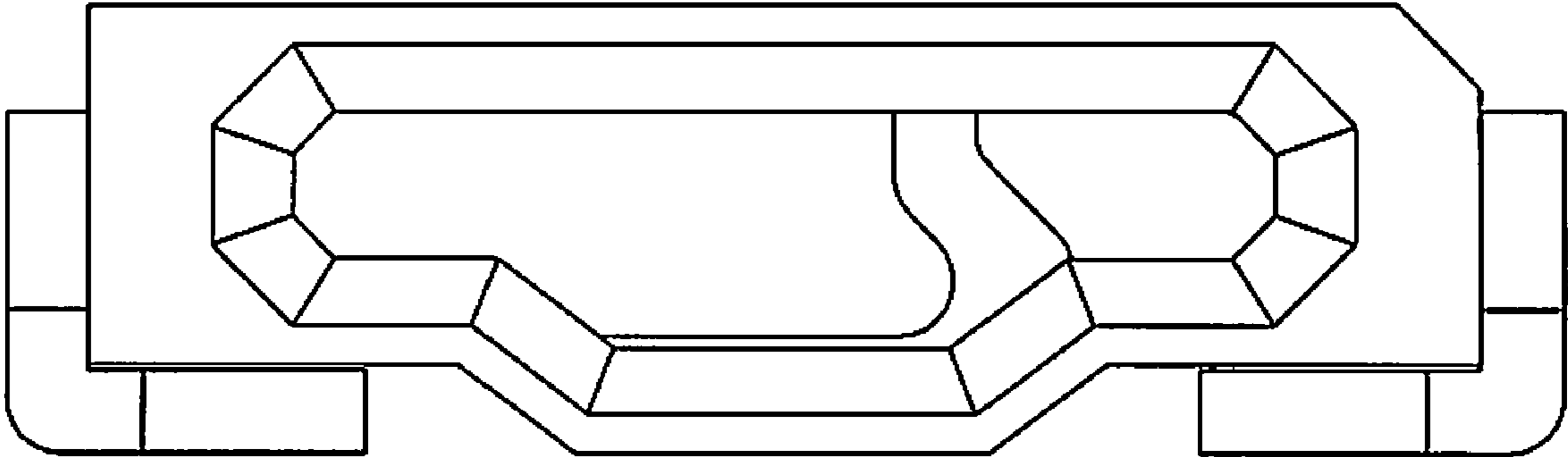


FIG. 2

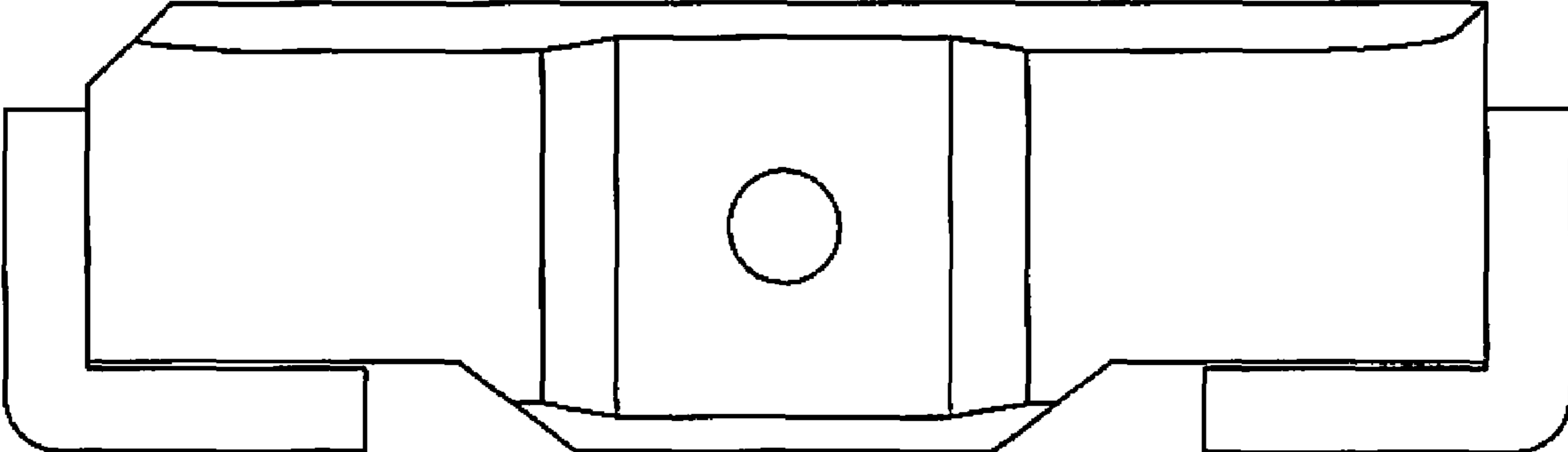


FIG. 3

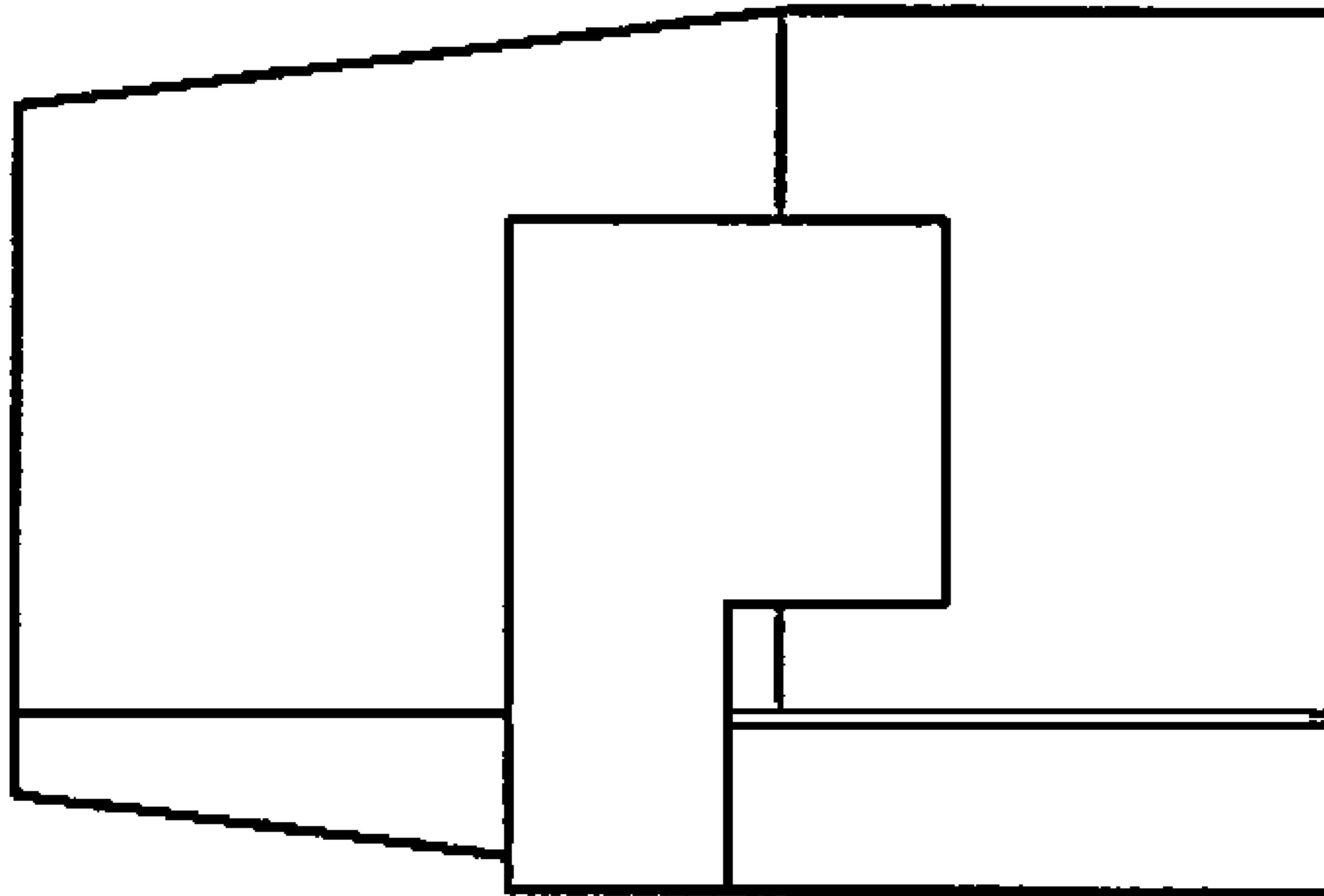


FIG. 4

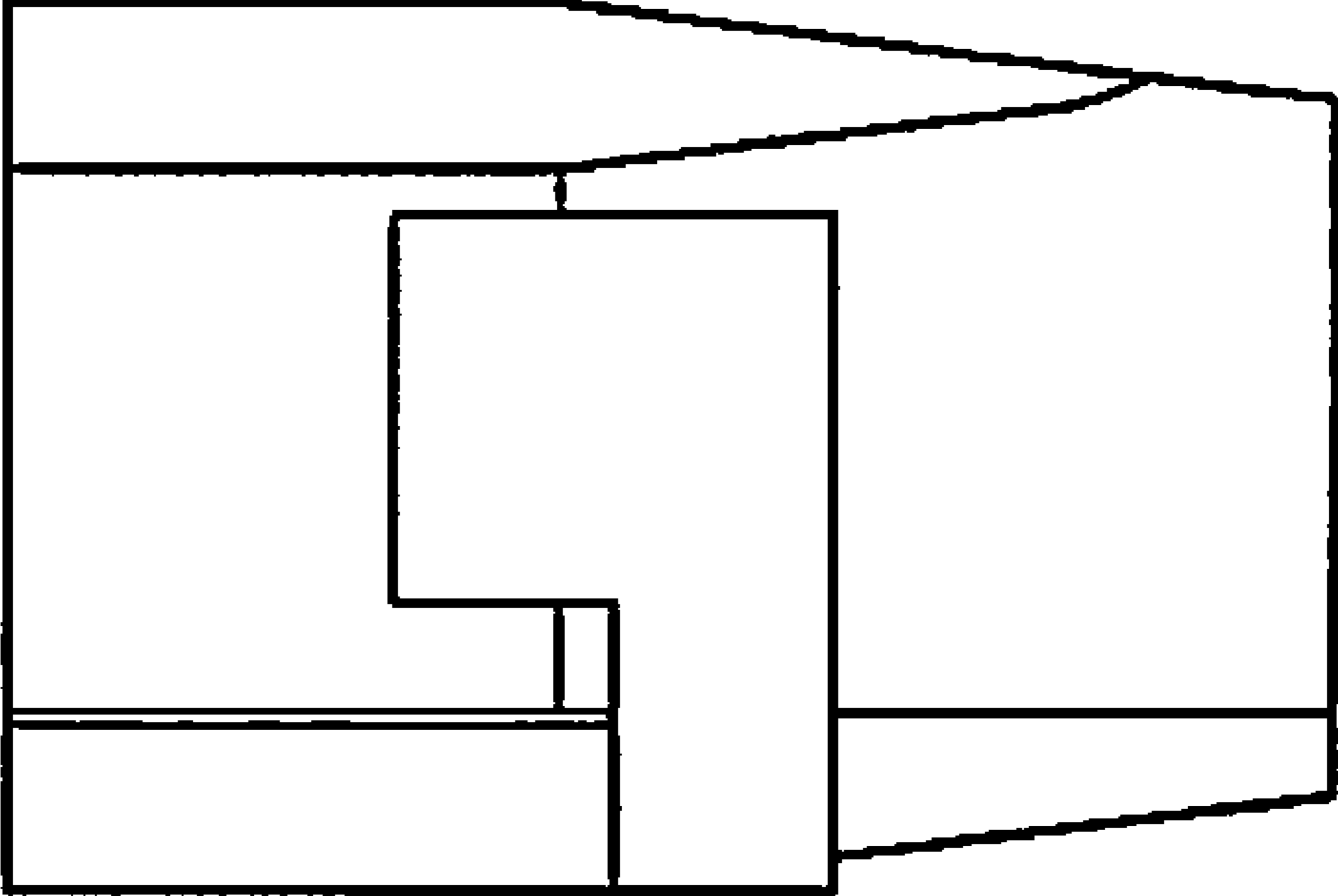


FIG. 5

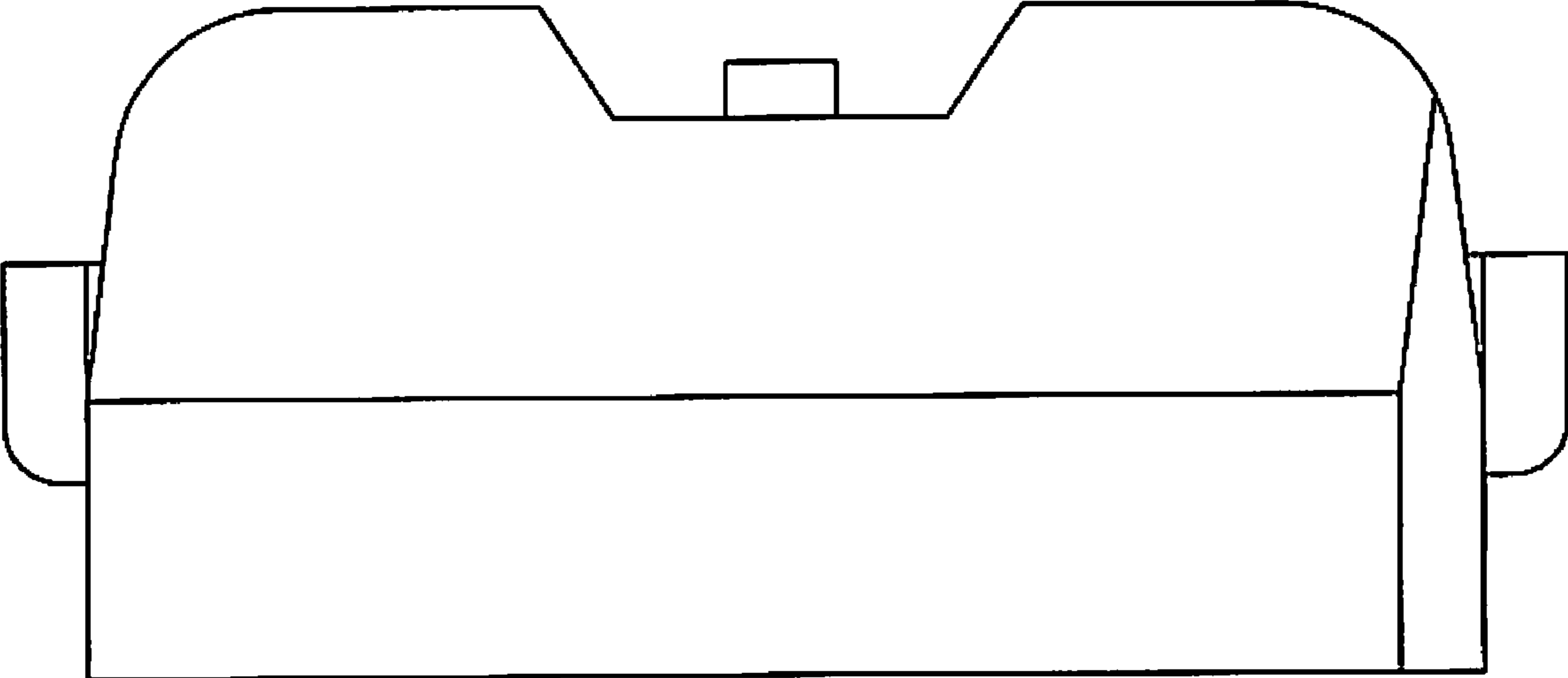


FIG. 6

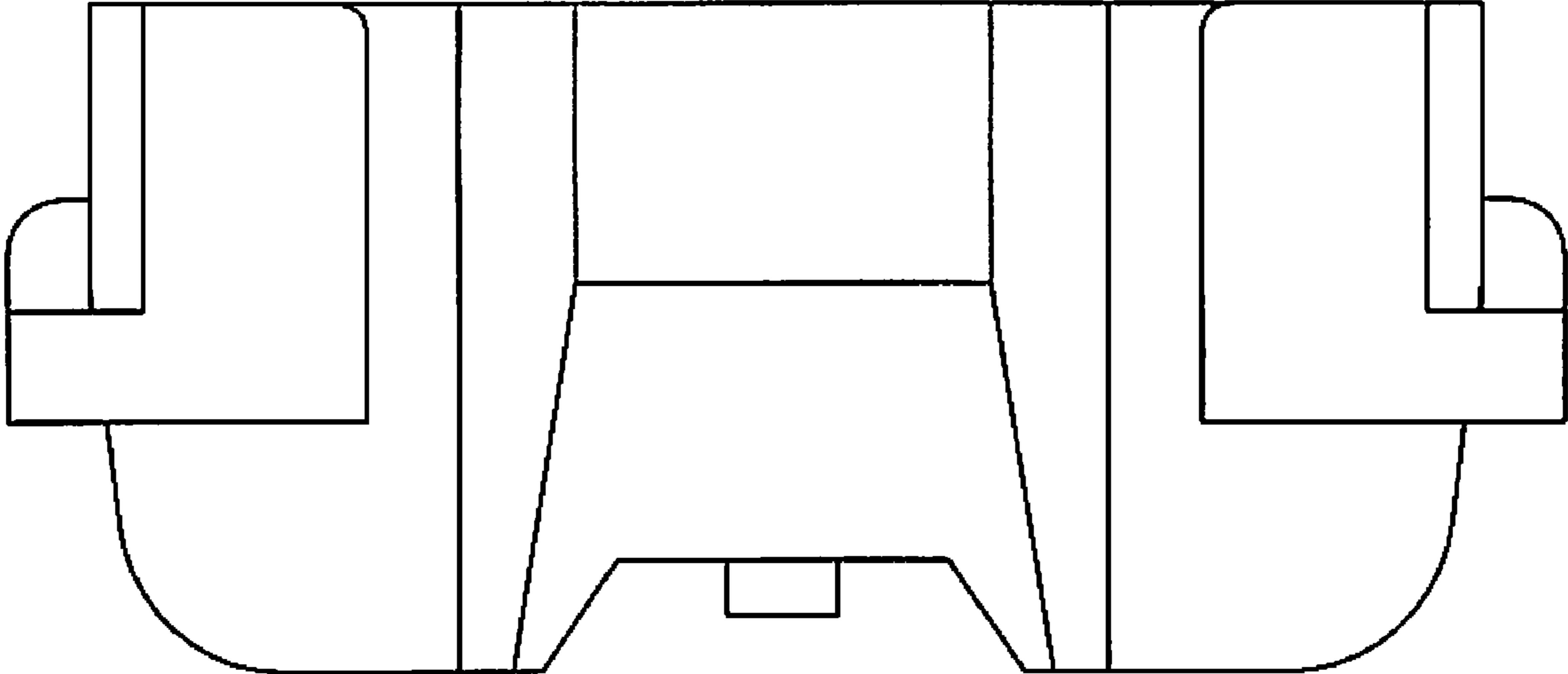


FIG. 7

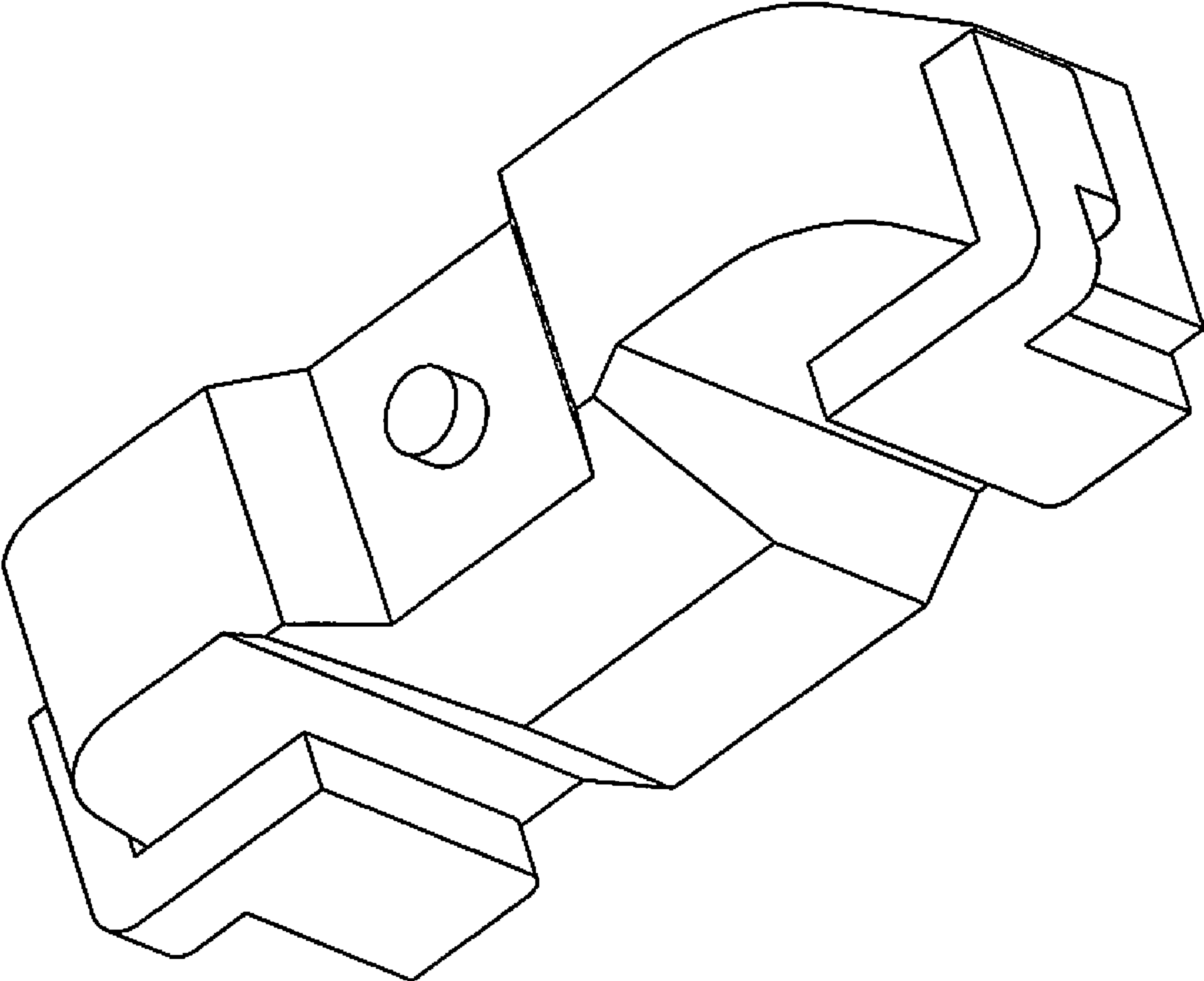


FIG. 8