

US00D595676S

(12) **United States Design Patent**  
**Song**

(10) **Patent No.:** **US D595,676 S**

(45) **Date of Patent:** **\*\* Jul. 7, 2009**

(54) **LIGHT-EMITTING DIODE**

(75) Inventor: **Wen-Joe Song**, Taipei County (TW)

(73) Assignee: **Kingbright Electronic Co., Ltd.**,  
Jhonghe (TW)

(\*) Notice: This patent is subject to a terminal disclaimer.

(\*\*) Term: **14 Years**

(21) Appl. No.: **29/322,310**

(22) Filed: **Aug. 1, 2008**

(51) **LOC (9) Cl.** ..... **13-03**

(52) **U.S. Cl.** ..... **D13/180**

(58) **Field of Classification Search** ..... D13/180;  
D26/2; 257/79, 80, 81, 88, 89, 95, 98, 99,  
257/100; 313/483, 498, 500; 362/555, 800  
See application file for complete search history.

(56) **References Cited**

**U.S. PATENT DOCUMENTS**

D489,691 S \* 5/2004 Ishida ..... D13/180  
D504,404 S \* 4/2005 Ishida ..... D13/180

D527,352 S \* 8/2006 Wu et al. .... D13/180  
D529,877 S \* 10/2006 Inoue ..... D13/180  
D578,491 S \* 10/2008 Lee et al. .... D13/180  
2007/0187709 A1 \* 8/2007 Yamamoto ..... 257/99

\* cited by examiner

*Primary Examiner*—Selina Sikder

(74) *Attorney, Agent, or Firm*—Young & Thompson

(57) **CLAIM**

The ornamental design for a “light-emitting diode,” as shown and described.

**DESCRIPTION**

FIG. 1 is a perspective view of an “light-emitting diode” showing my design;

FIG. 2 is a front view thereof;

FIG. 3 is a back view thereof;

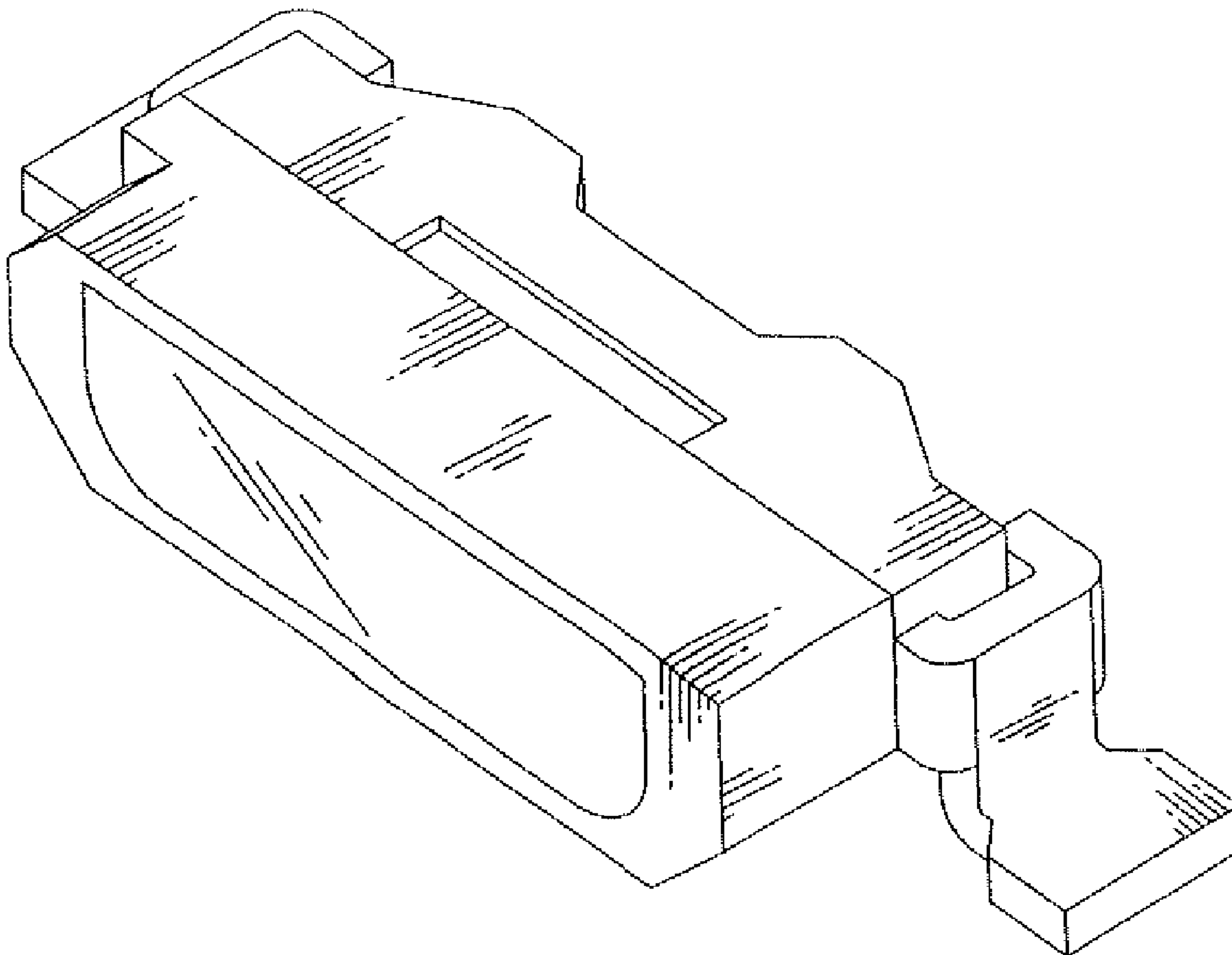
FIG. 4 is a left side view thereof;

FIG. 5 is a right side view thereof;

FIG. 6 is a top plan view thereof; and,

FIG. 7 is a bottom view thereof.

**1 Claim, 6 Drawing Sheets**



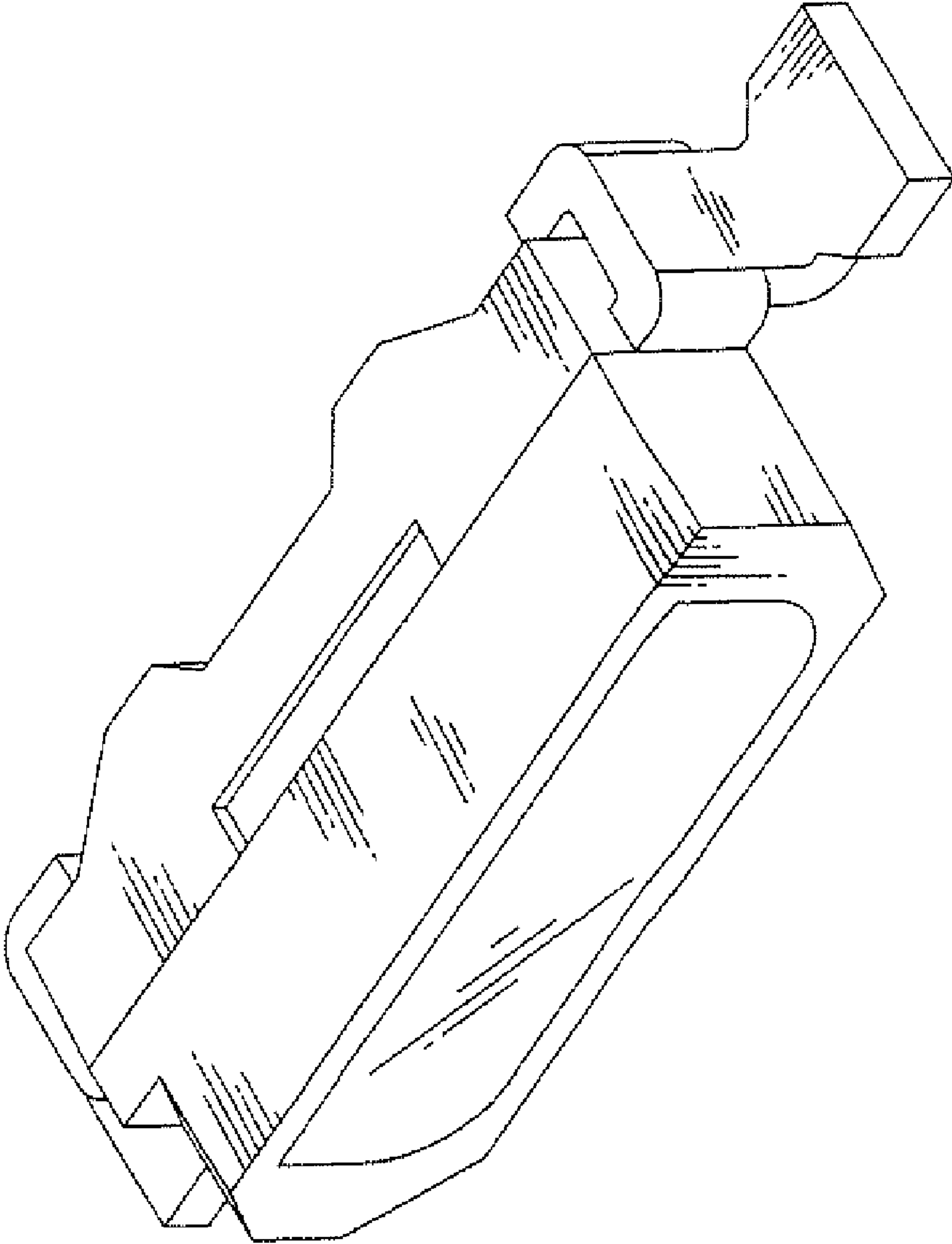


FIG. 1

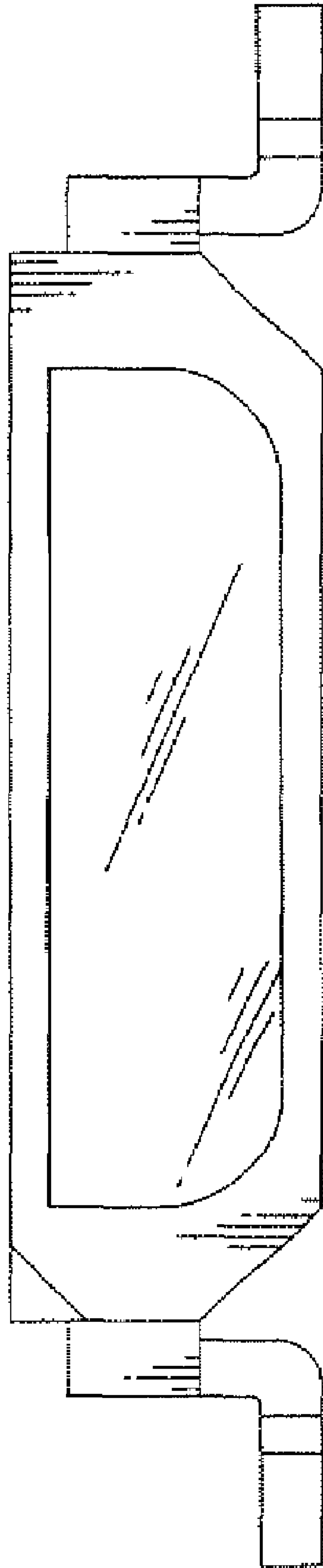


FIG. 2

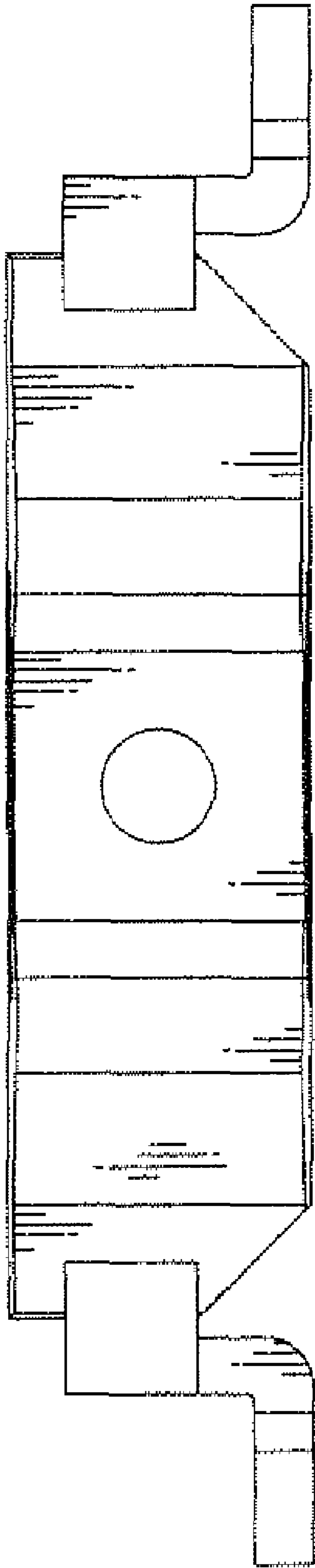


FIG. 3

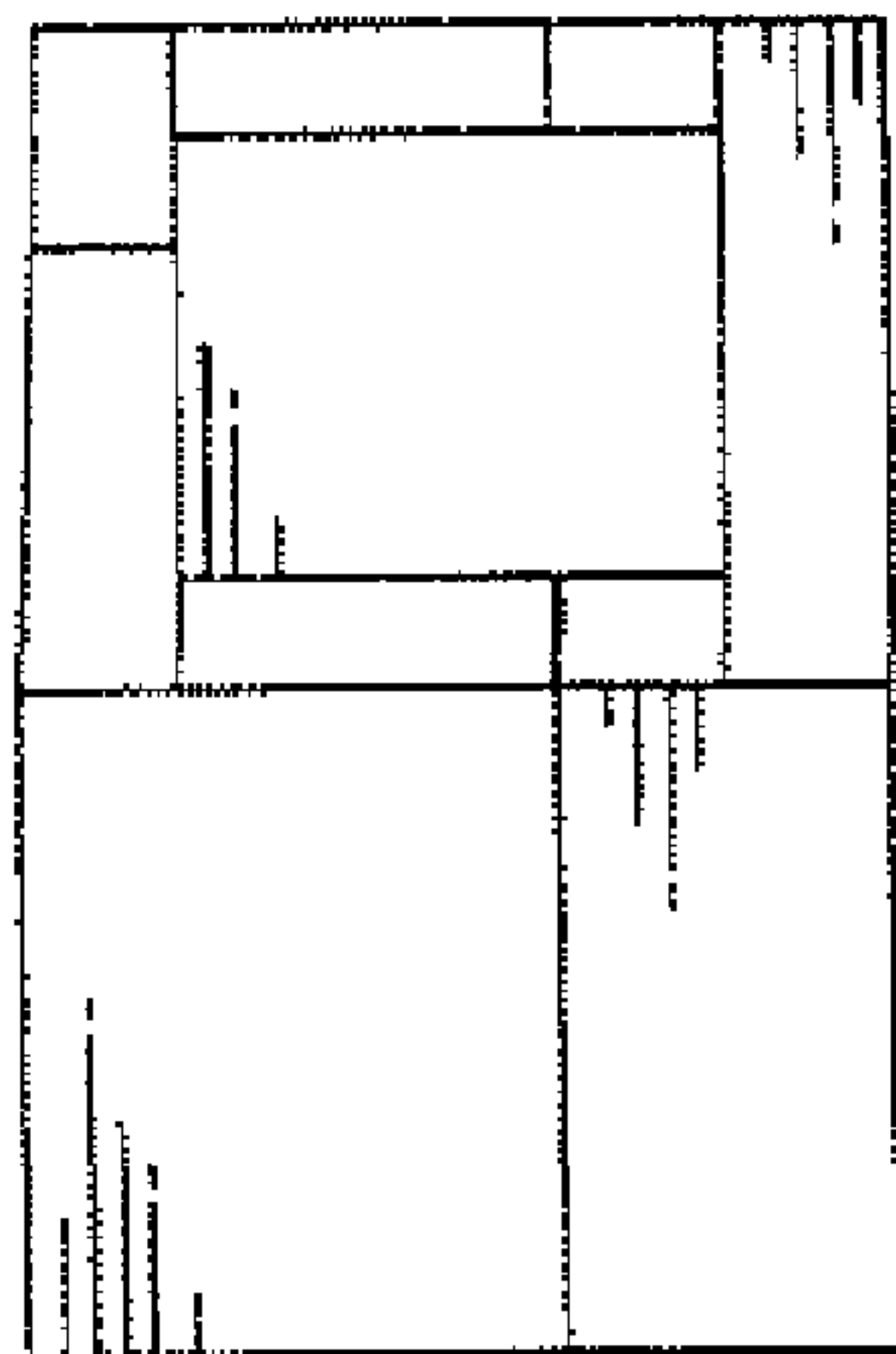


FIG. 5

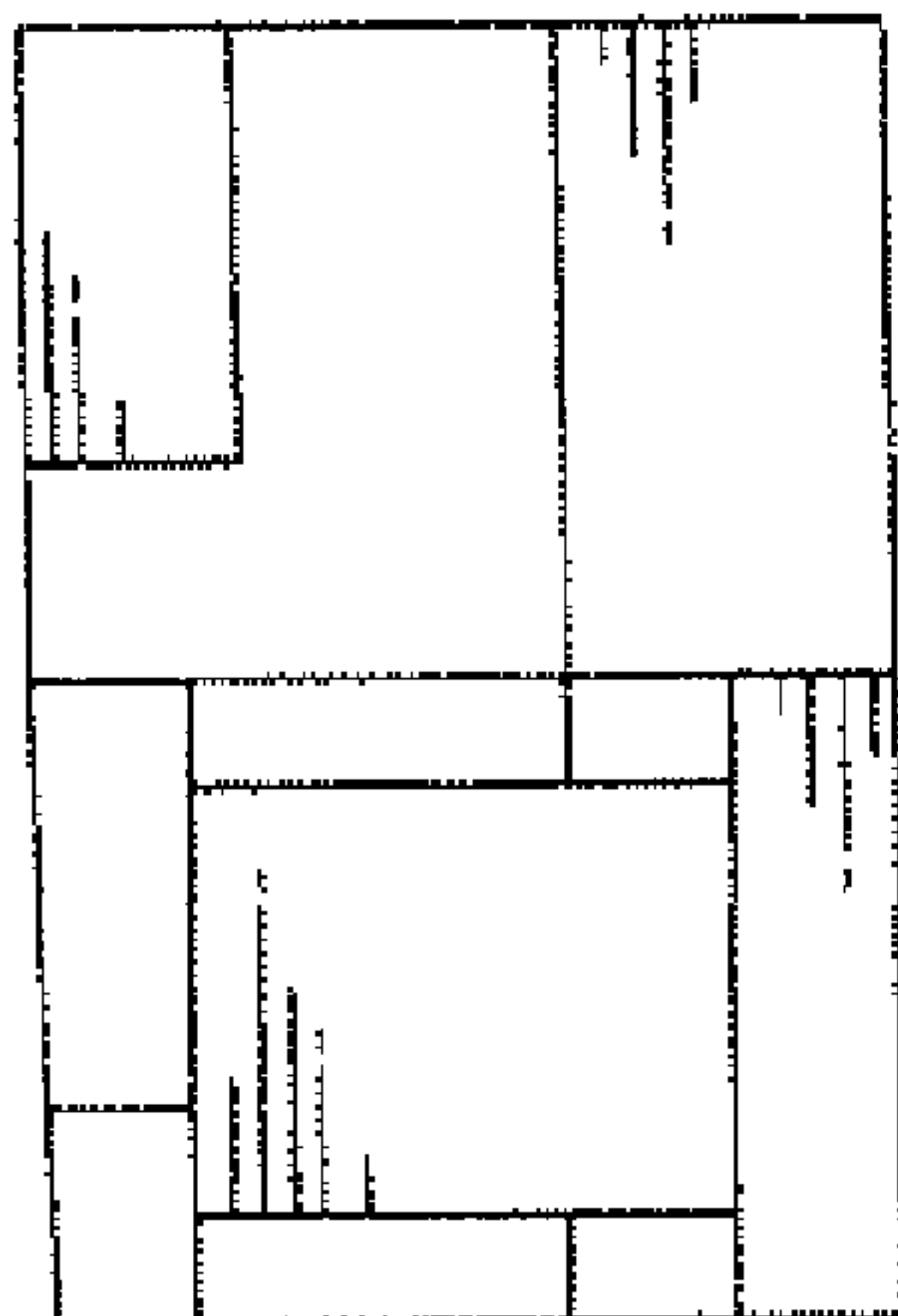


FIG. 4

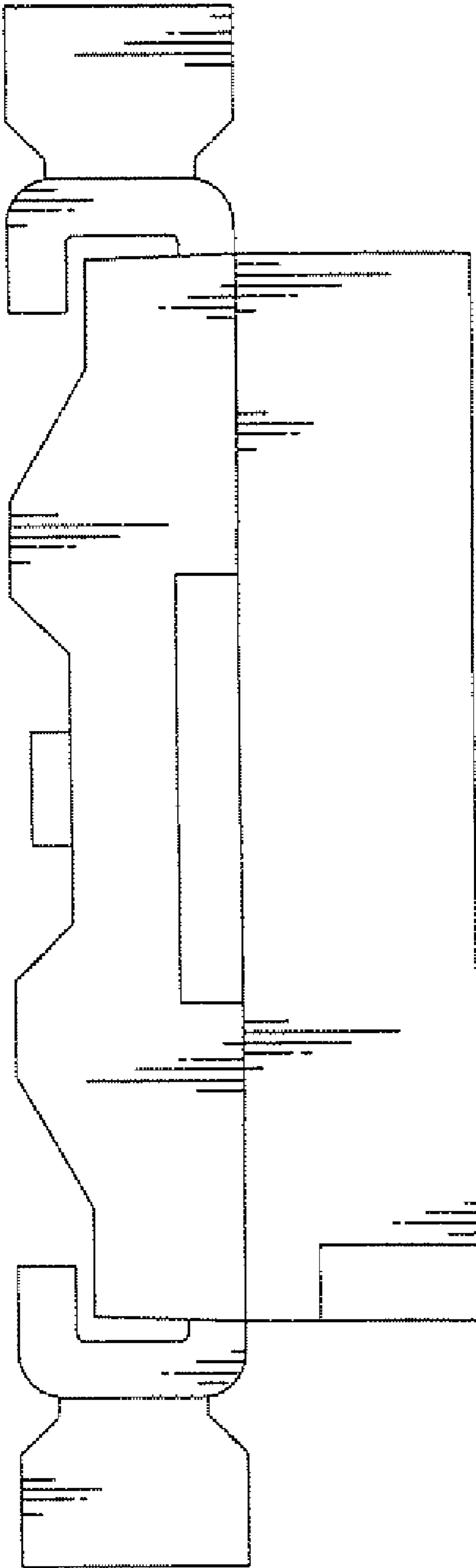


FIG. 6

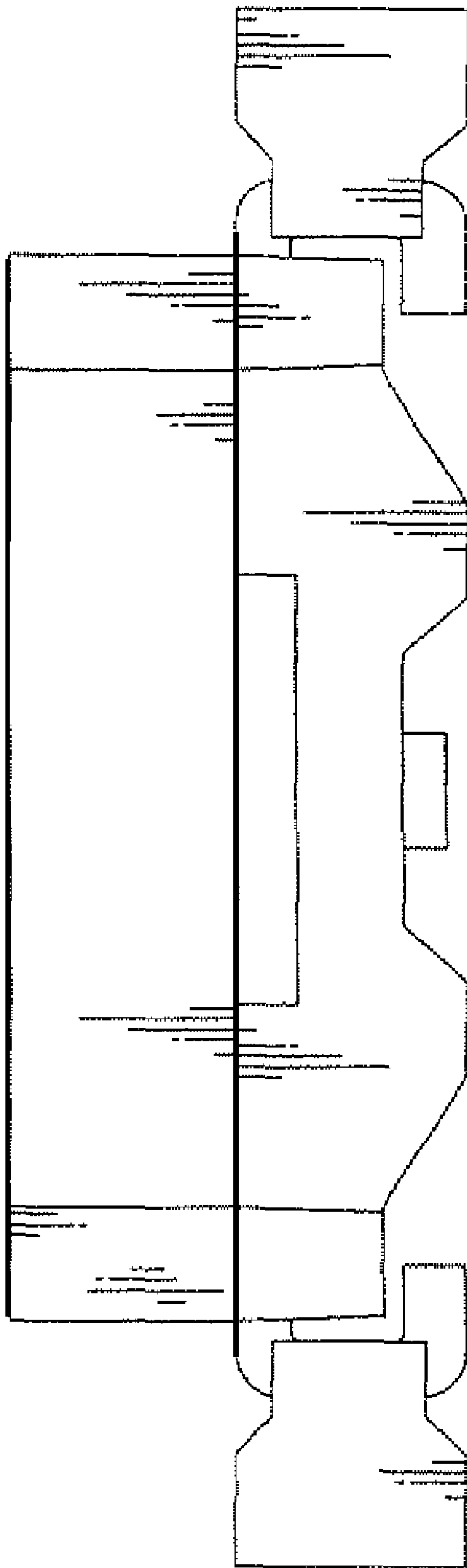


FIG. 7