



US00D595669S

(12) **United States Design Patent**
Endo et al.

(10) **Patent No.:** **US D595,669 S**
(45) **Date of Patent:** **** Jul. 7, 2009**

(54) **REMOTE CONTROL UNIT USED IN VEHICLE**

(75) Inventors: **Hideki Endo**, Yokohama (JP); **Takayuki Horie**, Kome (JP)

(73) Assignee: **Alpine Electronics, Inc.**, Tokyo (JP)

(**) Term: **14 Years**

(21) Appl. No.: **29/307,313**

(22) Filed: **Apr. 10, 2008**

(30) **Foreign Application Priority Data**

Oct. 11, 2007 (JP) 2007-027753

(51) **LOC (9) Cl.** **14-03**

(52) **U.S. Cl.** **D13/168**

(58) **Field of Classification Search** D13/168;
D10/104, 106; D14/218, 247; 340/825.22,
340/825.24, 825.25, 825.31, 825.36, 825.69,
340/825.72; 341/76; 455/352

See application file for complete search history.

(56) **References Cited**

U.S. PATENT DOCUMENTS

D366,262 S * 1/1996 Inaba D14/218
D450,337 S * 11/2001 Hamamura D16/237
D484,493 S * 12/2003 Oross et al. D14/218
D496,031 S * 9/2004 Ma et al. D14/240

D526,967 S * 8/2006 Hoehn et al. D13/168
D546,782 S * 7/2007 Poulet et al. D13/168
D564,977 S * 3/2008 Youn et al. D13/168
D571,350 S 6/2008 Iwamoto et al.

OTHER PUBLICATIONS

U.S. Appl. No. 29/261,433, filed Jun. 21, 2006, Ichikawa et al.

* cited by examiner

Primary Examiner—Selina Sikder

(74) *Attorney, Agent, or Firm*—Brinks Hofer Gilson & Lione

(57) **CLAIM**

We claim the ornamental design for a remote control unit used in vehicle, as shown and described.

DESCRIPTION

FIG. 1 is a perspective view of a remote control unit used in vehicle, showing our new, original and ornamental design;

FIG. 2 is a front elevational view thereof;

FIG. 3 is a rear elevational view thereof wherein the broken lines define a portion of the remote control forms no part of the claimed design;

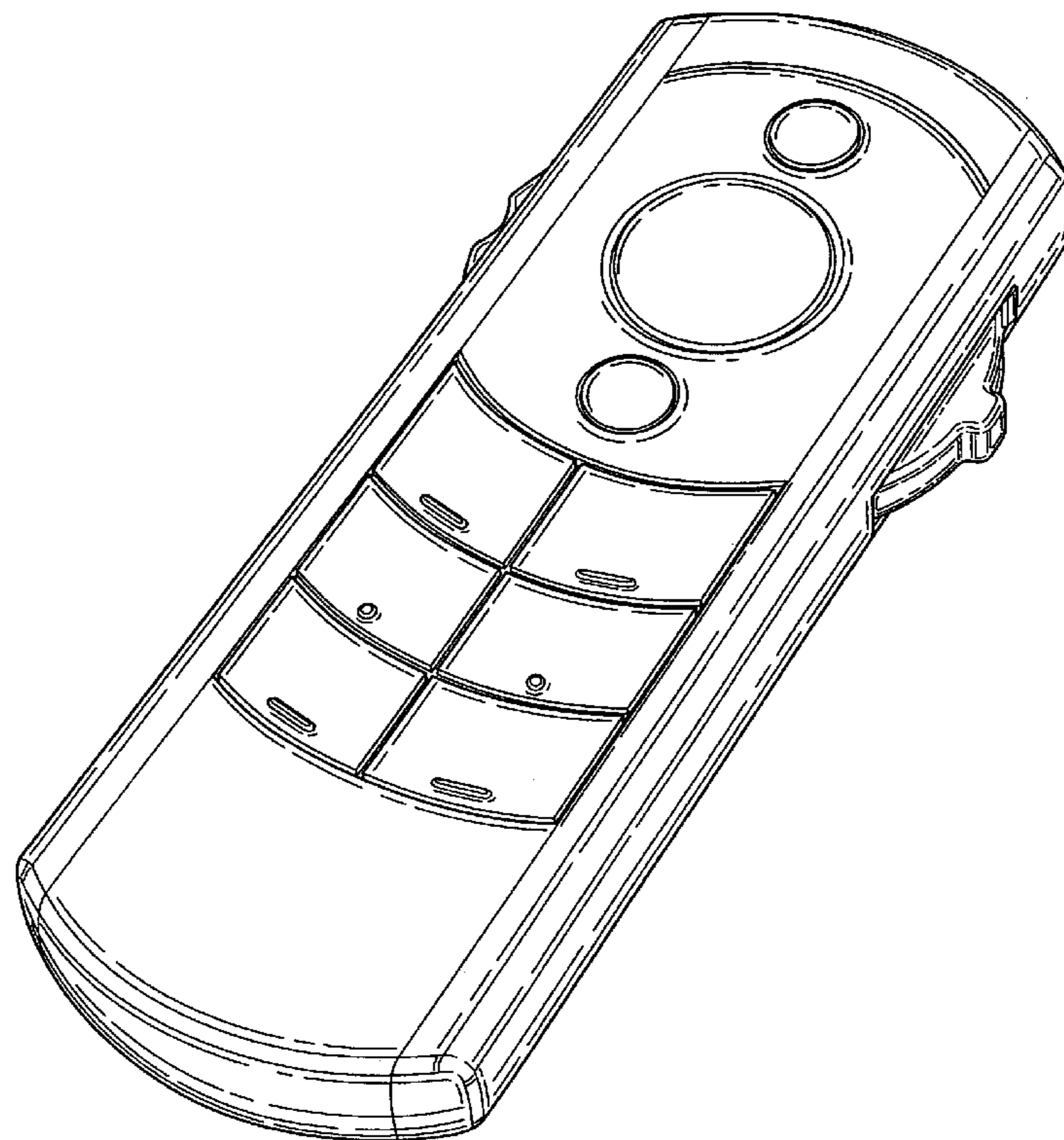
FIG. 4 is a right side elevational view thereof;

FIG. 5 is a left side elevational view thereof;

FIG. 6 is a top plan view thereof; and,

FIG. 7 is a bottom plan view thereof.

1 Claim, 5 Drawing Sheets



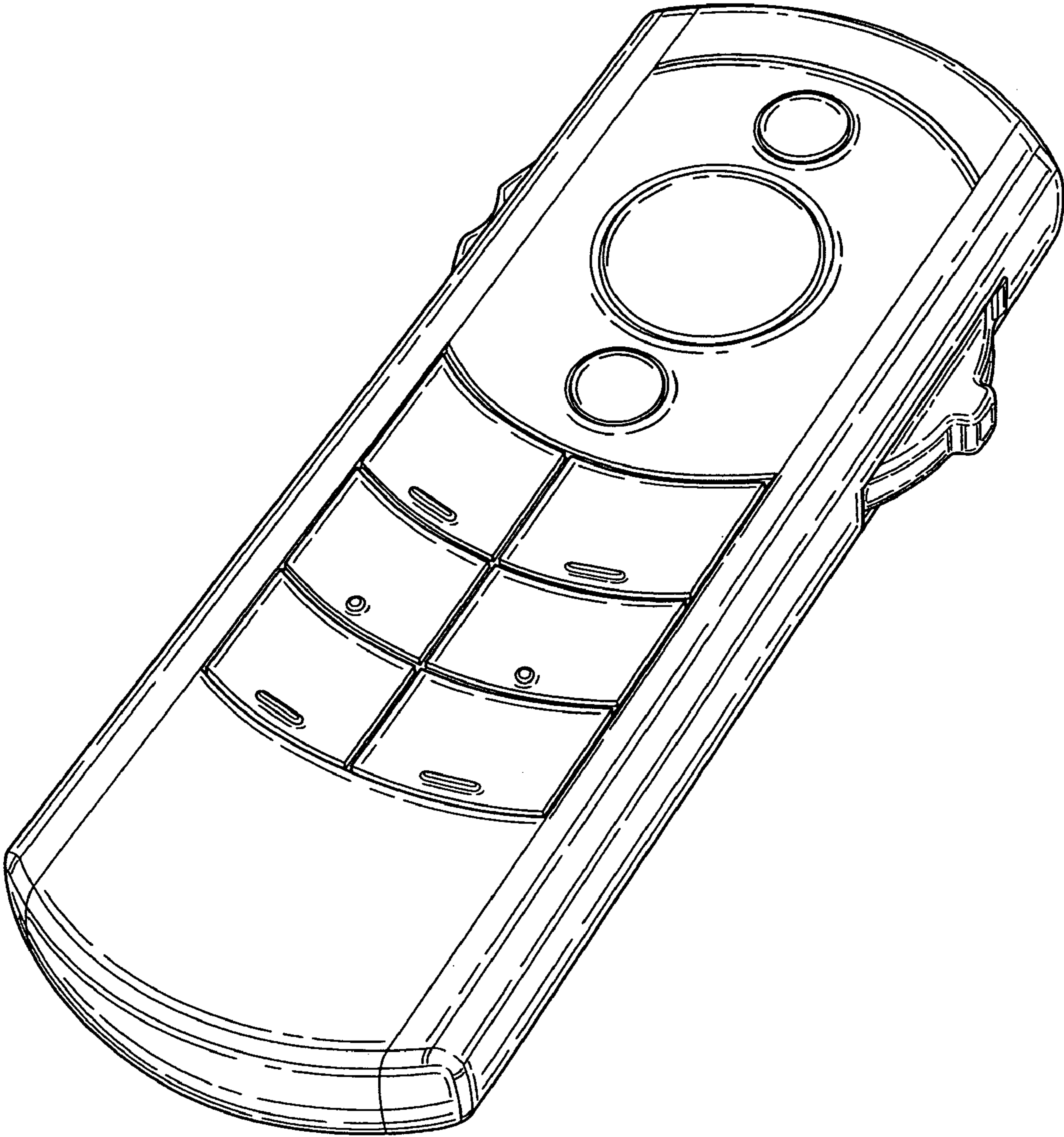


Fig. 1

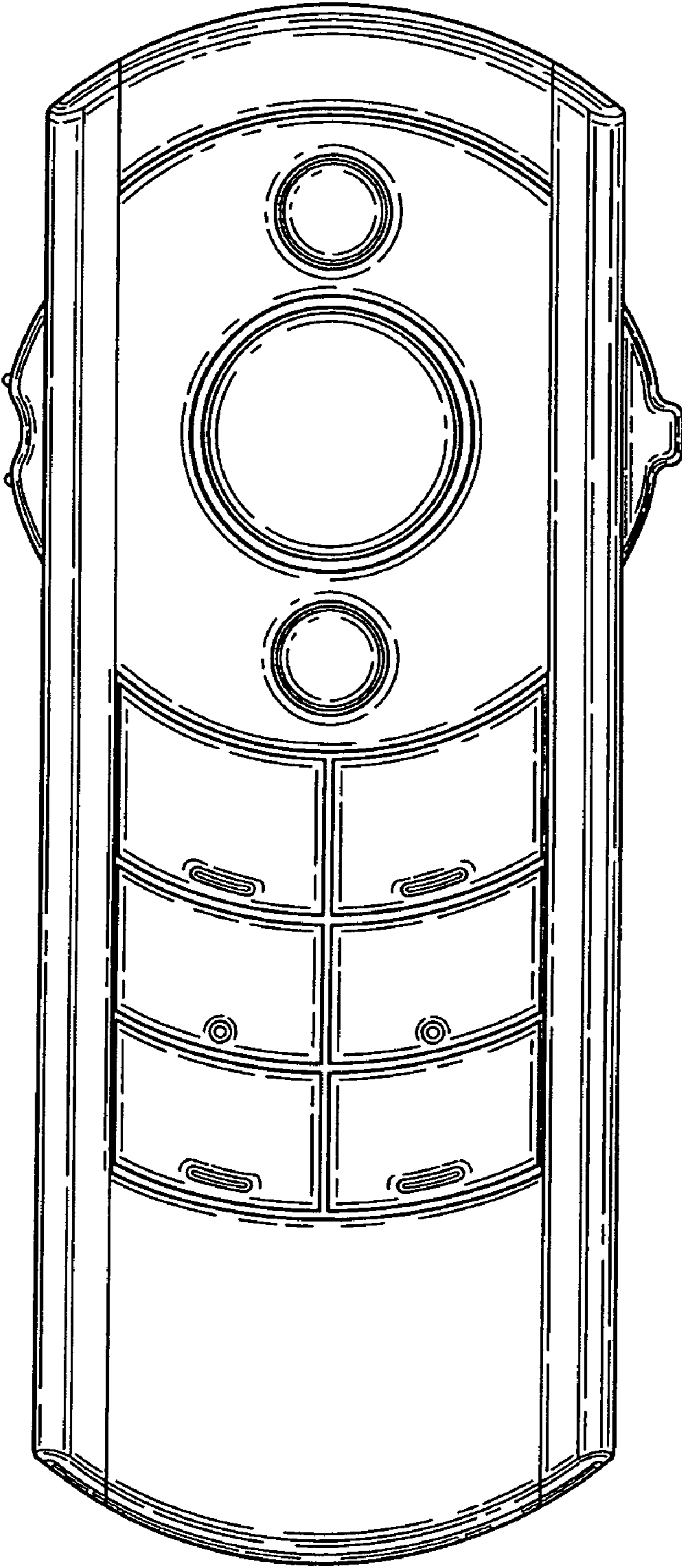


Fig. 2

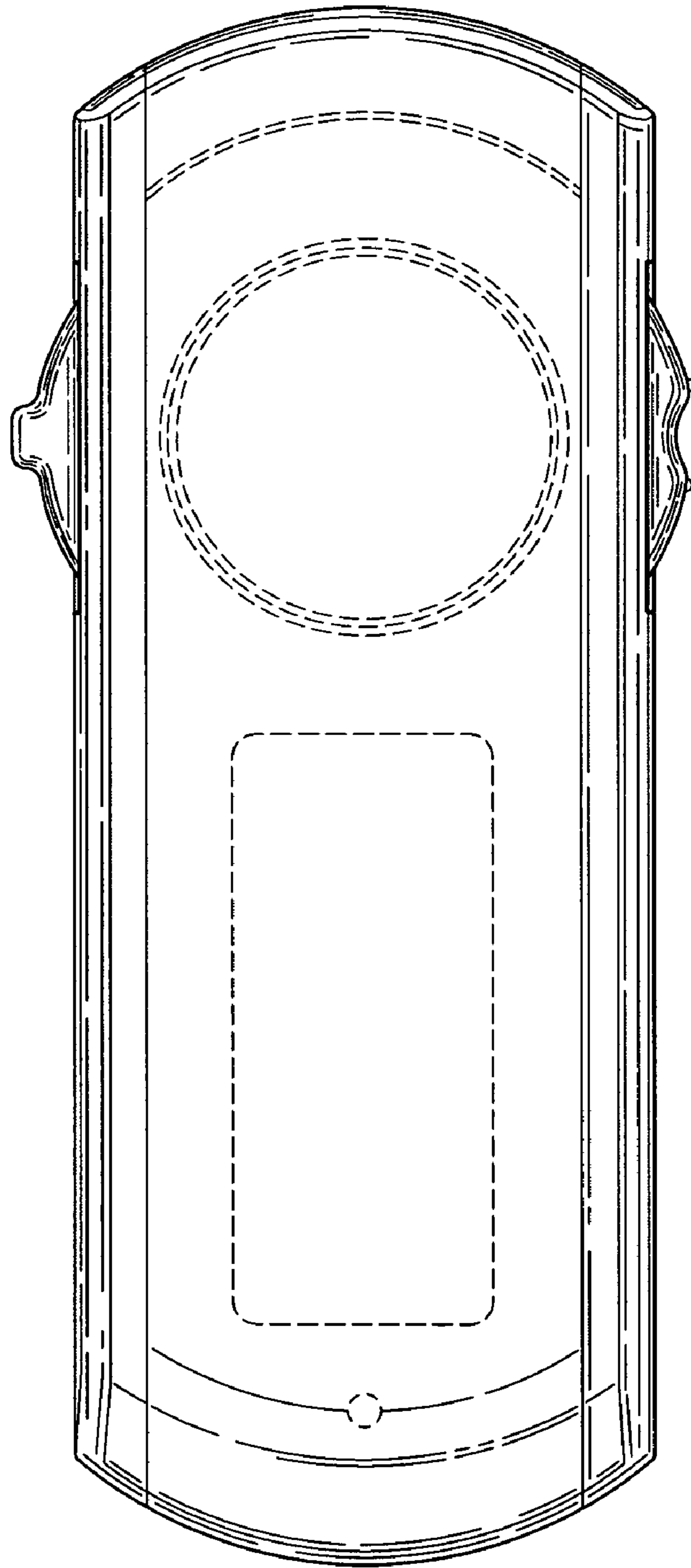


Fig. 3

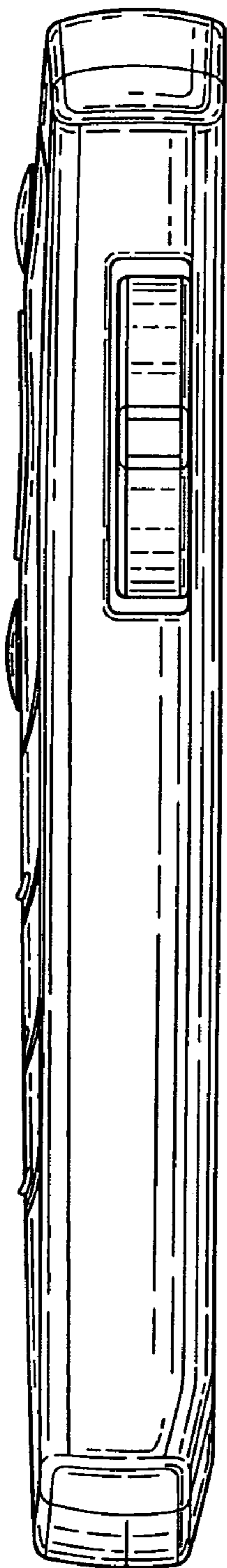


Fig. 4



Fig. 5

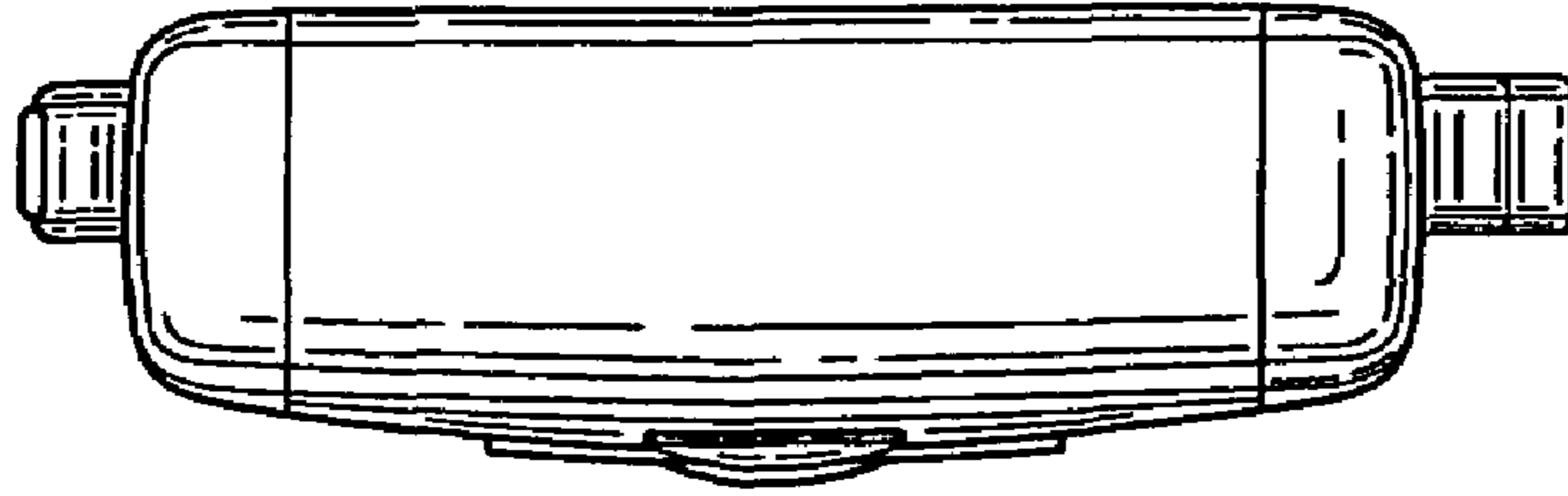


Fig. 6

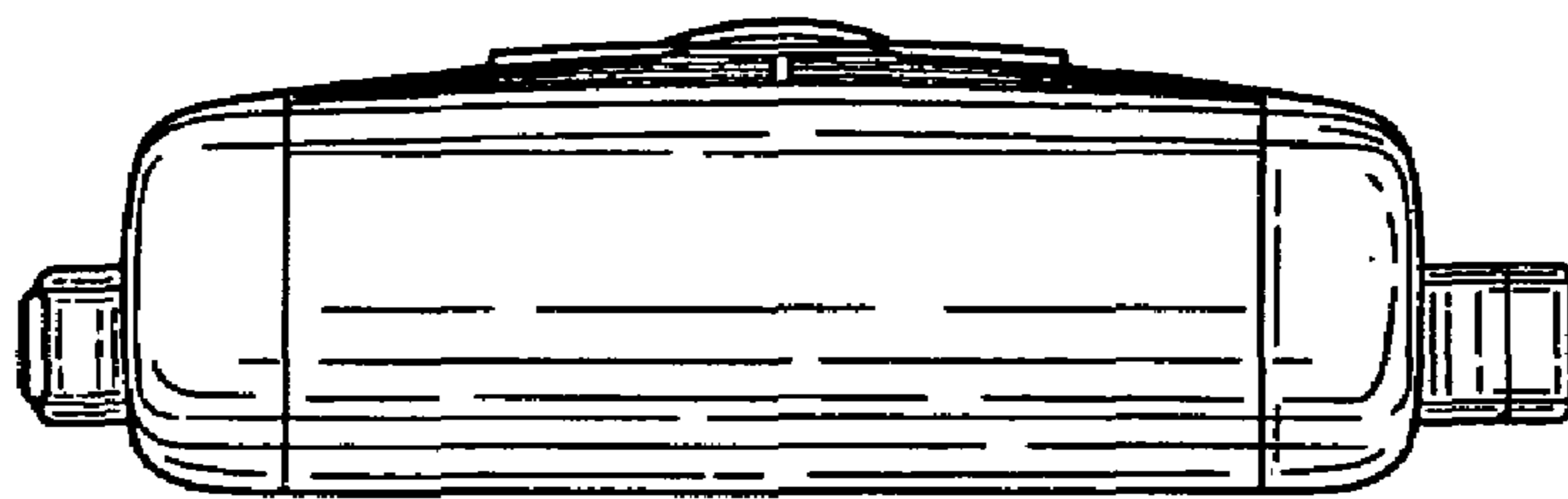


Fig. 7