

US00D595657S

(12) **United States Design Patent**
Liu et al.

(10) **Patent No.:** **US D595,657 S**
(45) **Date of Patent:** **** Jul. 7, 2009**

(54) **RECEPTACLE CONNECTOR**

D570,784 S * 6/2008 Lin et al. D13/147

(75) Inventors: **Bo Liu**, Taipei Hsien (TW); **Feng Zhu**,
Taipei Hsien (TW)

* cited by examiner

Primary Examiner—Daniel D Bui

(73) Assignee: **Cheng Uei Precision Industry Co.,**
Ltd., Taipei Hsien (TW)

(74) *Attorney, Agent, or Firm*—WPAT, P.C.; Anthony King

(**) Term: **14 Years**

(57) **CLAIM**

(21) Appl. No.: **29/330,158**

The ornamental design for a receptacle connector, as shown and described.

(22) Filed: **Dec. 30, 2008**

DESCRIPTION

(51) **LOC (9) Cl.** **13-03**

FIG. 1 is a perspective view of a receptacle connector showing our new design;

(52) **U.S. Cl.** **D13/147**

FIG. 2 is a front elevational view thereof;

(58) **Field of Classification Search** D13/147,
D13/154, 184; 439/79, 607–610, 660, 680–682,
439/686

FIG. 3 is a rear elevational view thereof;

See application file for complete search history.

FIG. 4 is a left side elevational view thereof;

FIG. 5 is a right side elevational view thereof;

(56) **References Cited**

FIG. 6 is a top plan view thereof; and,

U.S. PATENT DOCUMENTS

FIG. 7 is a bottom plan view thereof.

D351,136 S * 10/1994 Kurata D13/147

The broken line of internal elements of the connector in FIGS. 4, 5 and 7 is included to show unclaimed subject matter only and forms no part of the claimed design.

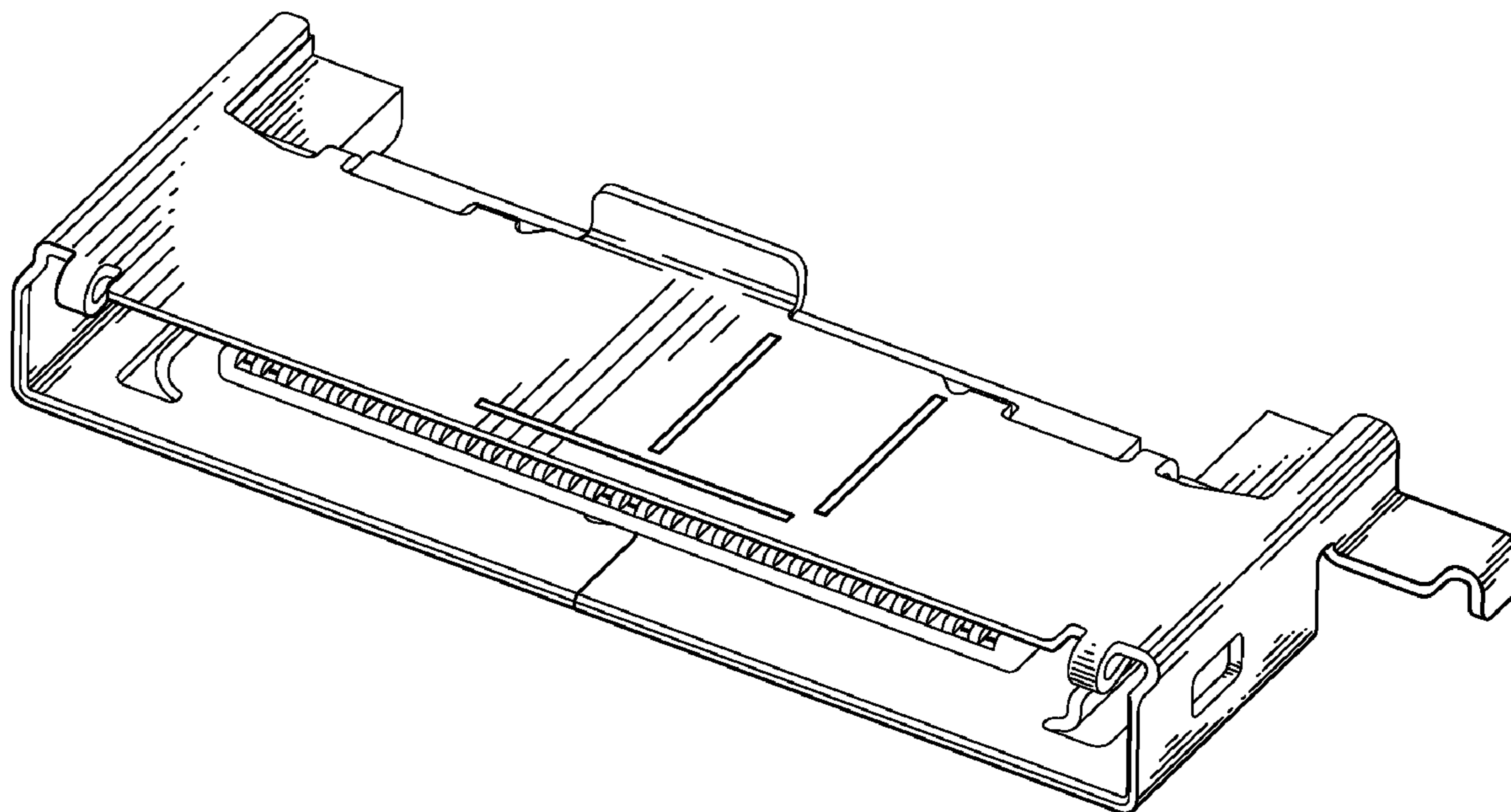
D416,863 S * 11/1999 Sato et al. D13/147

6,439,926 B1 * 8/2002 Kuan 439/607

D519,461 S * 4/2006 Su D13/147

D552,554 S * 10/2007 Lin et al. D13/147

1 Claim, 7 Drawing Sheets



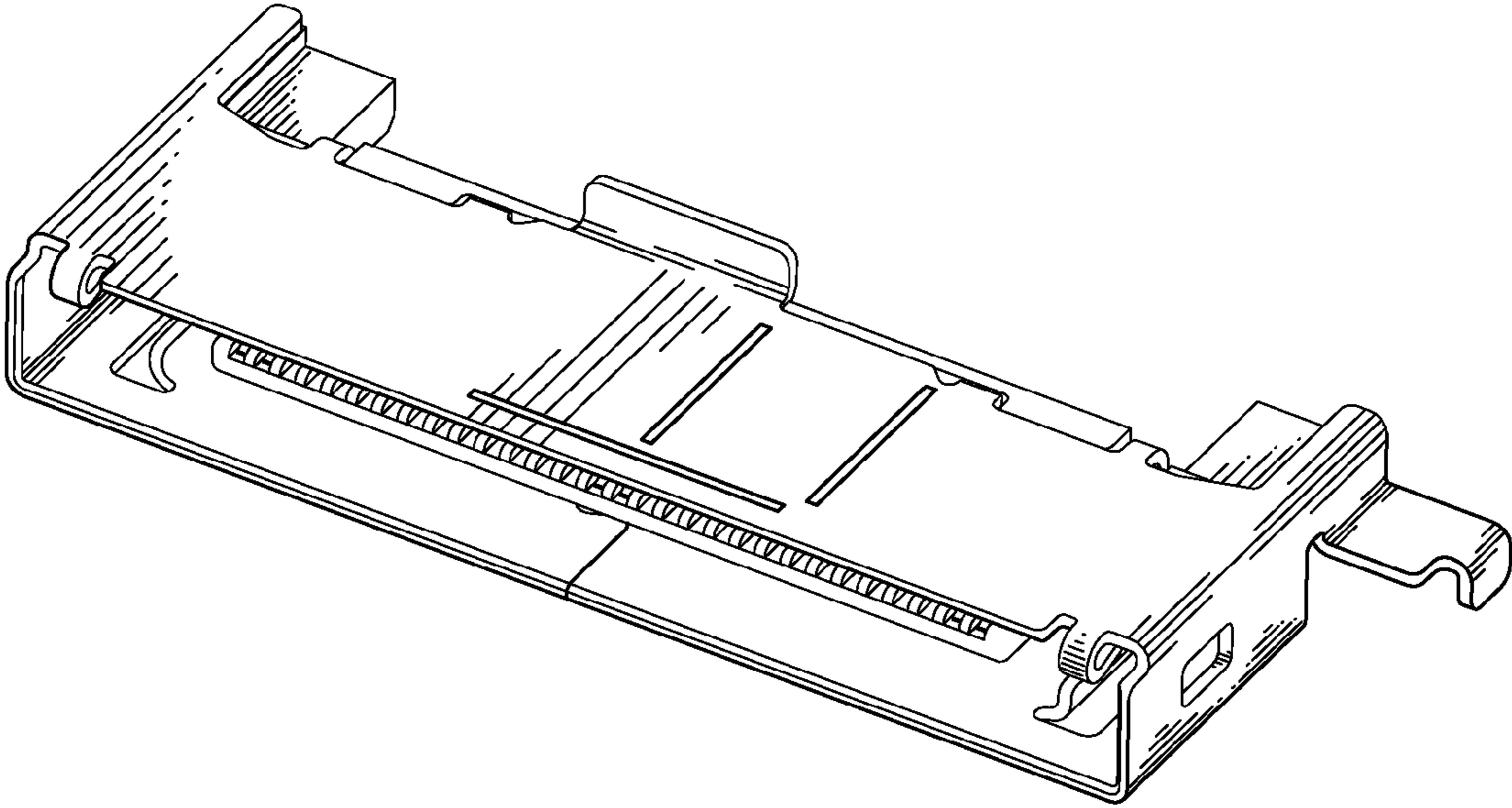


FIG. 1

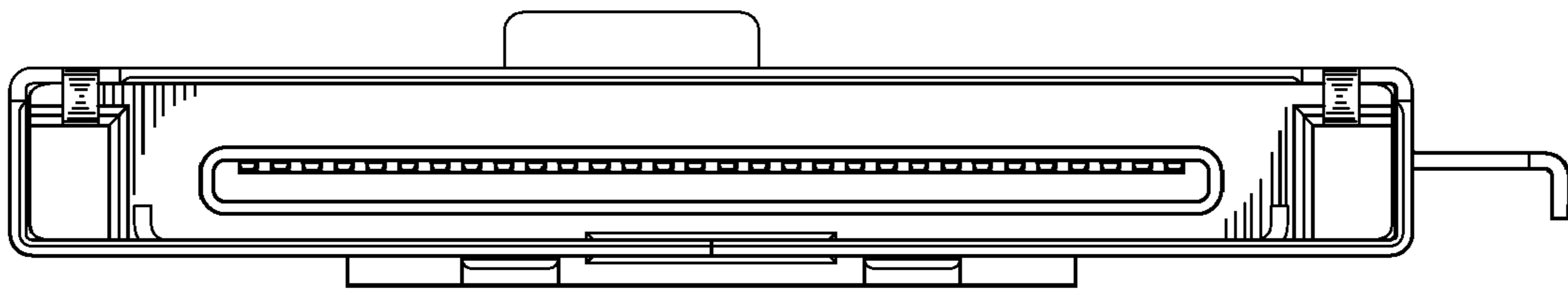


FIG. 2

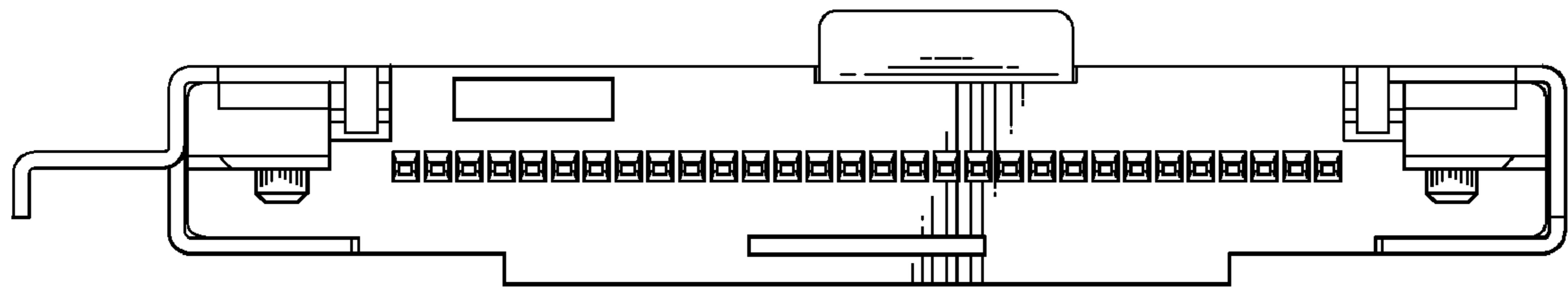


FIG. 3

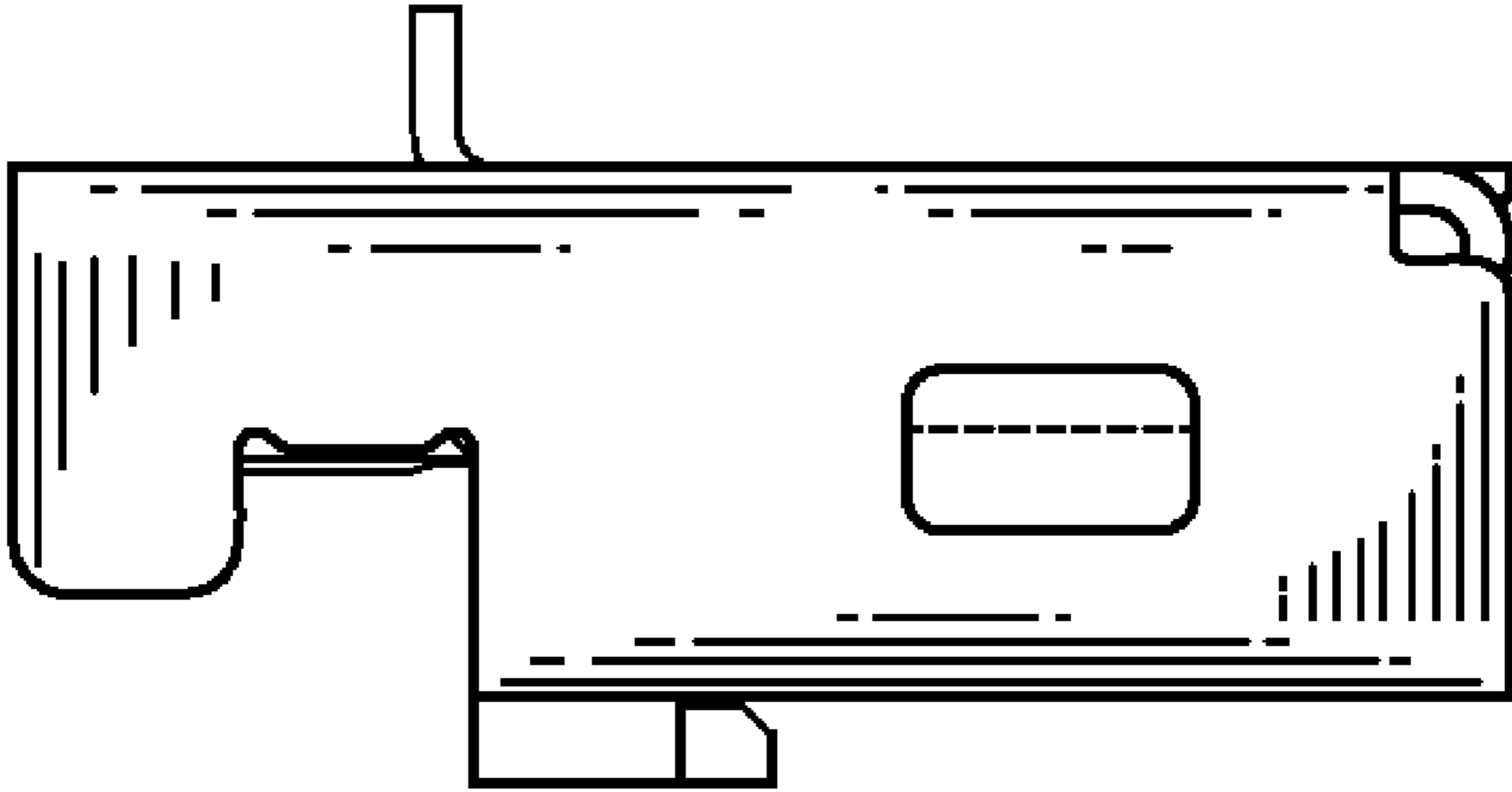


FIG. 4

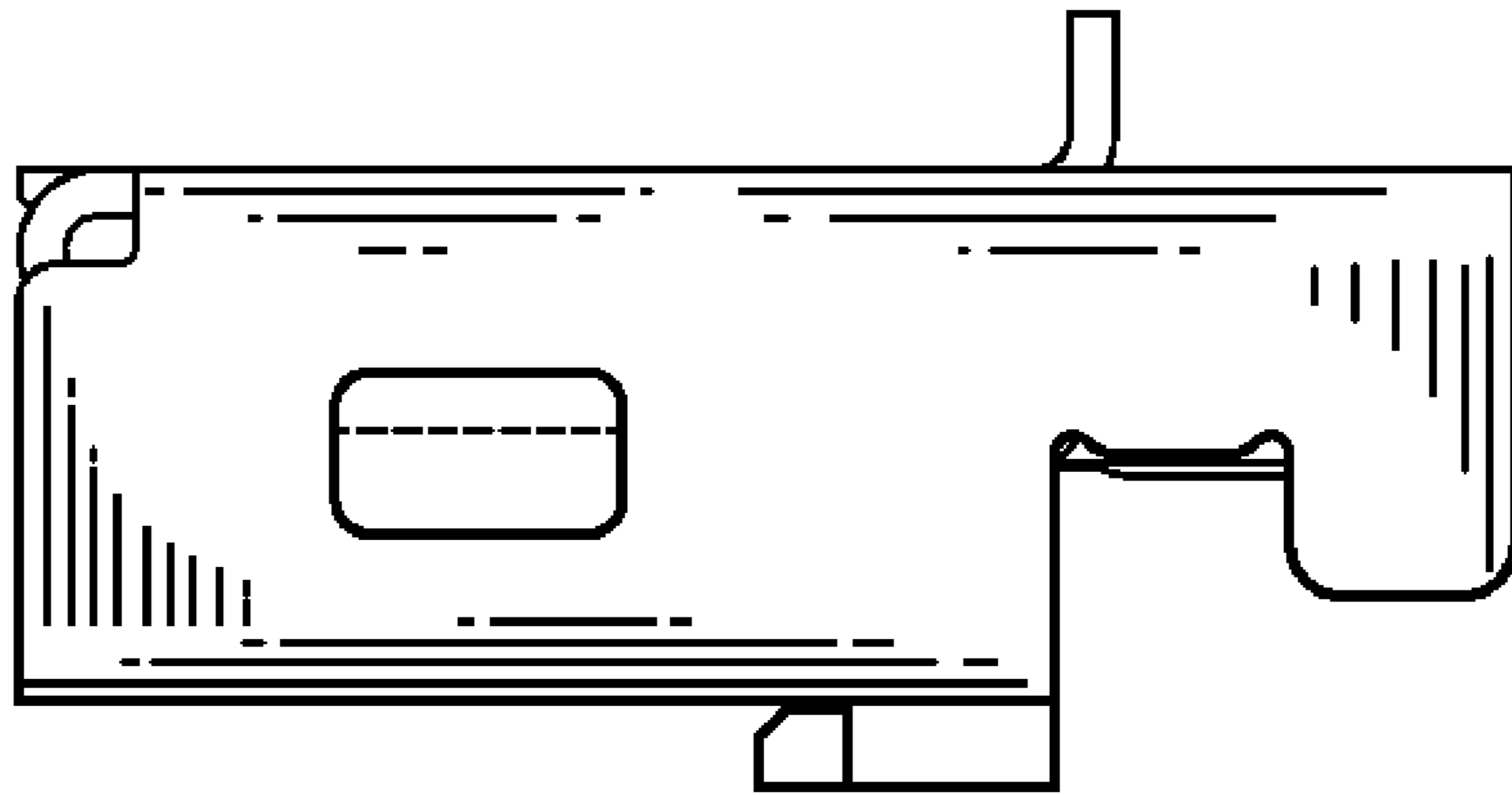


FIG. 5

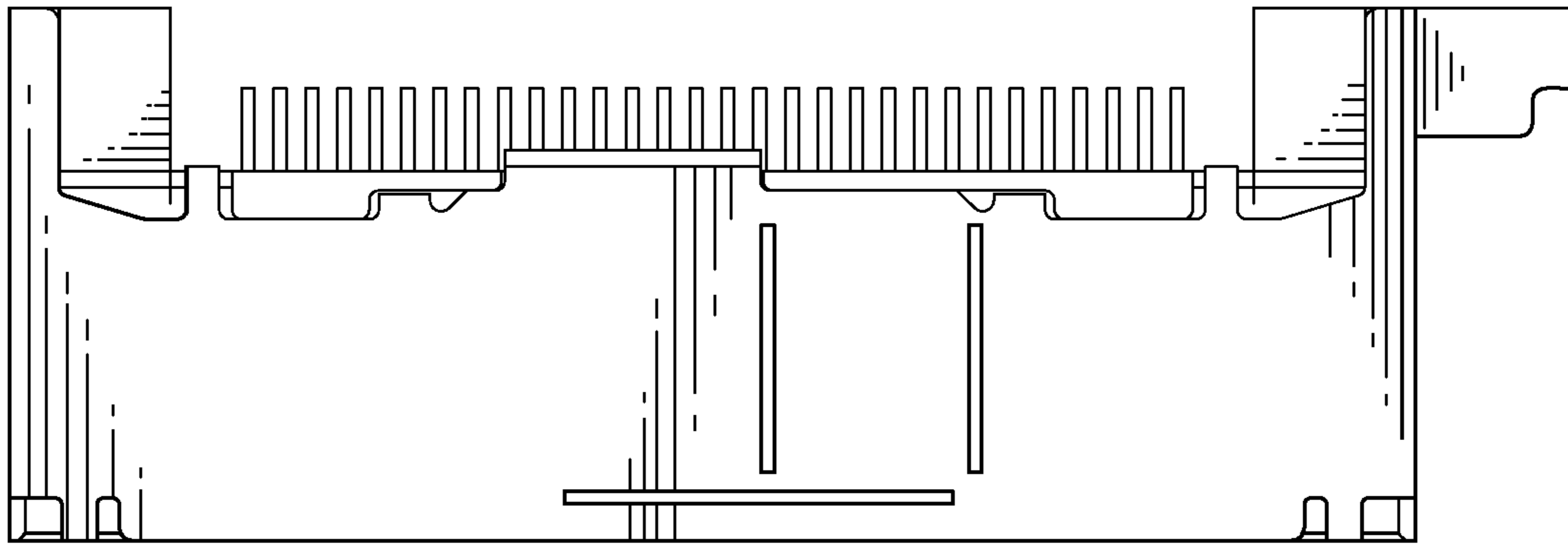


FIG. 6

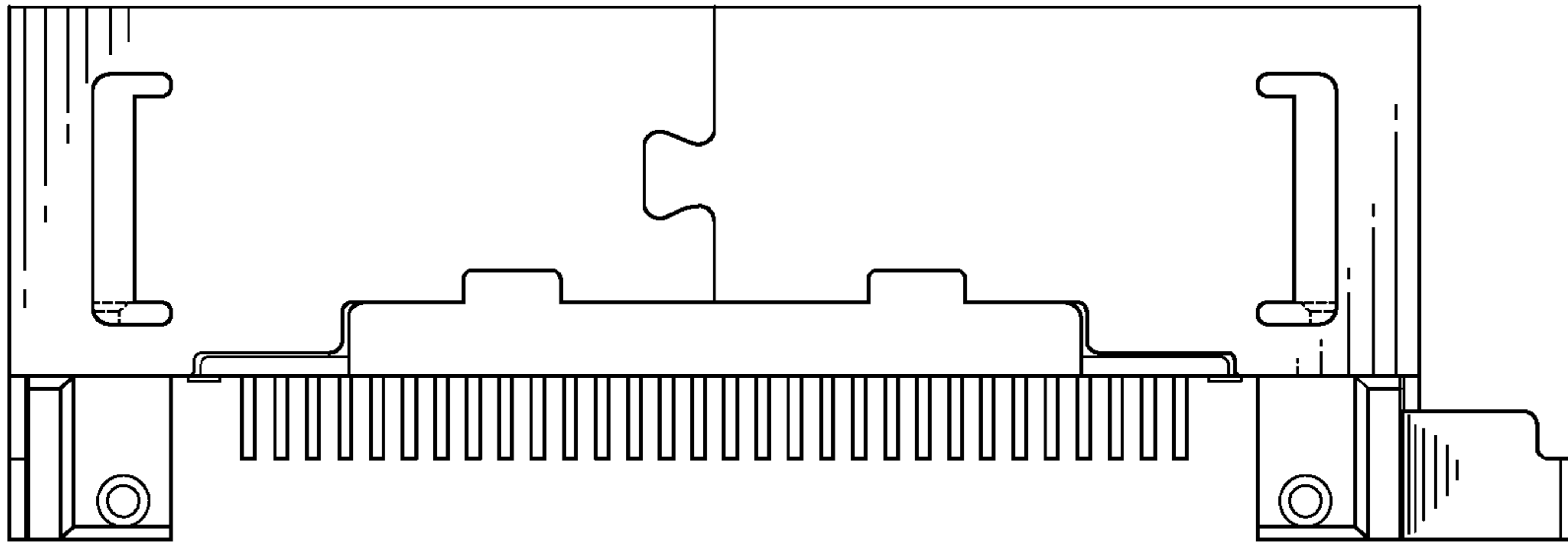


FIG. 7