



US00D595655S

(12) **United States Design Patent**  
**Huang et al.**

(10) **Patent No.:** **US D595,655 S**

(45) **Date of Patent:** **\*\* Jul. 7, 2009**

(54) **FPC CONNECTOR**

(75) Inventors: **Sheng-Yuan Huang**, Tu-Cheng (TW);  
**Yung-Chi Peng**, Tu-Cheng (TW)

(73) Assignee: **Cheng Uei Precision Industry Co., Ltd.**, Taipei Hsien (TW)

(\*\*) Term: **14 Years**

(21) Appl. No.: **29/328,213**

(22) Filed: **Nov. 20, 2008**

(51) **LOC (9) Cl.** ..... **13-03**

(52) **U.S. Cl.** ..... **D13/147**

(58) **Field of Classification Search** ..... D13/133,  
D13/147, 154, 184; D14/432, 433, 435,  
D14/436, 438; 439/64, 79, 159–160, 330–331,  
439/341–342, 607–610, 629–630, 636, 660,  
439/773, 946

See application file for complete search history.

(56) **References Cited**

**U.S. PATENT DOCUMENTS**

- D470,110 S \* 2/2003 Yamane ..... D13/147
- D482,327 S \* 11/2003 Saito et al. .... D13/147
- D500,985 S \* 1/2005 Yamane et al. .... D13/147
- D501,183 S \* 1/2005 Yamane et al. .... D13/147

- D517,494 S \* 3/2006 Ikenaga et al. .... D13/147
- D529,869 S \* 10/2006 Lee et al. .... D13/147
- D582,853 S \* 12/2008 Peng et al. .... D13/147
- D582,856 S \* 12/2008 Peng ..... D13/147

\* cited by examiner

*Primary Examiner*—Daniel D Bui

(57) **CLAIM**

The ornamental design for a FPC connector, as shown and described.

**DESCRIPTION**

FIG. 1 is a perspective view of a FPC connector showing our new design;

FIG. 2 is a front elevational view thereof;

FIG. 3 is a rear elevational view thereof;

FIG. 4 is a left side elevational view thereof;

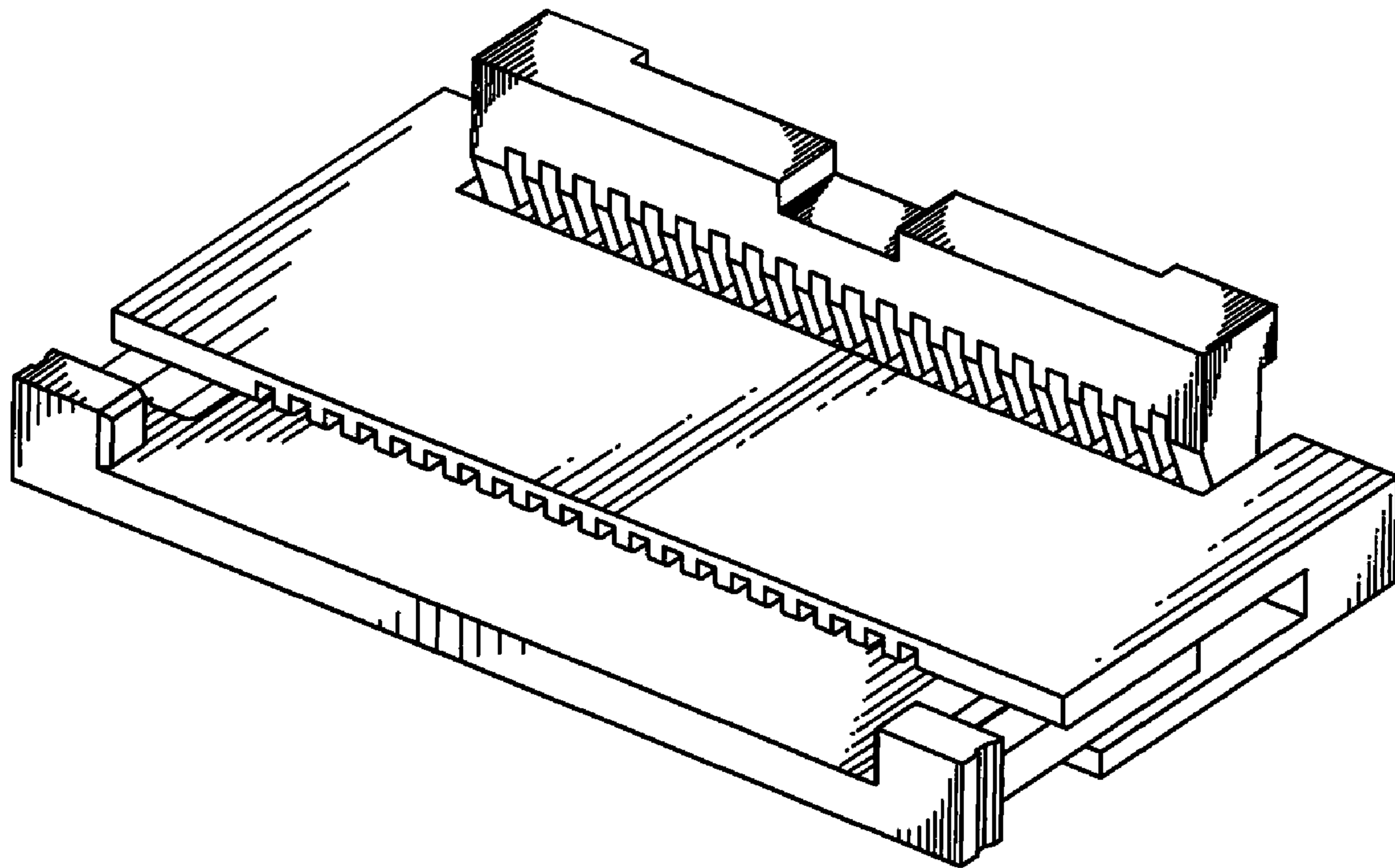
FIG. 5 is a right side elevational view thereof;

FIG. 6 is a top plan view thereof;

FIG. 7 is a bottom plan view thereof; and,

FIG. 8 is a perspective view showing the FPC connector in an opening state.

**1 Claim, 8 Drawing Sheets**



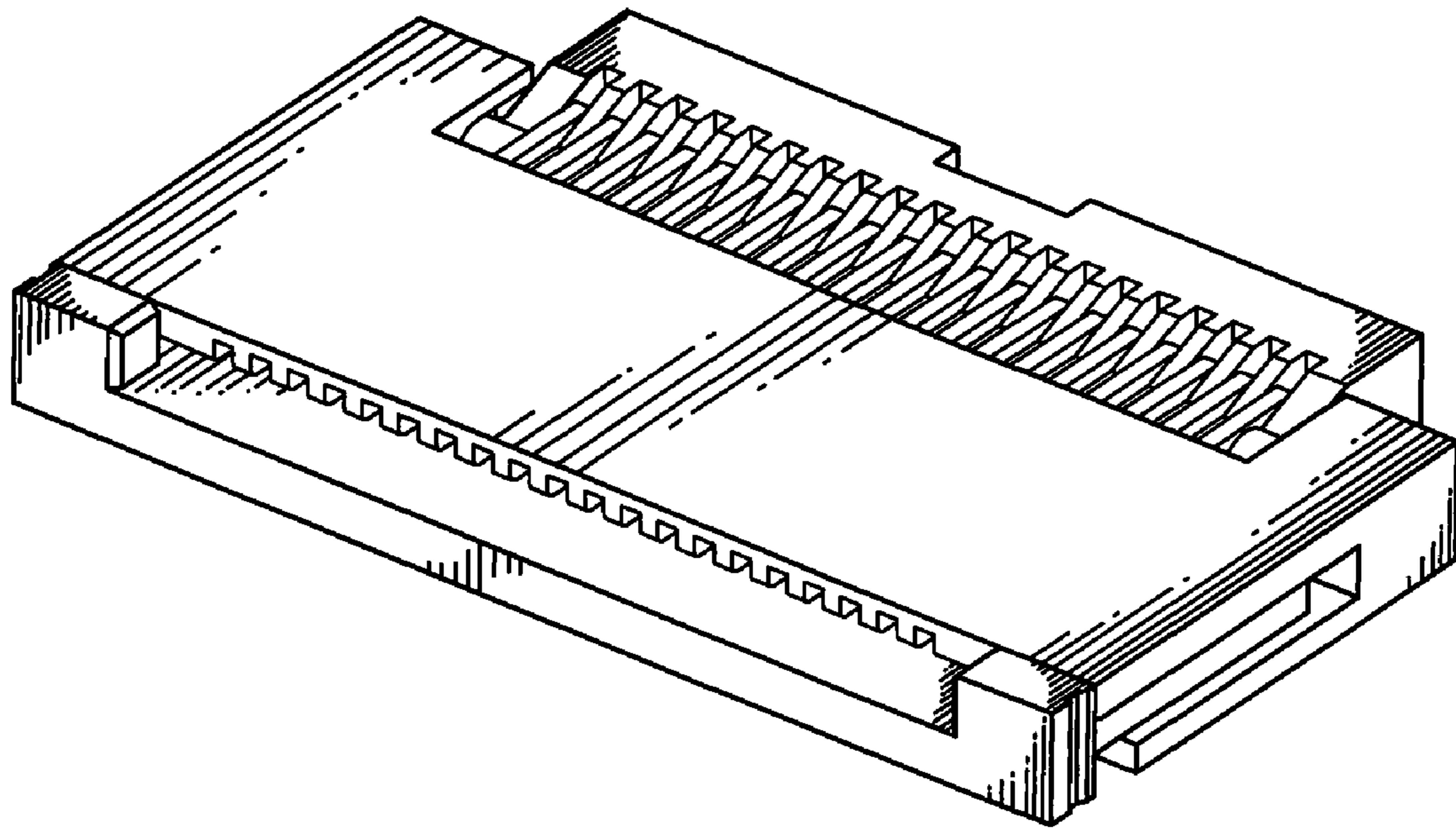


FIG. 1



FIG. 2

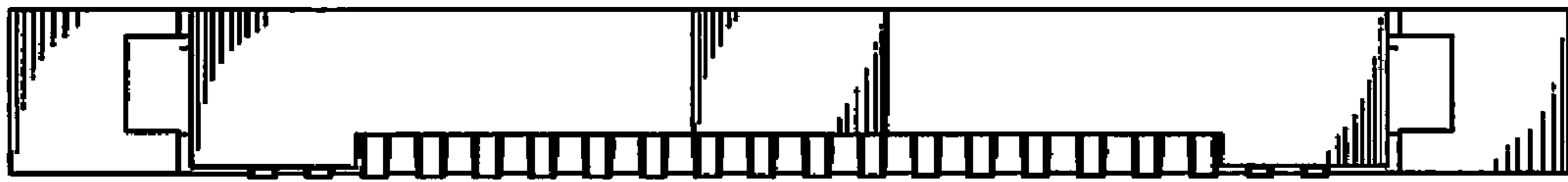


FIG. 3

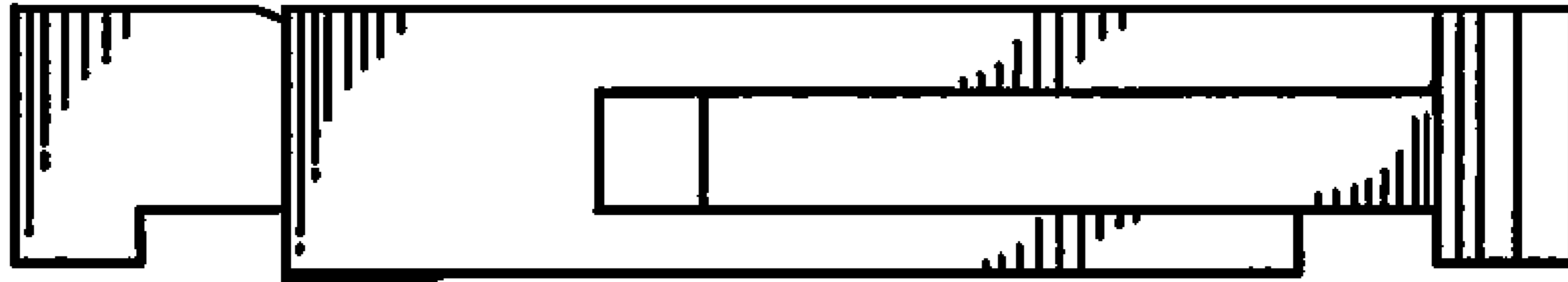


FIG. 4

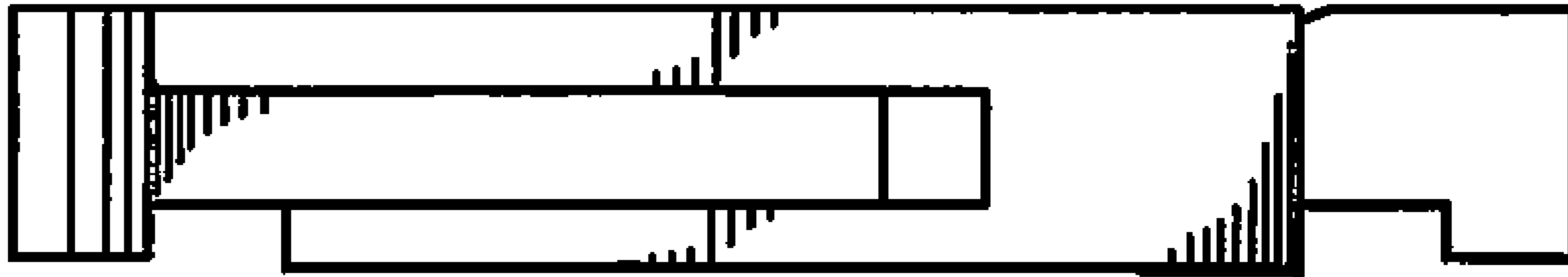


FIG. 5

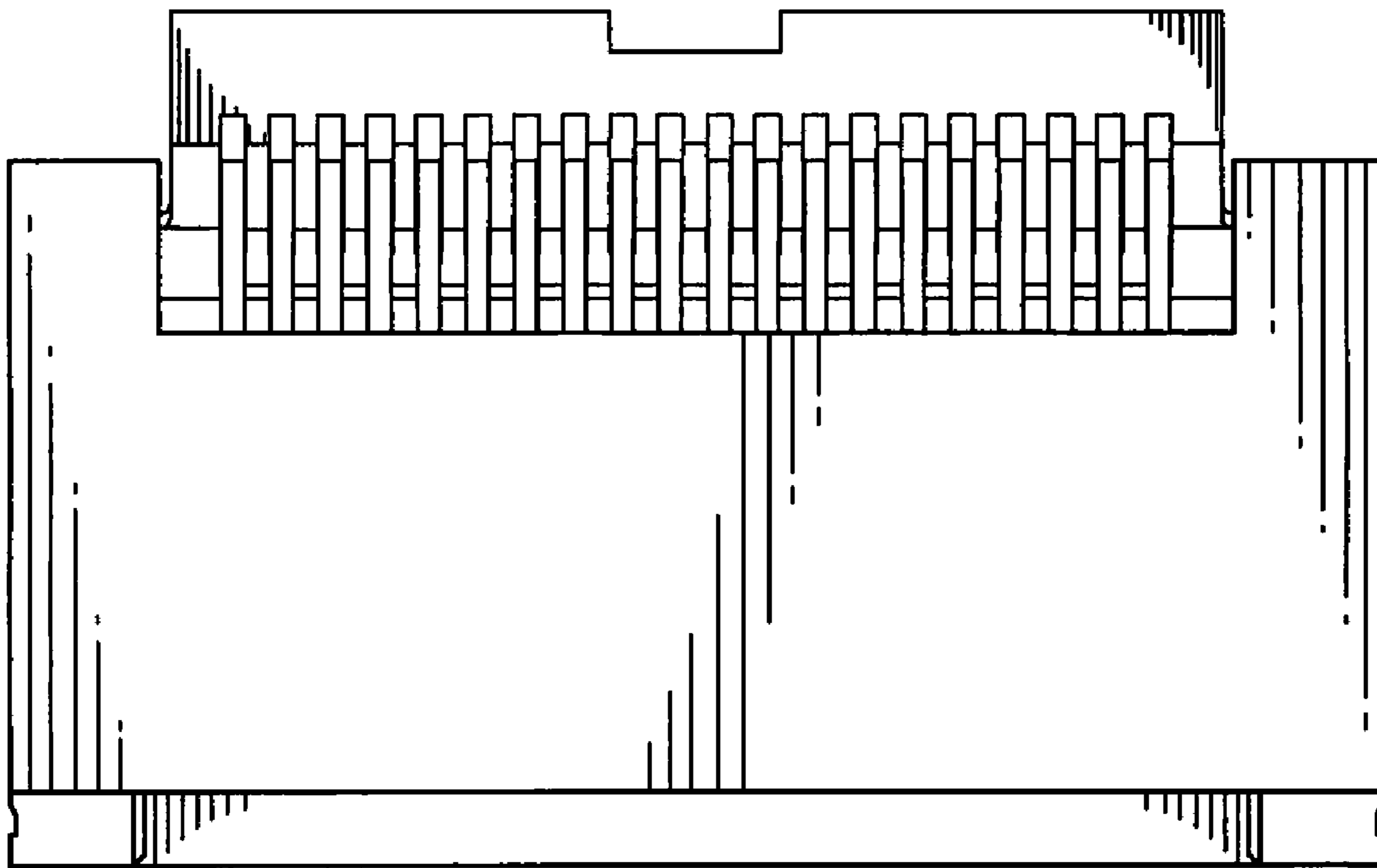


FIG. 6

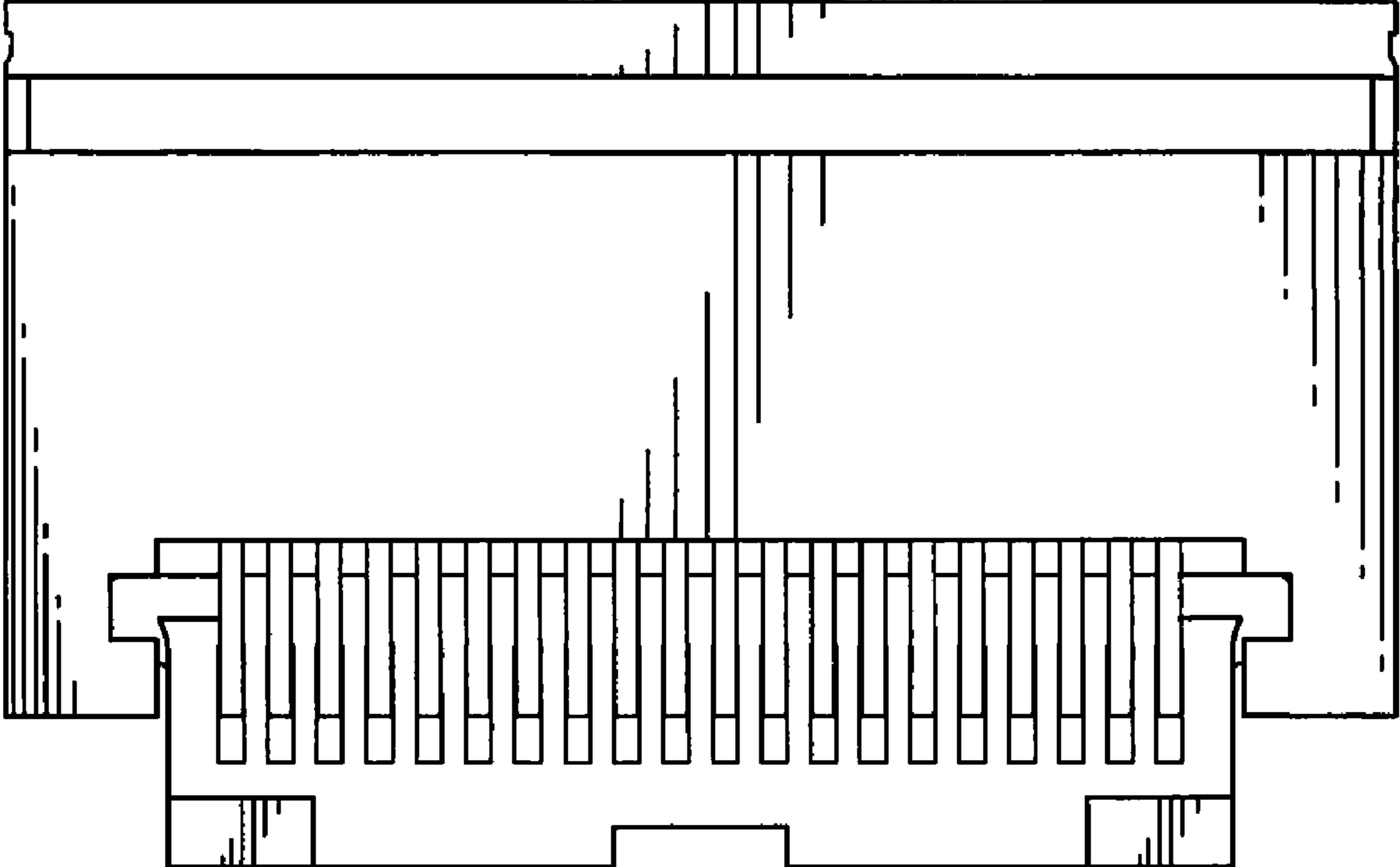


FIG. 7



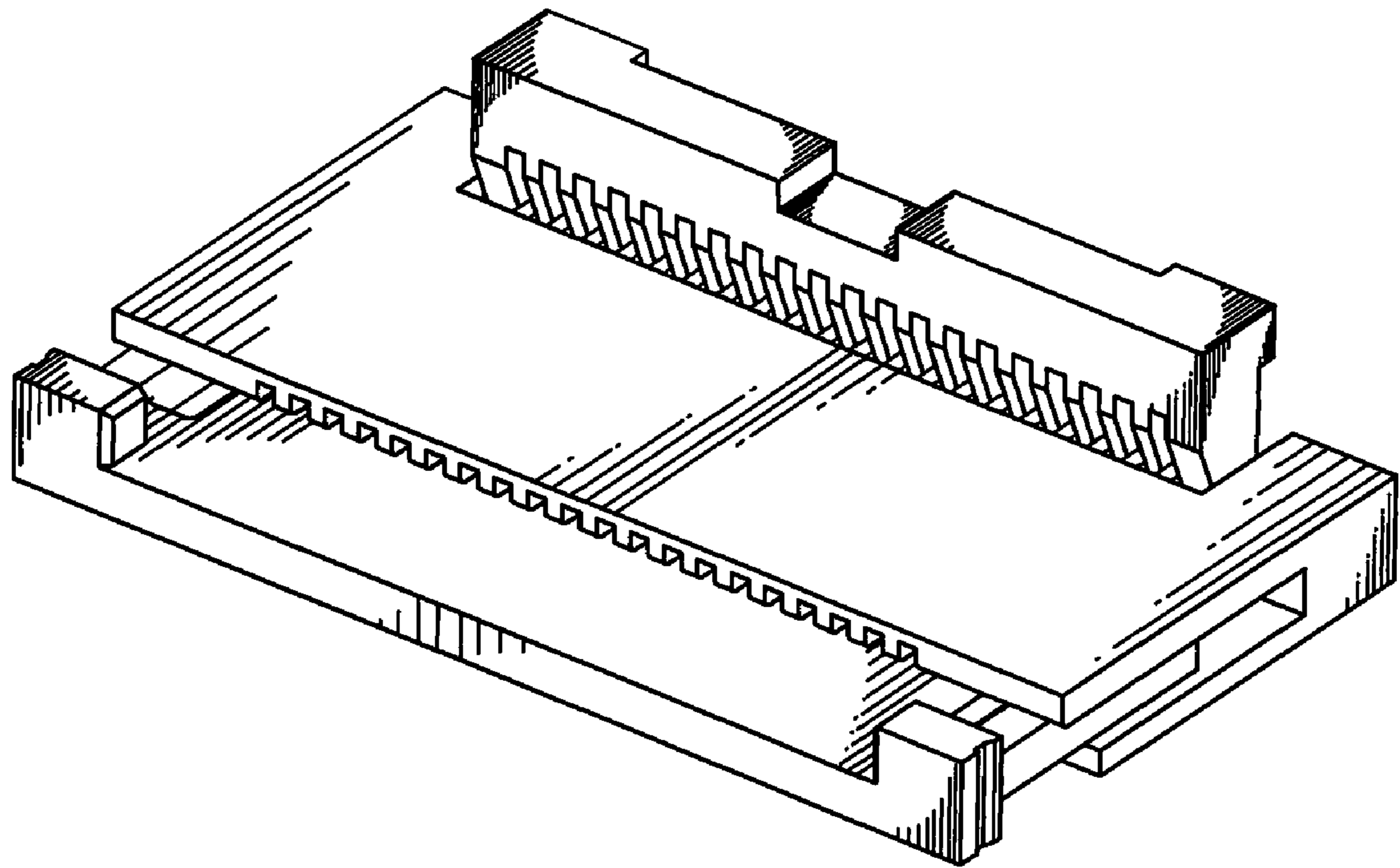


FIG. 8