



US00D595654S

(12) **United States Design Patent**
Andre et al.

(10) **Patent No.:** **US D595,654 S**
(45) **Date of Patent:** **** Jul. 7, 2009**

(54) **POWER CONNECTOR**

(56) **References Cited**

(75) Inventors: **Bartley K. Andre**, Menlo Park, CA (US); **Daniel J. Coster**, San Francisco, CA (US); **Daniele De Iuliis**, San Francisco, CA (US); **Richard P. Howarth**, San Francisco, CA (US); **Jonathan P. Ive**, San Francisco, CA (US); **Duncan Robert Kerr**, San Francisco, CA (US); **Shin Nishibori**, Portola Valley, CA (US); **Matthew Dean Rohrbach**, San Francisco, CA (US); **Peter Russell-Clarke**, San Francisco, CA (US); **Douglas B. Satzger**, Menlo Park, CA (US); **Christopher J. Stringer**, Woodside, CA (US); **Eugene Antony Whang**, San Francisco, CA (US); **Rico Zorkendorfer**, San Francisco, CA (US); **Calvin Q. Seid**, Palo Alto, CA (US); **Vincent Keane Seid**, legal representative, Los Gatos, CA (US)

U.S. PATENT DOCUMENTS

D300,626	S	*	4/1989	Crutcher et al.	D13/144
5,685,730	A	*	11/1997	Cameron et al.	439/335
D400,177	S	*	10/1998	Jones	D13/144
D434,003	S	*	11/2000	Brisson	D13/146
D437,294	S	*	2/2001	Amin	D13/156
D461,448	S	*	8/2002	Amin	D13/133
D474,448	S	*	5/2003	Bosch	D13/144
D503,385	S	*	3/2005	Hosokawa	D13/147
D554,585	S	*	11/2007	Nazar	D13/110
7,311,460	B2	*	12/2007	Yu	401/195

* cited by examiner

Primary Examiner—Daniel D Bui
Assistant Examiner—Thomas J Johannes
(74) *Attorney, Agent, or Firm*—Sterne Kessler Goldstein & Fox P.L.L.C.

(73) Assignee: **Apple Inc.**, Cupertino, CA (US)

(**) Term: **14 Years**

(21) Appl. No.: **29/331,002**

(22) Filed: **Jan. 16, 2009**

Related U.S. Application Data

(62) Division of application No. 29/281,458, filed on Jun. 22, 2007, now Pat. No. Des. 585,375.

(51) **LOC (9) Cl.** **13-03**

(52) **U.S. Cl.** **D13/133; D13/144**

(58) **Field of Classification Search** D13/133,
D13/144, 154, 156, 184, 199; 439/675, 699,
439/750

See application file for complete search history.

(57) **CLAIM**

The ornamental design for a power connector, as shown and described.

DESCRIPTION

FIG. 1 is a perspective view of a power connector showing our new design;

FIG. 2 is a front view thereof;

FIG. 3 is a rear view thereof;

FIG. 4 is a side view thereof;

FIG. 5 is another side view thereof;

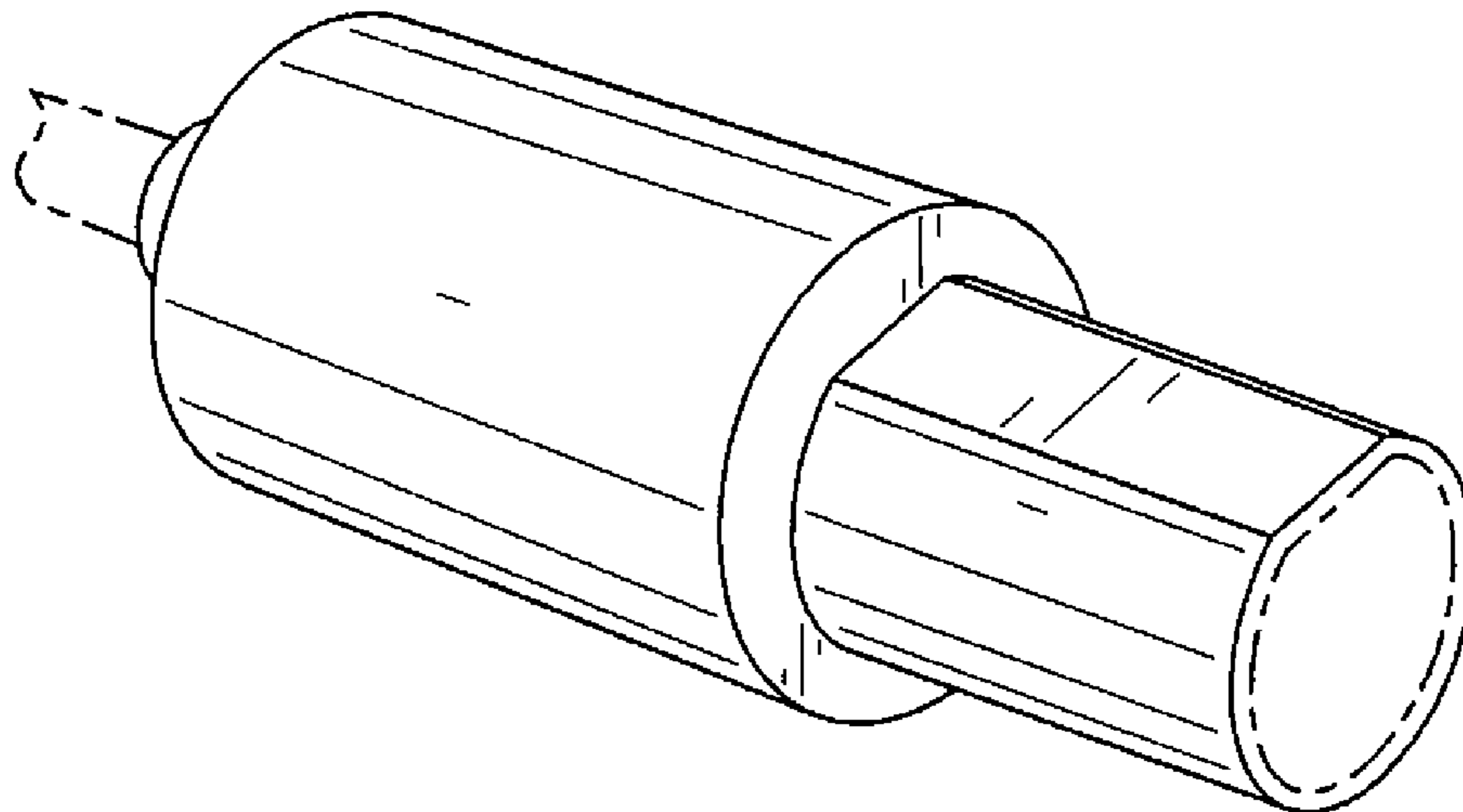
FIG. 6 is a top view thereof;

FIG. 7 is a bottom view thereof; and,

FIG. 8 is an exploded perspective view of the power connector of FIGS. 1–7 shown in a typical usage environment.

The broken lines in the Figures are for environmental purposes only and form no part of the claimed design.

1 Claim, 5 Drawing Sheets



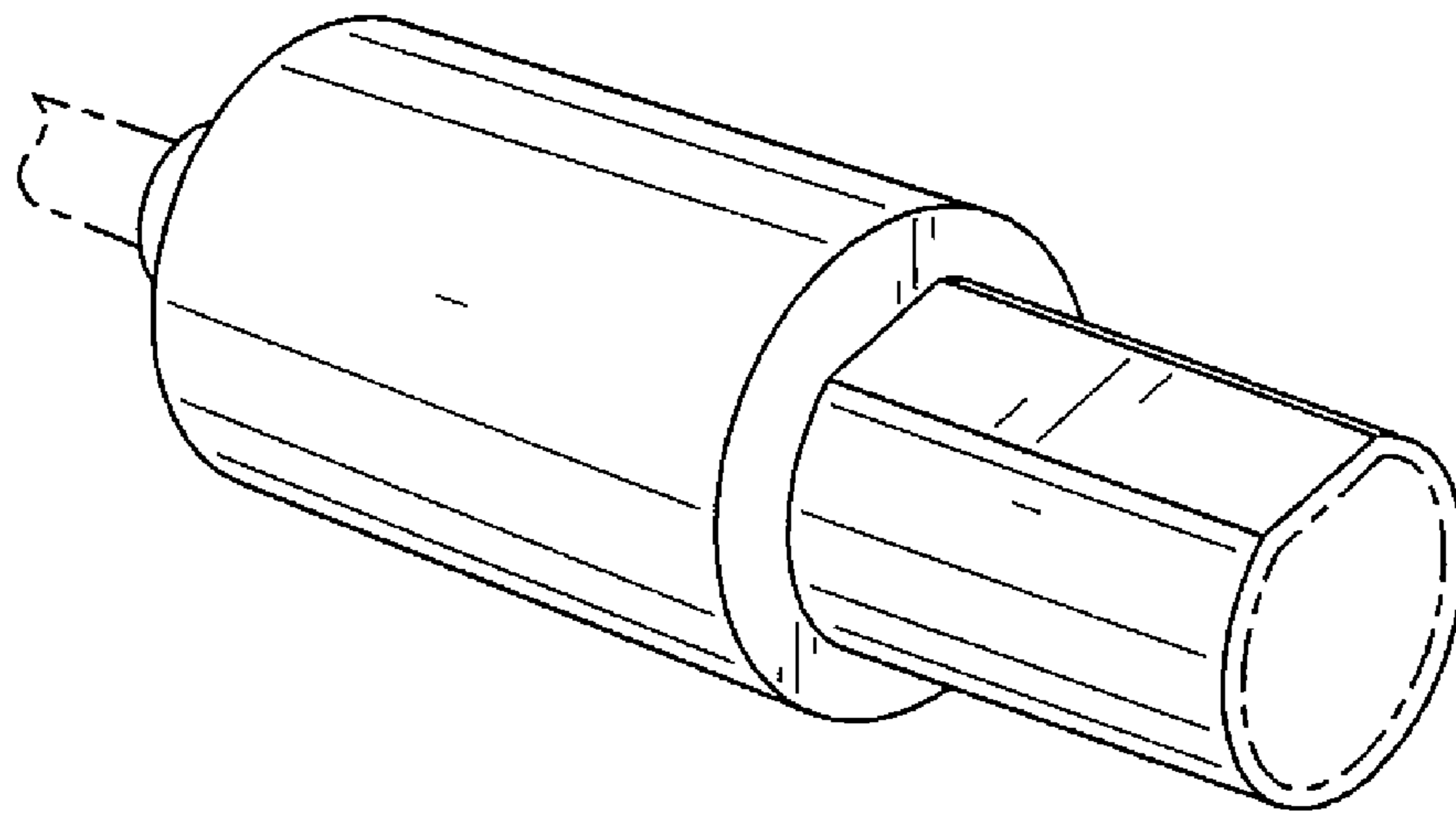


FIG. 1

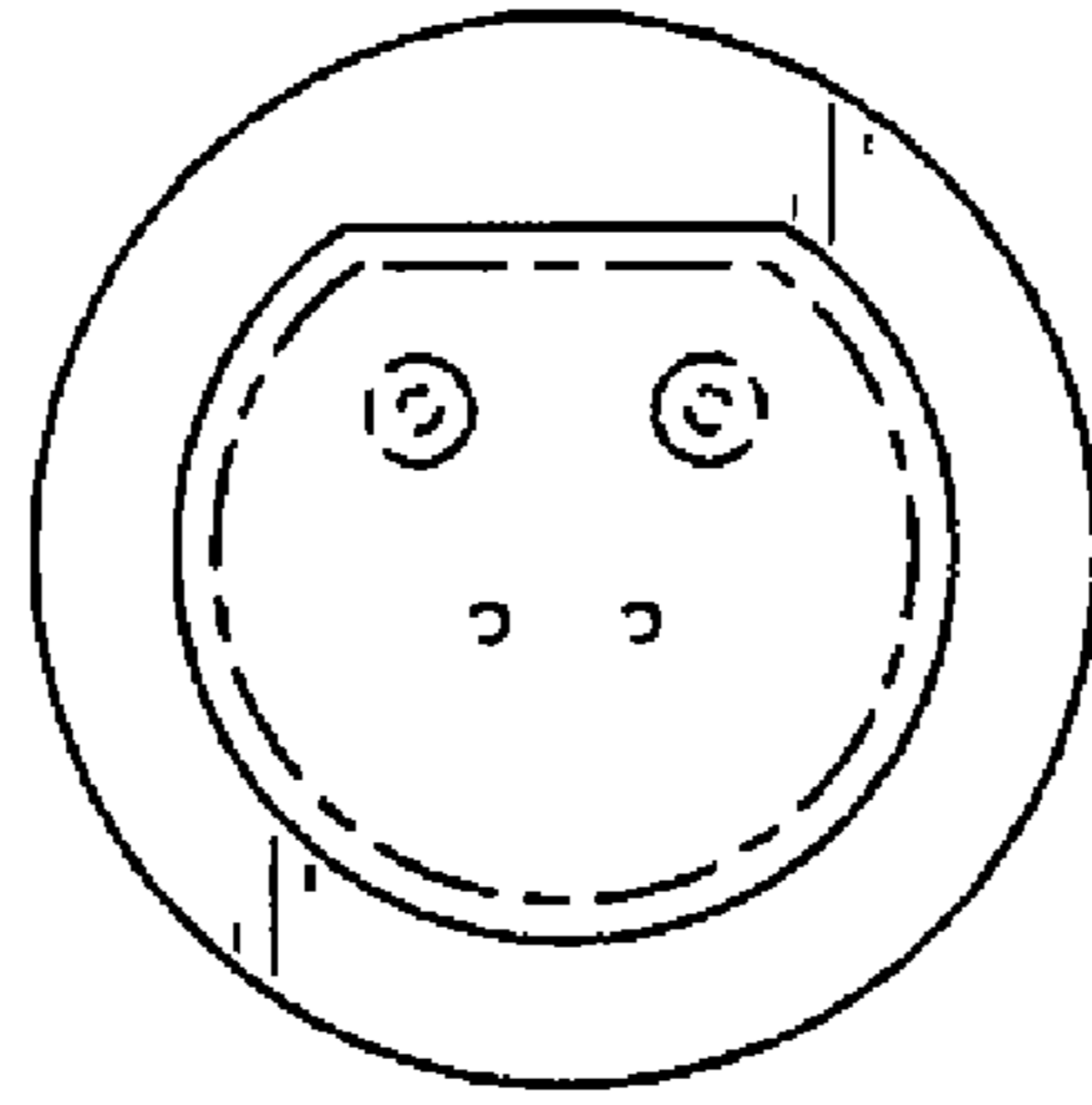


FIG. 2

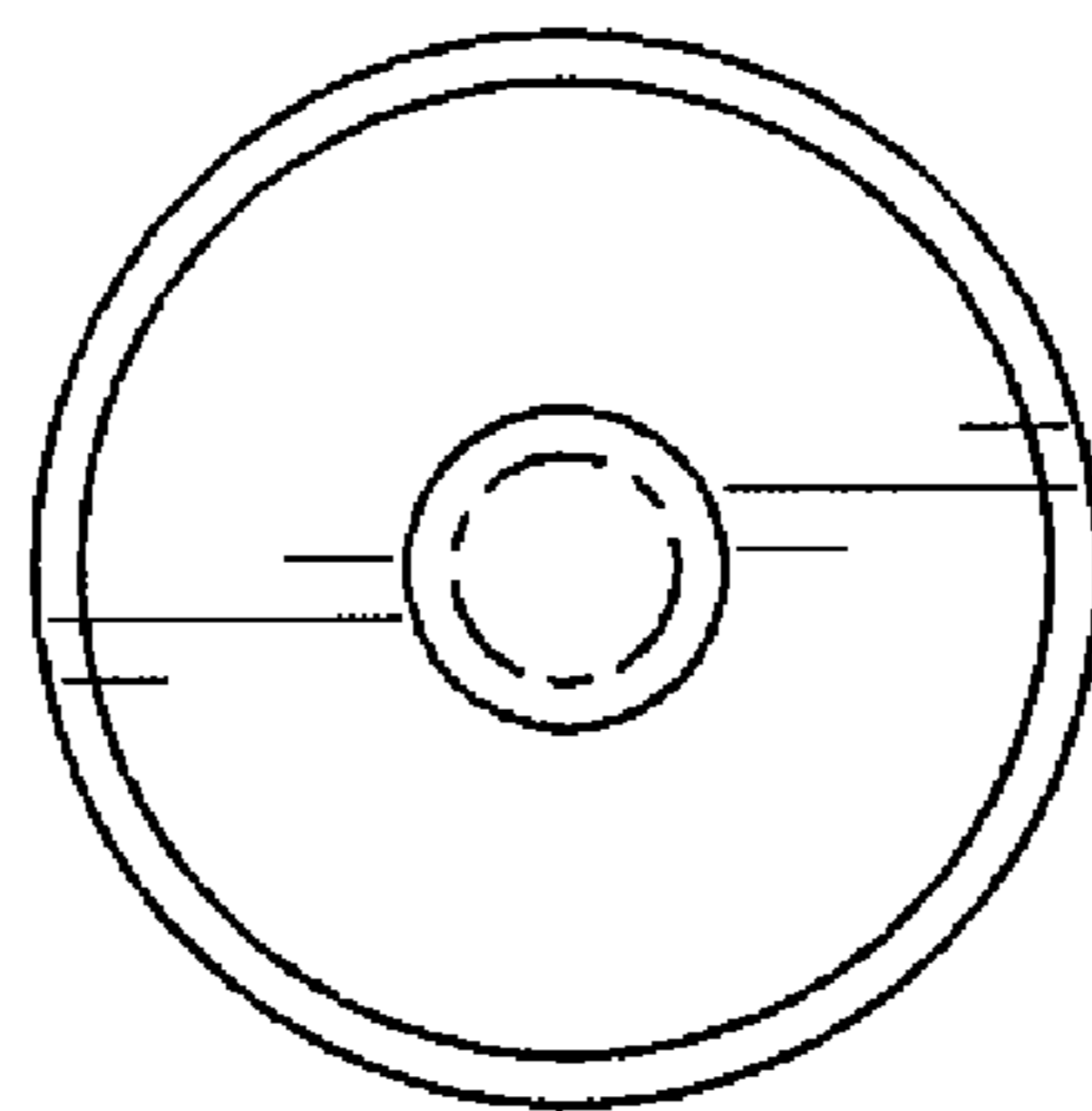


FIG. 3

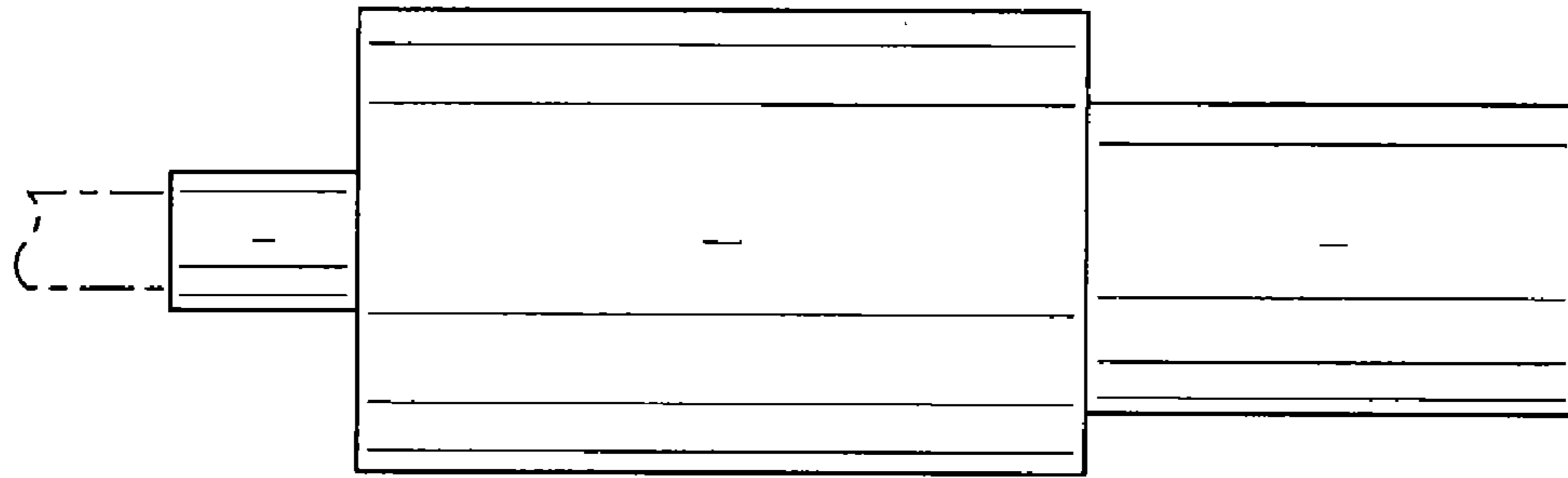


FIG. 4

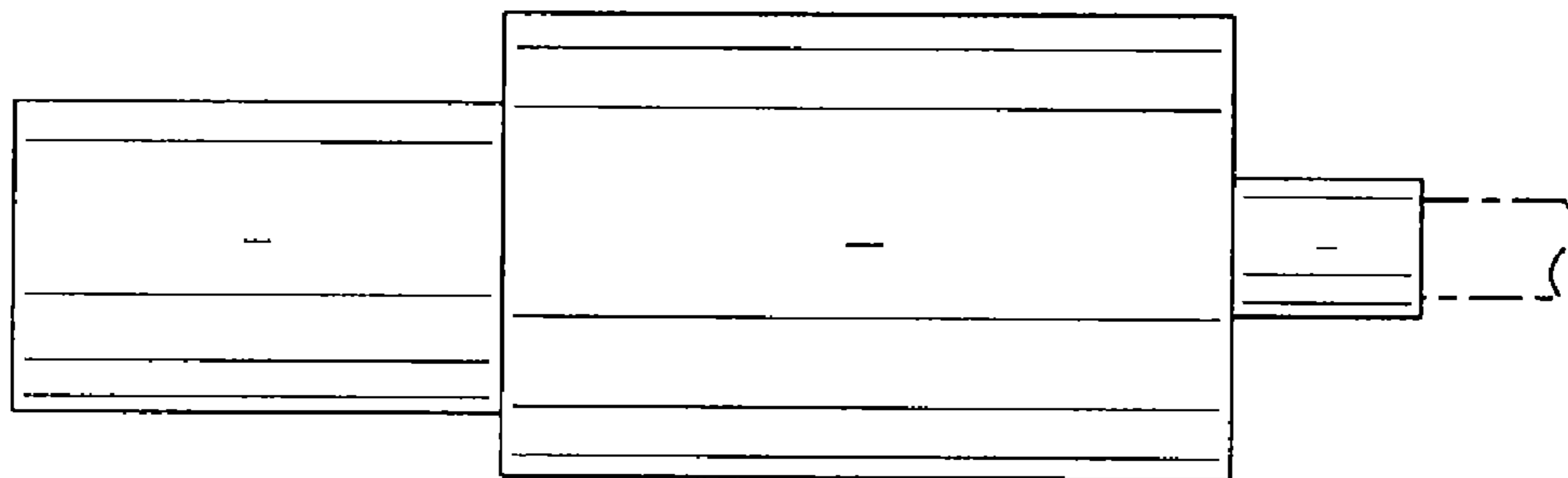


FIG. 5

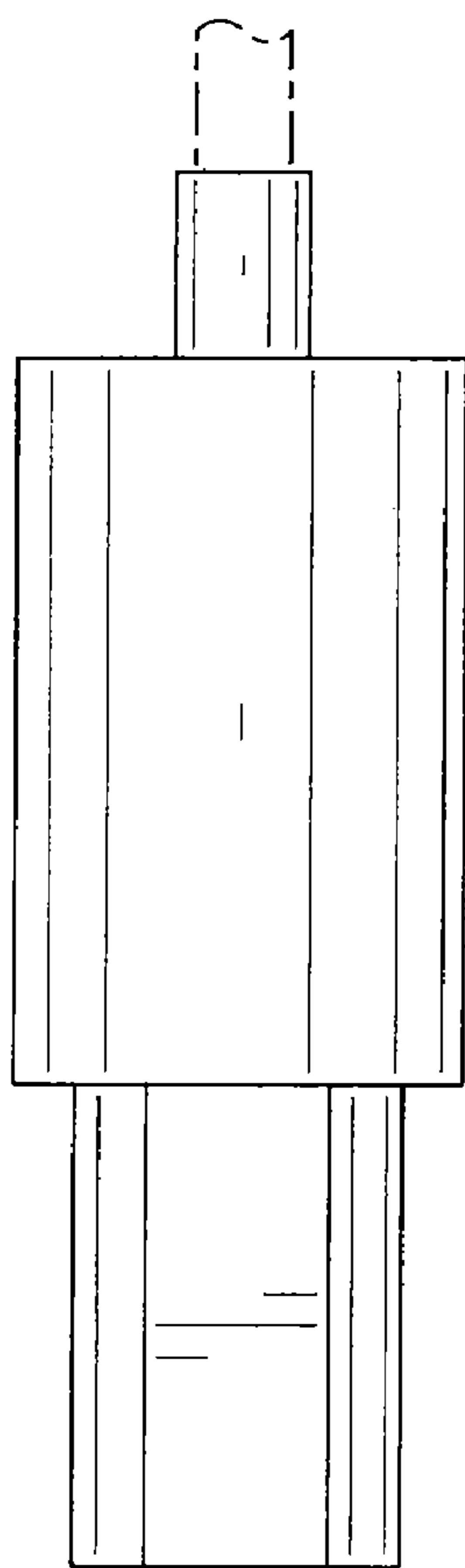


FIG. 6

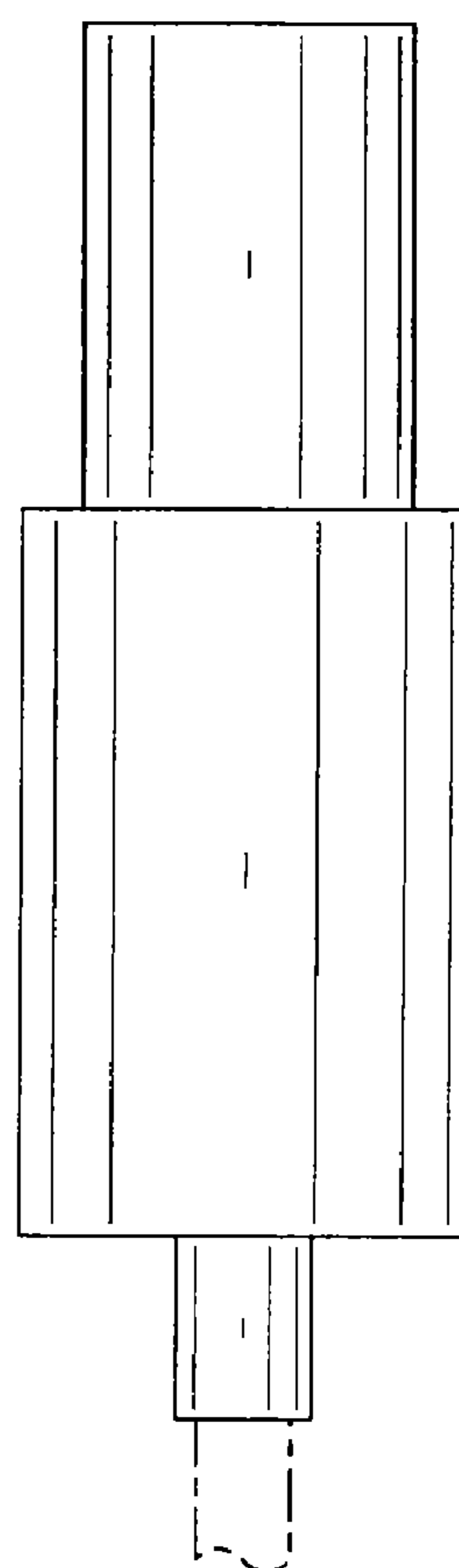


FIG. 7

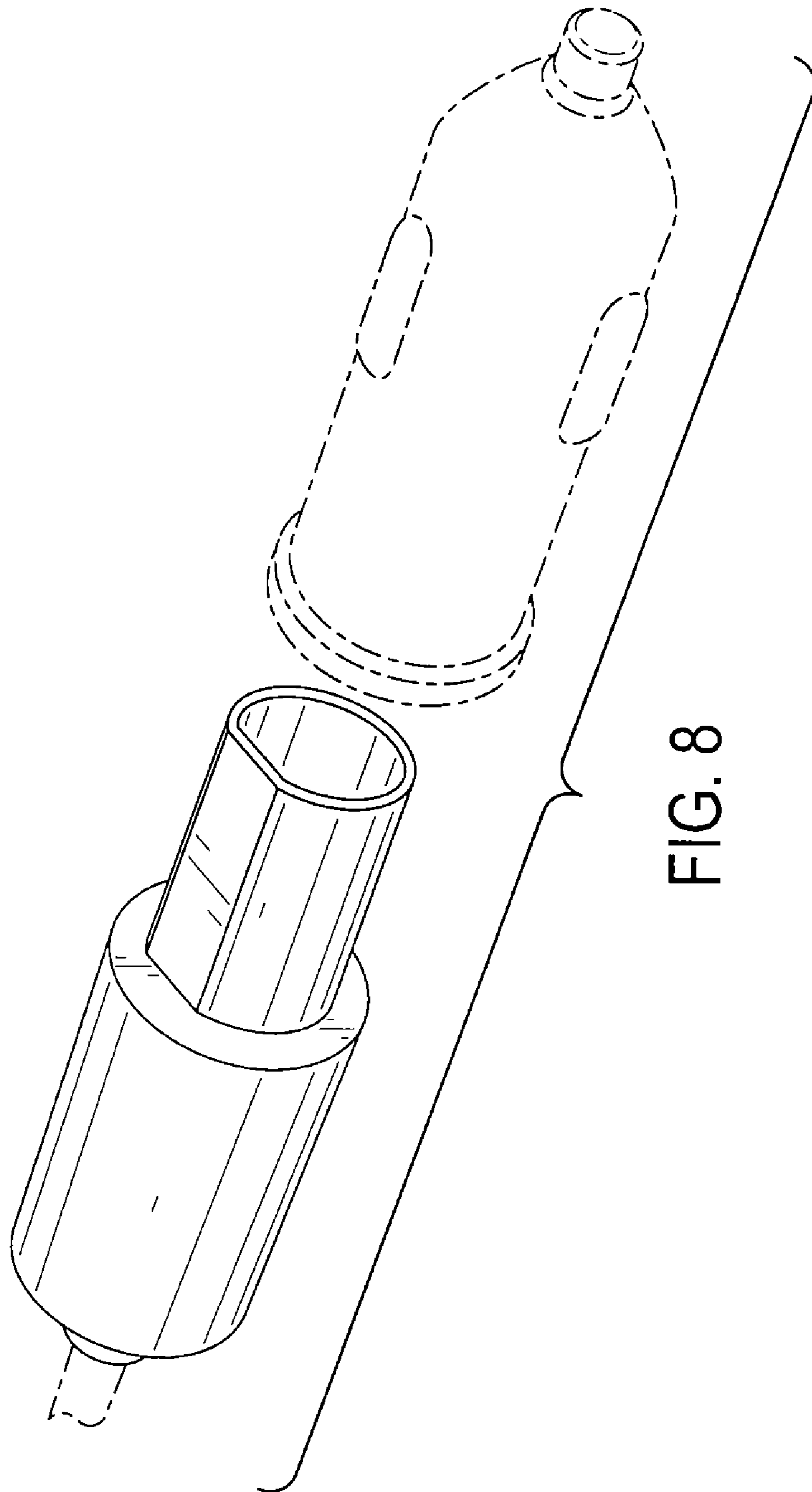


FIG. 8