

US00D595648S

(12) **United States Design Patent**
Lannoch

(10) **Patent No.:** **US D595,648 S**

(45) **Date of Patent:** **** Jul. 7, 2009**

(54) **MOTOR**

(75) Inventor: **Hans-Juergen Lannoch**,
Linkenheim-Hochstetten (DE)

(73) Assignee: **Sew-Eurodrive GmbH & Co. KG**,
Bruchsal (DE)

(**) Term: **14 Years**

(21) Appl. No.: **29/323,964**

(22) Filed: **Sep. 3, 2008**

(30) **Foreign Application Priority Data**

Mar. 4, 2008 (DE) 40 2008 001 260

(51) **LOC (9) Cl.** **13-01**

(52) **U.S. Cl.** **D13/112**

(58) **Field of Classification Search** D13/112,
D13/113, 114, 122, 199; D15/3, 5, 199;
310/10, 40 R, 42, 51, 58, 85, 89, 91, 109,
310/236, 239, 254; 318/245, 255

See application file for complete search history.

(56) **References Cited**

U.S. PATENT DOCUMENTS

D137,665 S * 4/1944 Heintz D13/113
D207,401 S * 4/1967 Andrews et al. D13/114
D236,985 S * 9/1975 Baumann D13/114
4,244,098 A * 1/1981 Barcus 29/596
D310,816 S * 9/1990 Sawato et al. D13/112
D314,742 S * 2/1991 Sieber D13/114
D336,890 S * 6/1993 Hirose et al. D13/112
5,543,671 A * 8/1996 Williams 310/71

D386,744 S * 11/1997 Urvoy D13/112
D424,516 S * 5/2000 Friedrichsen D13/112

* cited by examiner

Primary Examiner—Prabhakar Deshmukh

Assistant Examiner—Derrick Holland

(74) *Attorney, Agent, or Firm*—Kenyon & Kenyon LLP

(57) **CLAIM**

The ornamental design for a motor, as shown and described.

DESCRIPTION

The present application is related to U.S. Design patent application Ser. No. 29/323,966, entitled “Housing,” which is being filed in the United States Patent and Trademark Office on the even date herewith, and the present application is related to U.S. Design patent application Ser. No. 29/323,967, entitled “Housing Cover,” which is being filed in the United States Patent and Trademark Office on the even date herewith.

FIG. 1 is a perspective view of a motor showing my new design;

FIG. 2 is a front view thereof;

FIG. 3 is a left side view thereof;

FIG. 4 is a rear view thereof;

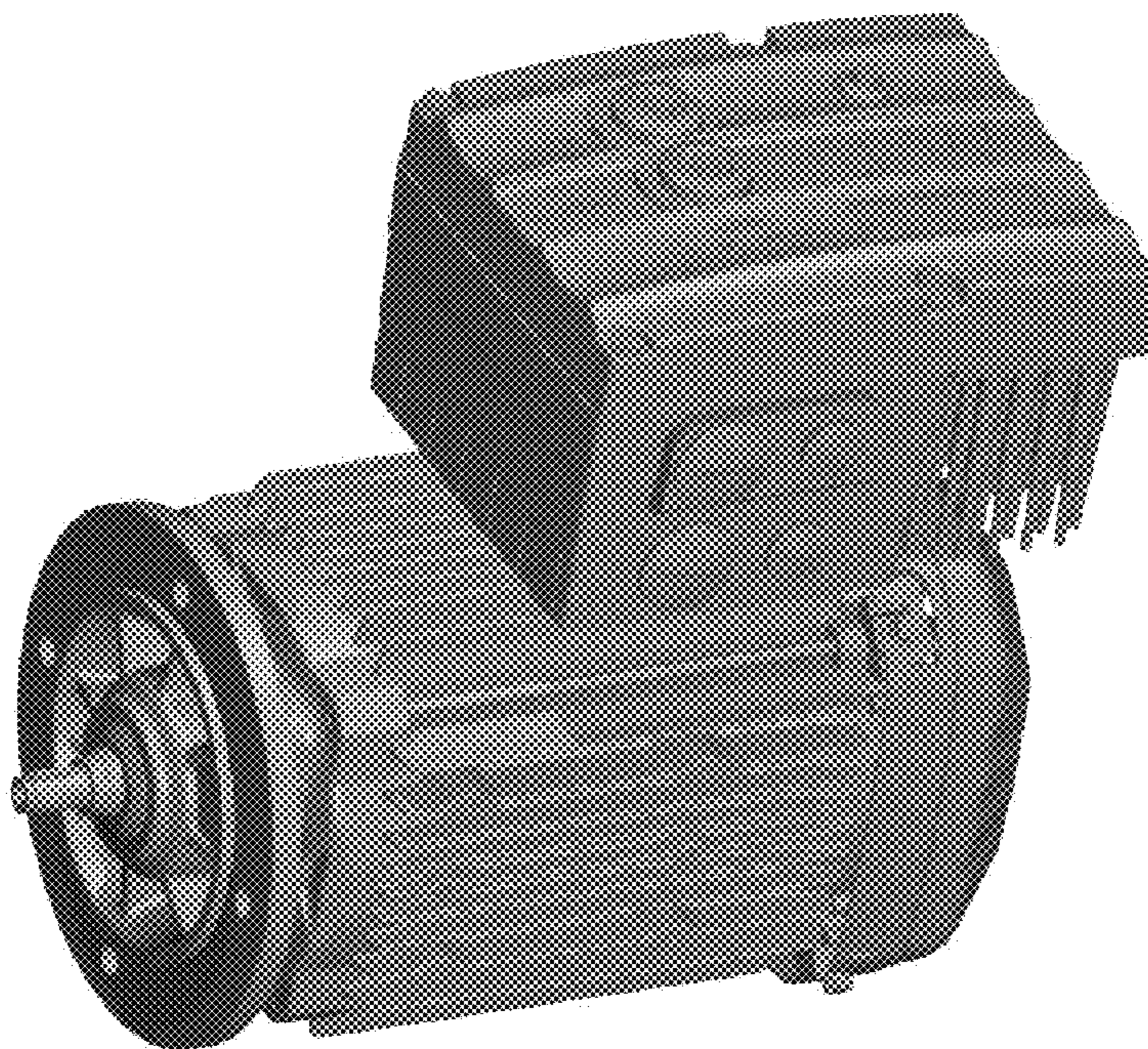
FIG. 5 is a right side view thereof;

FIG. 6 is a top view thereof; and,

FIG. 7 is a bottom view thereof.

The Figures include an illustration of the logo, “SEW,” and other written matter, which is shown for illustrative purposes and forms no part of the claimed design.

1 Claim, 7 Drawing Sheets



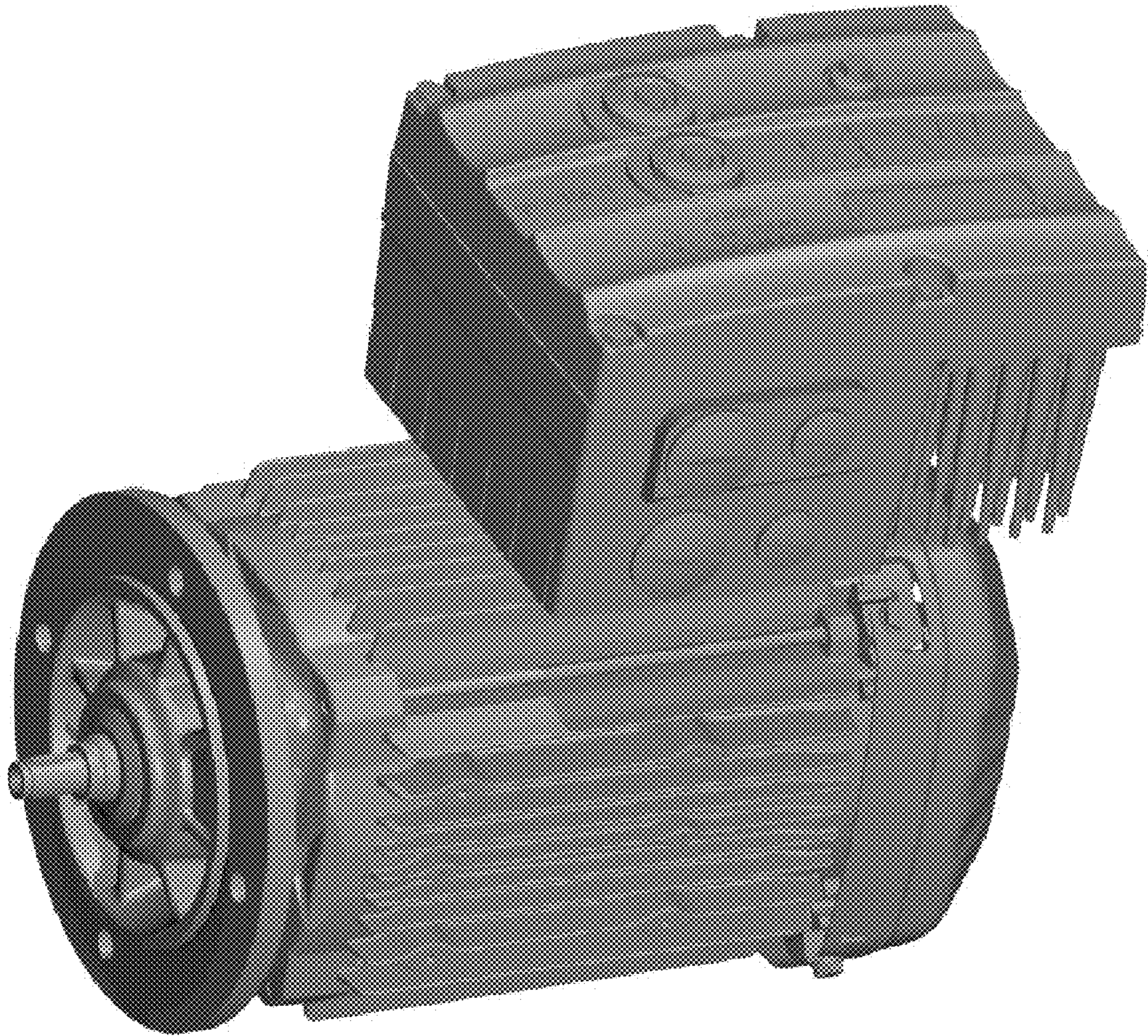


Fig. 1

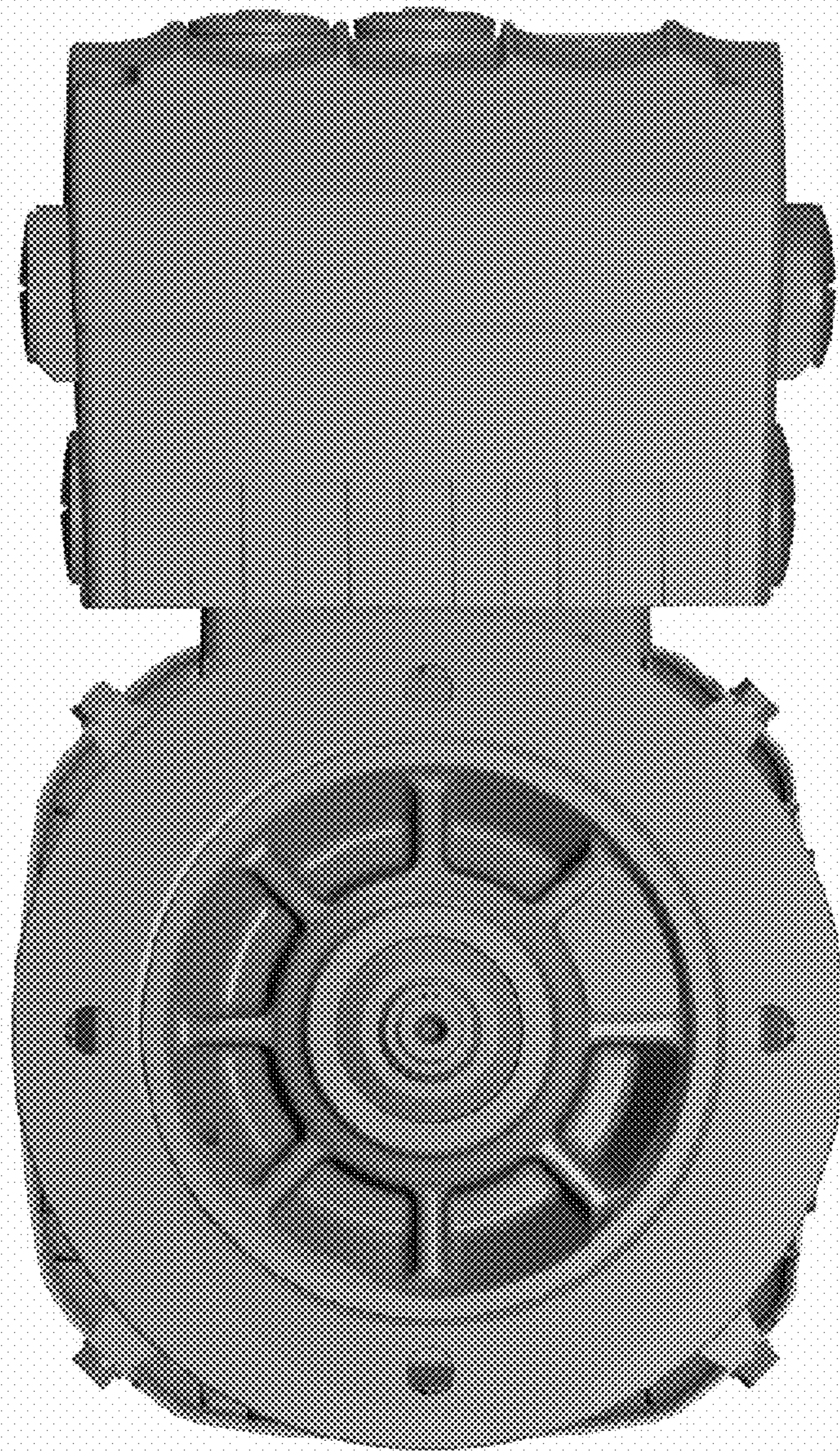


Fig. 2

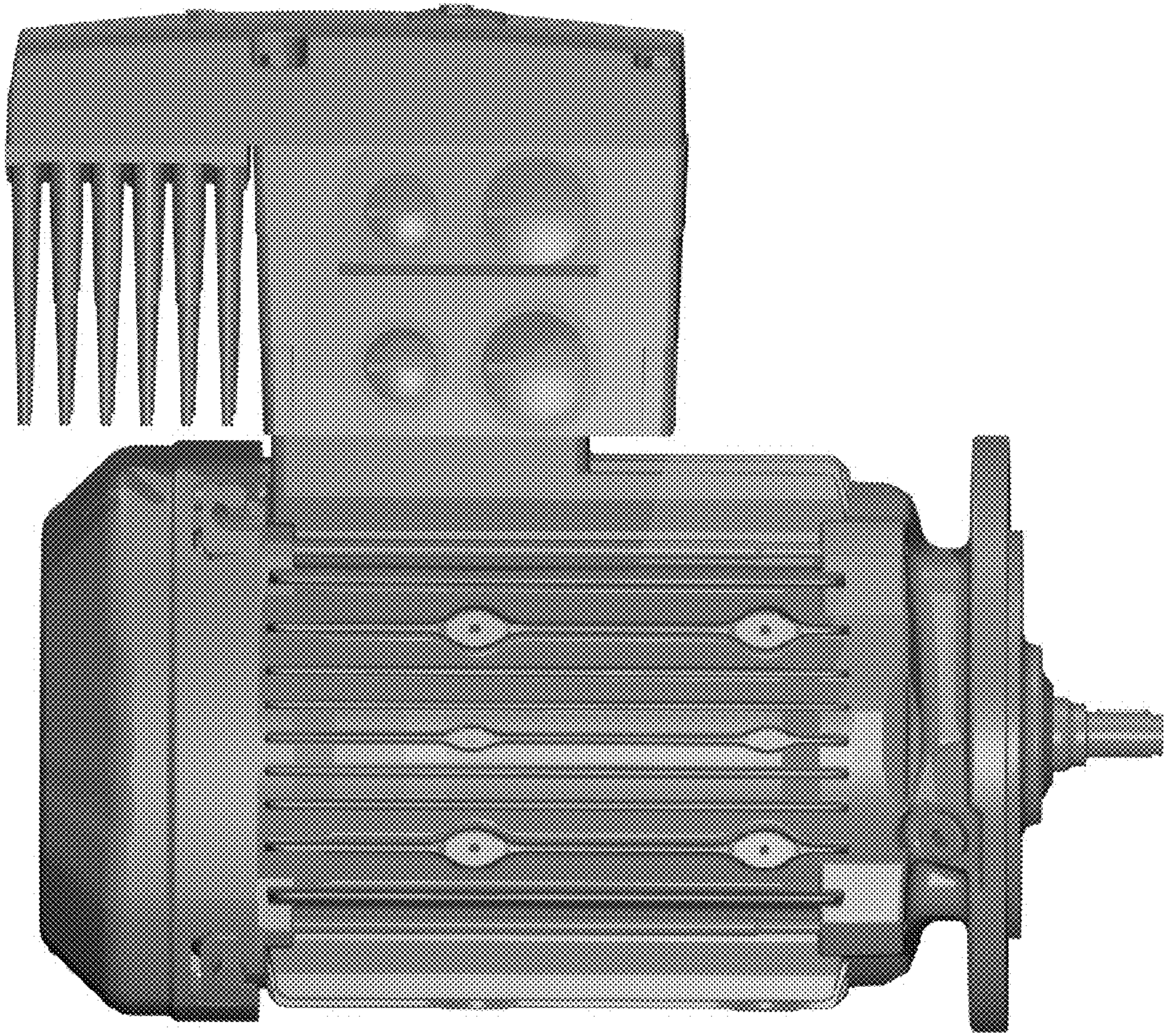


Fig. 3

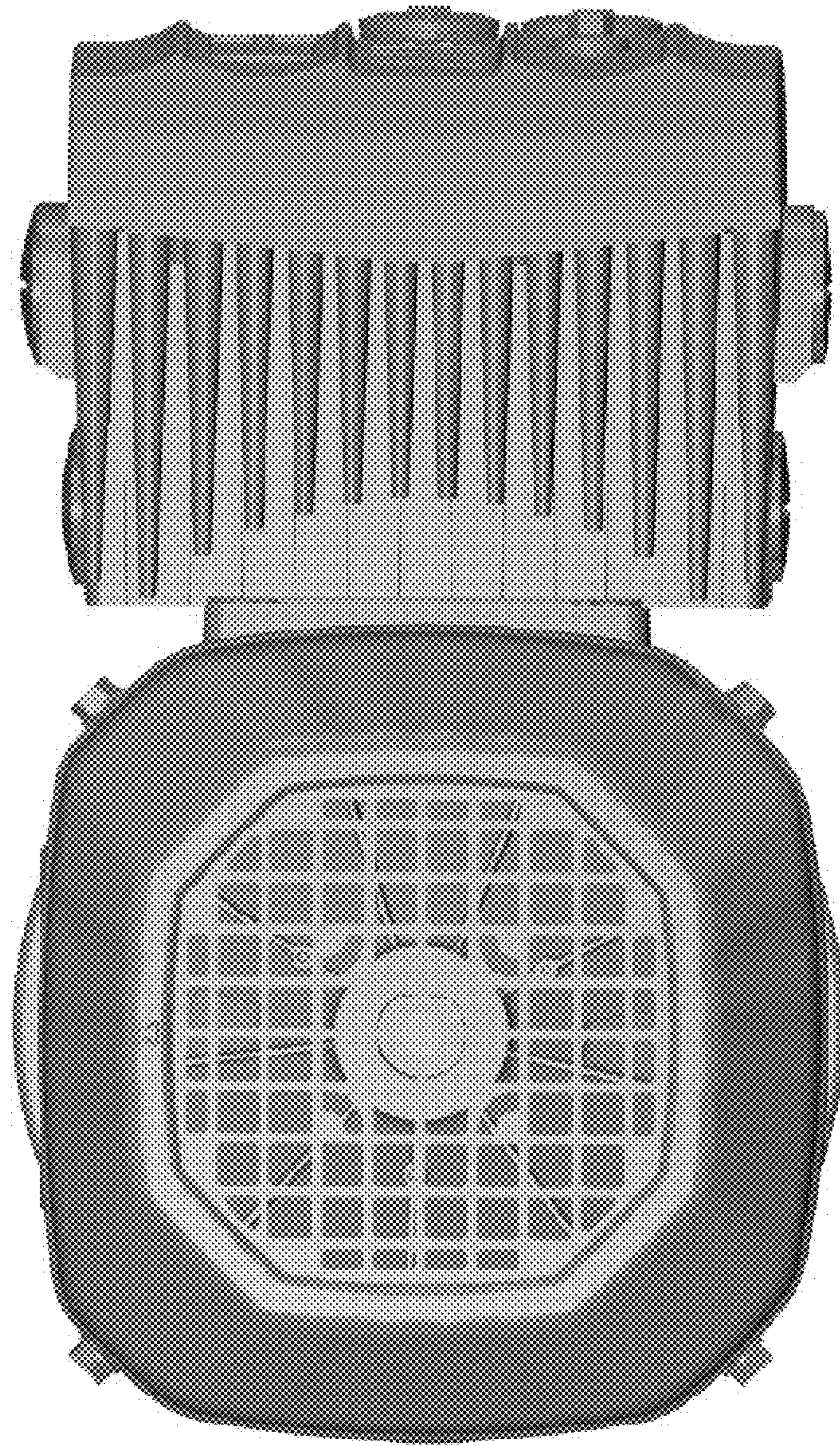


Fig. 4

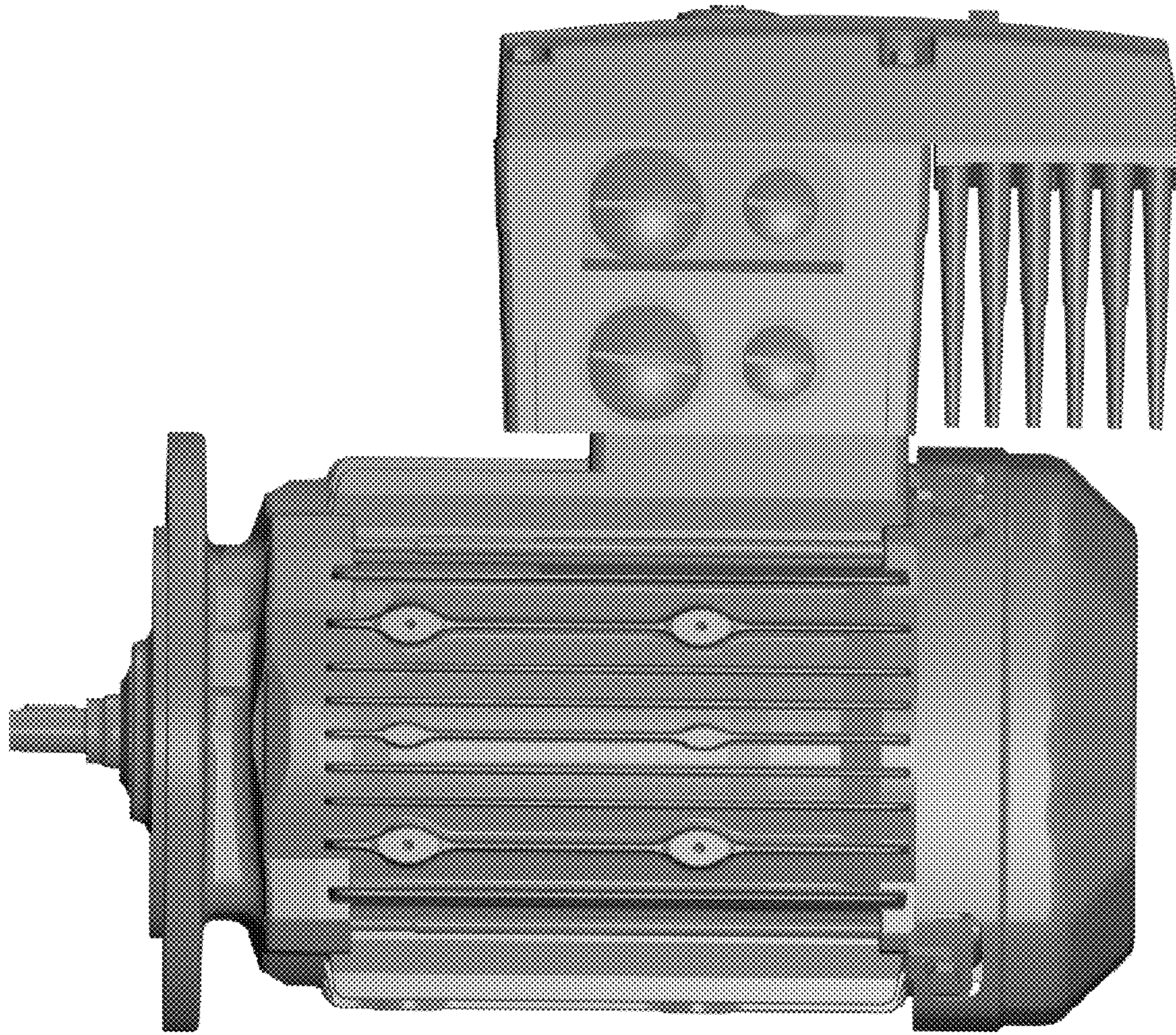


Fig. 5

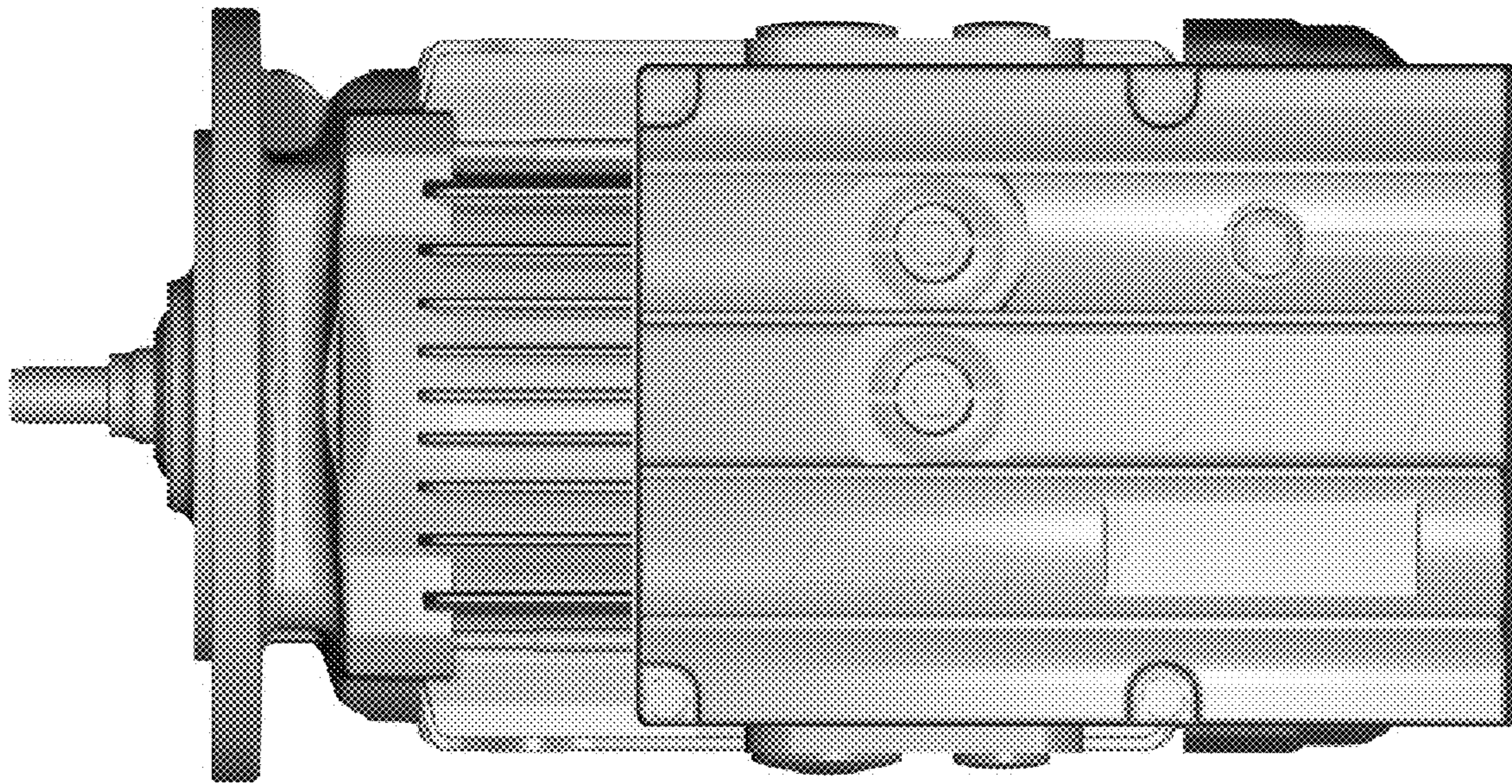


Fig. 6

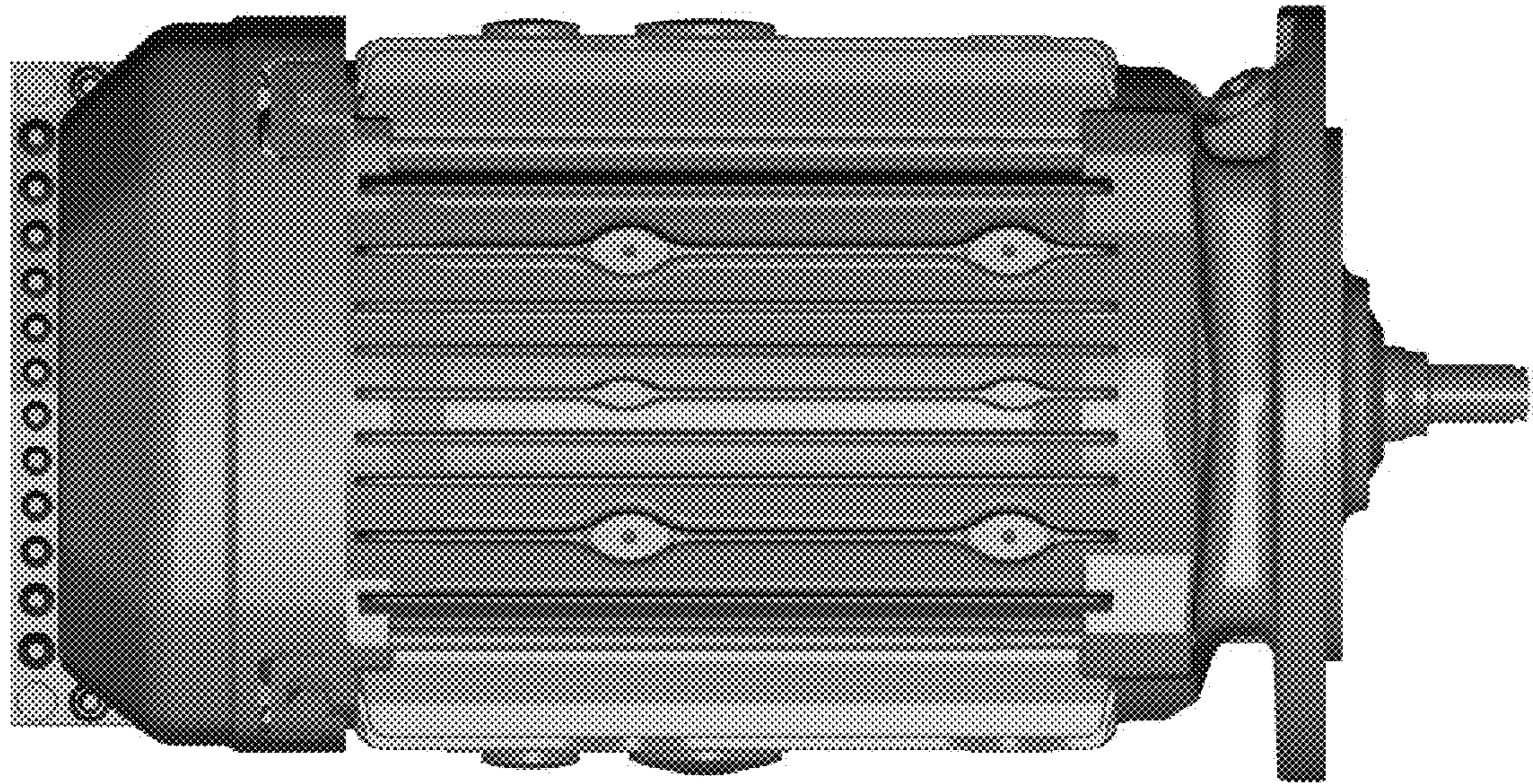


Fig. 7