



US00D595644S

(12) **United States Design Patent**
Fowler

(10) **Patent No.:** **US D595,644 S**
(45) **Date of Patent:** **** Jul. 7, 2009**

(54) **SOLAR-POWERED HEADSET**

(75) Inventor: **David Fowler**, Portland (GB)

(73) Assignee: **Better Energy Systems, Ltd.**, Berkeley, CA (US)

(**) Term: **14 Years**

(21) Appl. No.: **29/296,154**

(22) Filed: **Oct. 15, 2007**

(51) **LOC (9) Cl.** **13-02**

(52) **U.S. Cl.** **D13/102**

(58) **Field of Classification Search** D13/102,
D13/107, 108, 199; D14/205, 206, 223;
136/244, 245, 252; 257/431; 320/101, 102;
381/380, 381; 385/900

See application file for complete search history.

(56) **References Cited**

U.S. PATENT DOCUMENTS

D353,129 S * 12/1994 Ricaud et al. D13/102

(Continued)

Primary Examiner—Prabhakar Deshmukh

Assistant Examiner—Derrick Holland

(74) *Attorney, Agent, or Firm*—Foley & Lardner LLP;
Richard W. Thill

(57) **CLAIM**

The ornamental design for a solar-powered headset, as shown and described.

DESCRIPTION

FIG. 1 is a top plan view of a solar-powered headset showing my new design in a closed configuration;

FIG. 2 is a top and side perspective view thereof, in a closed configuration;

FIG. 3 is a top and side perspective view thereof, from the opposite side of FIG. 2, in a closed configuration;

FIG. 4 is a bottom plan view thereof, in a closed configuration;

FIG. 5 is a bottom and side perspective view thereof, in a closed configuration;

FIG. 6 is a bottom and side perspective view thereof, from the opposite side of FIG. 5, in a closed configuration;

FIG. 7 is a rear elevation view thereof, in a closed configuration;

FIG. 8 is a front elevation view thereof, in a closed configuration;

FIG. 9 is a side elevation view thereof, in a closed configuration;

FIG. 10 is another side elevation view thereof, in a closed configuration;

FIG. 11 is a top plan view thereof, in an open configuration;

FIG. 12 is a top and side perspective view thereof, in an open configuration;

FIG. 13 is a top and side perspective view thereof, from the opposite side of FIG. 12, in an open configuration;

FIG. 14 is a bottom plan view thereof, in an open configuration;

FIG. 15 is a bottom and side perspective view thereof, in an open configuration;

FIG. 16 is a bottom and side perspective view thereof, from the opposite side of FIG. 15, in an open configuration;

FIG. 17 is a rear elevation view thereof, in an open configuration;

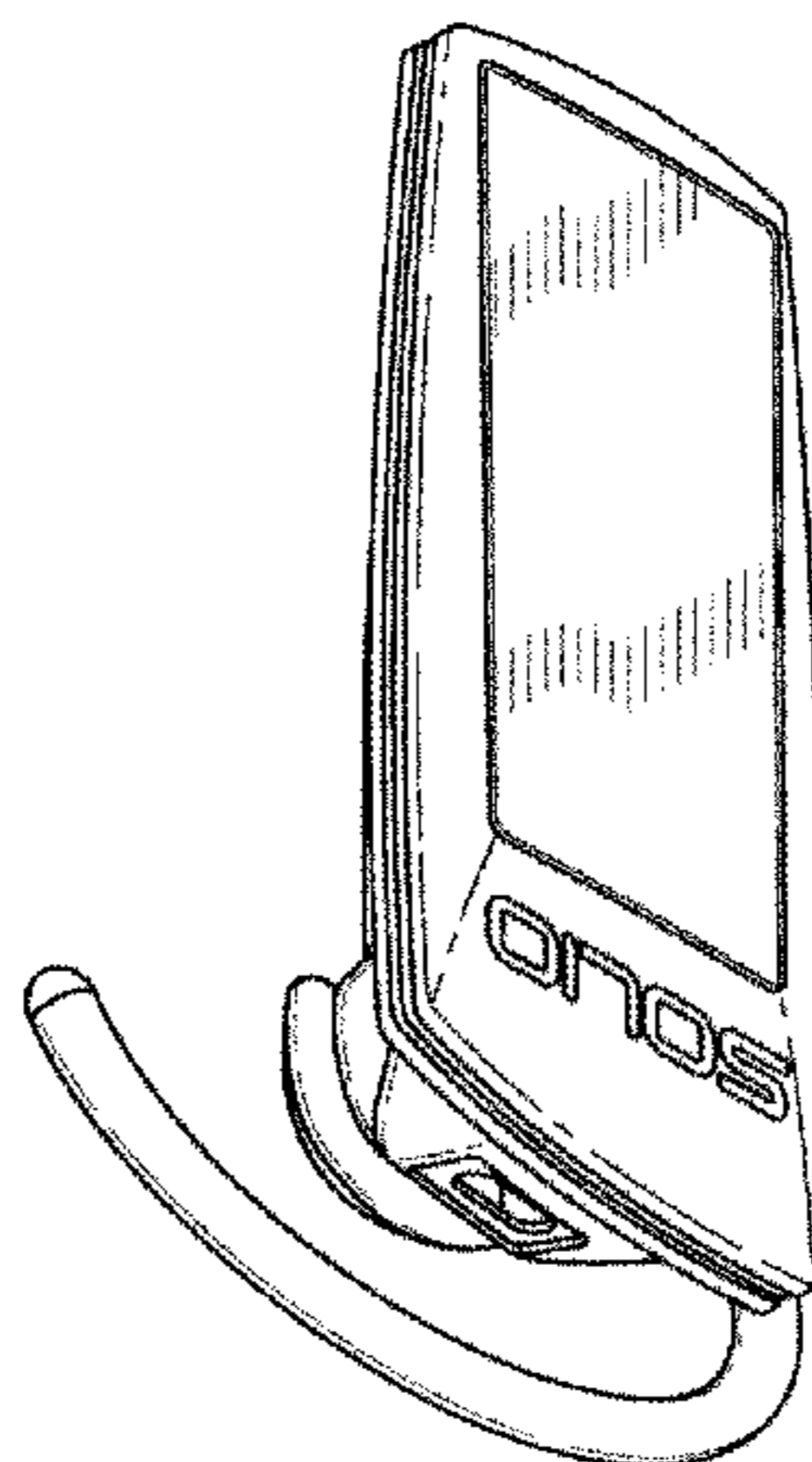
FIG. 18 is a front elevation view thereof, in an open configuration;

FIG. 19 is a side elevation view thereof, in an open configuration; and,

FIG. 20 is another side elevation view thereof, in a closed configuration.

The name SOLIO®, forming part of the claimed design, is a registered trademark owned by Better Energy Systems, LTD.

1 Claim, 10 Drawing Sheets



US D595,644 S

Page 2

U.S. PATENT DOCUMENTS

D421,967 S *	3/2000	Oba et al.	D13/182	D494,570 S *	8/2004	Ma	D14/223
6,130,465 A *	10/2000	Cole	257/431	D504,884 S *	5/2005	Hering	D14/206
D442,139 S *	5/2001	Sasaoka	D13/102	D514,549 S *	2/2006	Rath et al.	D14/223
D457,513 S *	5/2002	Pirelli et al.	D14/223	D528,531 S *	9/2006	Rose et al.	D14/138 R
D479,191 S *	9/2003	Peress et al.	D13/102				

* cited by examiner

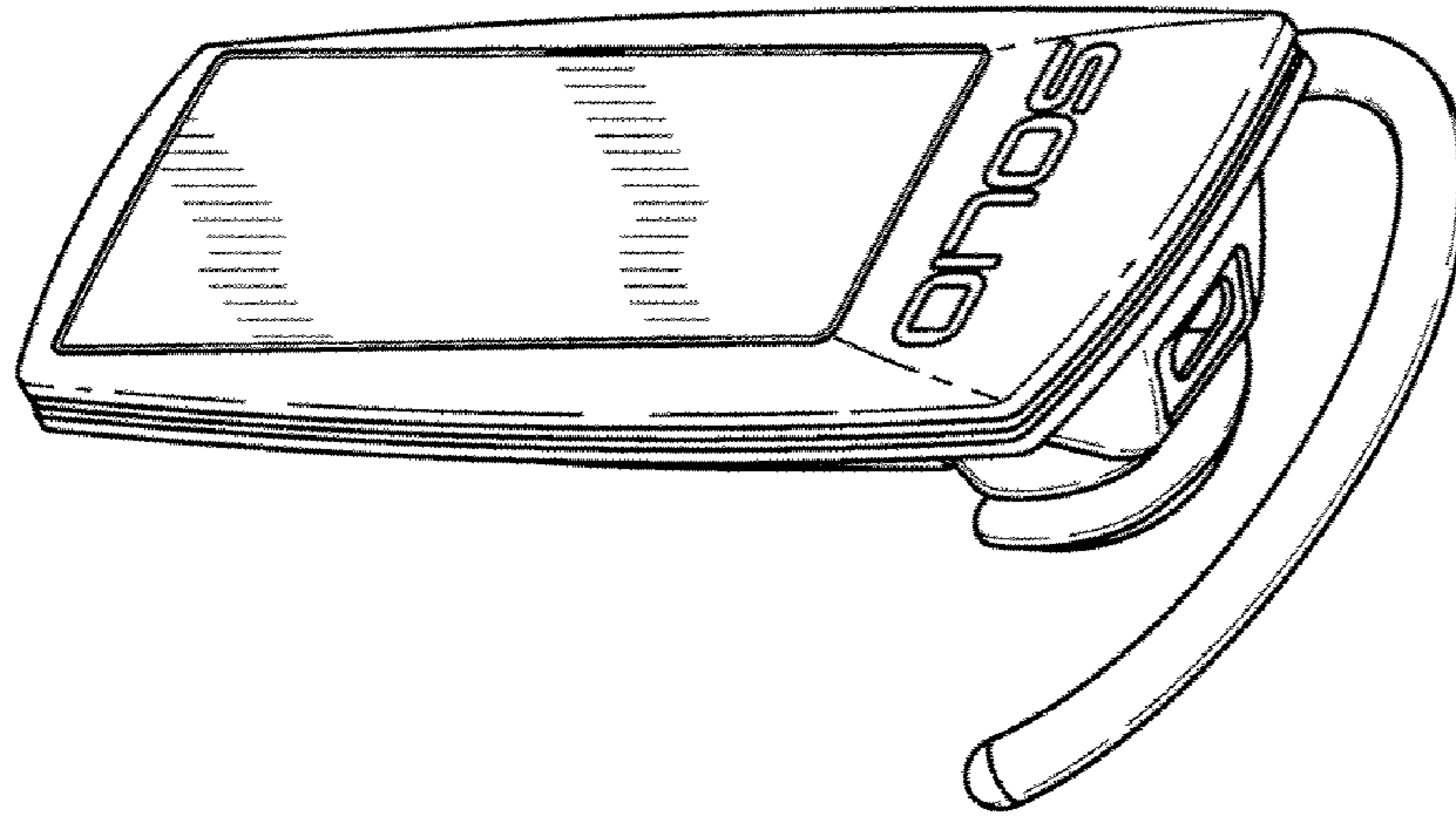


FIG. 2

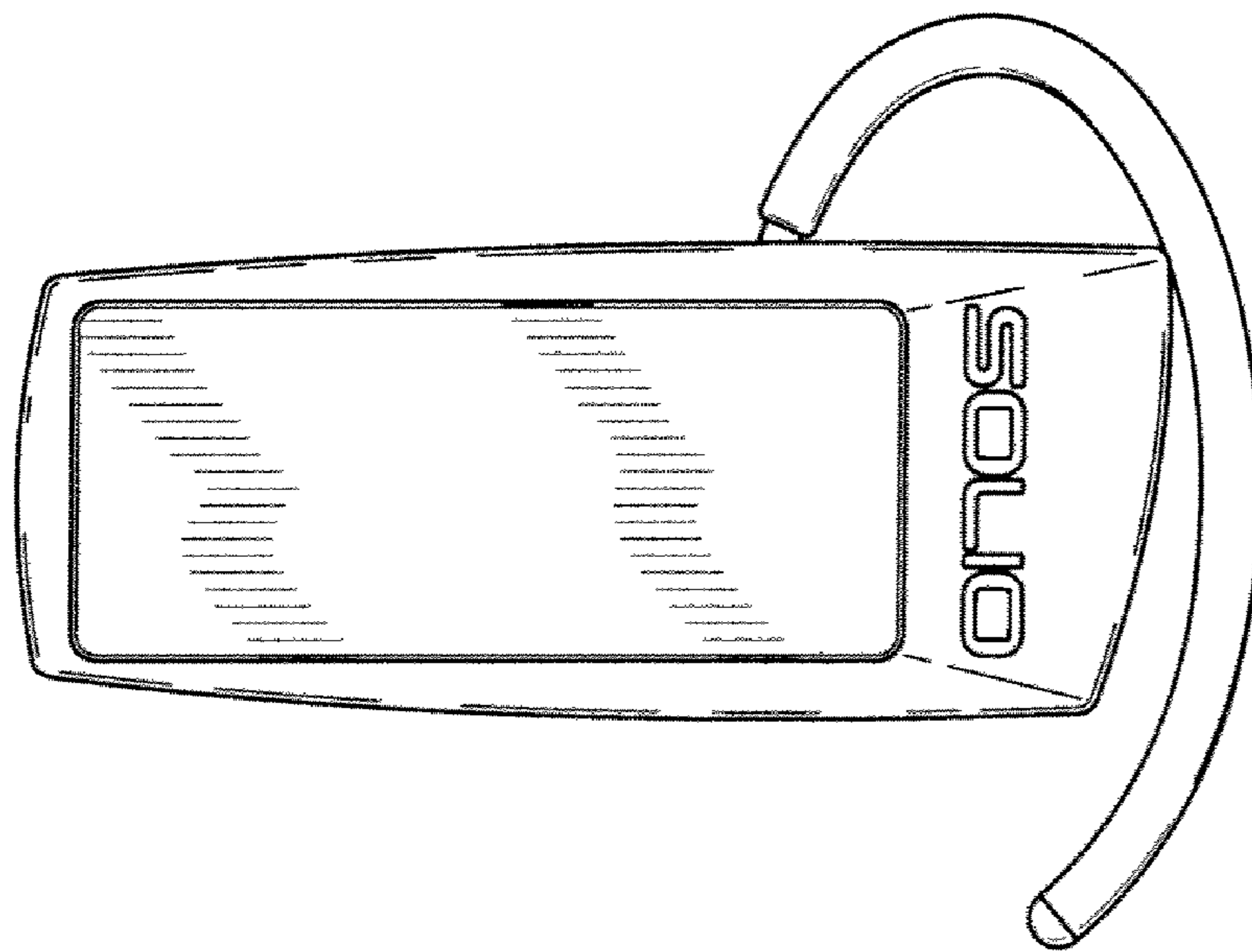


FIG. 1

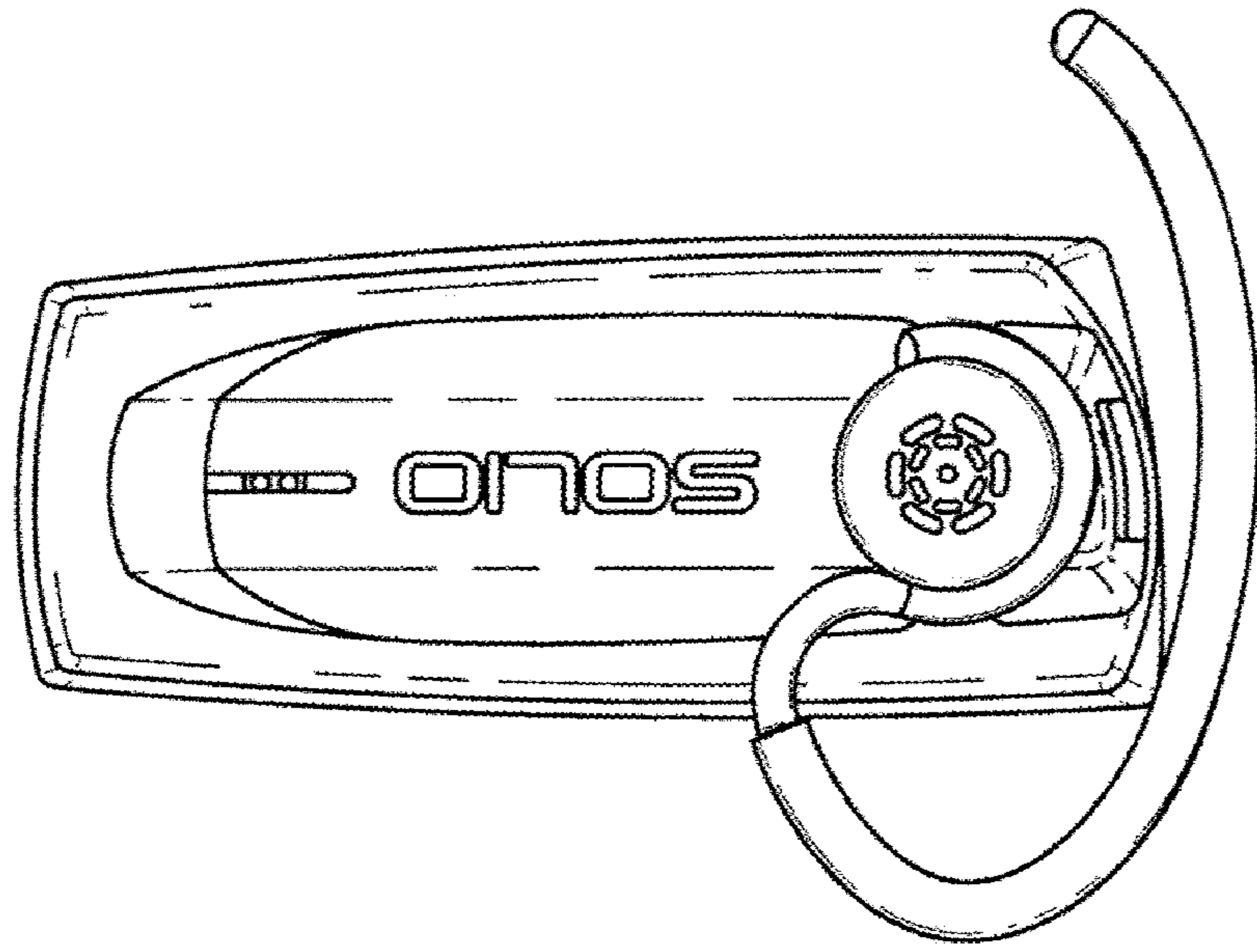


FIG. 4

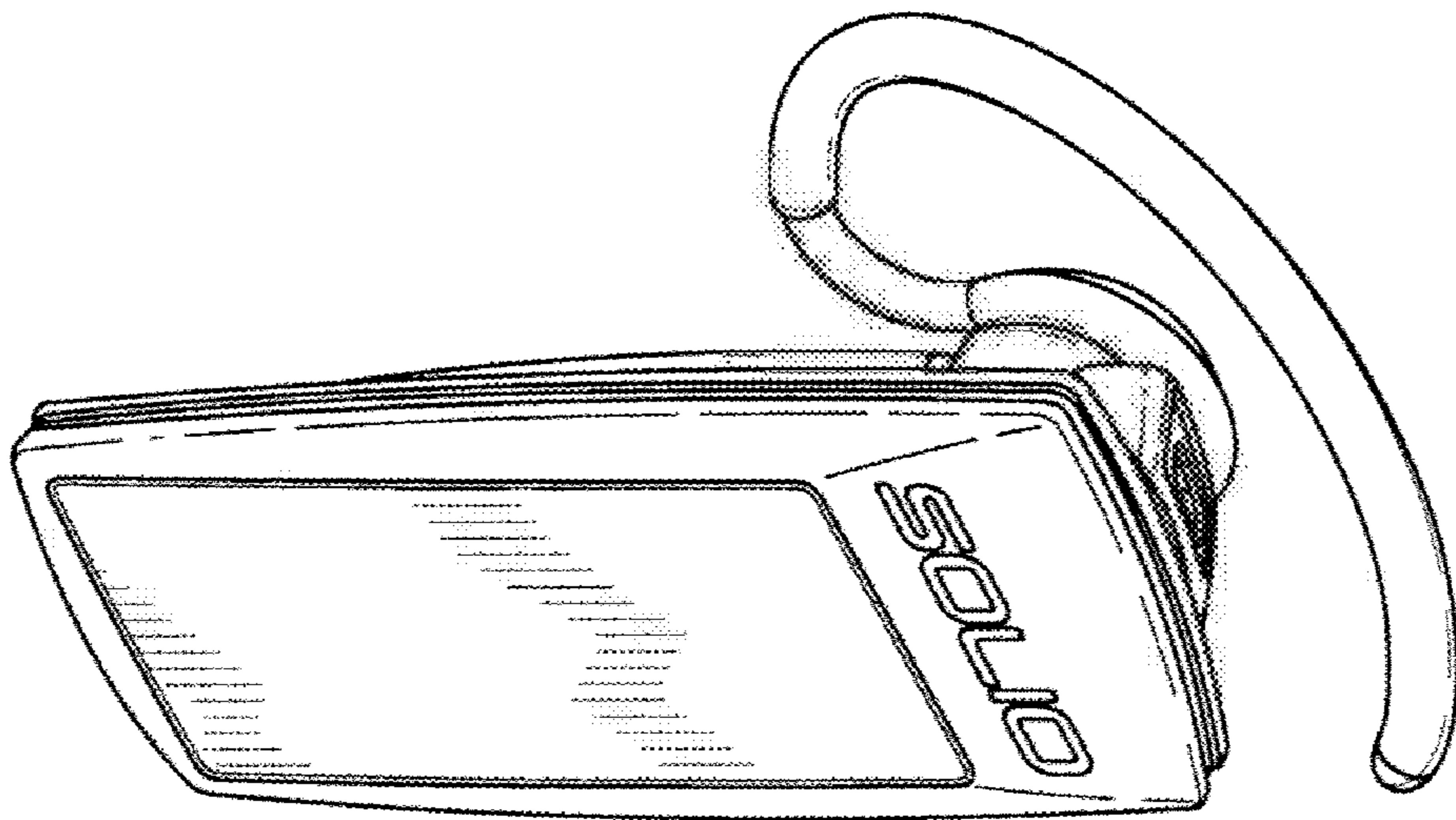


FIG. 3

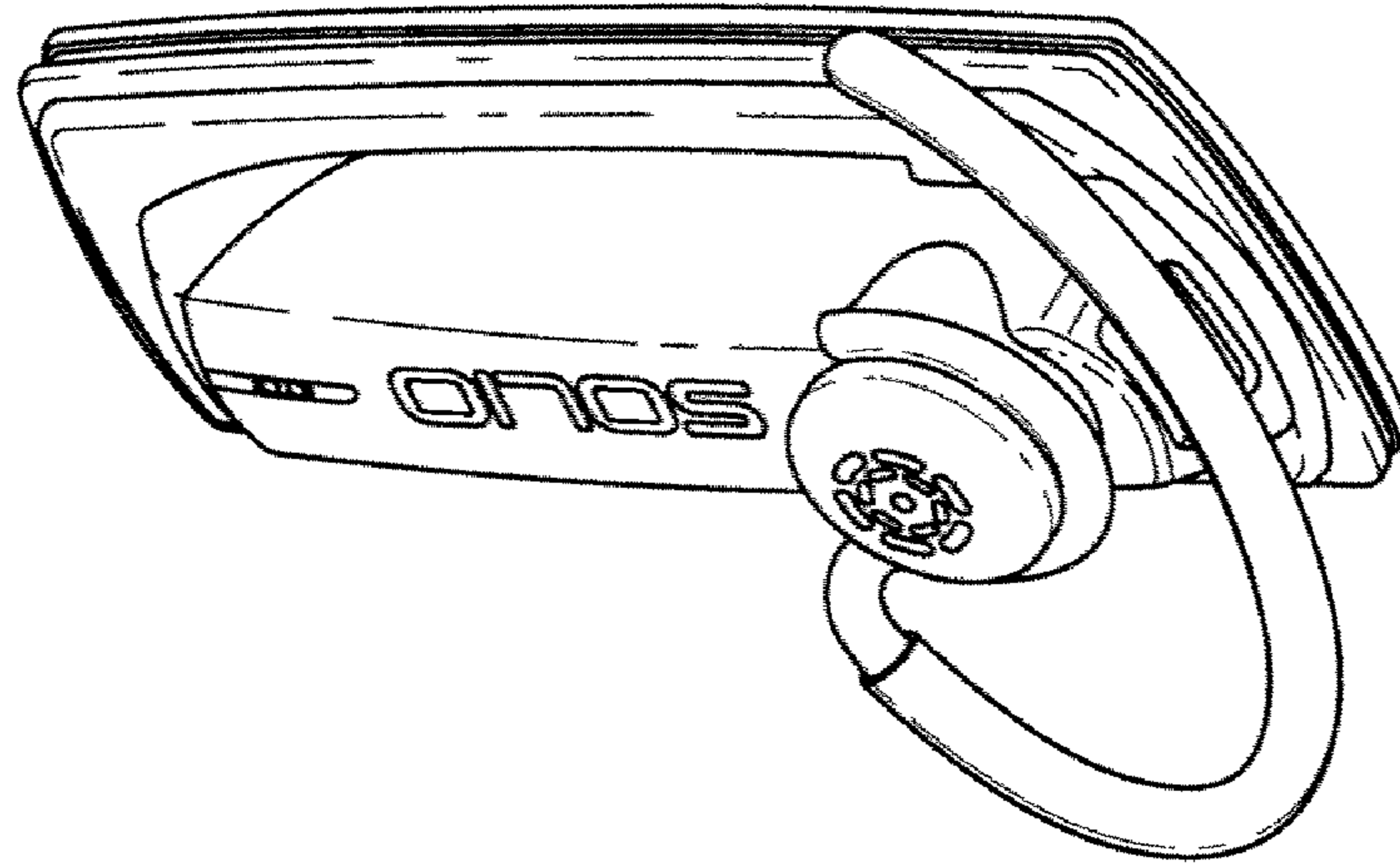


FIG. 6

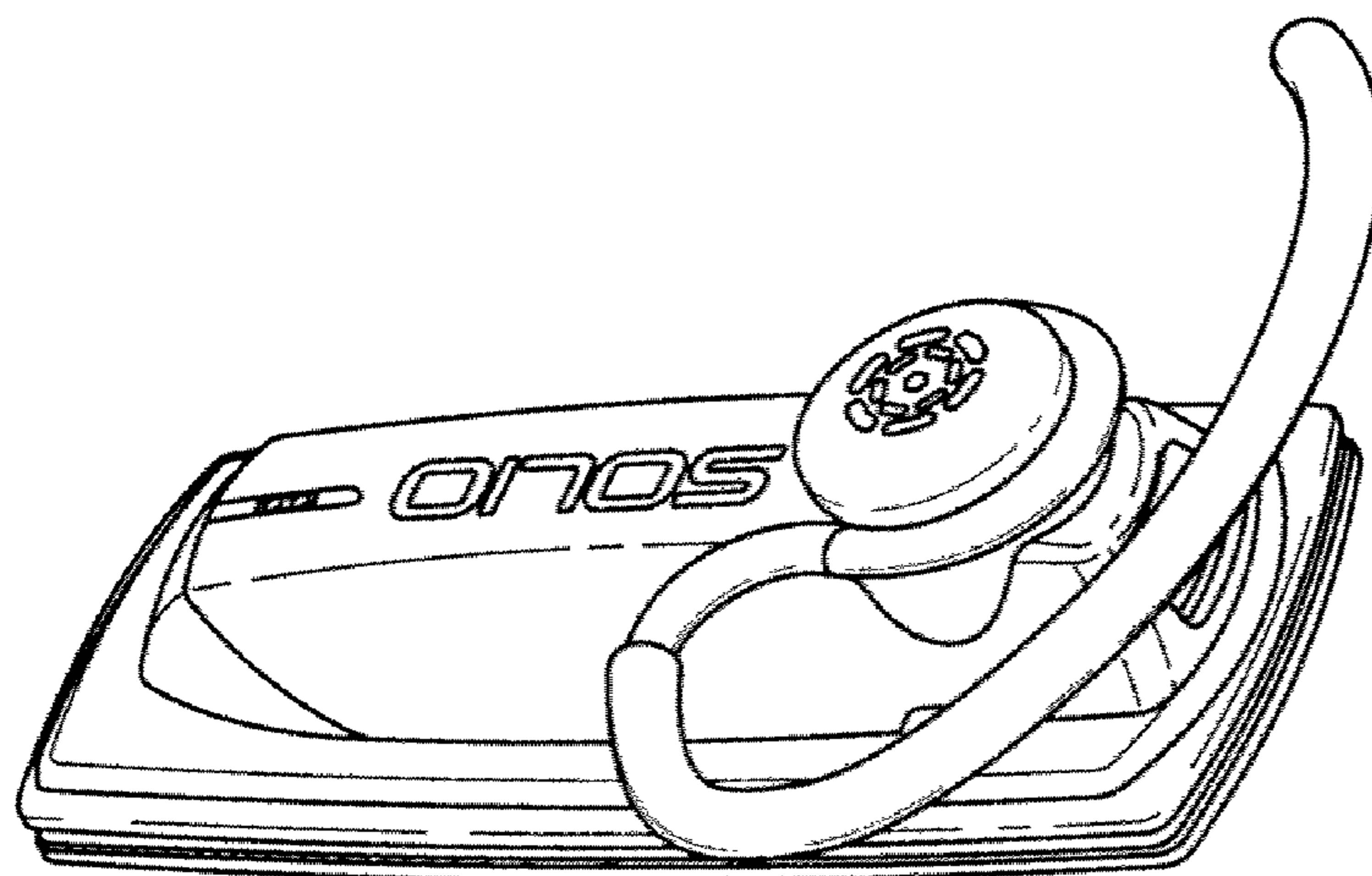


FIG. 5

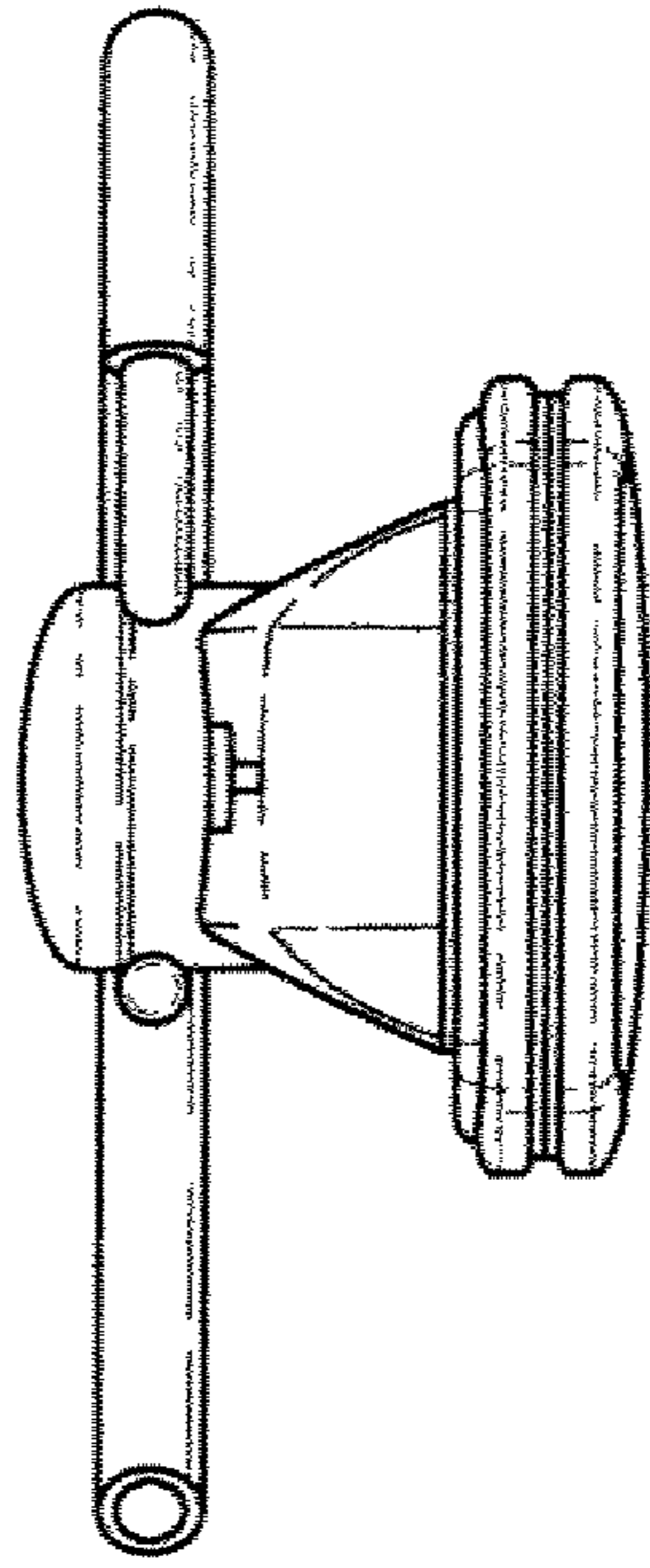


FIG. 7

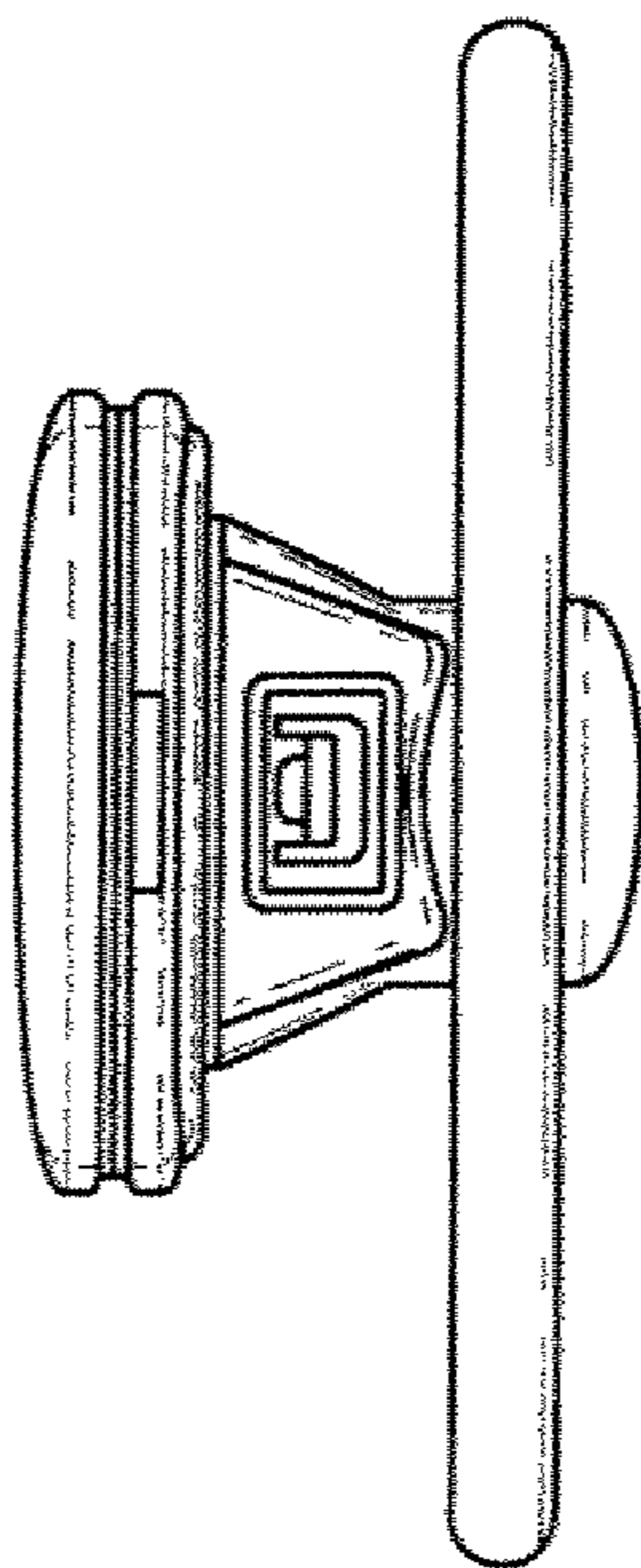


FIG. 8

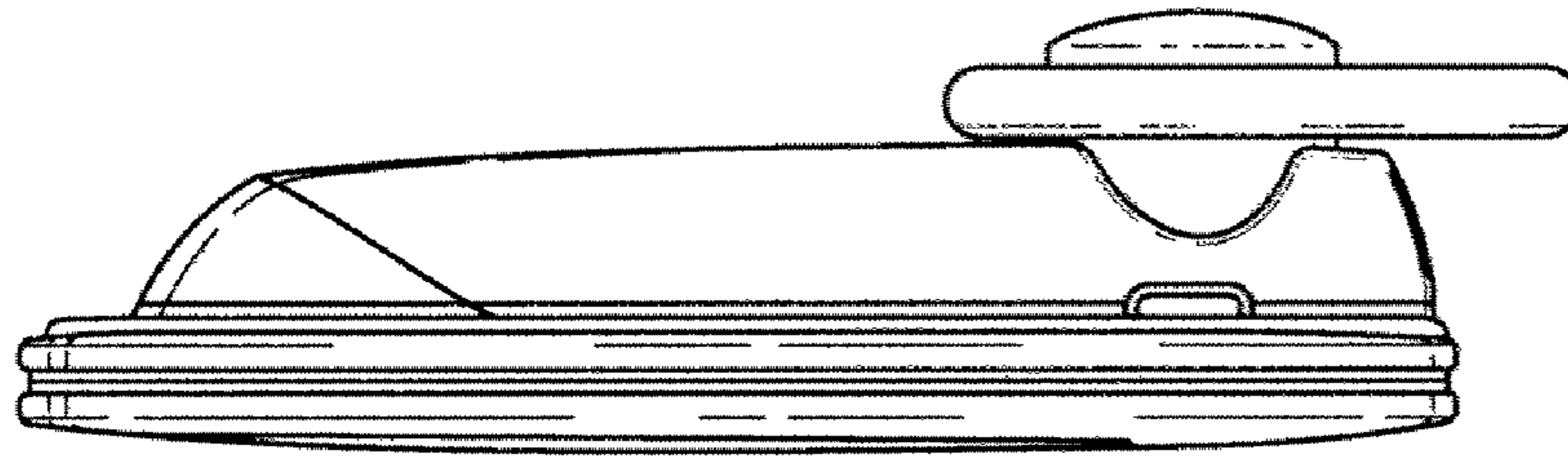


FIG. 10

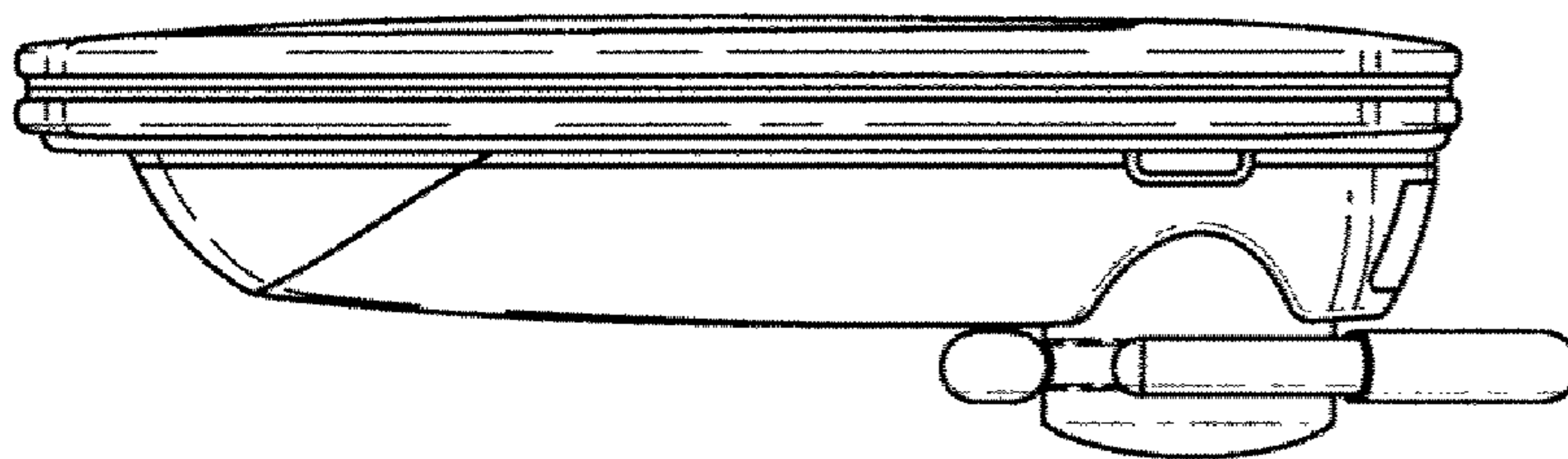


FIG. 9

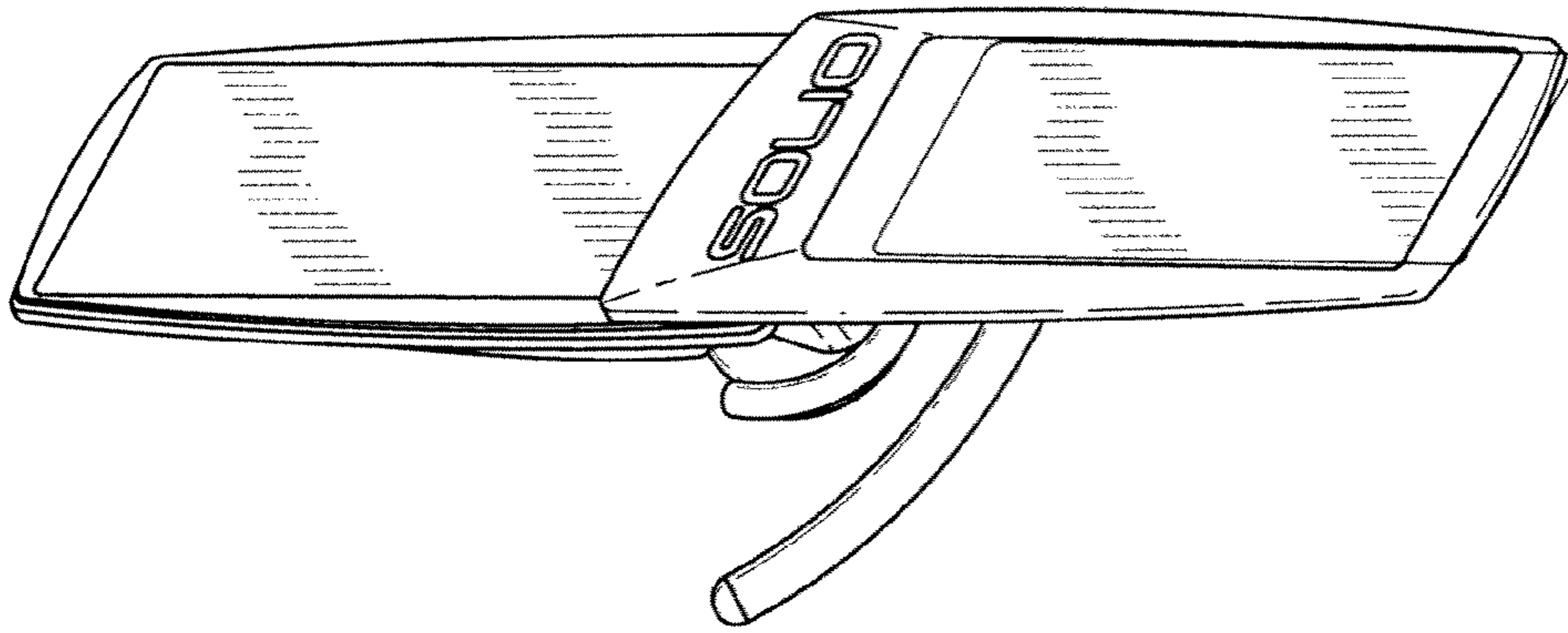


FIG. 12

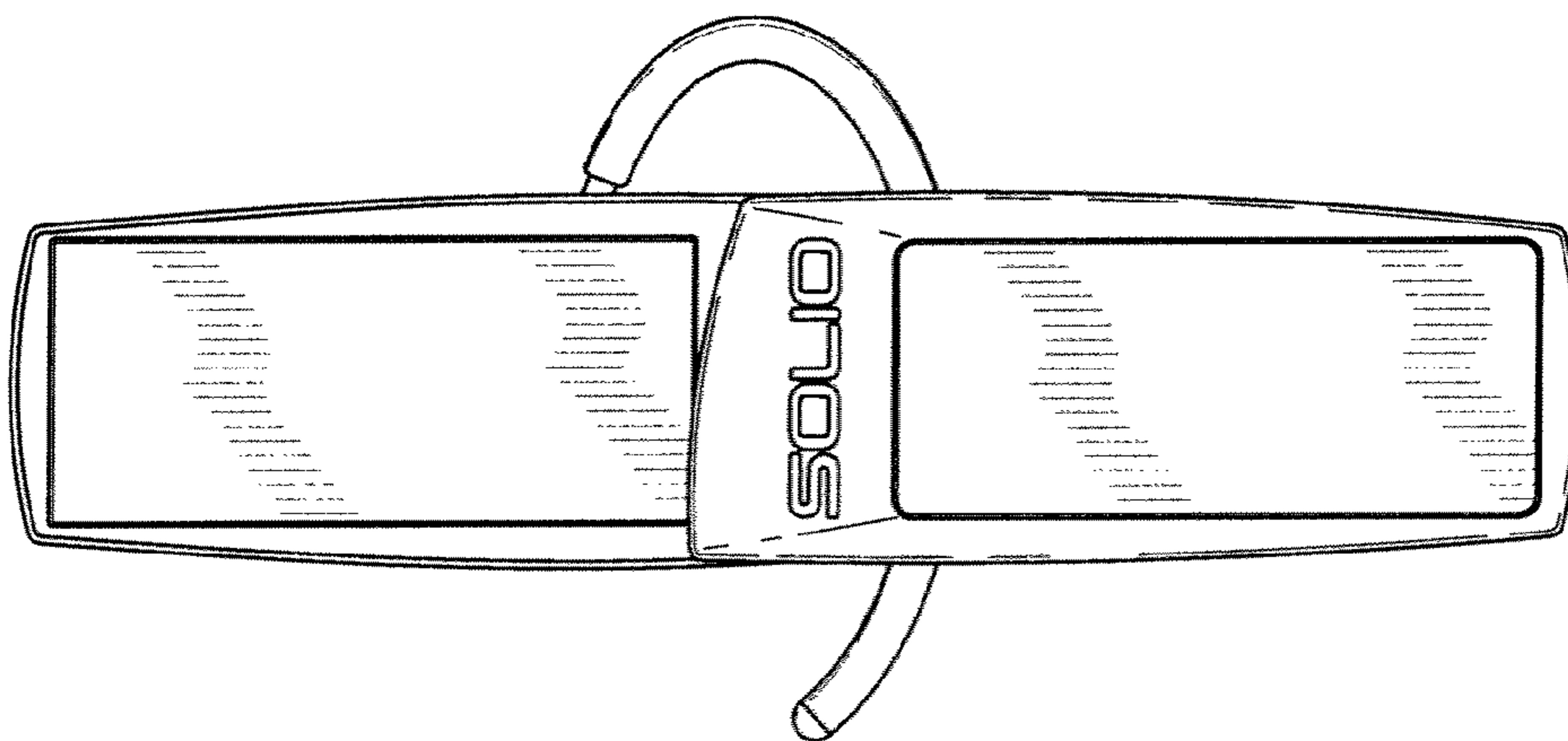


FIG. 11

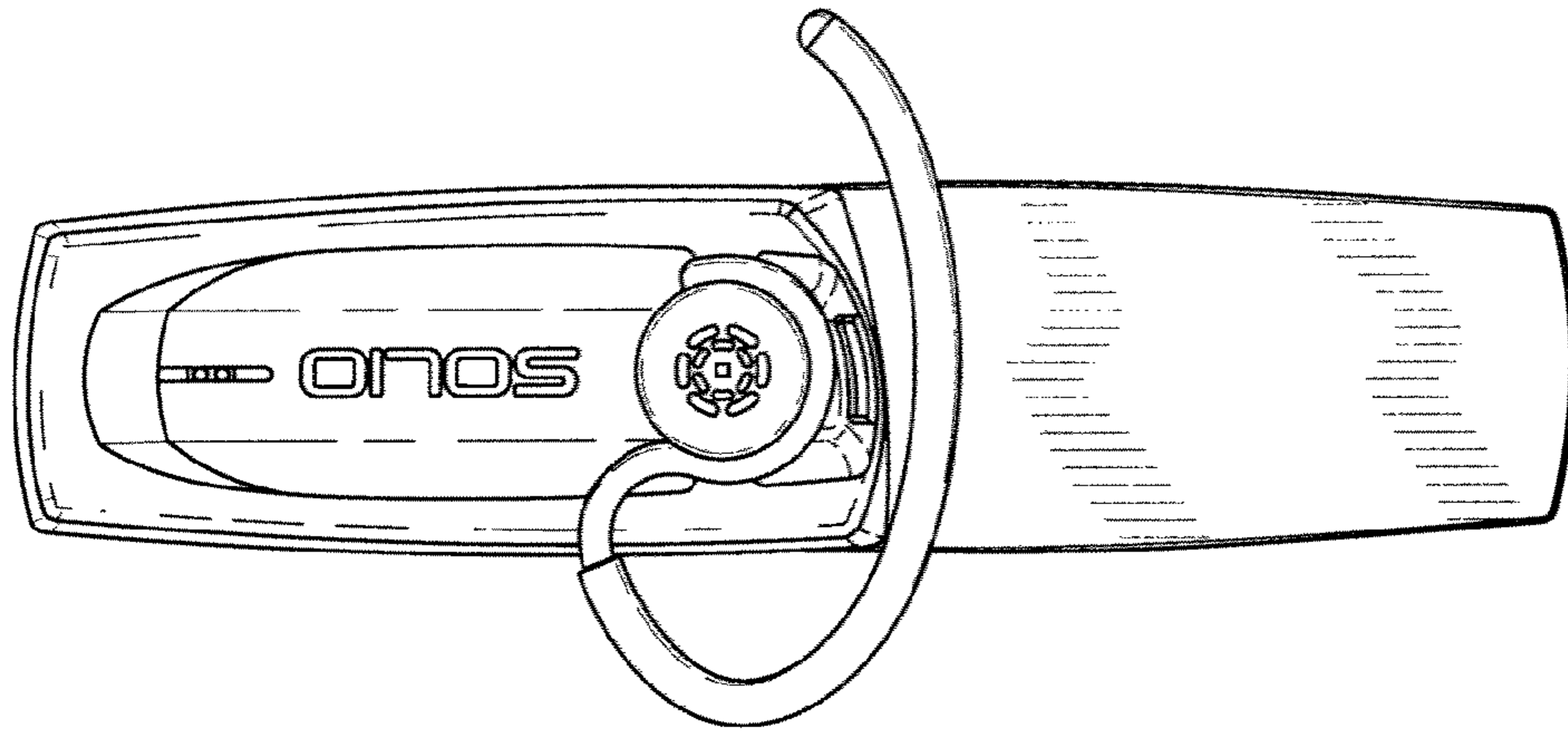


FIG. 14

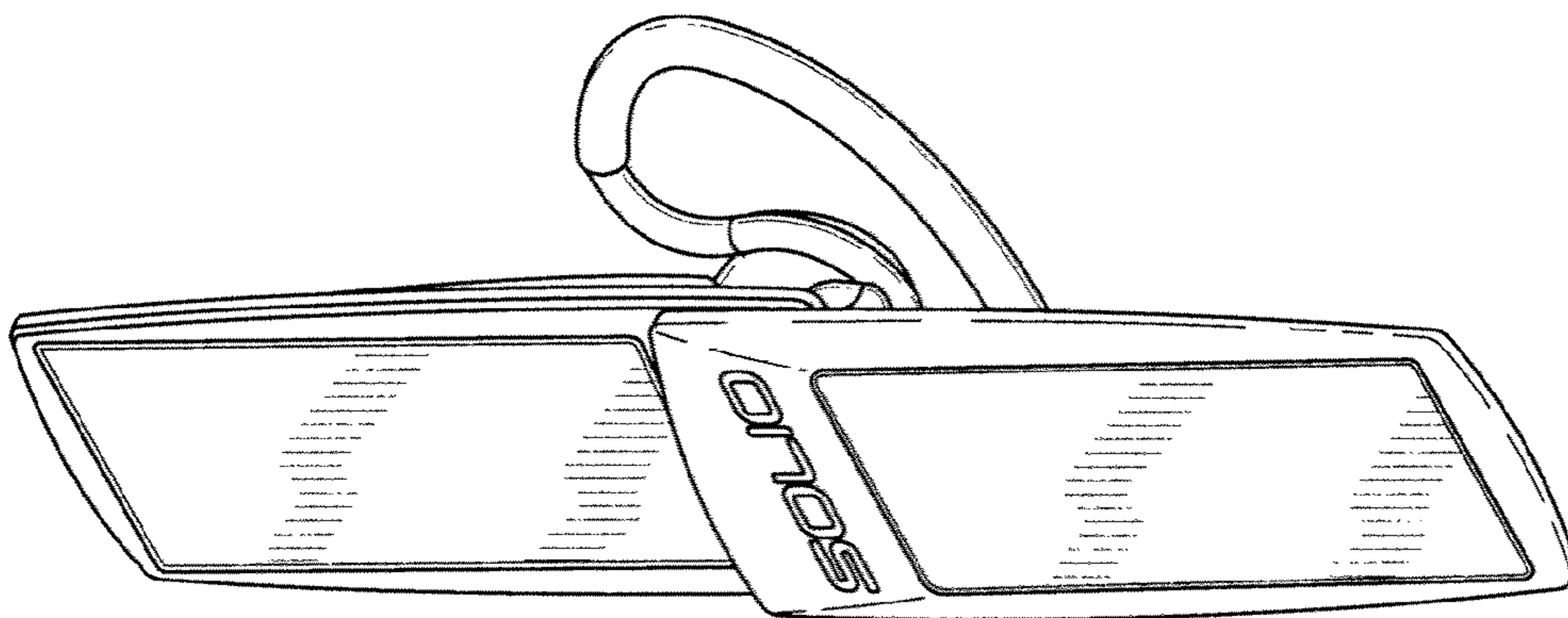


FIG. 13

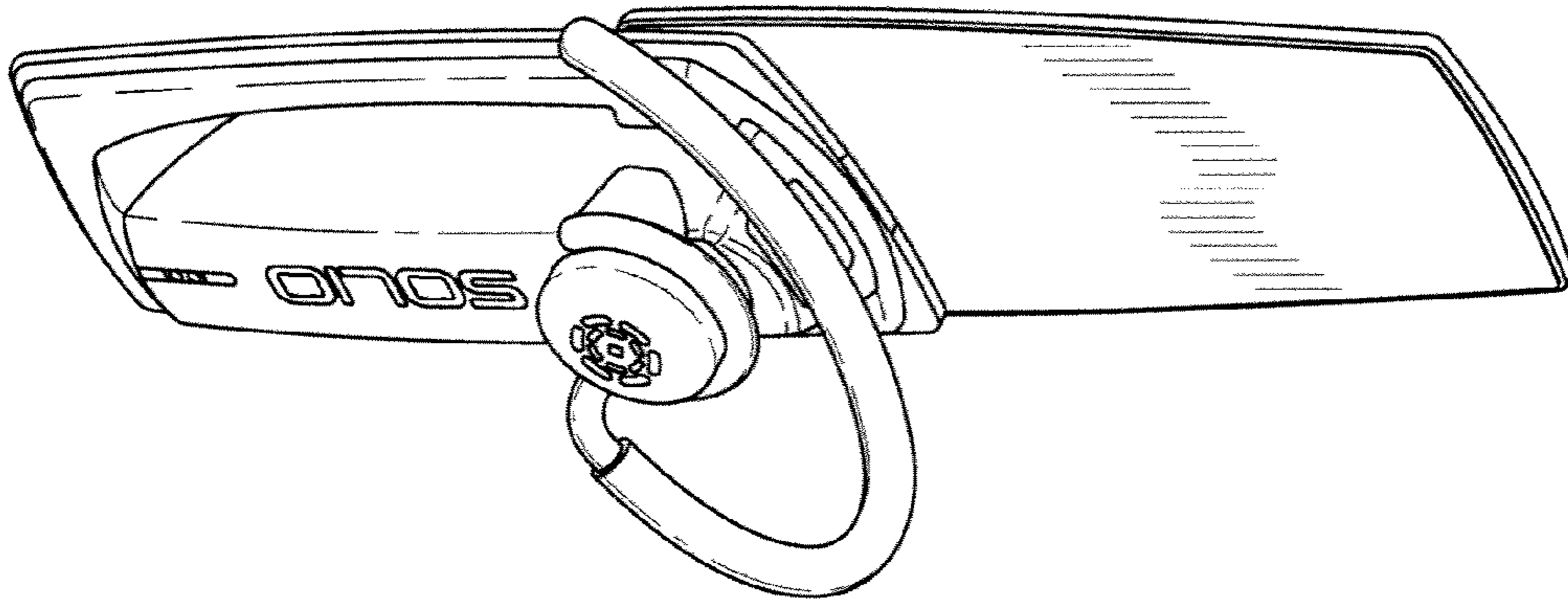


FIG. 16

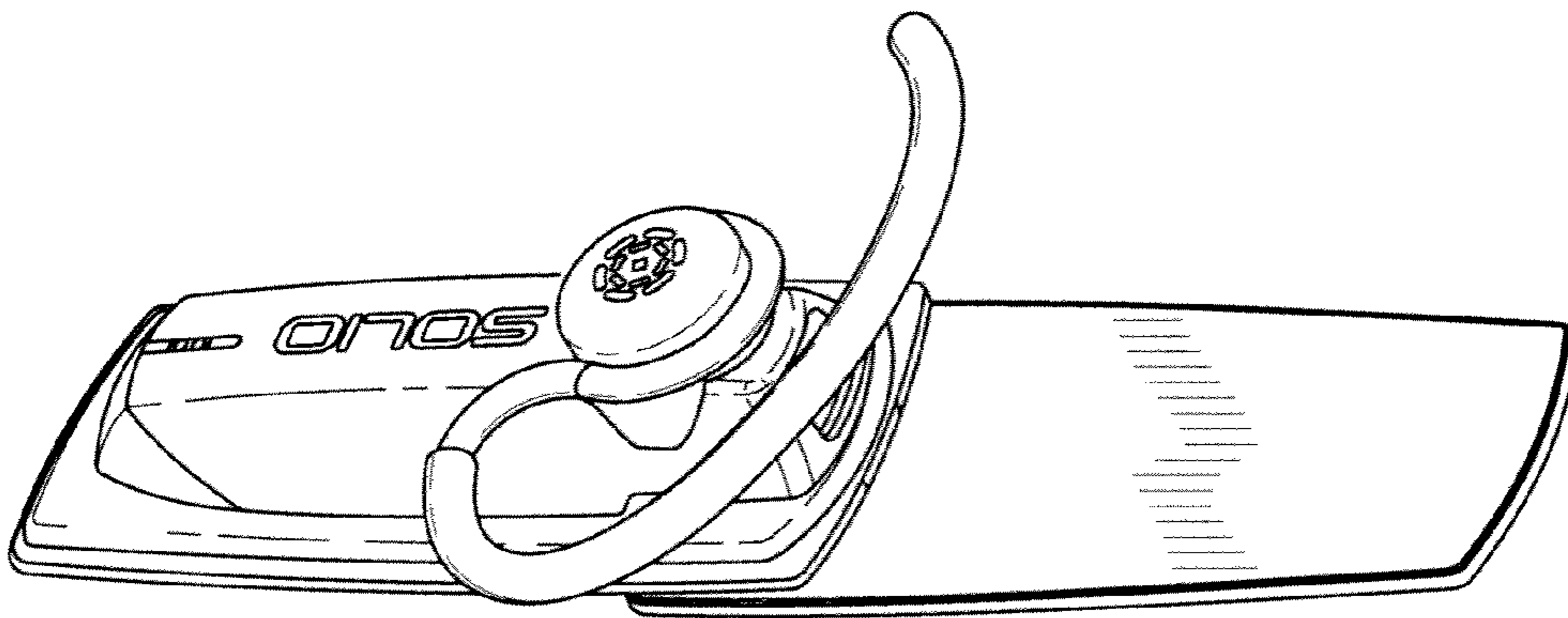


FIG. 15

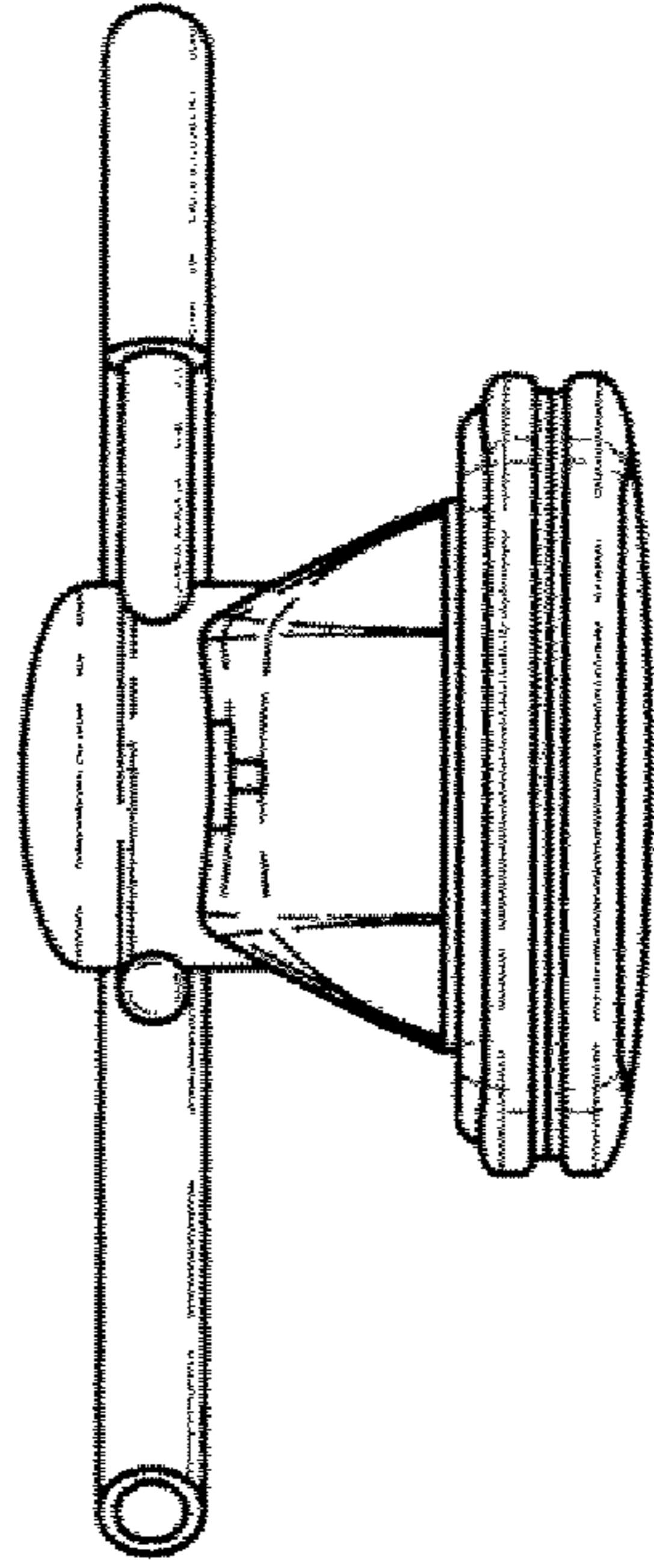


FIG. 17

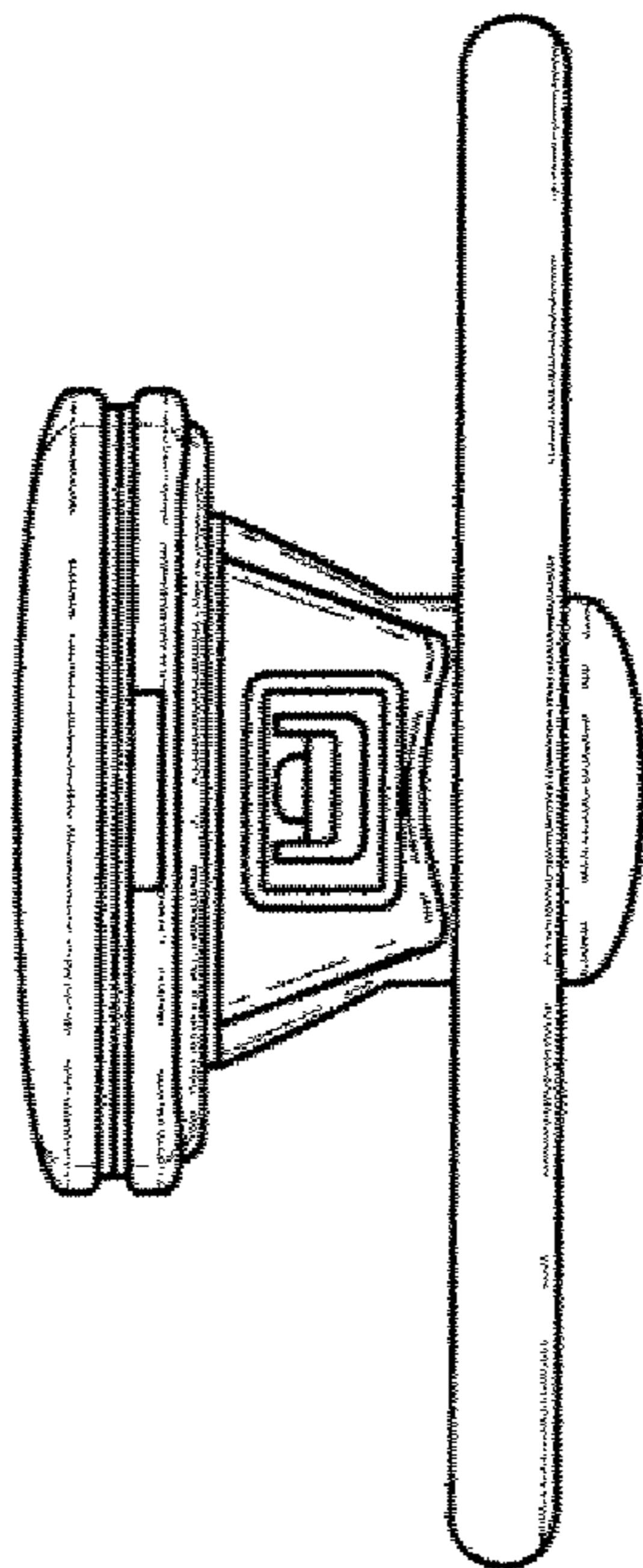


FIG. 18

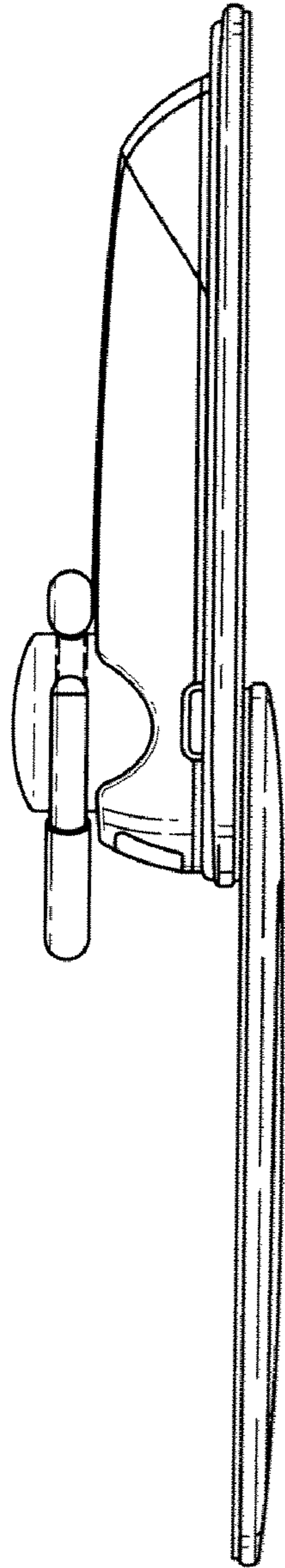


FIG. 19

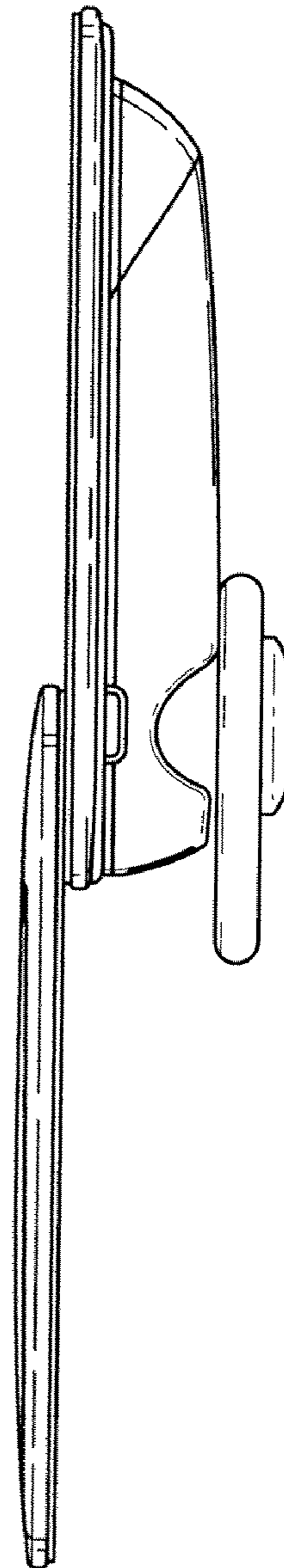


FIG. 20