



US00D595636S

(12) **United States Design Patent**
Miyazaki

(10) **Patent No.:** **US D595,636 S**
(45) **Date of Patent:** **** Jul. 7, 2009**

(54) **AUTOMOBILE TIRE**

FOREIGN PATENT DOCUMENTS

(75) Inventor: **Tetsuji Miyazaki**, Osaka (JP)

JP D1315448 S 10/2007

(73) Assignee: **Toyo Tire & Rubber Co., Ltd.**, Osaka (JP)

* cited by examiner

Primary Examiner—Stacia Cadmus

(**) Term: **14 Years**

(74) *Attorney, Agent, or Firm*—Westerman, Hattori, Daniels & Adrian, LLP.

(21) Appl. No.: **29/320,596**

(57) **CLAIM**

(22) Filed: **Jun. 30, 2008**

The ornamental design for an automobile tire, as shown and described.

(30) **Foreign Application Priority Data**

Jun. 24, 2008 (JP) 2008-016095

DESCRIPTION

(51) **LOC (9) Cl.** **12-15**

FIG. 1 is a front view of the automobile tire;

(52) **U.S. Cl.** **D12/519; D12/523**

FIG. 2 is a rear view of the automobile tire;

(58) **Field of Classification Search** D12/500,

FIG. 3 is a left-side view of the automobile tire;

D12/505, 514–532, 900–901; 152/209.1,

FIG. 4 is a right-side view of the automobile tire;

152/209.8–209.18, 209.25, 209.28
See application file for complete search history.

FIG. 5 is a top view of the automobile tire;

FIG. 6 is a perspective view of the automobile tire;

(56) **References Cited**

U.S. PATENT DOCUMENTS

D403,628 S *	1/1999	Muhlhoff et al.	D12/532
D483,005 S	12/2003	Hirai		
D515,018 S *	2/2006	Umstot et al.	D12/517
D562,757 S *	2/2008	Iwai	D12/519
D582,339 S *	12/2008	Kang	D12/519
D584,214 S *	1/2009	Mukai	D12/519
D586,724 S *	2/2009	Seibert et al.	D12/519

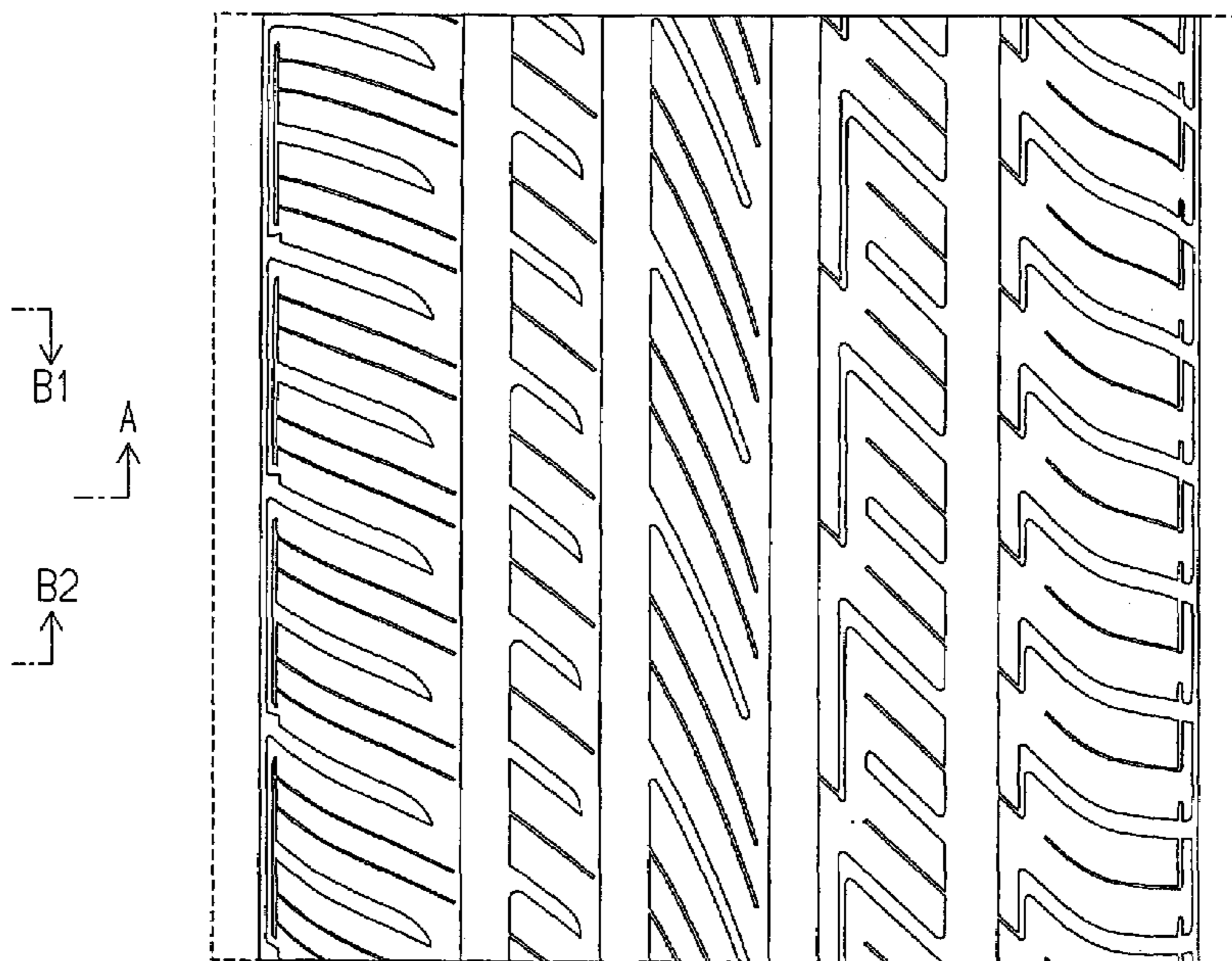
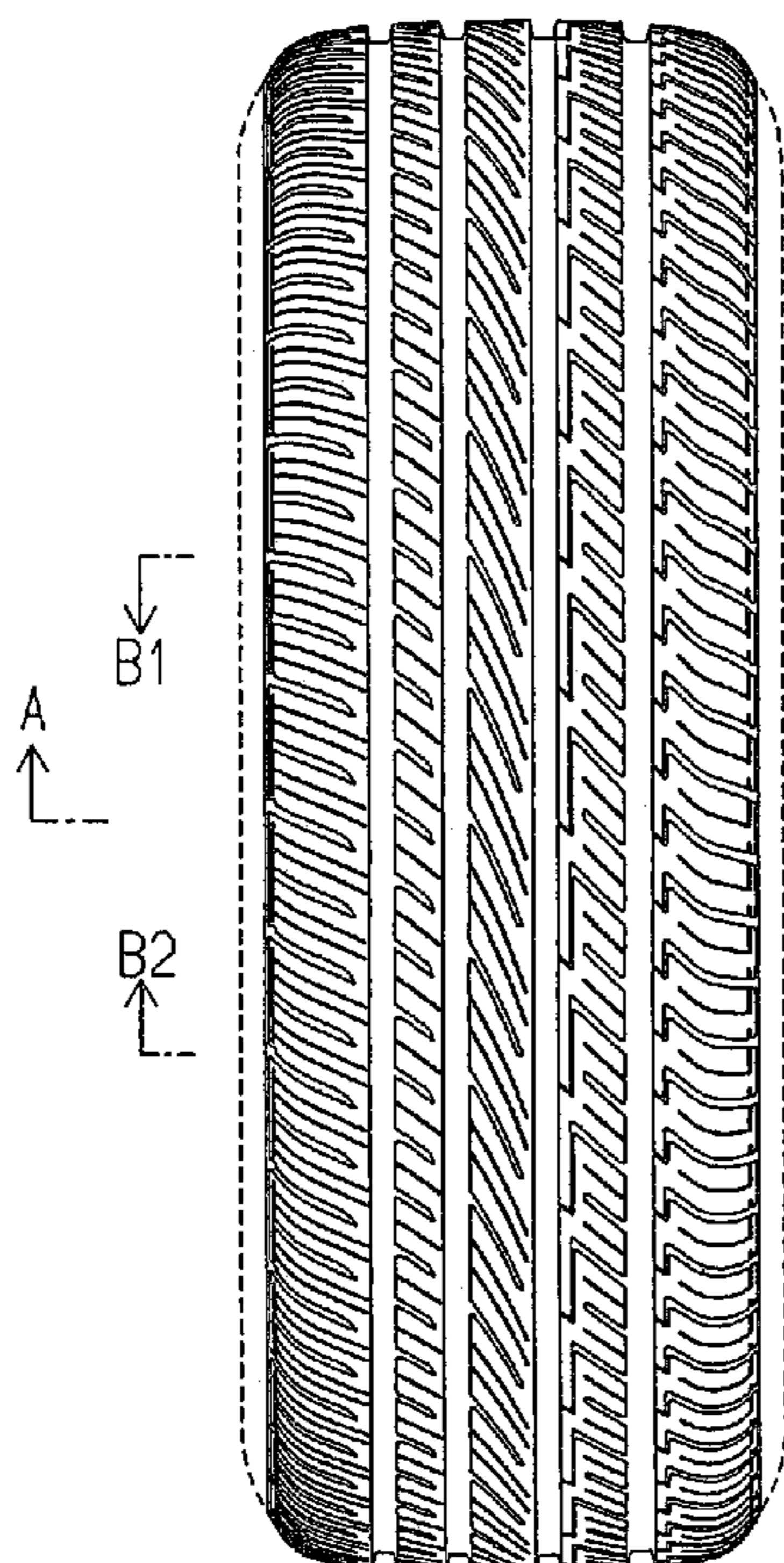
FIG. 7 is an enlarged cross-section view taken along the line A—A in FIG. 1 in the part C—C of in FIG. 3; and,

FIG. 8 is an enlarged view of the part B1—B2 in FIG. 1.

The bottom view is the same as the top view.

In the drawings, the broken lines defining the sidewall and the inner bead of the tire depict environmental subject matter that forms no part of the claimed design.

1 Claim, 8 Drawing Sheets



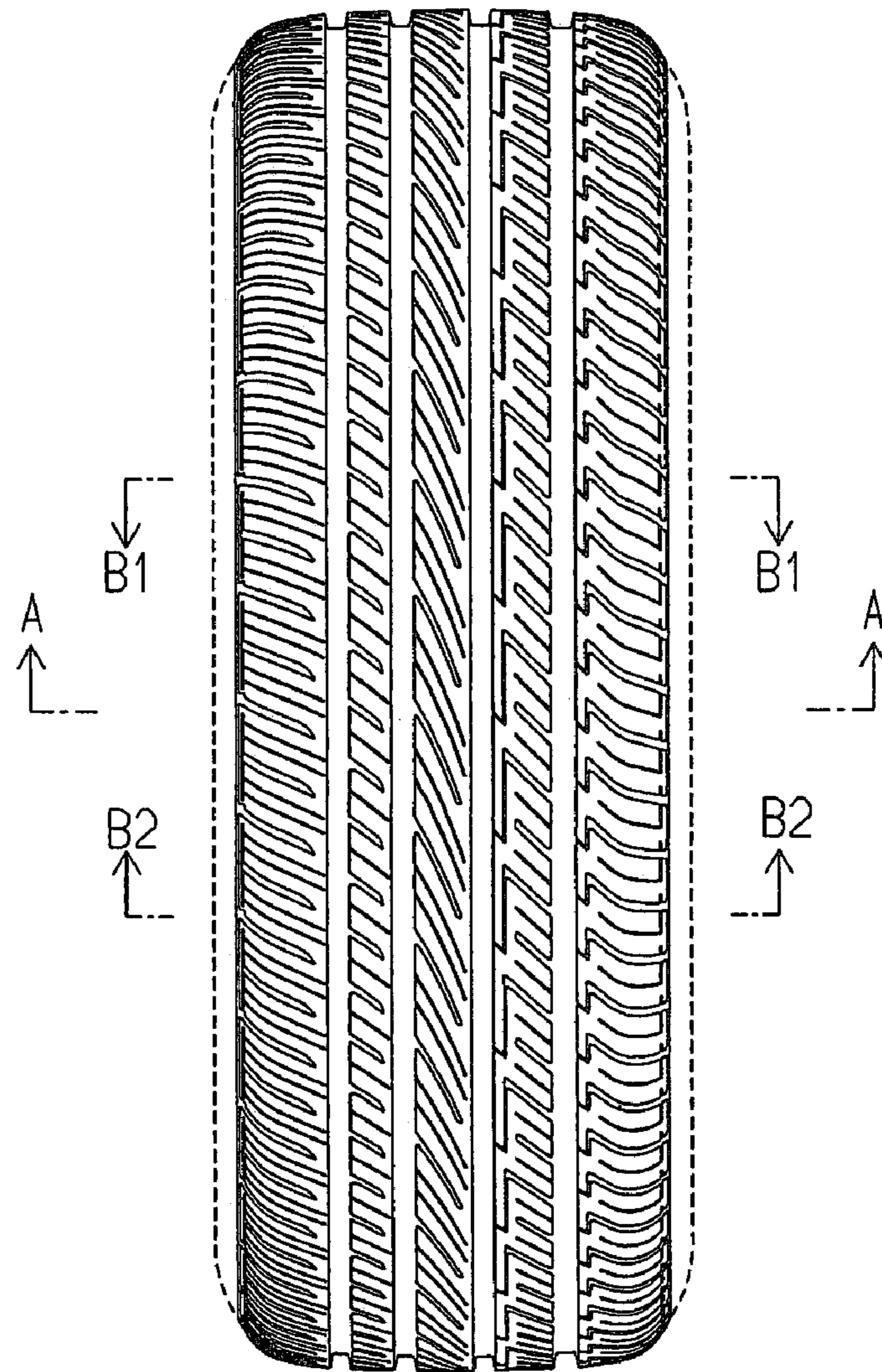


FIG. 1

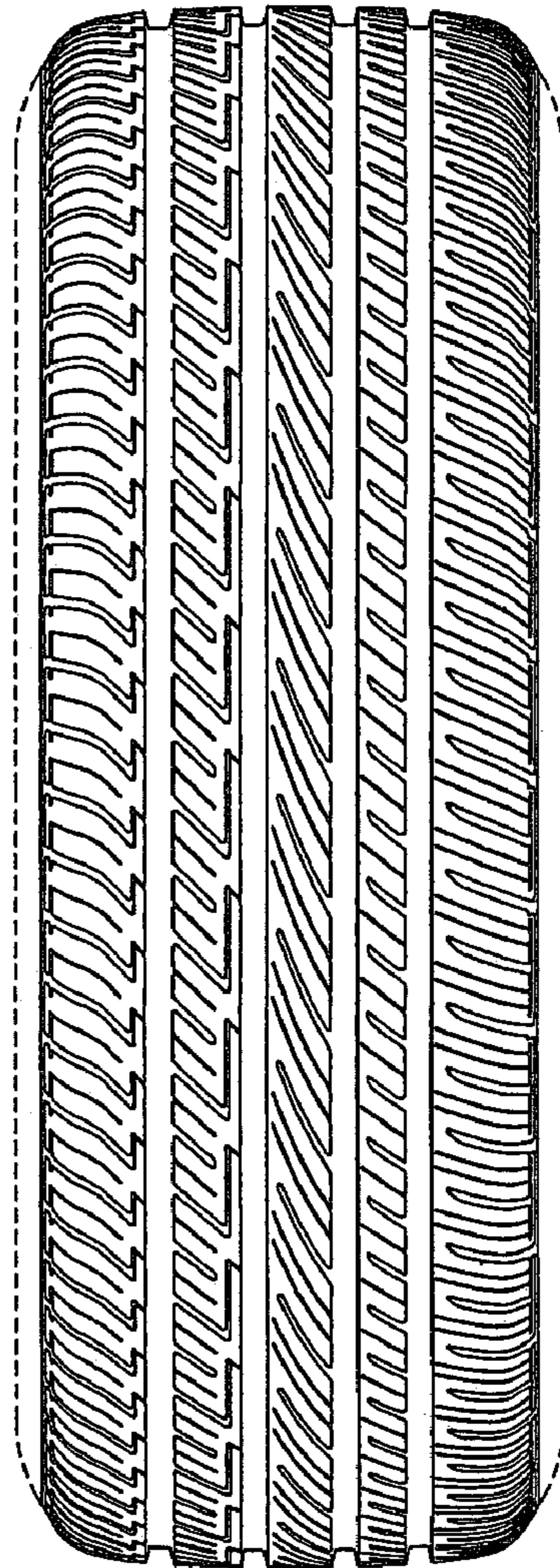


FIG.2

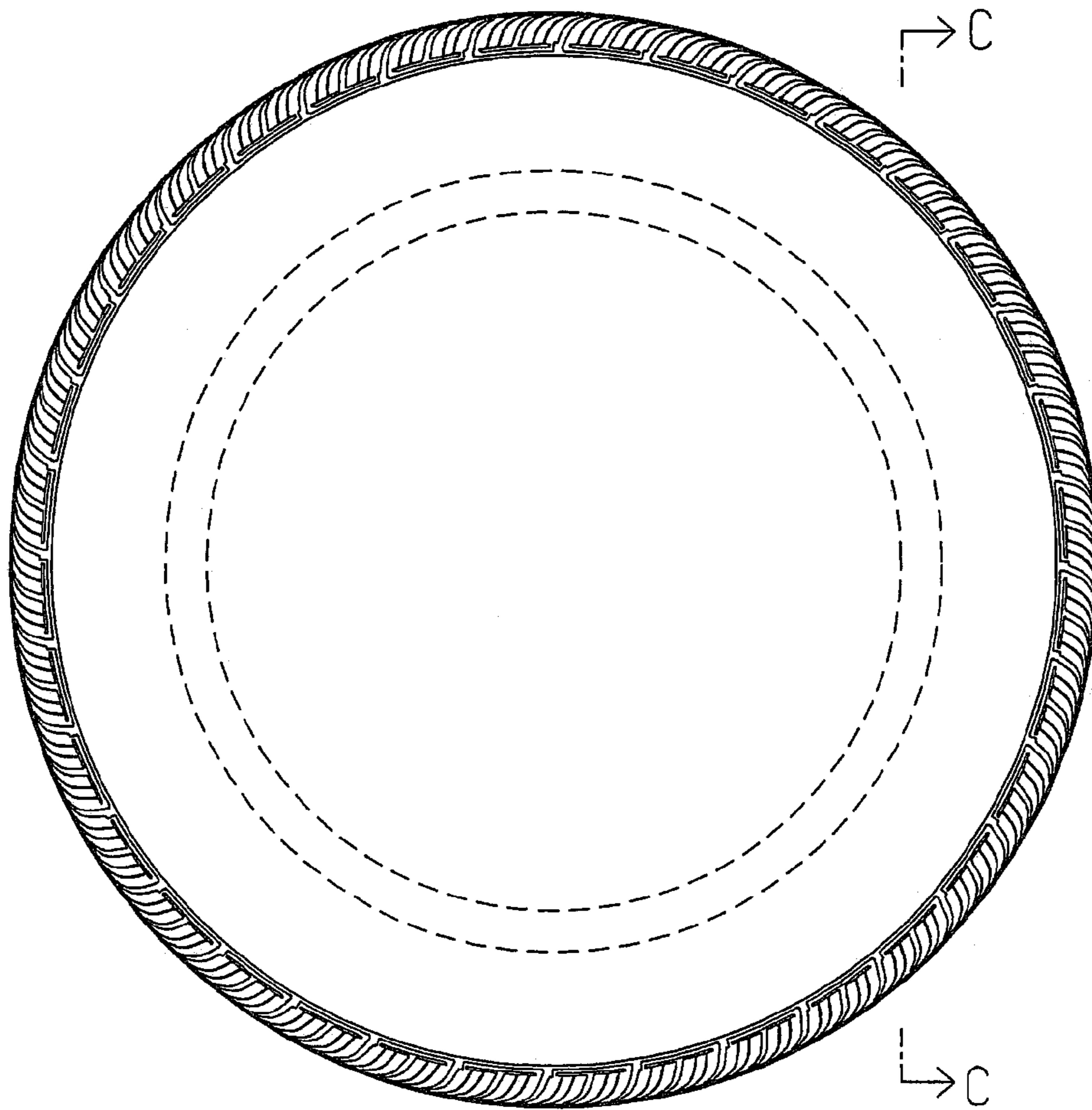


FIG. 3

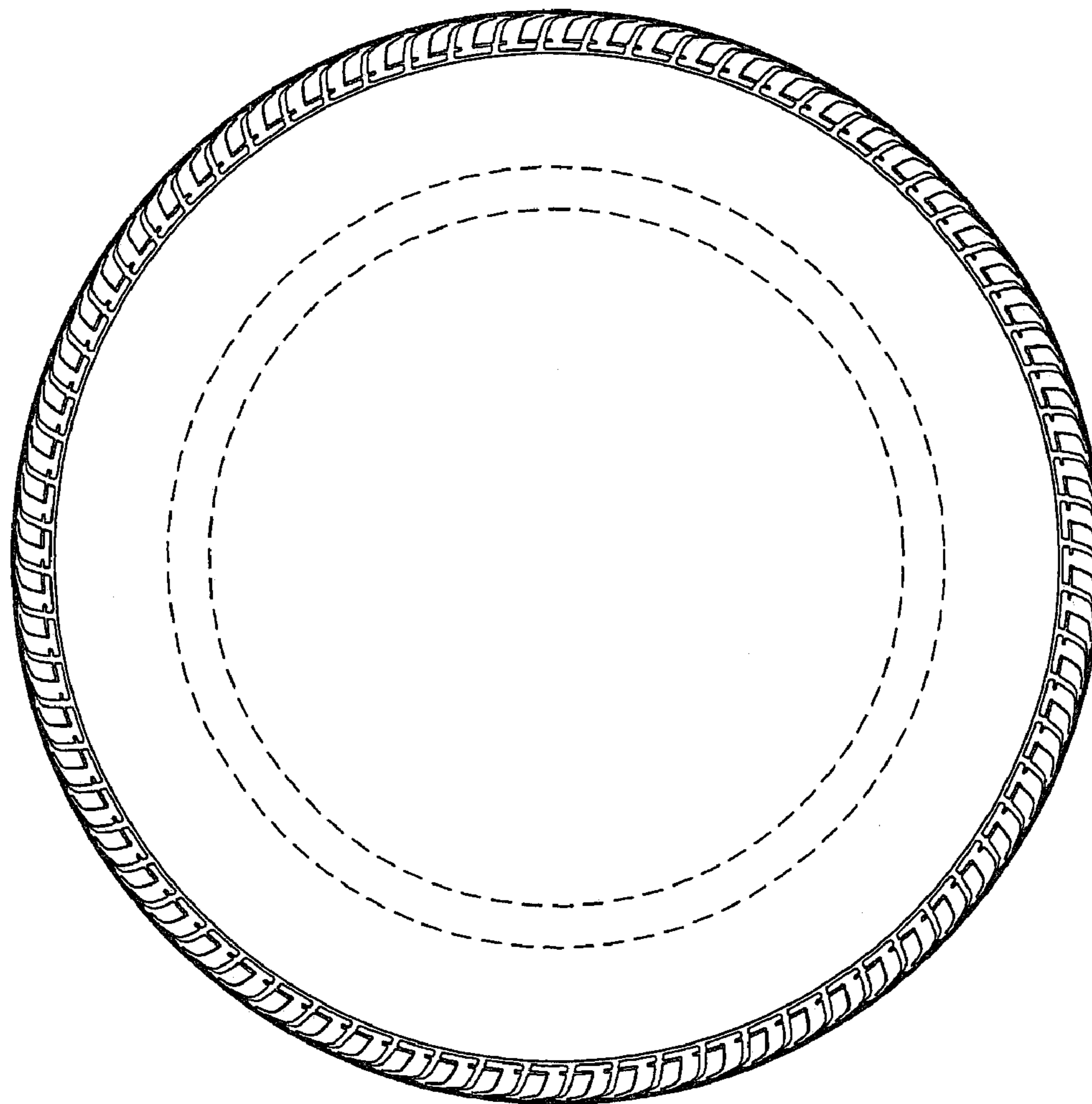


FIG.4

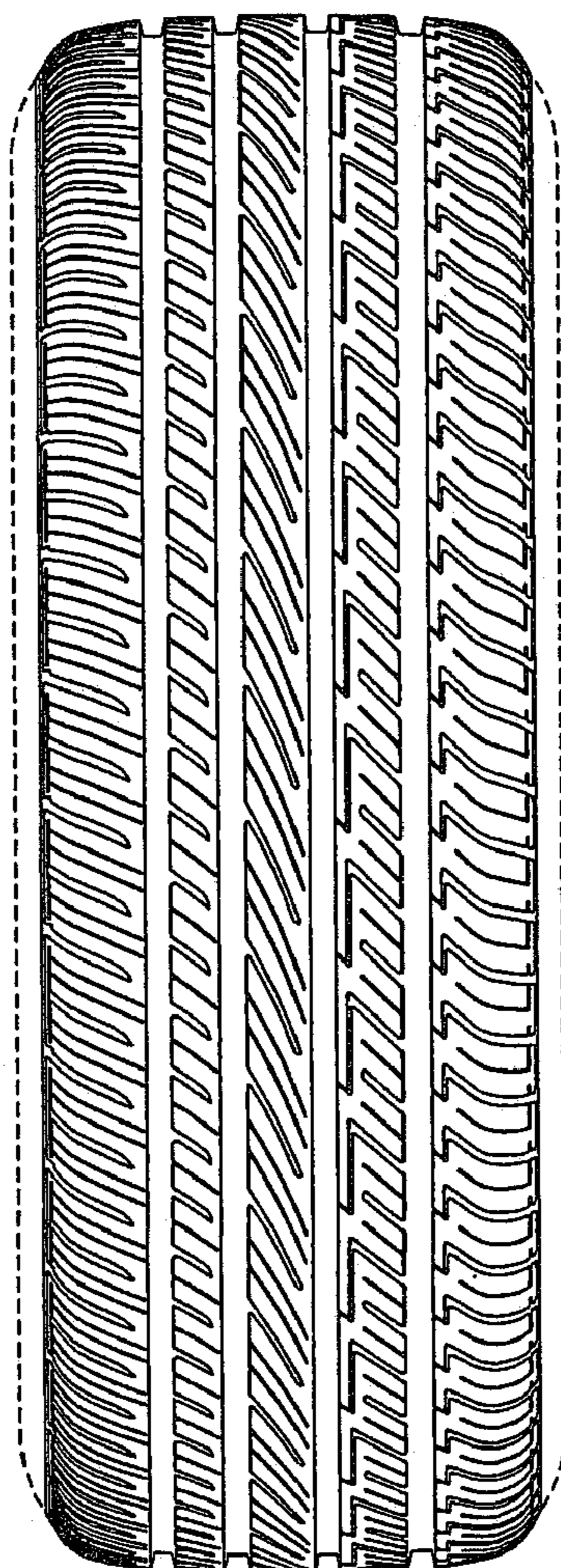


FIG. 5

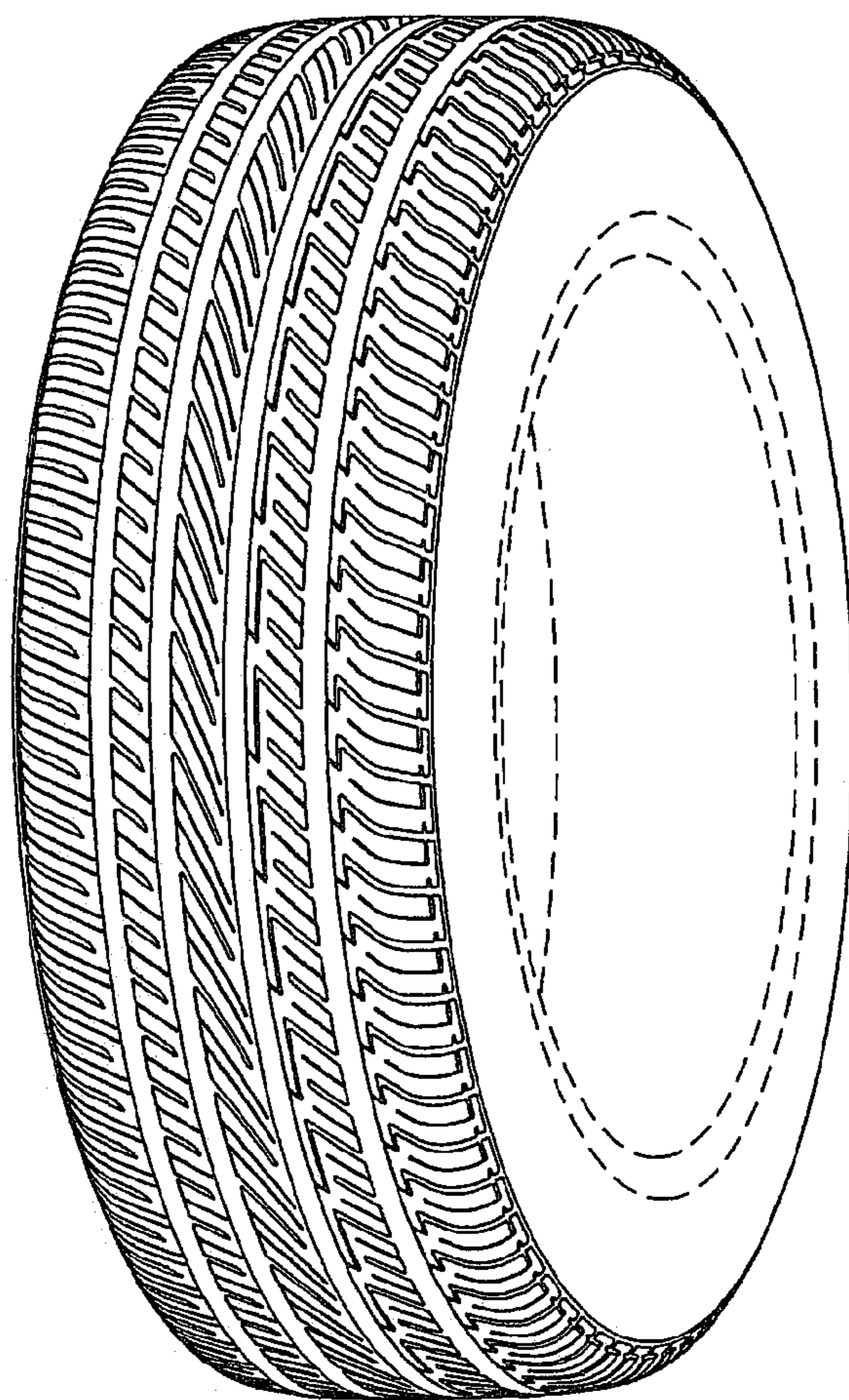


FIG.6

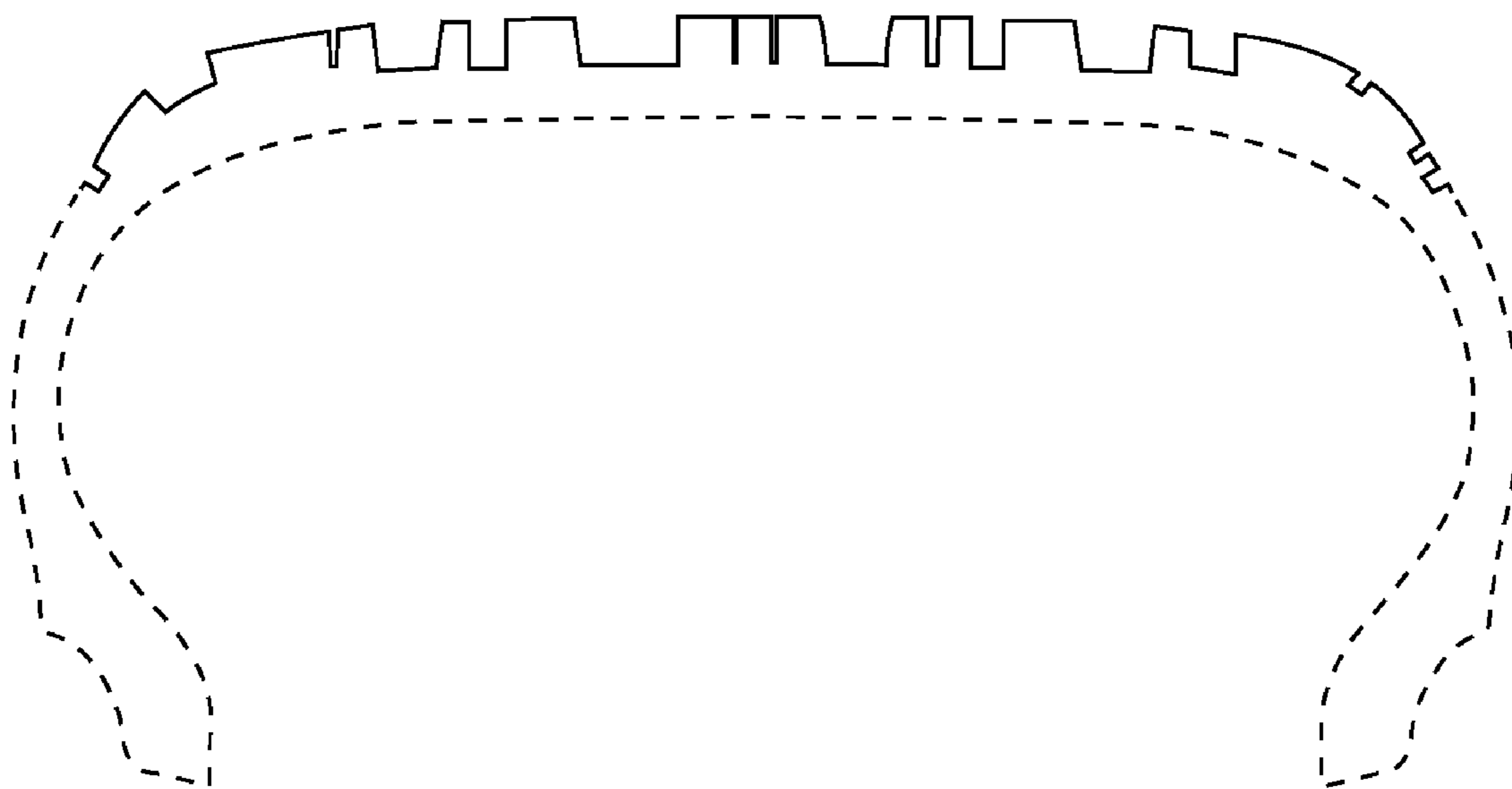


FIG. 7

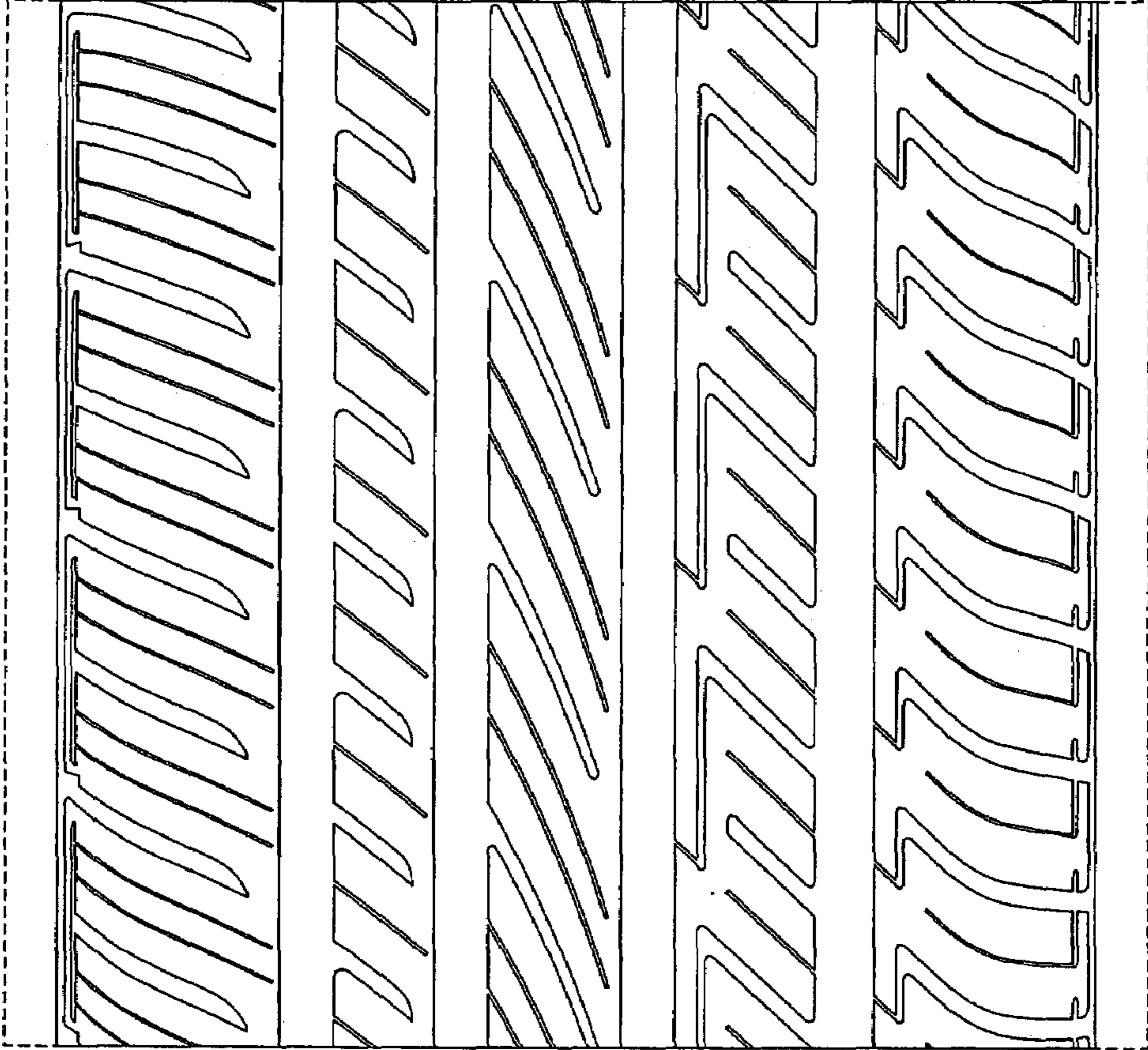


FIG.8