



US00D595635S

(12) **United States Design Patent**
McDonald

(10) **Patent No.:** **US D595,635 S**
(45) **Date of Patent:** **** Jul. 7, 2009**

(54) **FISHING ROD HOLDER FOR BICYCLE**

(76) Inventor: **David H. McDonald**, 2302 Rodgers Dr.,
Huntsville, AL (US) 35811

(**) Term: **14 Years**

(21) Appl. No.: **29/306,179**

(22) Filed: **Apr. 3, 2008**

(51) **LOC (9) Cl.** **12-11**

(52) **U.S. Cl.** **D12/407**

(58) **Field of Classification Search** D12/115,
D12/407, 408, 223; D22/147, 148; 280/288.4,
280/304.5; 43/21.2, 54.1; 224/922, 536,
224/412, 419-427, 448, 461; D6/552; 211/70.8;
248/511-524, 538, 309.1, 317, 219.4
See application file for complete search history.

(56) **References Cited**

U.S. PATENT DOCUMENTS

3,142,424	A	7/1964	Reed, Jr.
3,167,284	A	1/1965	Lynch
3,169,739	A	2/1965	Yacobian
3,648,908	A	3/1972	Thompson
3,744,688	A	7/1973	Kezer
3,921,868	A	11/1975	Reichbach
4,614,323	A	9/1986	Bauer
4,852,291	A	8/1989	Mengo
4,877,165	A	10/1989	Behrle
5,014,458	A	5/1991	Wagner
5,383,299	A	1/1995	Smelker
D377,387	S	1/1997	Mathewson
5,871,196	A	2/1999	Martelli
5,987,804	A	11/1999	Shearer et al.
6,273,391	B1	8/2001	Engolia
6,302,367	B1	10/2001	Ratza et al.

6,672,559	B1	1/2004	Boldia
D490,768	S	6/2004	Baynes et al.
6,898,893	B1	5/2005	Mukdaprakorn
6,962,018	B1	11/2005	King
7,278,233	B2	10/2007	Melville
2003/0230024	A1	12/2003	Roberson

FOREIGN PATENT DOCUMENTS

JP	11255164	9/1999
JP	2000128046	5/2000
JP	2000272568	10/2000
JP	2003146276	5/2003

Primary Examiner—Robin V Webster

Assistant Examiner—Linda Brooks

(74) *Attorney, Agent, or Firm*—Angela Holt; Lanier Ford
Shaver & Payne P.C.

(57) **CLAIM**

I claim the ornamental design for a fishing rod holder, as
shown and described.

DESCRIPTION

FIG. 1 is a front and side perspective view of the fishing rod
holder showing my new design shown installed on a bicycle
seat support.

FIG. 2 is a rear and opposite side perspective view of thereof
shown installed on a bicycle seat support and with a fishing
rod in the holder; and,

FIG. 3 is a detail of the fishing rod holder for bicycle of FIG.
1, in the direction of line A—A in FIG. 1.

The broken lines showing a bicycle seat in FIG. 1 and a
bicycle seat and fishing rod in FIG. 2 illustrate environmental
elements that form no part of the claim.

1 Claim, 1 Drawing Sheet

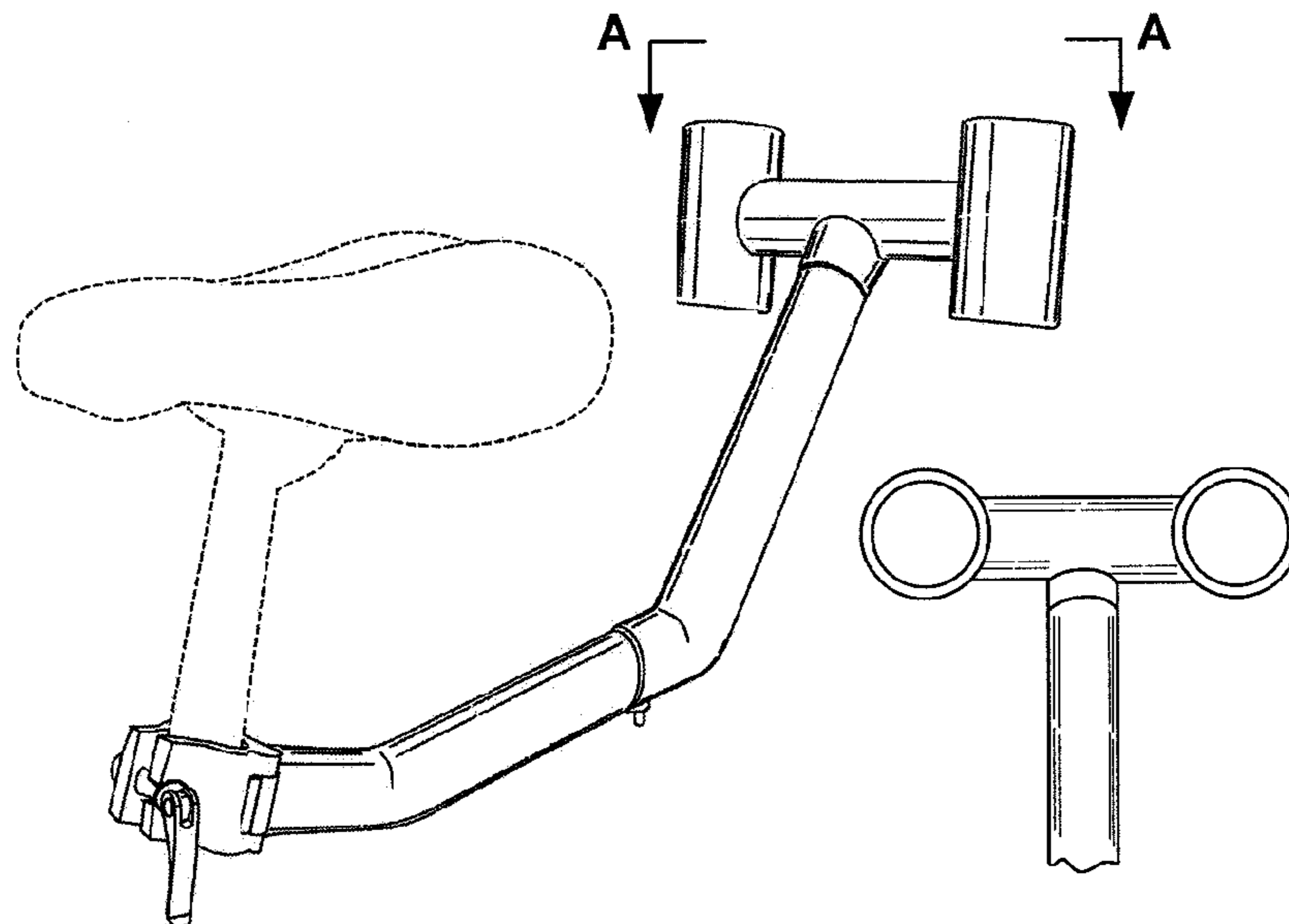


Figure 1

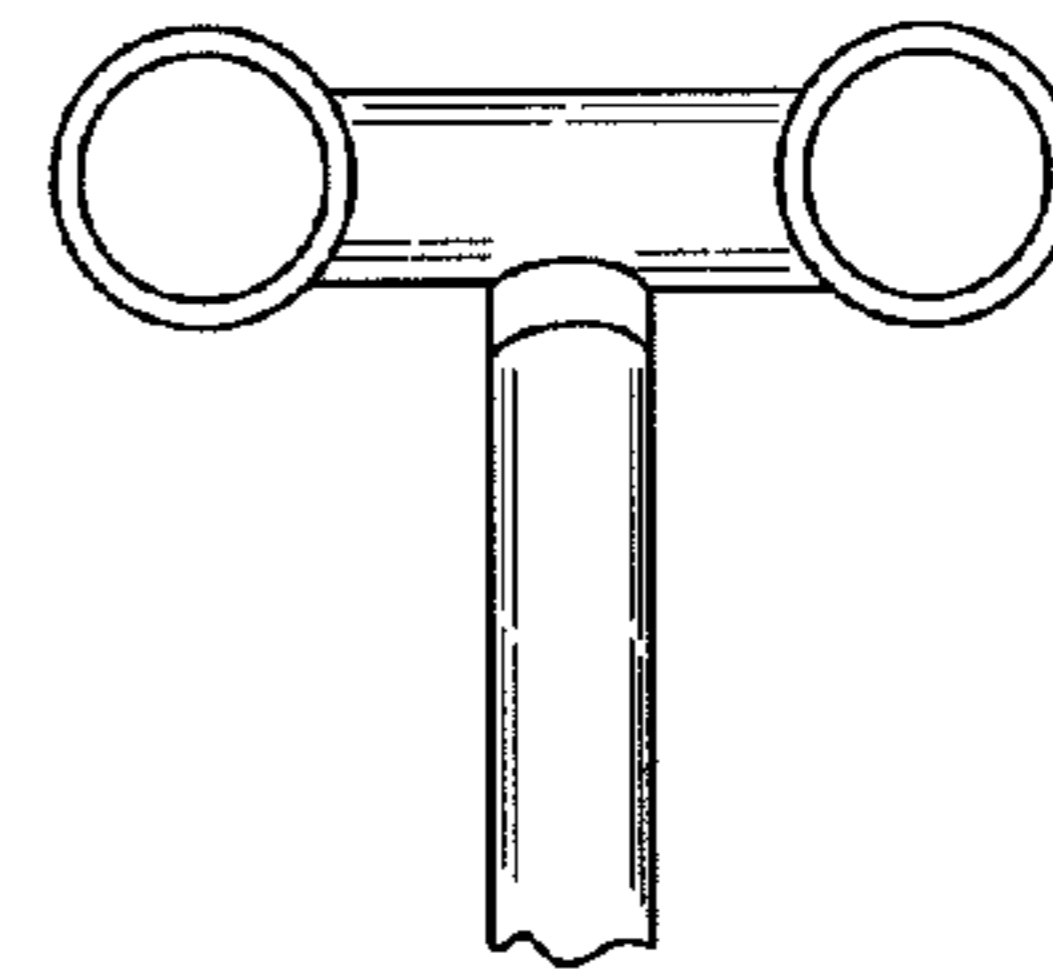
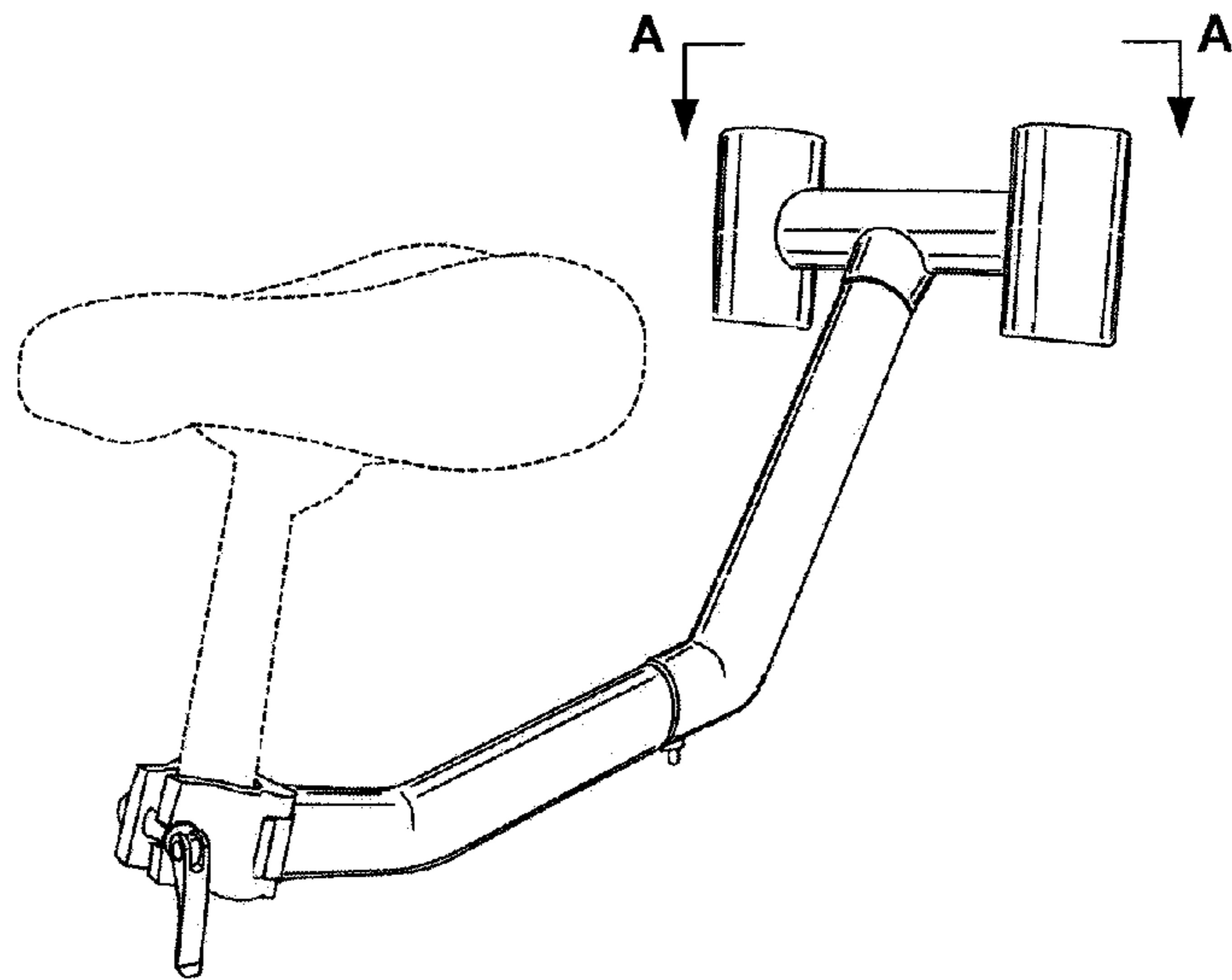


Figure 2

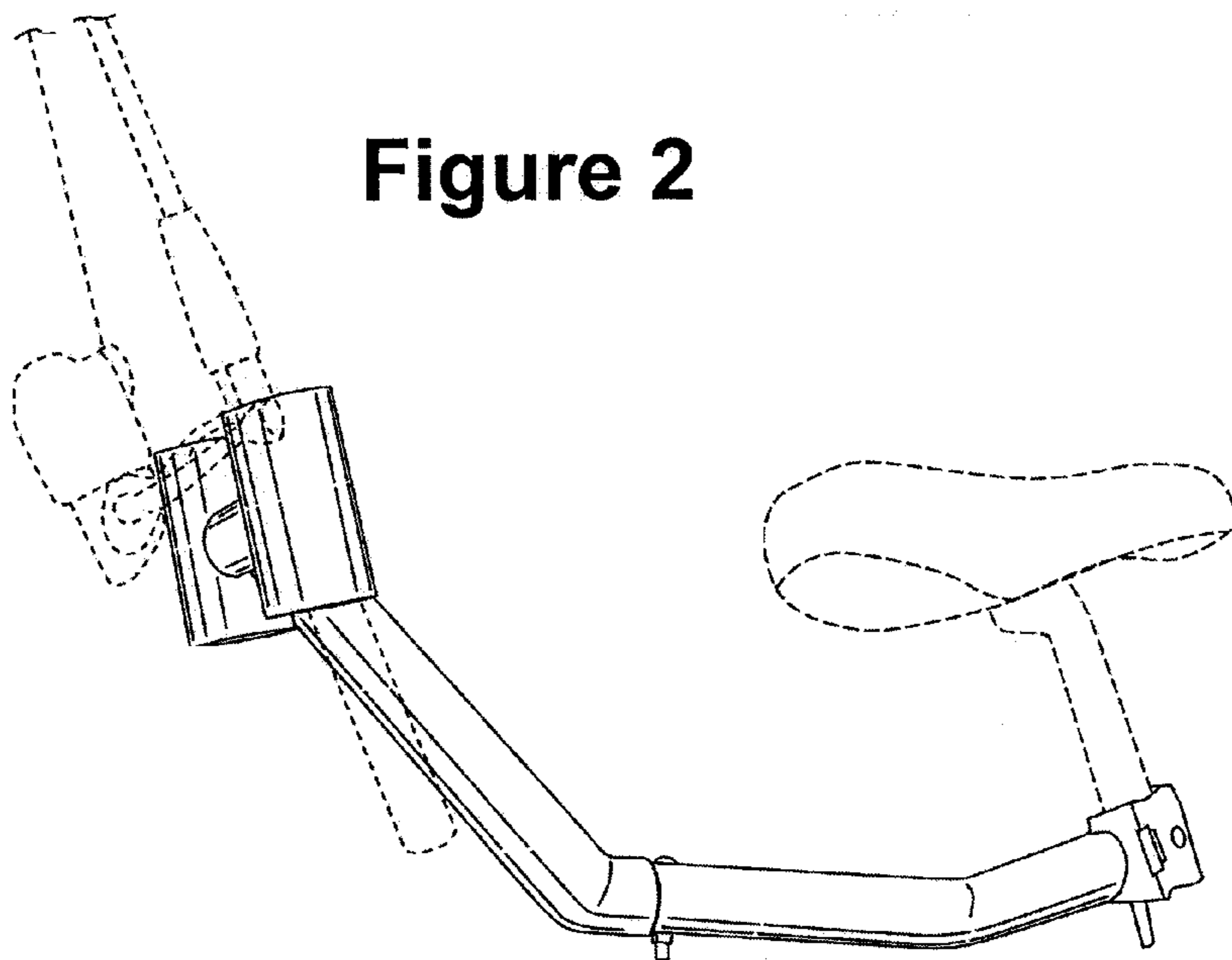


Figure 3