



US00D595633S

(12) **United States Design Patent**  
**Channel**

(10) **Patent No.:** **US D595,633 S**  
(45) **Date of Patent:** **\*\* Jul. 7, 2009**

(54) **FUEL TANK AND AIR PASSAGE ASSEMBLY**

(76) Inventor: **Stonie Todd Channel**, 1705 Rayford,  
Henderson, TX (US) 75654

(\*) Notice: This patent is subject to a terminal disclaimer.

(\*\*) Term: **14 Years**

(21) Appl. No.: **29/273,561**

(22) Filed: **Mar. 8, 2007**

(51) **LOC (9) Cl.** ..... **12-11**

(52) **U.S. Cl.** ..... **D12/218**

(58) **Field of Classification Search** ..... D12/218,  
D12/110, 114; 280/288.4, 833-835; 180/69.4,  
180/219, 225

See application file for complete search history.

(56) **References Cited**

**U.S. PATENT DOCUMENTS**

4,059,207 A	11/1977	Jackson et al.
D252,328 S	7/1979	Moore
4,170,272 A	10/1979	Smolinski
4,311,261 A	1/1982	Anderson et al.
D275,471 S	9/1984	Stahel
D279,663 S	7/1985	Stahel
D281,486 S	11/1985	Hattori
4,577,719 A	3/1986	Nomura et al.
4,653,762 A	3/1987	Nakamura et al.
D291,188 S	8/1987	Stahel
4,951,774 A	8/1990	Buell
5,145,023 A	9/1992	Tsurumi et al.
D331,377 S	12/1992	Gevert
5,284,221 A	2/1994	Warne
5,285,830 A	2/1994	Hilpipe, Jr.
D385,232 S	10/1997	Thurm
D394,237 S	5/1998	Mancini, III
D396,024 S	7/1998	Gorham
D402,248 S	12/1998	Triebold
D404,002 S	1/1999	Puchkoff
5,894,872 A	4/1999	Gale
5,908,079 A	6/1999	Amino
D424,505 S	5/2000	Hanlon

6,056,343 A	5/2000	Cairns
6,069,337 A	5/2000	Takase et al.
D432,486 S	10/2000	Krejci
D433,361 S	11/2000	Wollmer et al.
6,253,790 B1	7/2001	Hara
6,298,832 B1	10/2001	Yamazoe et al.
6,357,424 B1	3/2002	Sonada et al.

(Continued)

*Primary Examiner*—Cathron C Brooks  
*Assistant Examiner*—Linda Brooks  
(74) *Attorney, Agent, or Firm*—Parks & Associates P.C

(57) **CLAIM**

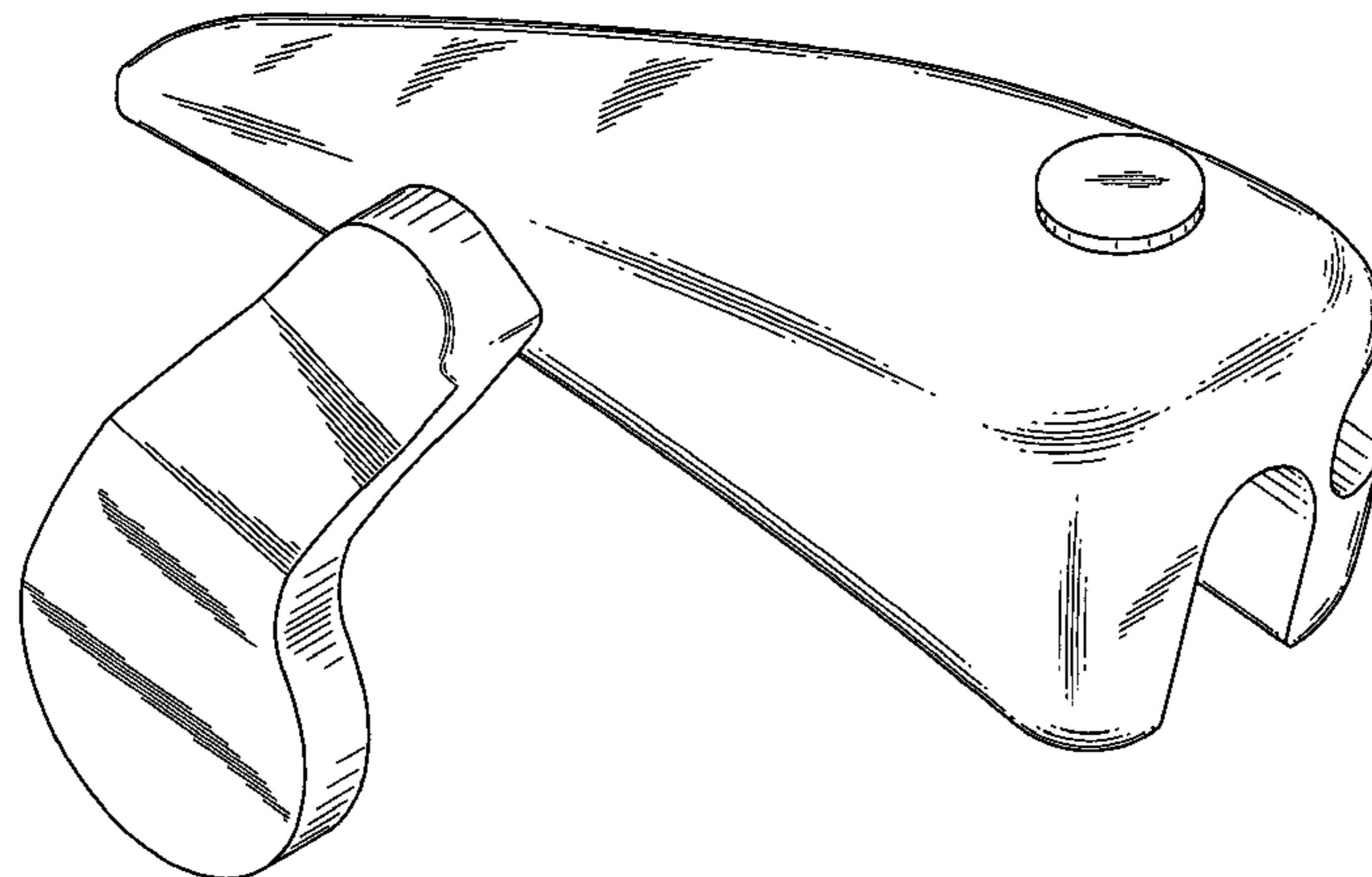
The ornamental design for a fuel tank and air passage assembly, as shown and described.

**DESCRIPTION**

FIG. 1 is a perspective view of a fuel tank and air passage assembly showing my new design;  
FIG. 2 is a top view of fuel tank and air passage assembly showing my new design;  
FIG. 3 is a bottom view of a fuel tank and air passage assembly showing my new design;  
FIG. 4 is a front view of a fuel tank and air passage assembly showing my new design;  
FIG. 5 is a side view of a fuel tank and air passage assembly showing my new design;  
FIG. 6 is the opposite side view of a fuel tank and air passage assembly showing my new design; and,  
FIG. 7 is a back view of a fuel tank and air passage assembly showing my new design.

The broken lines in the drawings represent unclaimed environmental subject matter and form no part of the claimed design.

**1 Claim, 4 Drawing Sheets**



# US D595,633 S

Page 2

---

## U.S. PATENT DOCUMENTS

D456,758 S	5/2002	Krejci	D508,887 S	8/2005	Toy
6,401,750 B2	6/2002	Tokunaga	D509,780 S	9/2005	James
6,419,273 B1	7/2002	Iizuka et al.	D512,951 S	12/2005	Alsop
6,481,478 B2	11/2002	Mueller	6,971,659 B2	12/2005	Uemoto et al.
D474,142 S	5/2003	Song	D514,498 S	2/2006	Alsop
D482,998 S	12/2003	Krejci	D515,985 S	2/2006	Kishi et al.
D485,216 S	1/2004	Yamamoto et al.	2003/0000755 A1	1/2003	Schroeder
D489,670 S	5/2004	Song	2003/0042261 A1	3/2003	Cantor
D493,409 S	7/2004	Krejci	2005/0006162 A1	1/2005	Philipps et al.
D493,410 S	7/2004	Krijci	2005/0023817 A1	2/2005	Uemoto et al.
D498,199 S	11/2004	Sugimoto et al.	2005/0051375 A1	3/2005	Momosaki
D498,451 S	11/2004	Ballentine	2005/0066926 A1	3/2005	Ishikawa et al.
D498,452 S	11/2004	James	2005/0235616 A1	10/2005	Boston
D502,439 S	3/2005	Horstmann et al.	2005/0279330 A1	12/2005	Okazaki et al.
6,896,293 B2	5/2005	Philipps et al.	2006/0108369 A1	5/2006	Hirose et al.
D506,426 S	6/2005	Quast	2007/0004329 A1	1/2007	Miyakawa et al.
			2007/0028884 A1	2/2007	Atsumi

Fig. 1

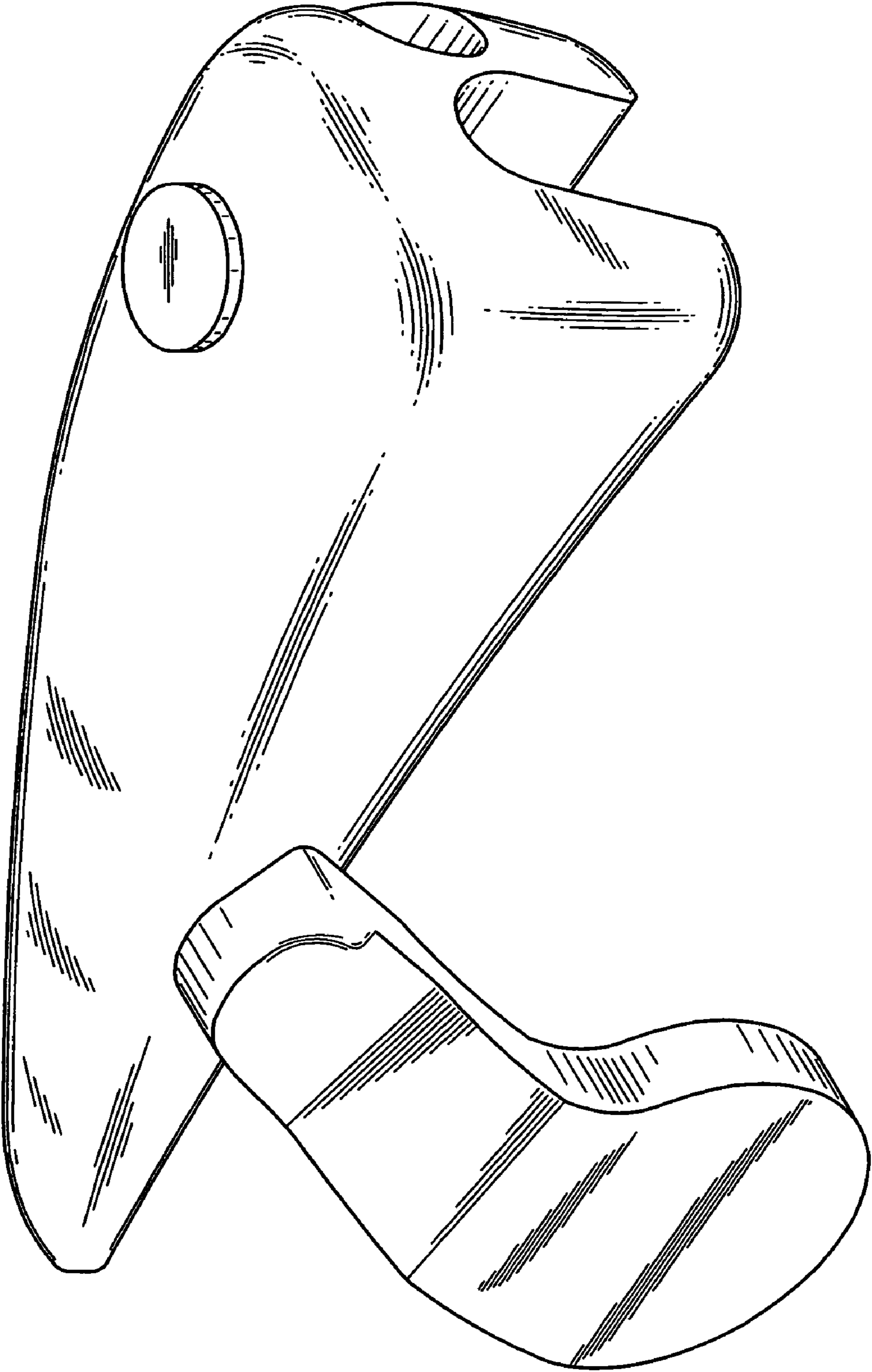


Fig. 2

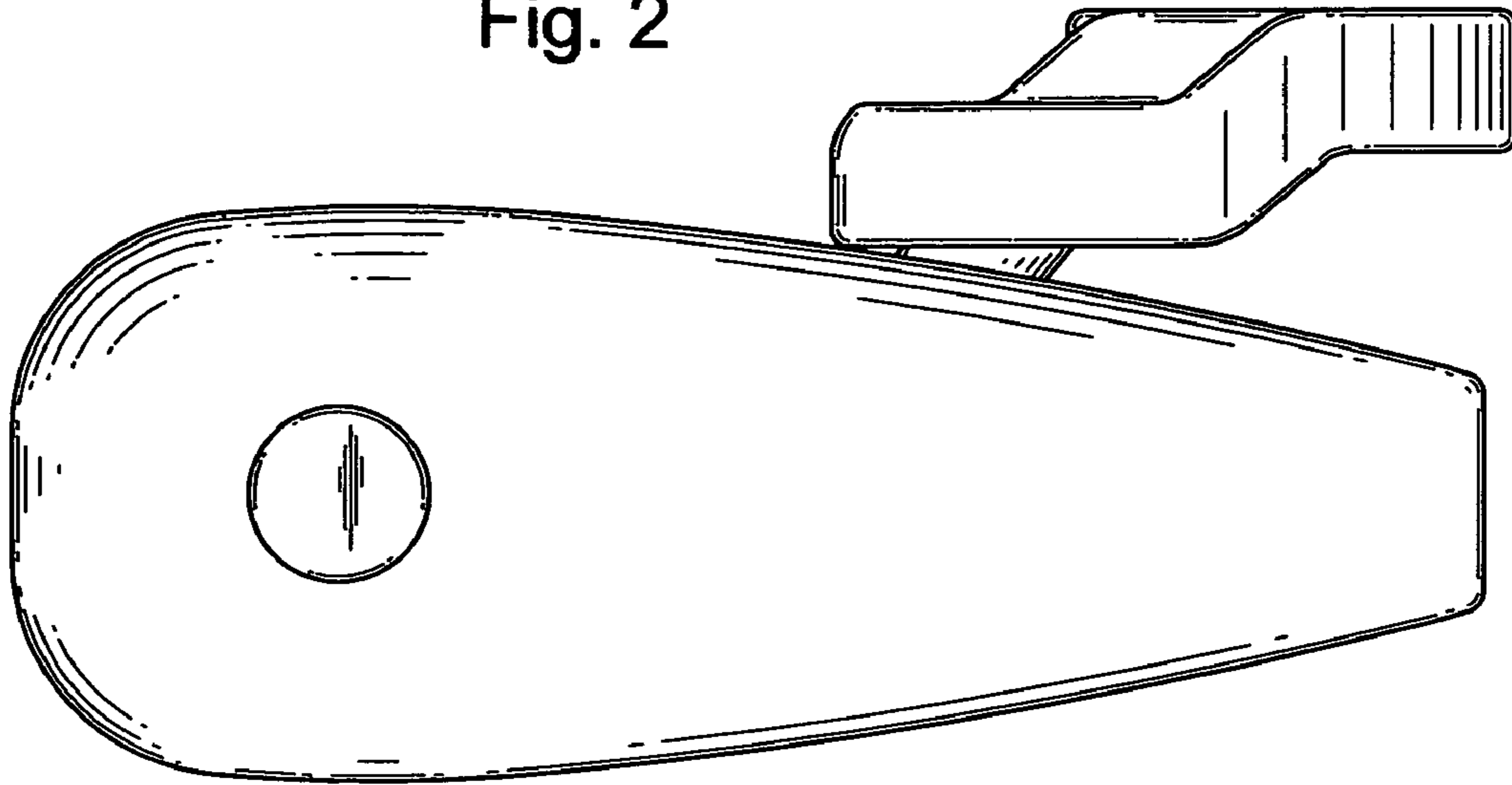


Fig. 3

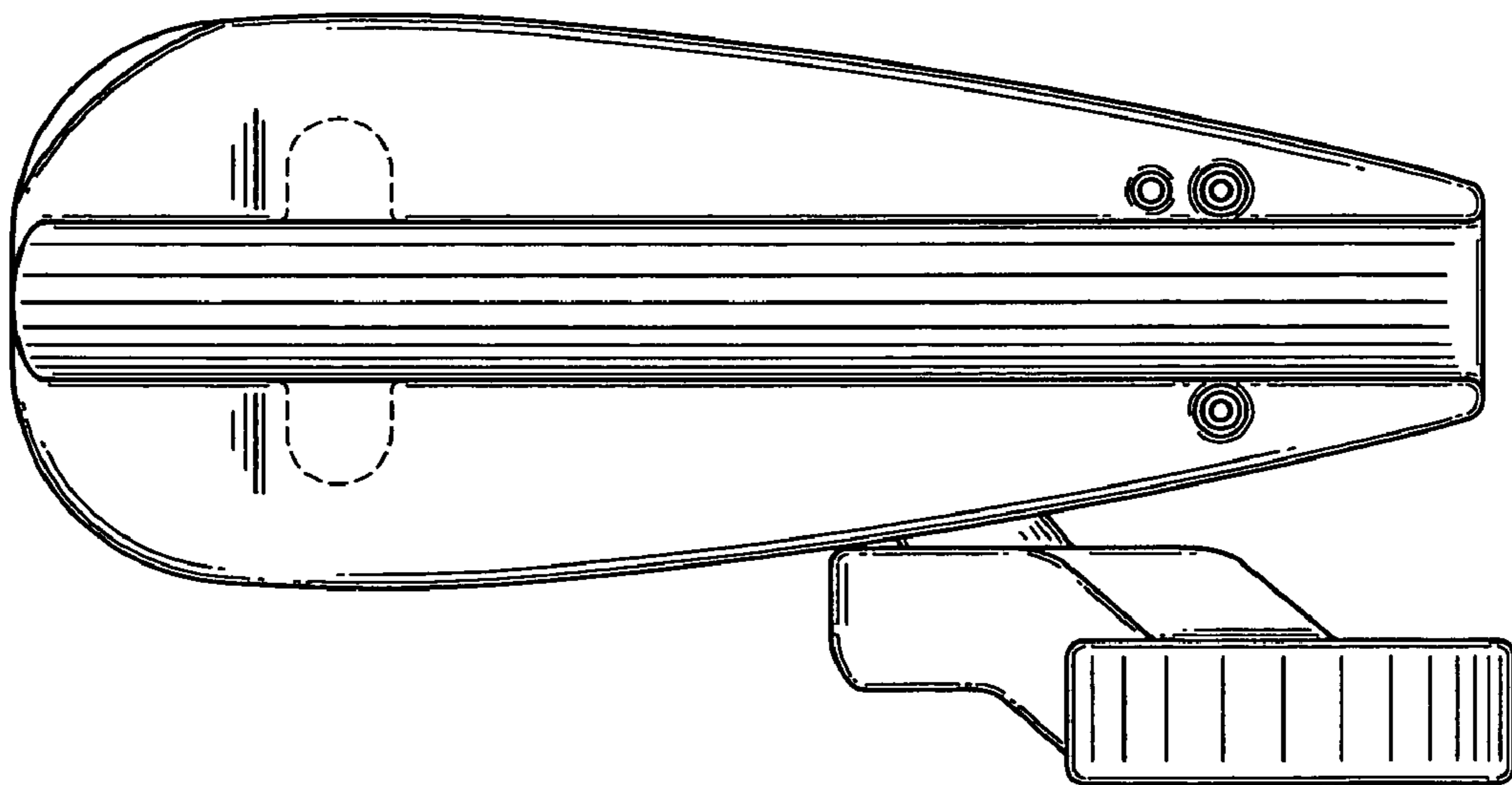


Fig. 4

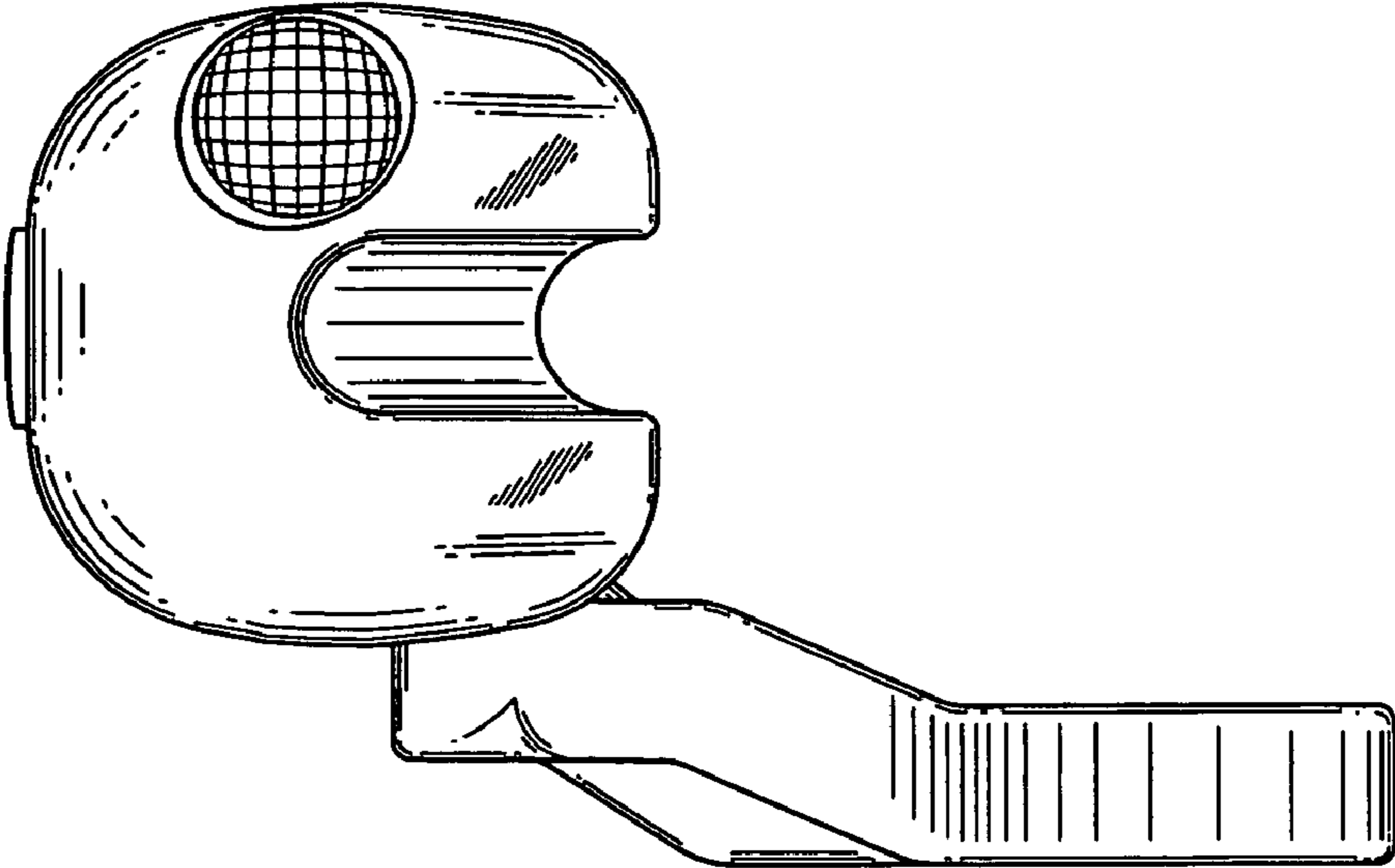


Fig. 5

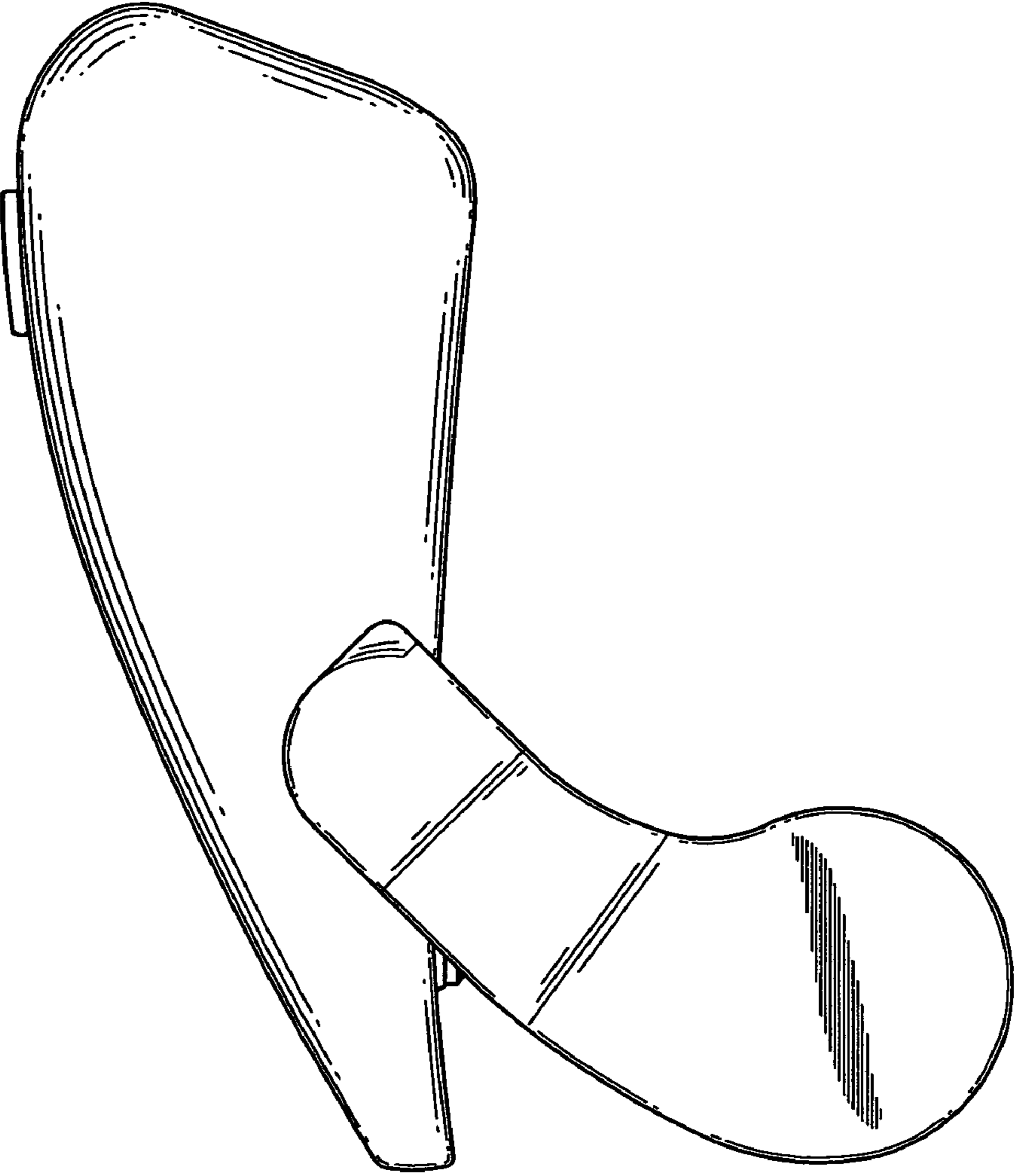


Fig. 7

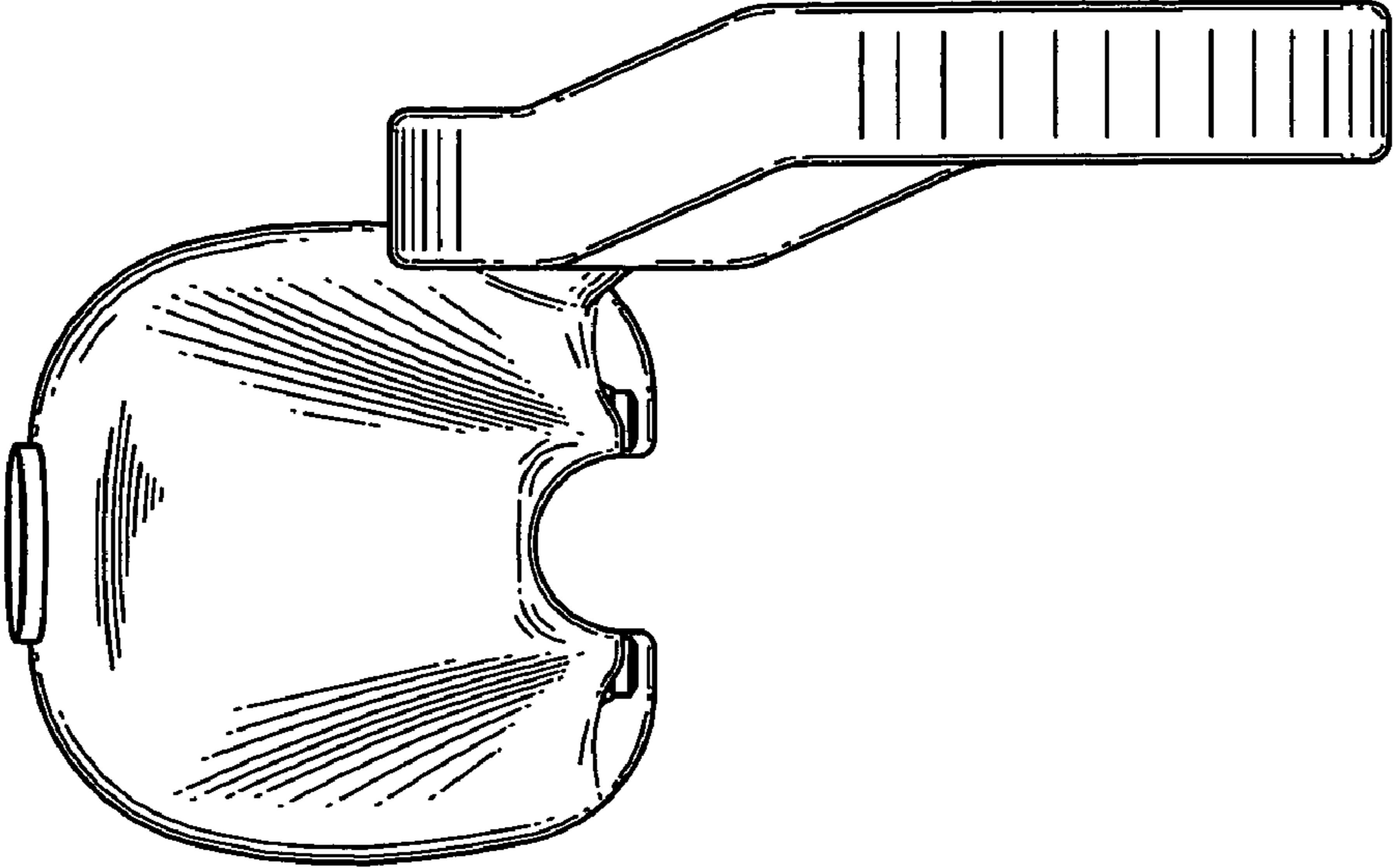


Fig. 6

